



US00D482339S

(12) **United States Design Patent**  
**Yin et al.**

(10) **Patent No.:** **US D482,339 S**

(45) **Date of Patent:** **\*\* Nov. 18, 2003**

(54) **LCD TELEVISION/MONITOR**

D458,910 S \* 6/2002 Kita ..... D14/126

(75) Inventors: **Chun-Hsiung Yin**, Yungkang (TW);  
**Chien-Jui Wang**, Taipei (TW)

\* cited by examiner

*Primary Examiner*—Raphael Barkai

(73) Assignee: **BenQ Corporation**, Taoyuan (TW)

(74) *Attorney, Agent, or Firm*—Ladas & Parry

(\*\*) Term: **14 Years**

(57) **CLAIM**

The ornamental design for a LCD television/monitor, as shown and described.

(21) Appl. No.: **29/170,647**

(22) Filed: **Nov. 7, 2002**

**DESCRIPTION**

(51) **LOC (7) Cl.** ..... **14-03**

FIG. 1 is a front perspective view thereof;

(52) **U.S. Cl.** ..... **D14/134; D14/126**

FIG. 2 is a right side elevational view thereof;

(58) **Field of Search** ..... D14/125–136,  
D14/239, 371, 374–375; D21/515; 312/7.2;  
348/836, 838, 180, 184, 325, 739; 345/905,  
194, 153, 168, 87, 173; 248/917–924; 341/12

FIG. 3 is a top plane view thereof;

FIG. 4 is a front elevational view thereof;

FIG. 5 is a bottom plane view thereof;

FIG. 6 is a left side elevational view thereof;

FIG. 7 is a rear elevational view thereof; and,

FIG. 8 is a rear perspective view.

(56) **References Cited**

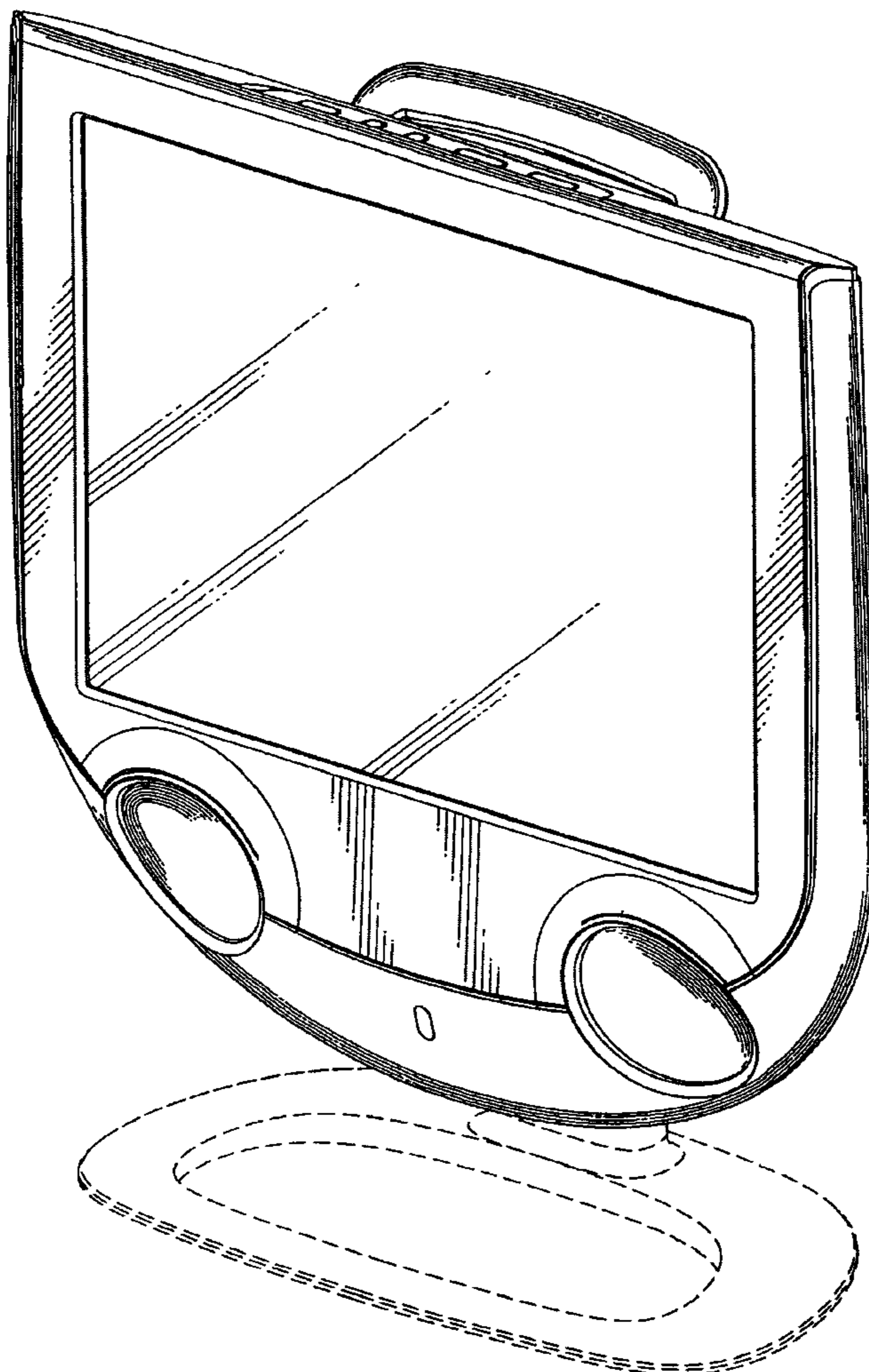
The broken lines shown in FIGS. 1–8 are for illustrative purposes only and form no part of the claimed design.

**U.S. PATENT DOCUMENTS**

D453,747 S \* 2/2002 Kita ..... D14/134

D456,049 S \* 4/2002 Hood ..... D21/515

**1 Claim, 8 Drawing Sheets**



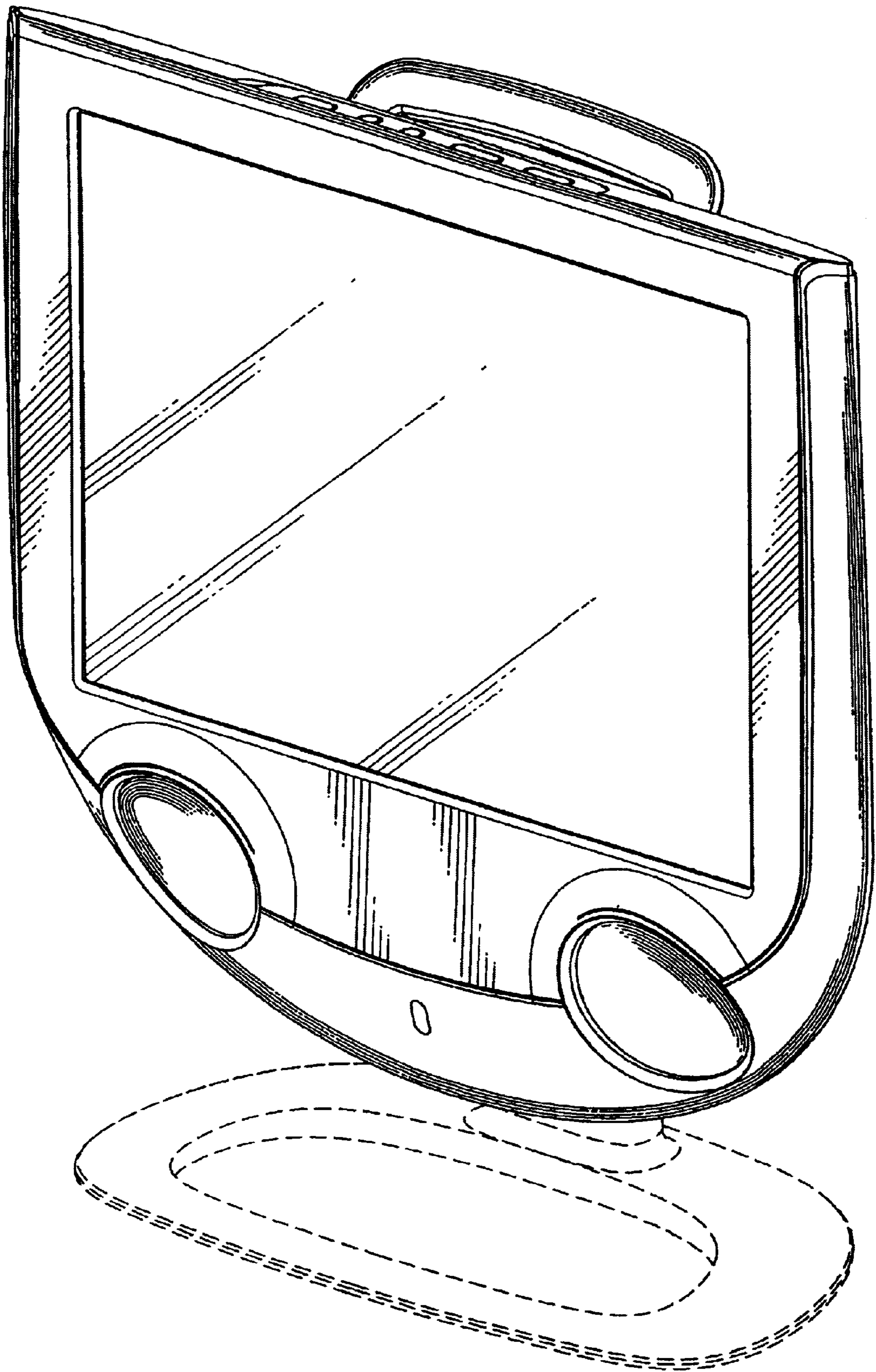


FIG. 1

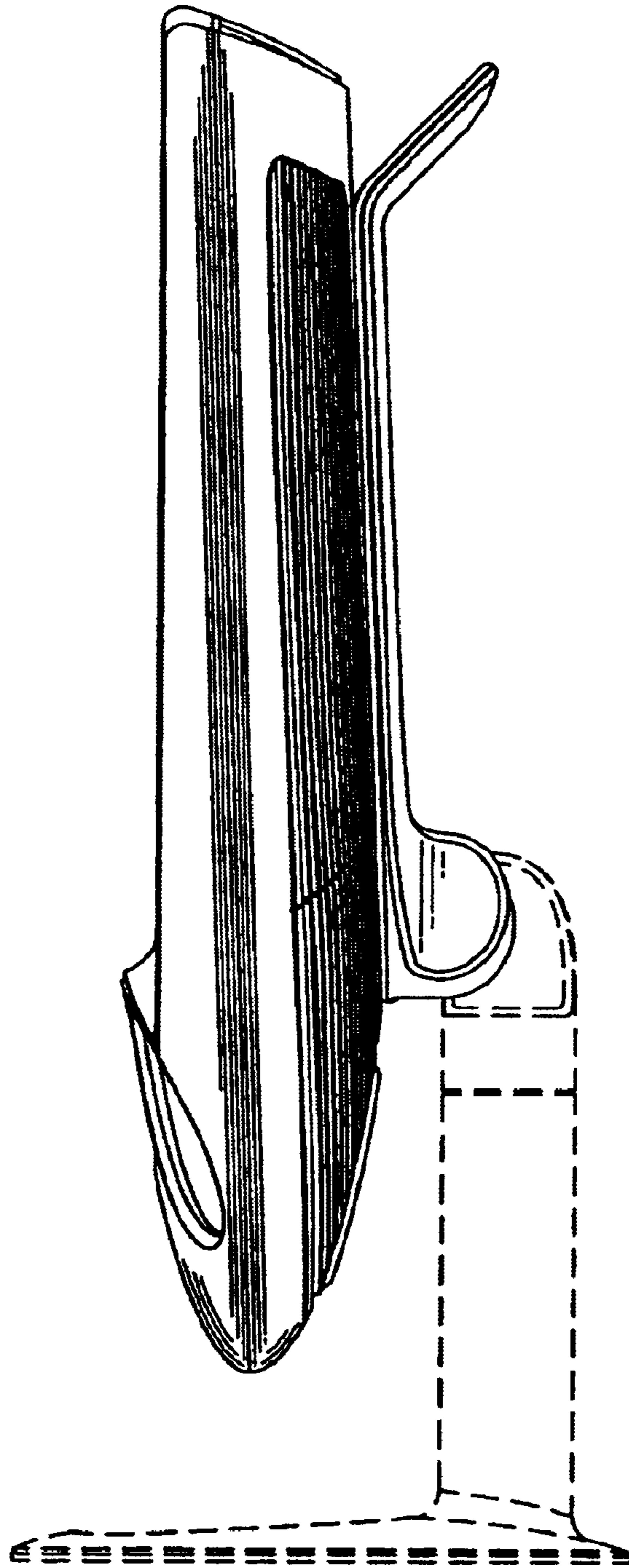


FIG. 2

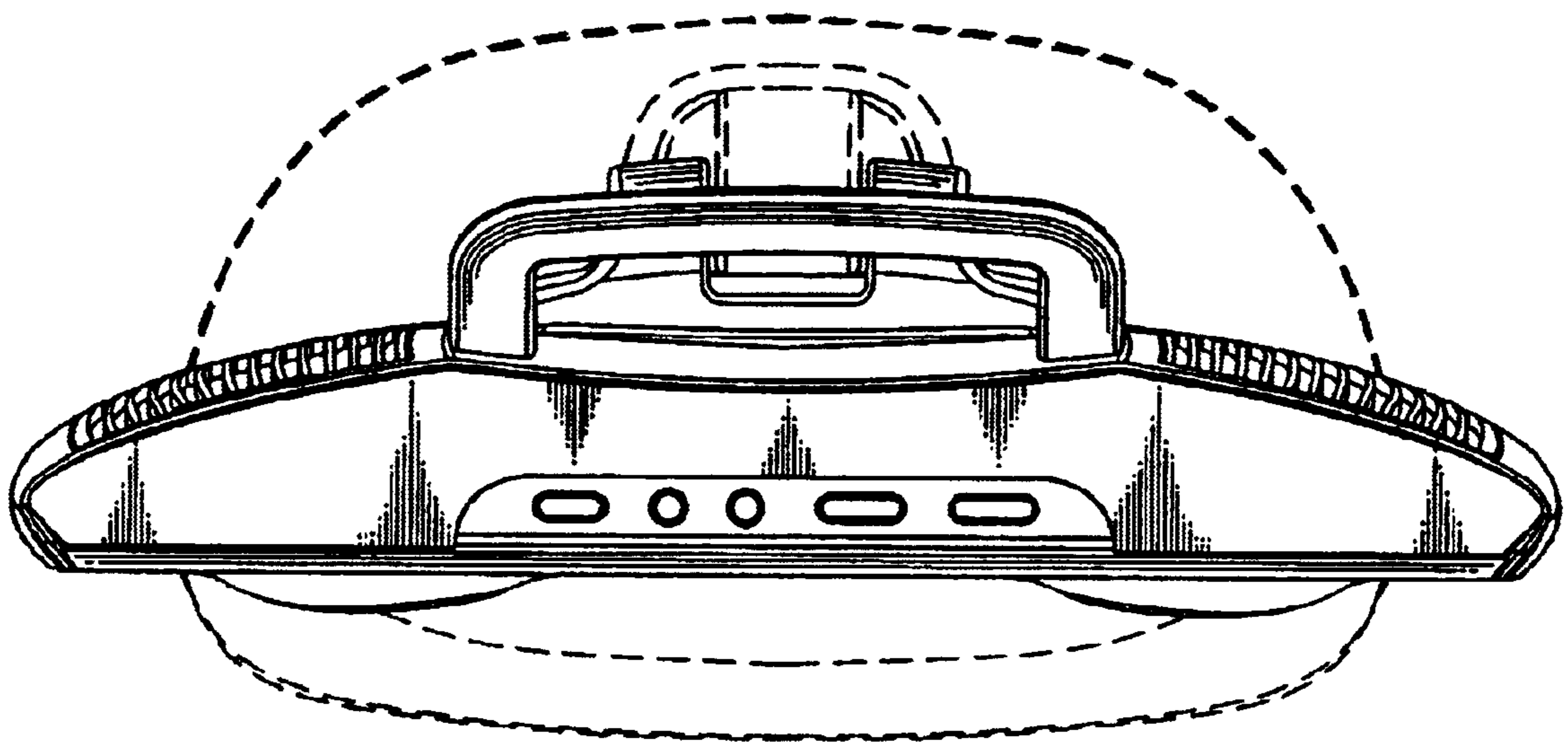


FIG. 3

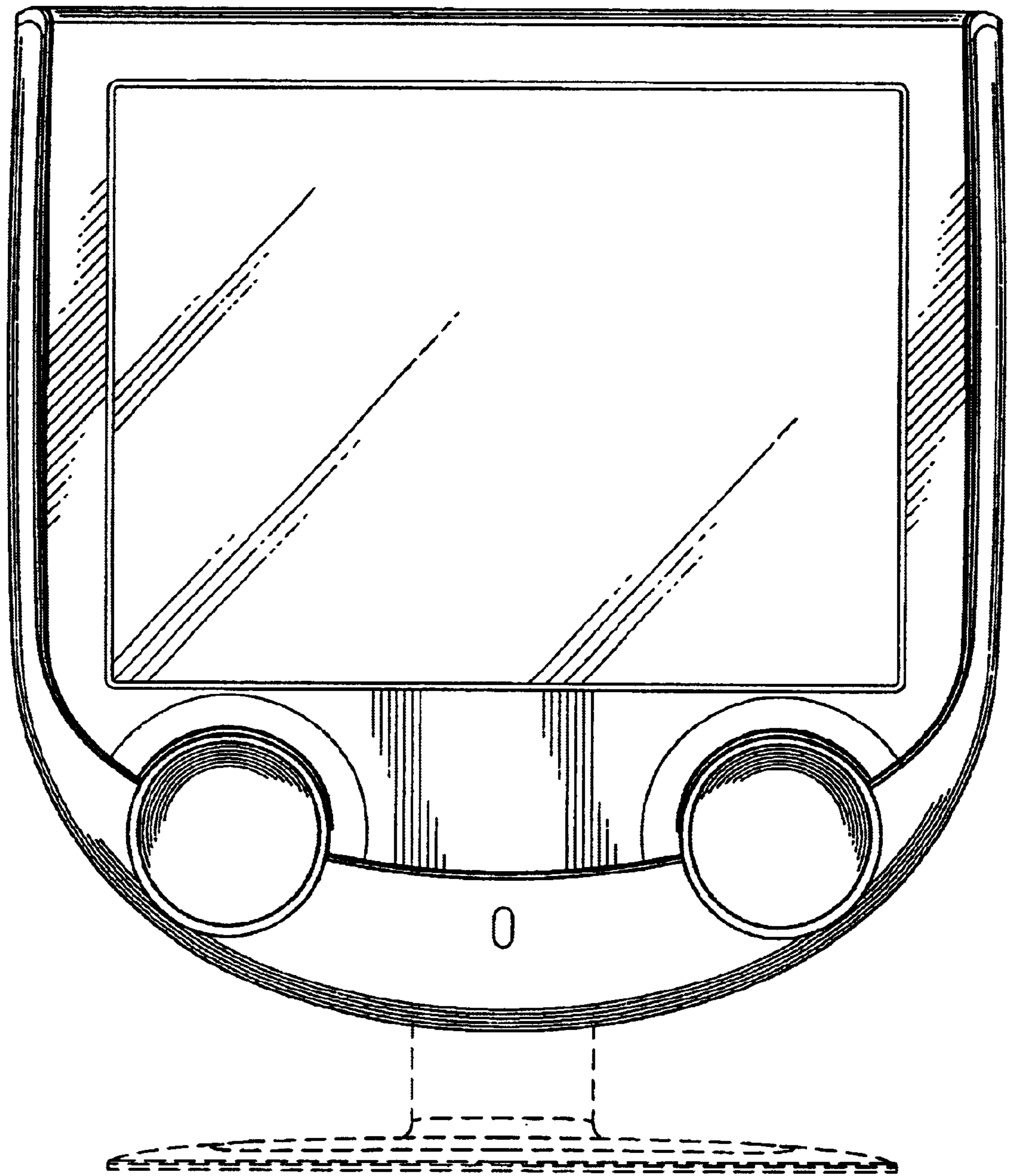


FIG. 4

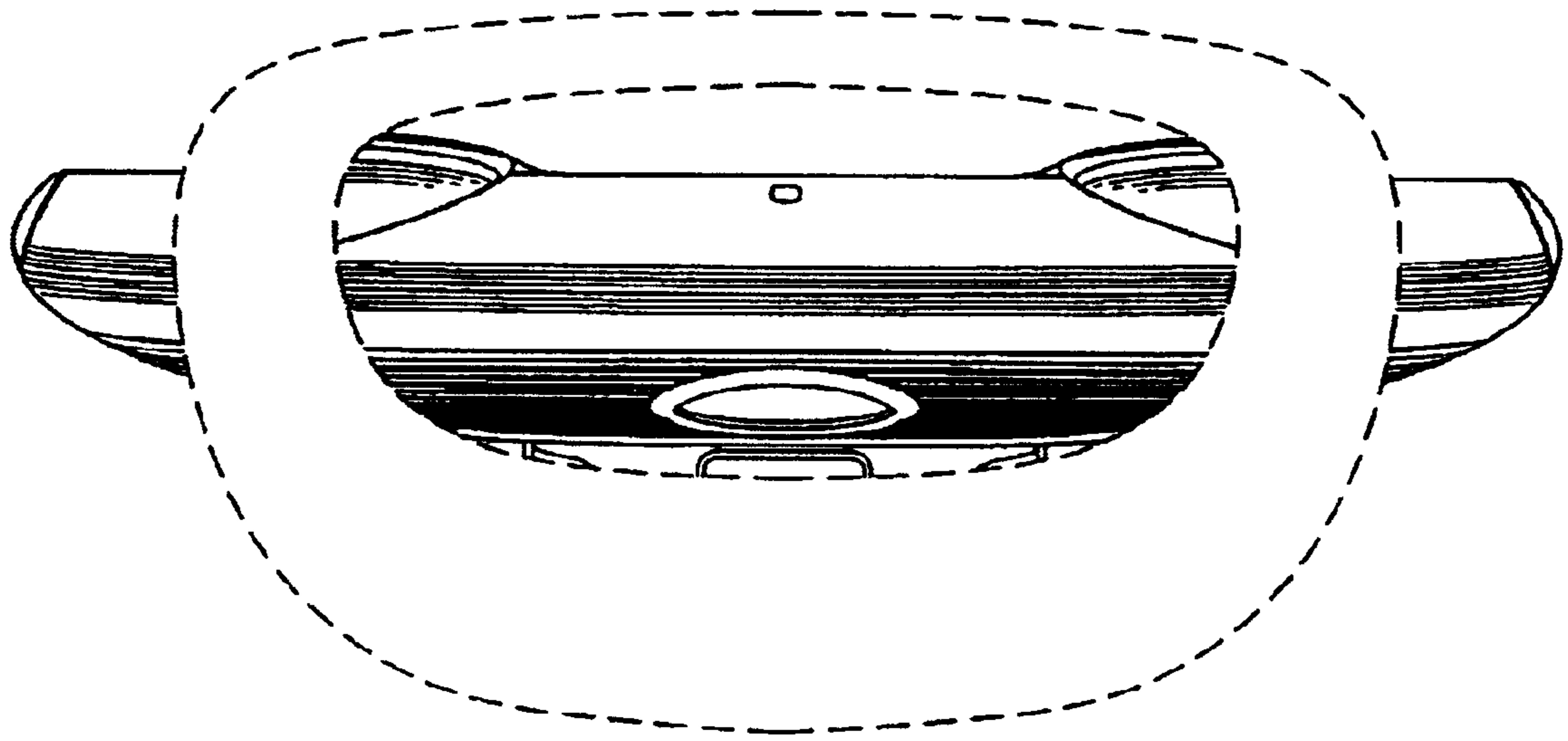


FIG. 5

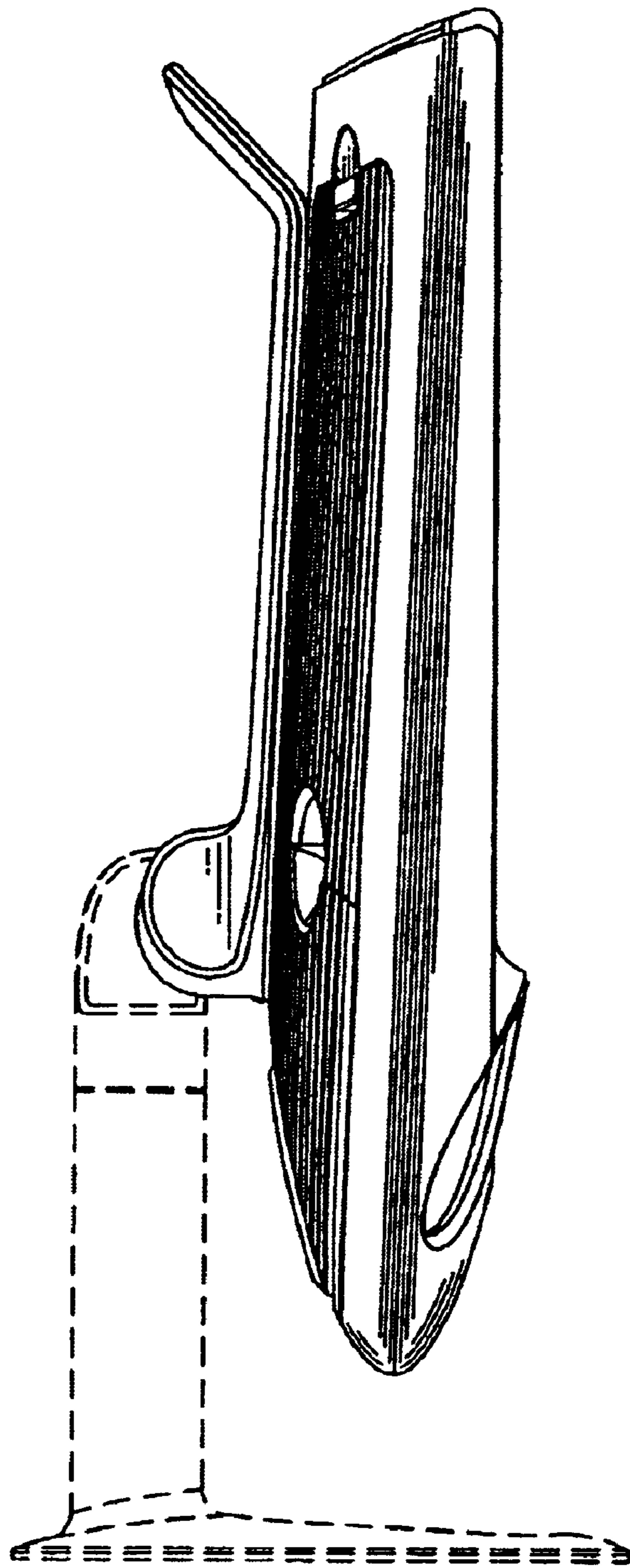


FIG. 6

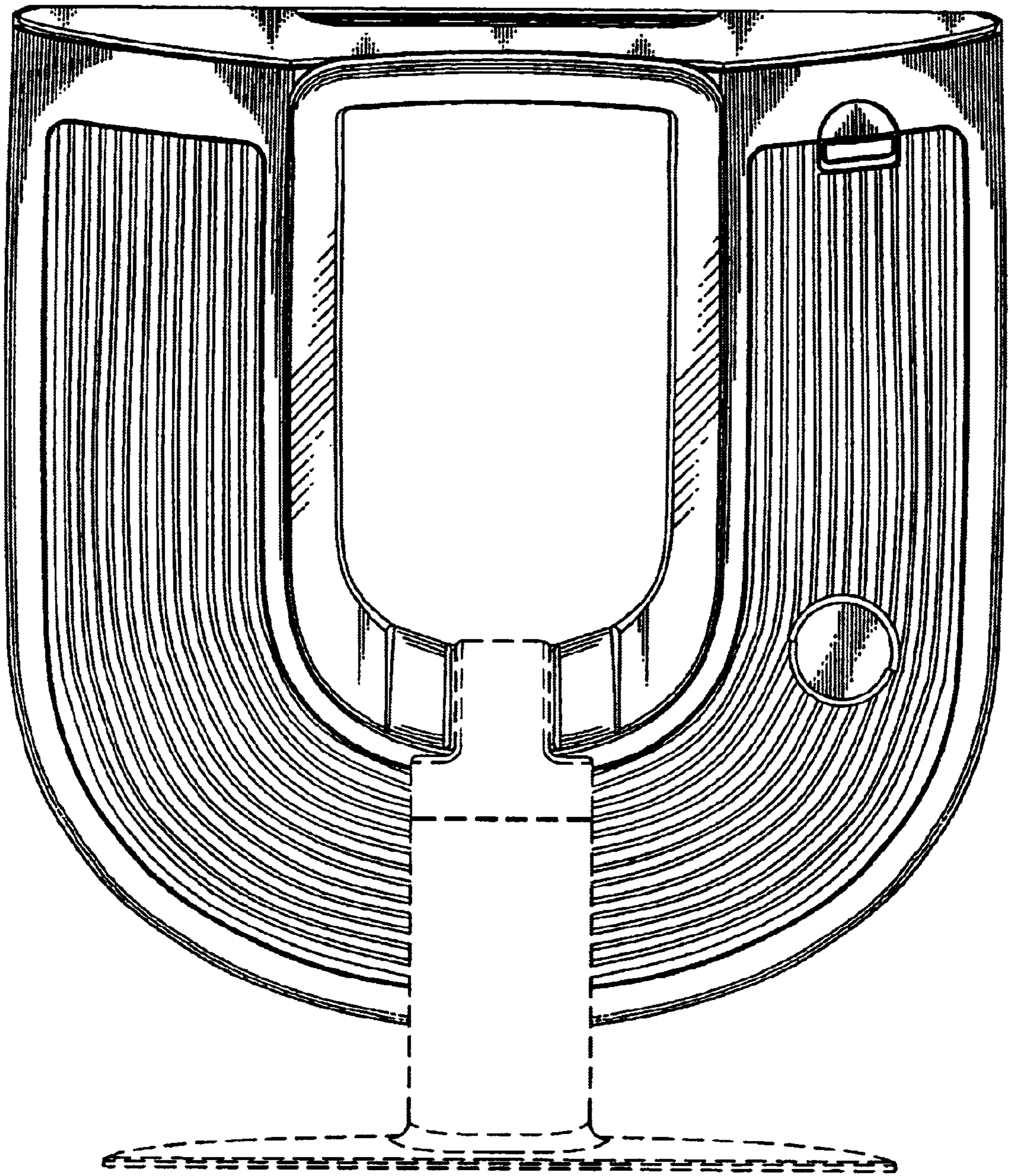


FIG. 7



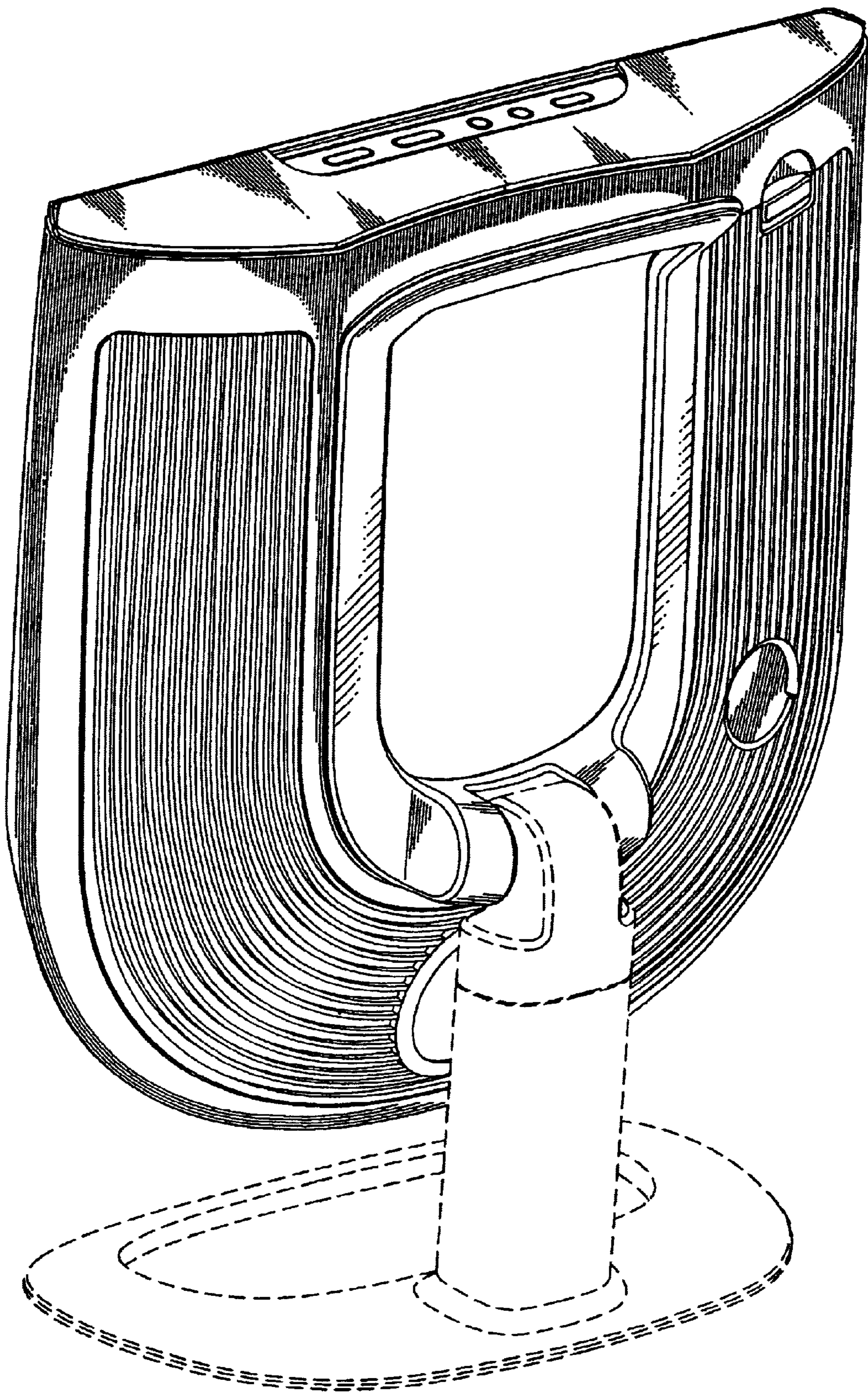


FIG. 8