



US00D482338S

(12) **United States Design Patent**
Kabasawa et al.

(10) **Patent No.: US D482,338 S**

(45) **Date of Patent: ** Nov. 18, 2003**

(54) **TELEVISION SET WITH OPTICAL DISC MEMORY**

Primary Examiner—Raphael Barkai
(74) *Attorney, Agent, or Firm*—Kanesaka & Takeuchi

(75) Inventors: **Hidetoshi Kabasawa**, Tokyo (JP);
Kenichi Ohtaka, Tokyo (JP)

(57) **CLAIM**

The ornamental design for a television set with optical disc memory, as shown and described.

(73) Assignee: **TEAC Corporation**, Tokyo (JP)

(**) Term: **14 Years**

DESCRIPTION

(21) Appl. No.: **29/165,949**

(22) Filed: **Jun. 27, 2002**

(30) **Foreign Application Priority Data**

Dec. 28, 2001	(JP)	2001-038998
Dec. 28, 2001	(JP)	2001-039001
Dec. 28, 2001	(JP)	2001-039002
Dec. 28, 2001	(JP)	2001-039003
Dec. 28, 2001	(JP)	2001-039004
Dec. 28, 2001	(JP)	2001-039005

FIG. 1 is a front view of a television set with optical disc memory showing our new design;
 FIG. 2 is a top plan view thereof;
 FIG. 3 is a bottom plan view thereof;
 FIG. 4 is a left side view thereof;
 FIG. 5 is a right side view thereof;
 FIG. 6 is a rear view thereof;
 FIG. 7 is a perspective view thereof;
 FIG. 8 is a perspective view thereof in a state that a tray of the optical disc memory is drawn out;
 FIG. 9 is a right side view of a first modified example of the television set with optical disc memory;
 FIG. 10 is a perspective view of FIG. 9;
 FIG. 11 is a right side view of a second modified example of the television set with optical disc memory;
 FIG. 12 is a perspective view of FIG. 11;
 FIG. 13 is a right side view of a third modified example of the television set with optical disc memory;
 FIG. 14 is a perspective view of FIG. 13;
 FIG. 15 is a right side view of a fourth modified example of the television set with optical disc memory;
 FIG. 16 is a perspective view of FIG. 15;
 FIG. 17 is a right side view of a fifth modified example of the television set with optical disc memory; and,
 FIG. 18 is a perspective view of FIG. 16.
 The broken lines shown in FIGS. 1–18 are for illustrative purposes only and form no part of the claimed design.

(51) **LOC (7) Cl.** **14-03**

(52) **U.S. Cl.** **D14/129**

(58) **Field of Search** D14/156, 371,
D14/125–134; D19/59–60; 312/7.2; 348/836,
837, 838, 552

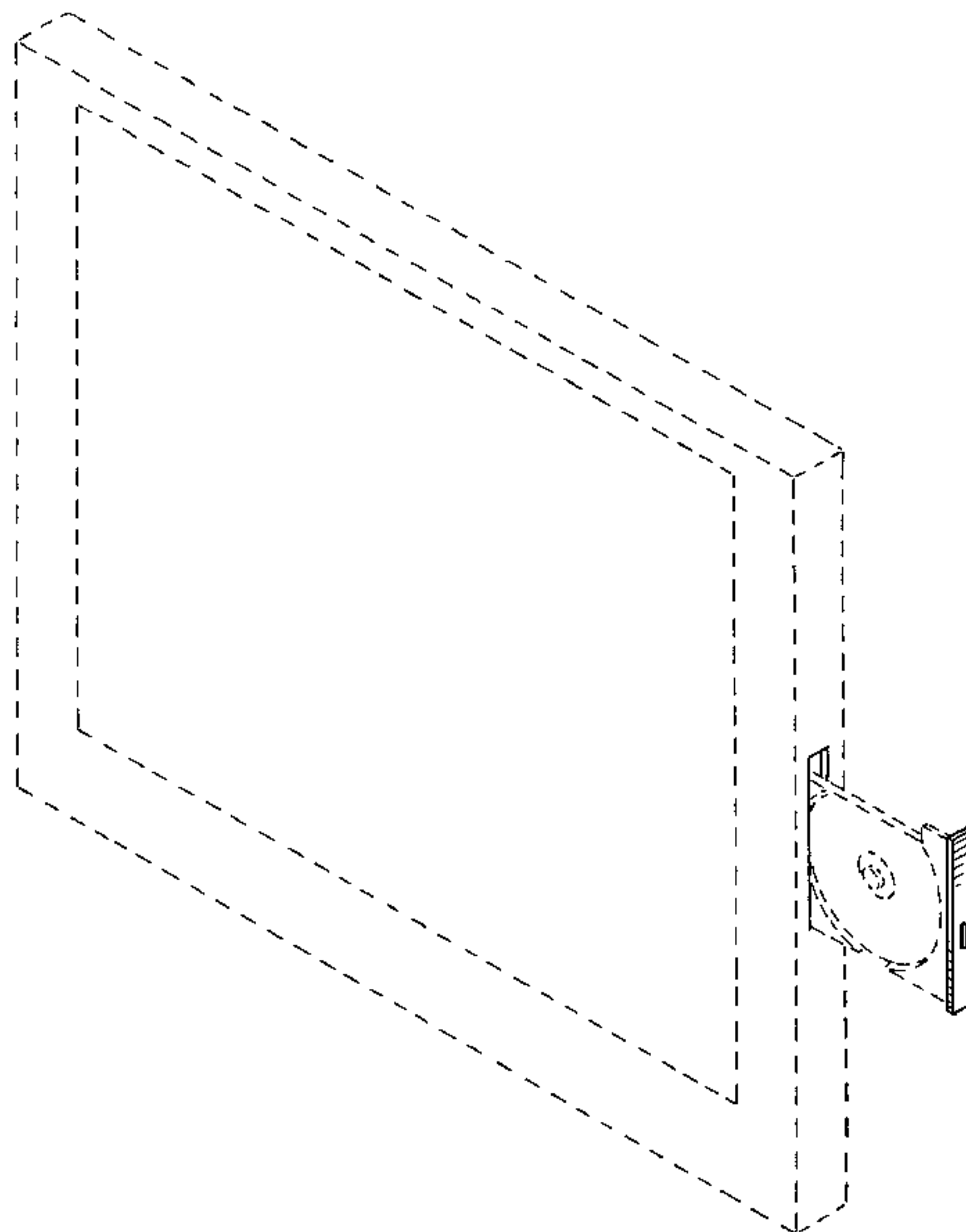
(56) **References Cited**

U.S. PATENT DOCUMENTS

D312,249	S	*	11/1990	Sugano et al.	D14/324
D331,570	S	*	12/1992	Koiwa	D14/354
5,179,447	A	*	1/1993	Lain	348/837
D363,714	S	*	10/1995	Onoda et al.	D14/129
D416,014	S	*	11/1999	Nara	D14/129
D442,154	S	*	5/2001	Watanabe	D14/129
6,353,533	B1	*	3/2002	Ganthier et al.	312/223.2
6,473,138	B1	*	10/2002	Fenner et al.	312/7.2

* cited by examiner

1 Claim, 10 Drawing Sheets



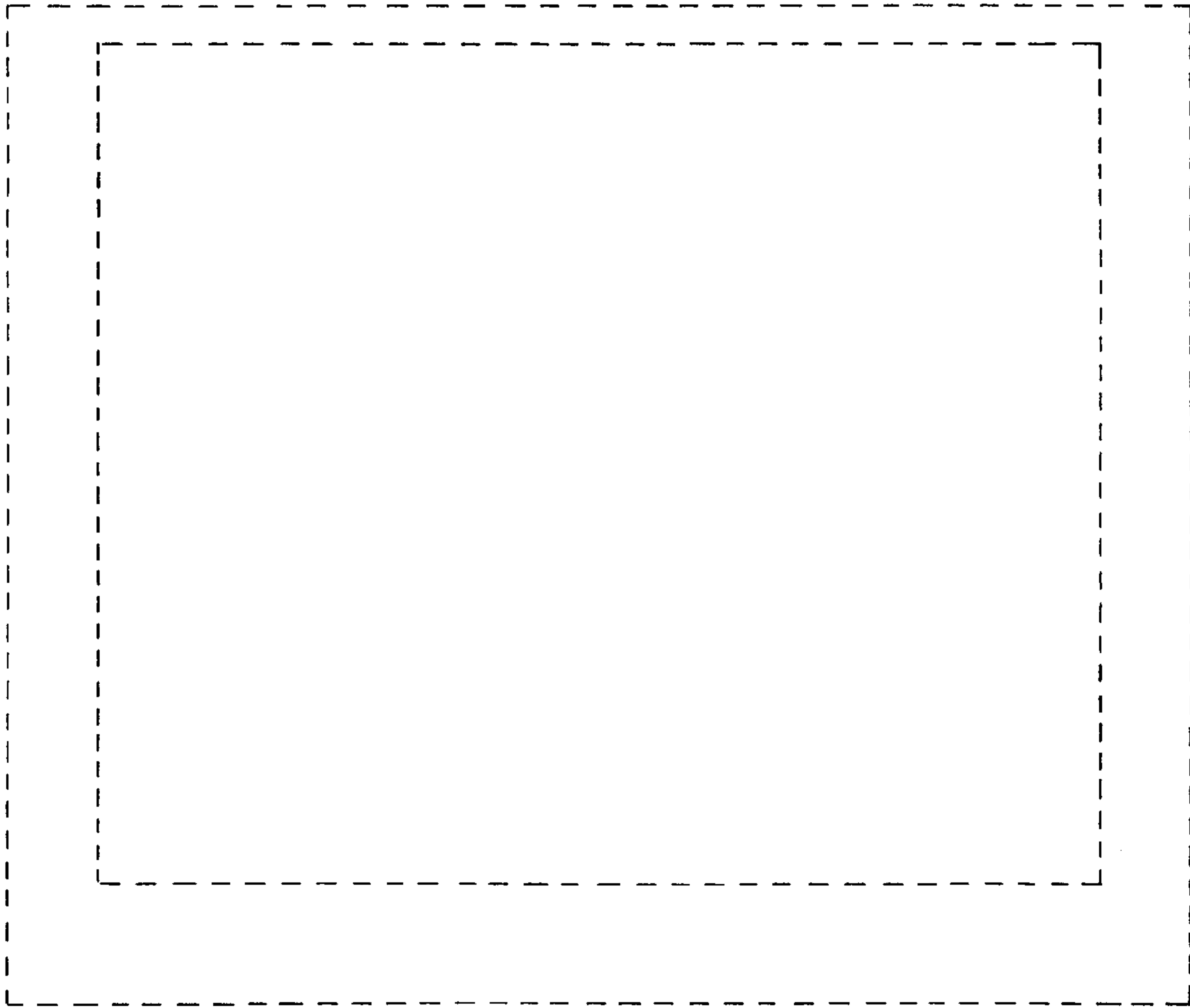


FIG. 1

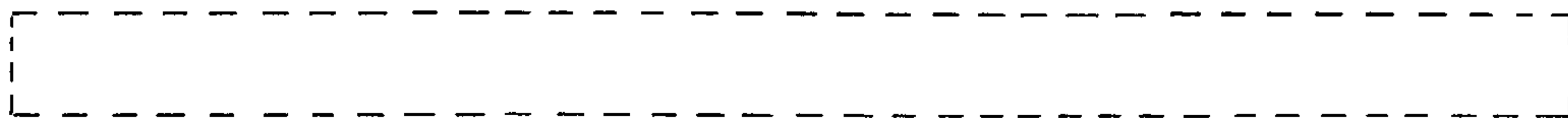


FIG. 2

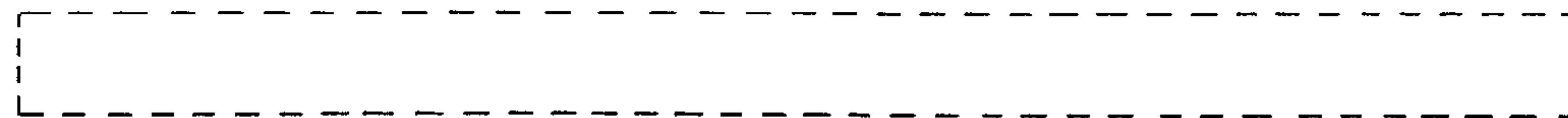


FIG. 3

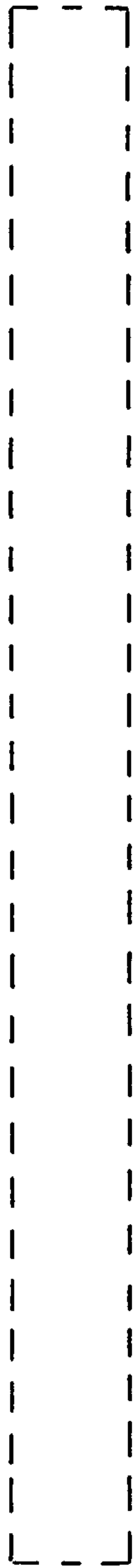


FIG. 4

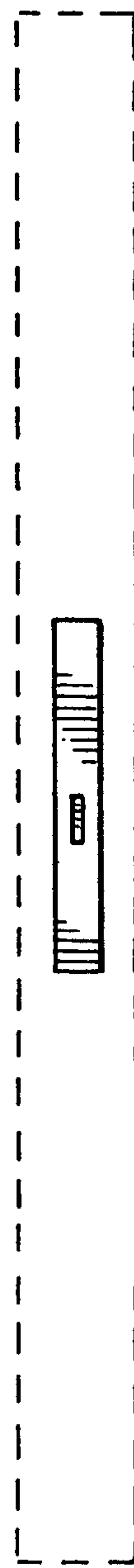


FIG. 5



FIG. 6

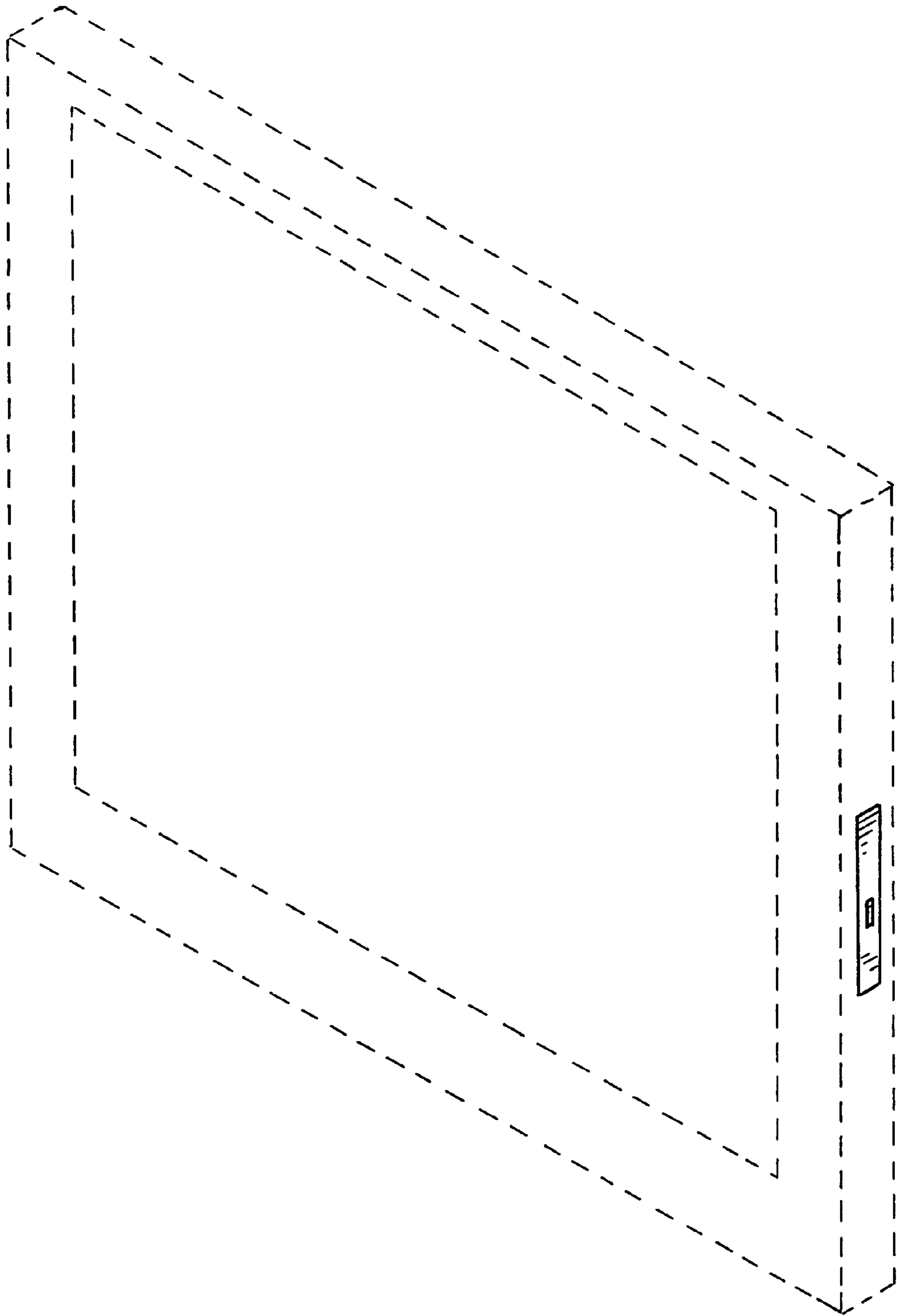


FIG. 7

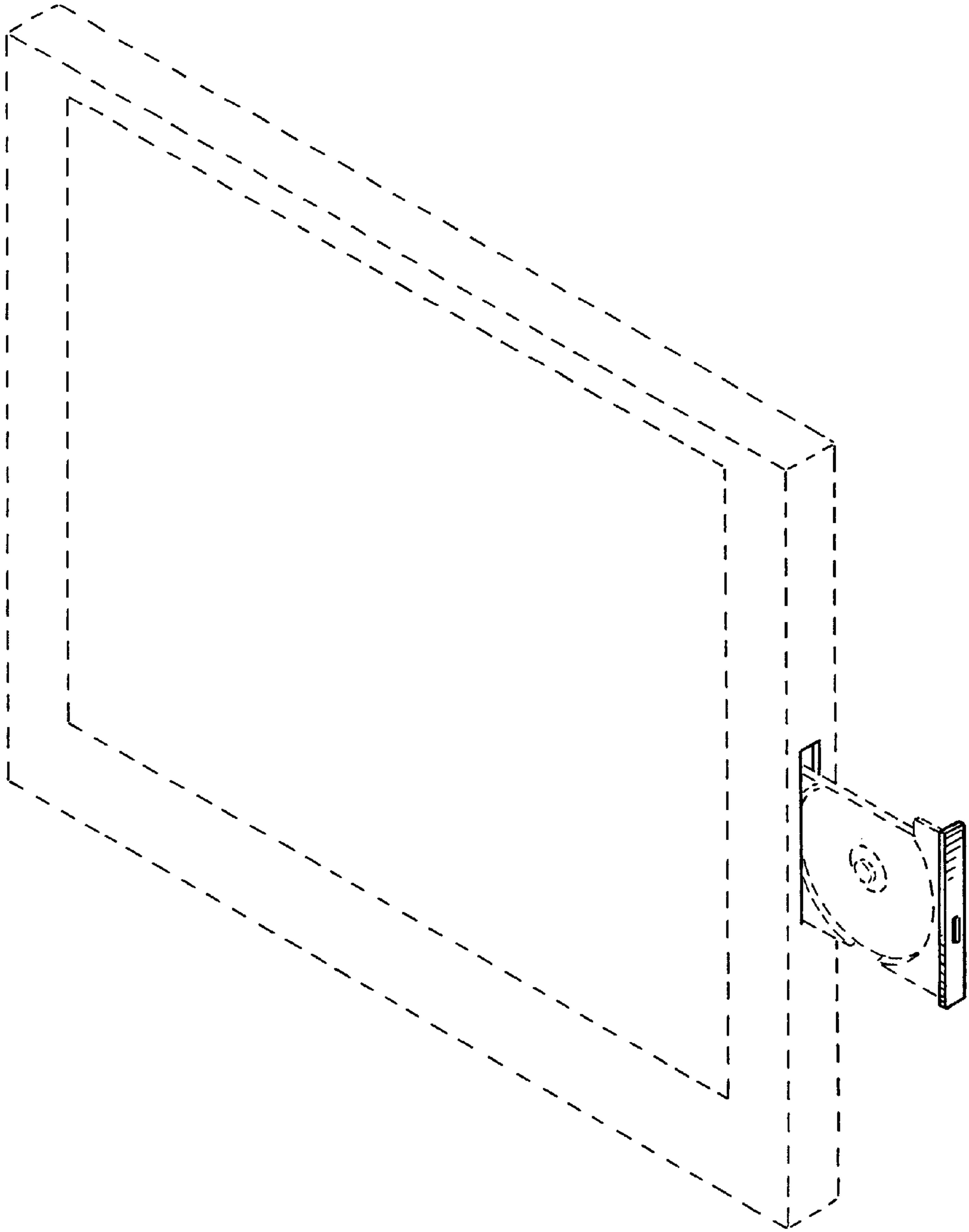


FIG. 8

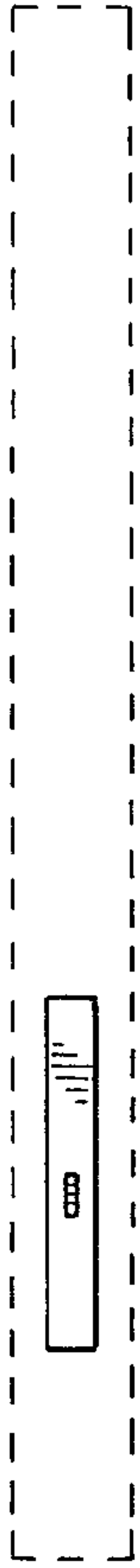


FIG. 9

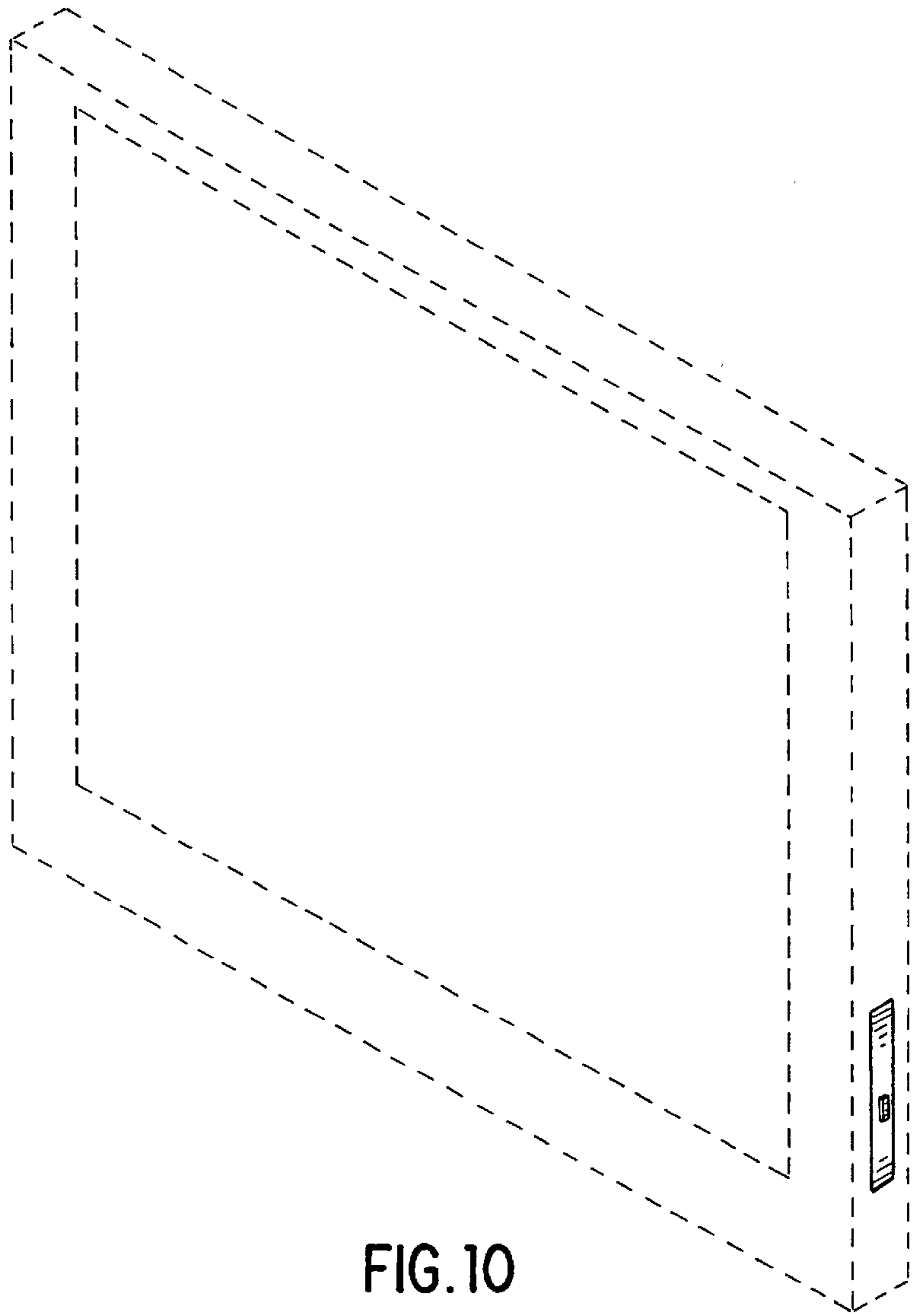


FIG. 10



FIG. 11

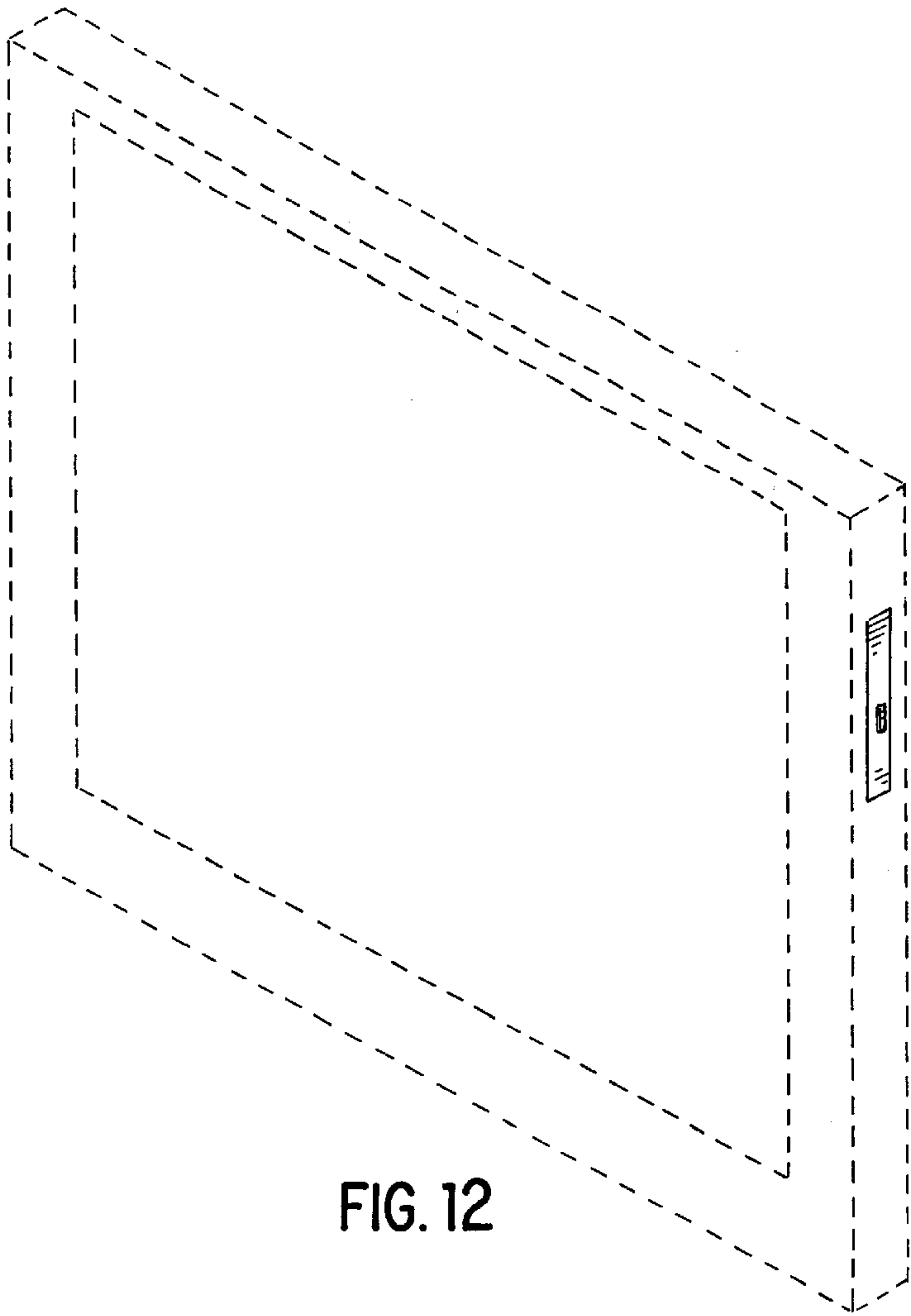


FIG. 12

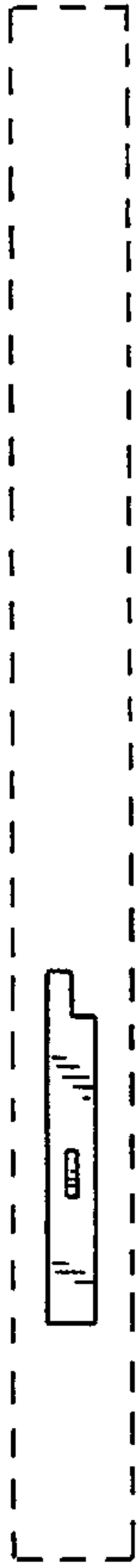


FIG. 13

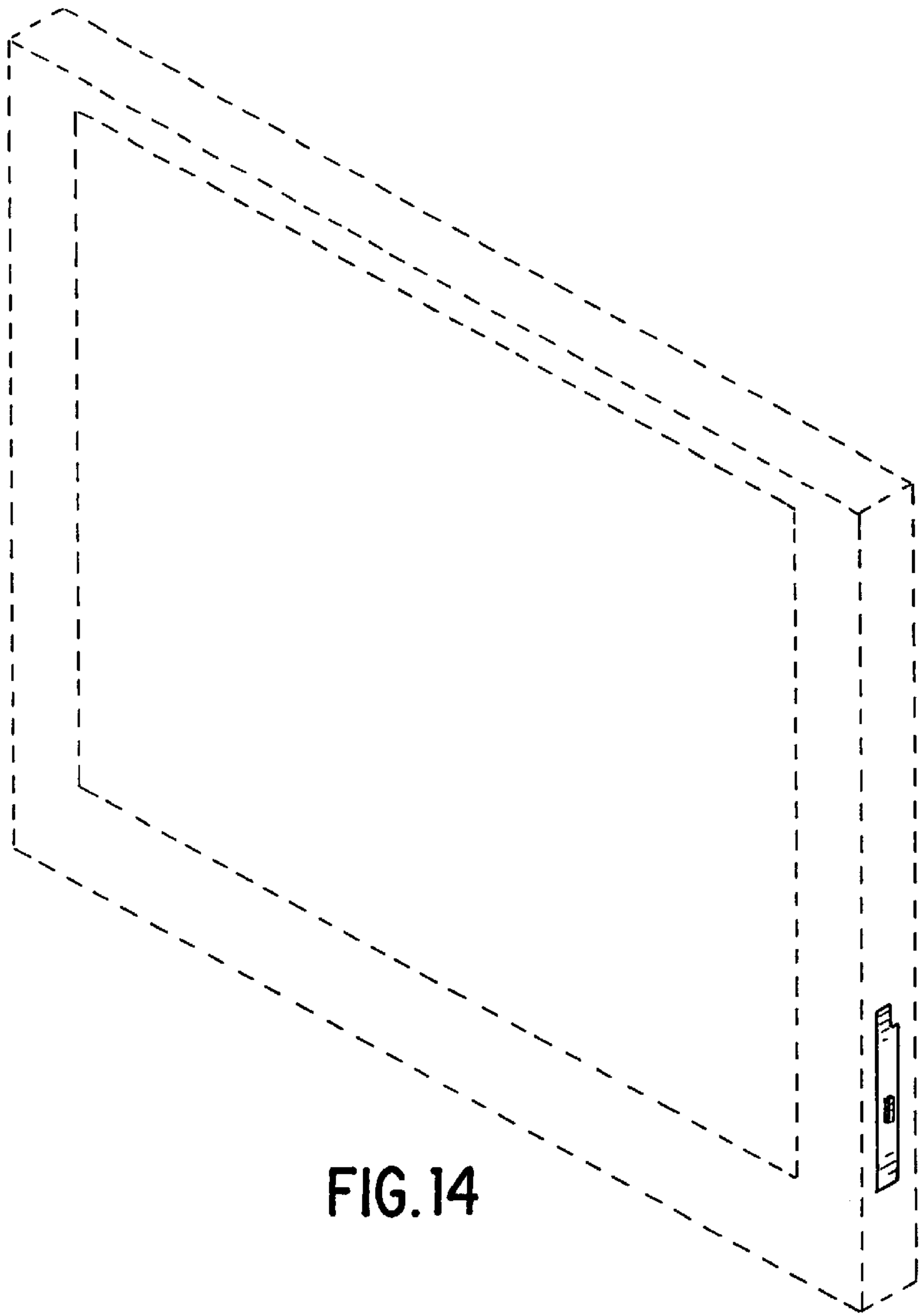


FIG. 14



FIG. 15

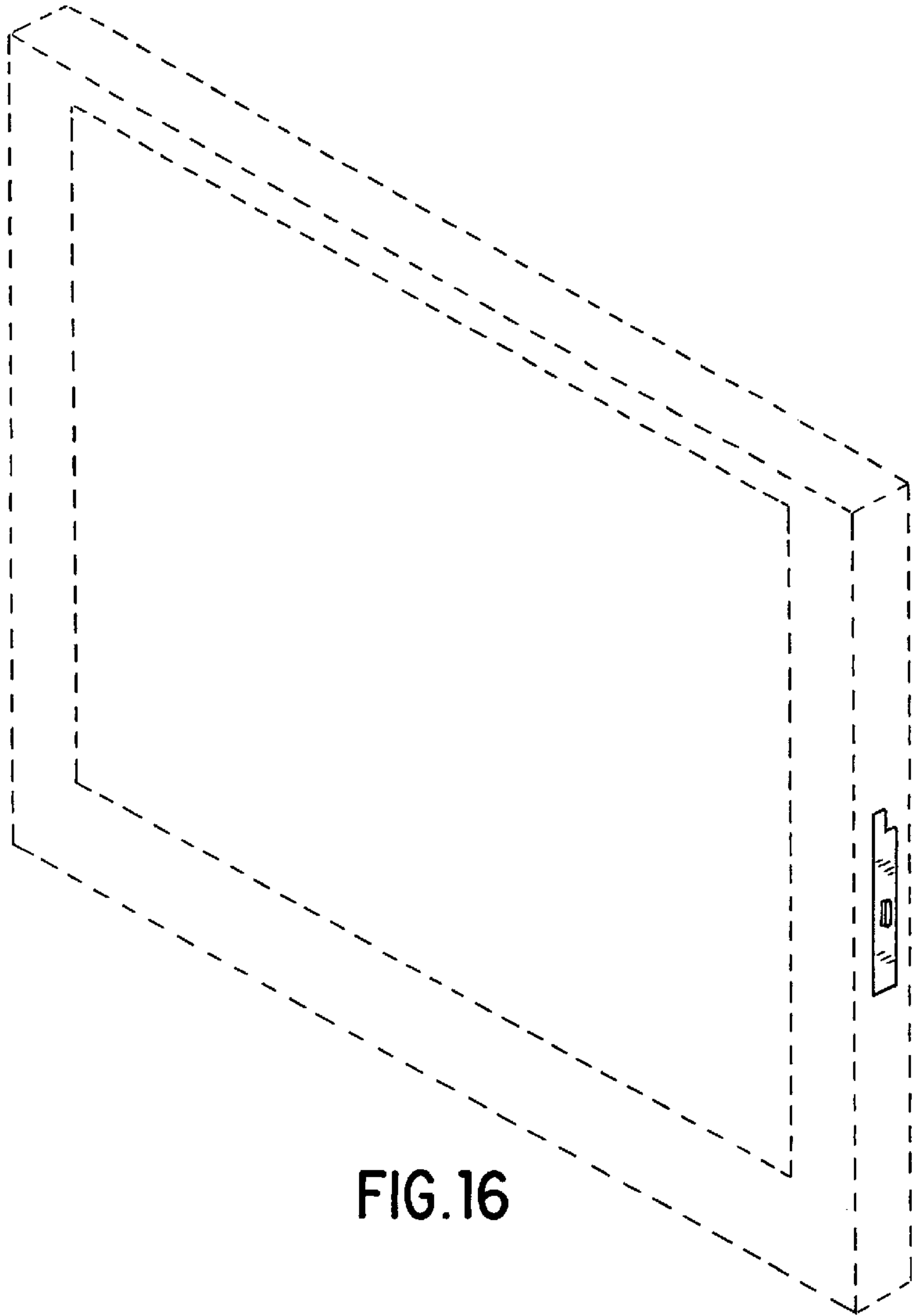


FIG. 16



FIG. 17

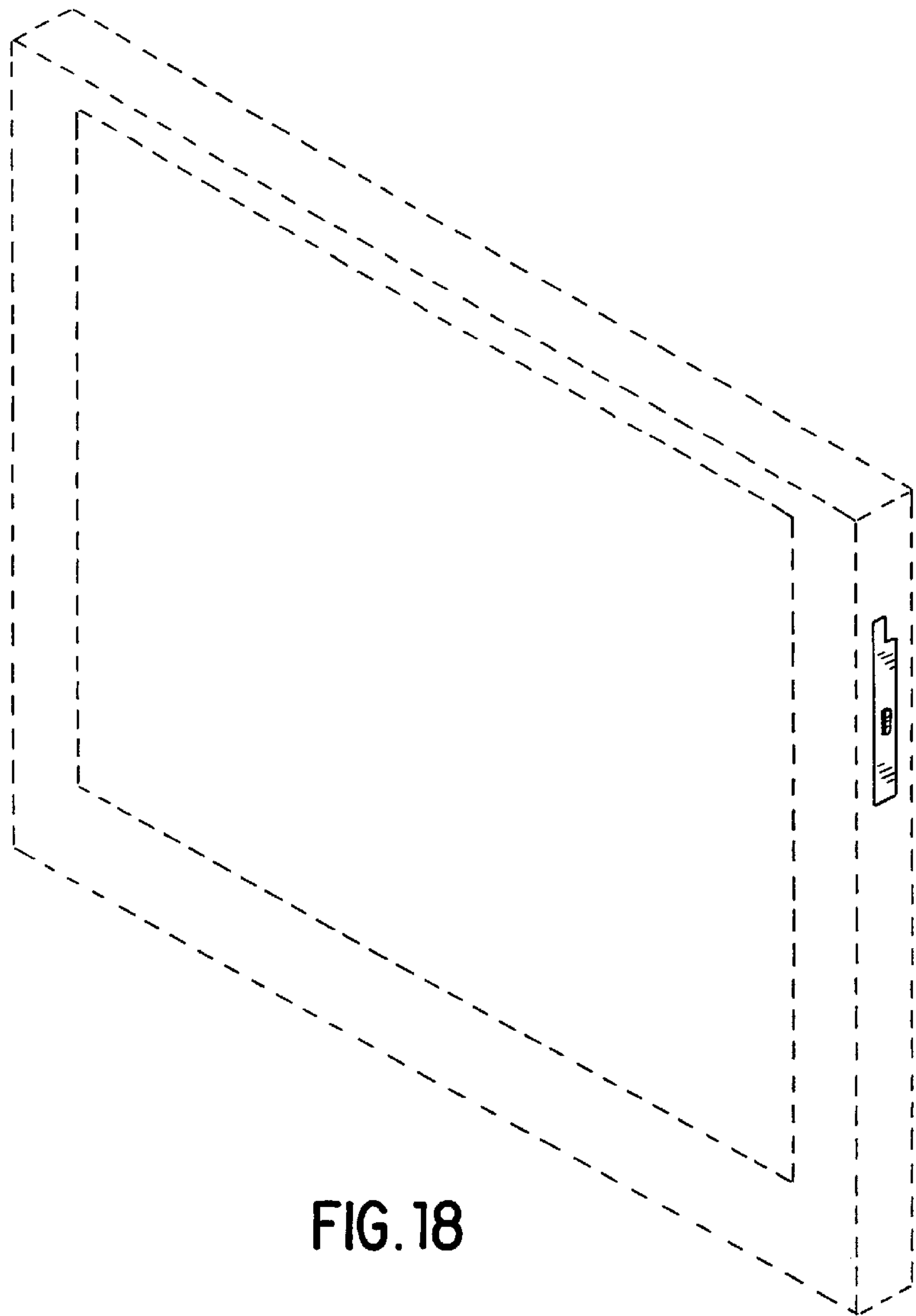


FIG. 18