



US00D482337S

(12) **United States Design Patent**  
**Kamada**

(10) **Patent No.:** **US D482,337 S**

(45) **Date of Patent:** **\*\* Nov. 18, 2003**

(54) **LIGHT EMITTING DIODE (LED)**

6,450,663 B1 \* 9/2002 Reinbach ..... 362/249

(75) Inventor: **Kazuhiro Kamada**, Tokushima-ken  
(JP)

(73) Assignee: **Nichia Corporation**, Anan (JP)

(\*\*) Term: **14 Years**

(21) Appl. No.: **29/163,058**

(22) Filed: **Jun. 27, 2002**

(30) **Foreign Application Priority Data**

Dec. 28, 2001	(JP)	.....	2001-038909
Dec. 28, 2001	(JP)	.....	2001-038910
Dec. 28, 2001	(JP)	.....	2001-038911
Dec. 28, 2001	(JP)	.....	2001-038912
Dec. 28, 2001	(JP)	.....	2001-038913
Dec. 28, 2001	(JP)	.....	2001-038914
Dec. 28, 2001	(JP)	.....	2001-038915
Dec. 28, 2001	(JP)	.....	2001-038916
Dec. 28, 2001	(JP)	.....	2001-038917
Dec. 28, 2001	(JP)	.....	2001-038918

(51) **LOC (7) Cl.** ..... **13-99**

(52) **U.S. Cl.** ..... **D13/182**

(58) **Field of Search** ..... D10/104, 106;  
D13/180, 182; D26/2, 37; 257/88, 89, 93-96;  
313/161; 345/39, 46, 82, 84; 361/820, 800

(56) **References Cited**

**U.S. PATENT DOCUMENTS**

3,783,353	A	*	1/1974	Pankove	.....	257/76
4,127,792	A	*	11/1978	Nakata	.....	313/500
5,226,053	A	*	7/1993	Cho et al.	.....	372/45
5,534,718	A	*	7/1996	Chang	.....	257/98
RE36,614	E	*	3/2000	Lumbard et al.	.....	313/500
D432,095	S	*	10/2000	Seeger et al.	.....	D13/182
6,174,070	B1	*	1/2001	Takamura et al.	.....	362/183
D437,798	S	*	2/2001	Kiba et al.	.....	D10/104
D439,351	S	*	3/2001	Kiba et al.	.....	D26/37
6,386,733	B1	*	5/2002	Ohkohdo et al.	.....	362/249

**FOREIGN PATENT DOCUMENTS**

JP	D1095890	S	1/2001
JP	D1095891	S	1/2001
JP	D1106536	S	4/2001
JP	D1106839	S	4/2001
JP	D1106840	S	4/2001

**OTHER PUBLICATIONS**

Surface Mount Type LED –Light Emitting Diode–, Product Guide, May 2001, 6 pages, Cat. No. 01055K, Nichia Corporation, Japan.

\* cited by examiner

*Primary Examiner*—Ted Shooman

*Assistant Examiner*—Selina Sikder

(74) *Attorney, Agent, or Firm*—Smith Patent Office

(57) **CLAIM**

I claim the ornamental design for the light emitting diode (LED), as shown and described.

**DESCRIPTION**

FIG. 1 is a perspective view of a light emitting diode according to an embodiment of my new design;

FIG. 2 is a plan view of the light emitting diode according to the embodiment of FIG. 1;

FIG. 3 is a left view of the light emitting diode according to the embodiment of FIG. 1;

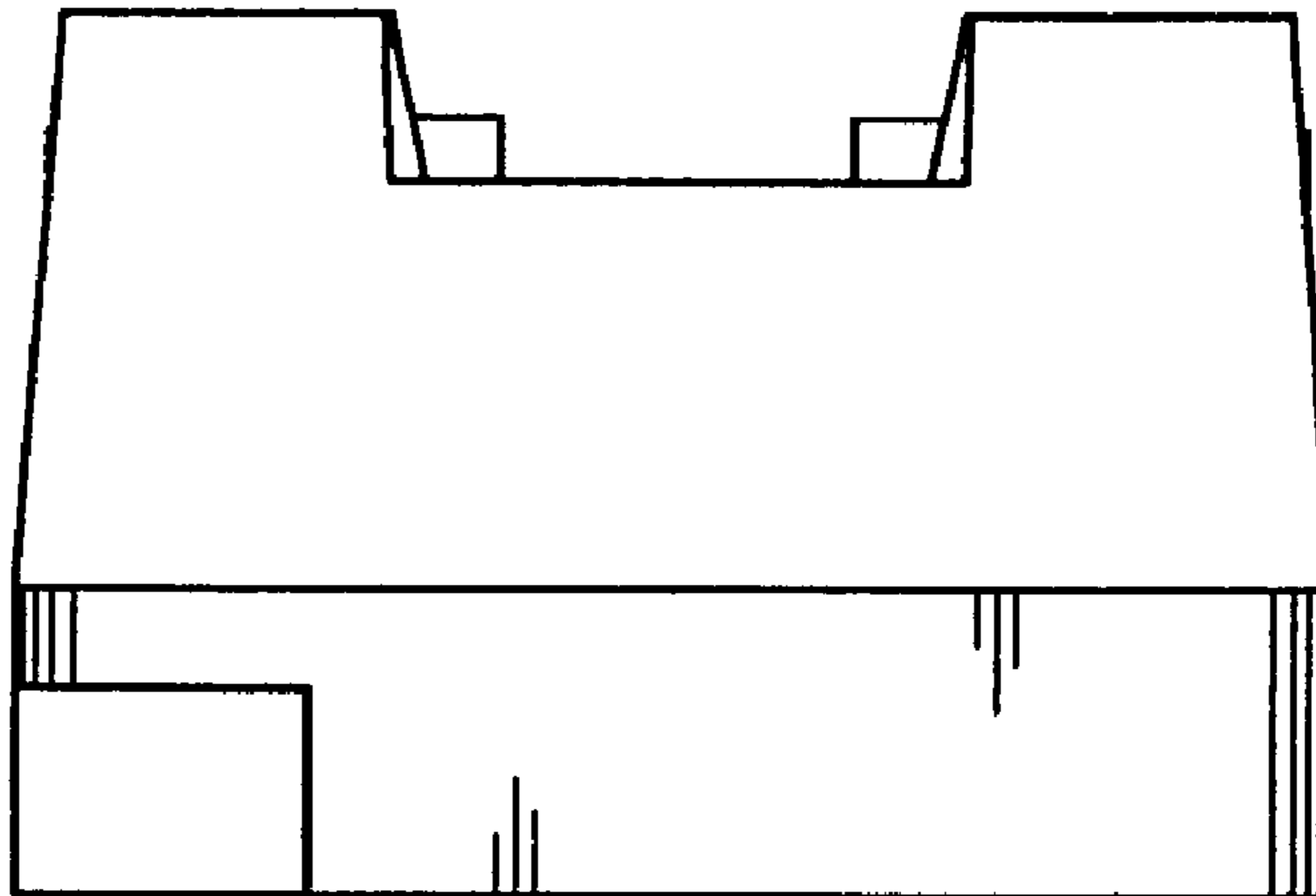
FIG. 4 is a front elevational view of the light emitting diode according to the embodiment of FIG. 1;

FIG. 5 is a right view of the light emitting diode according to the embodiment of FIG. 1;

FIG. 6 is a bottom plan view of the light emitting diode according to the embodiment of FIG. 1; and,

FIG. 7 is a rear view of the light emitting diode according to the embodiment of FIG. 1.

**1 Claim, 2 Drawing Sheets**



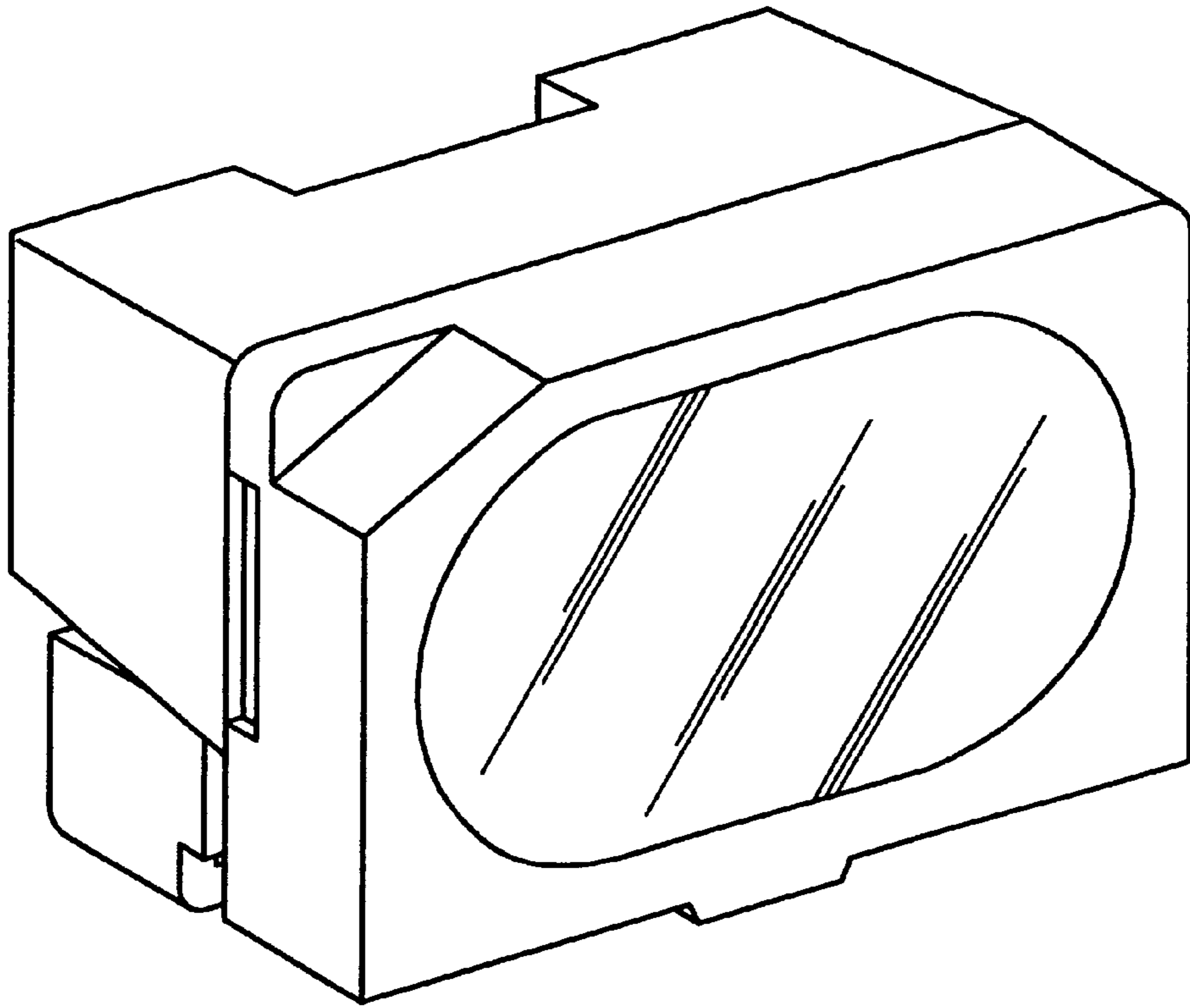


FIG. 1

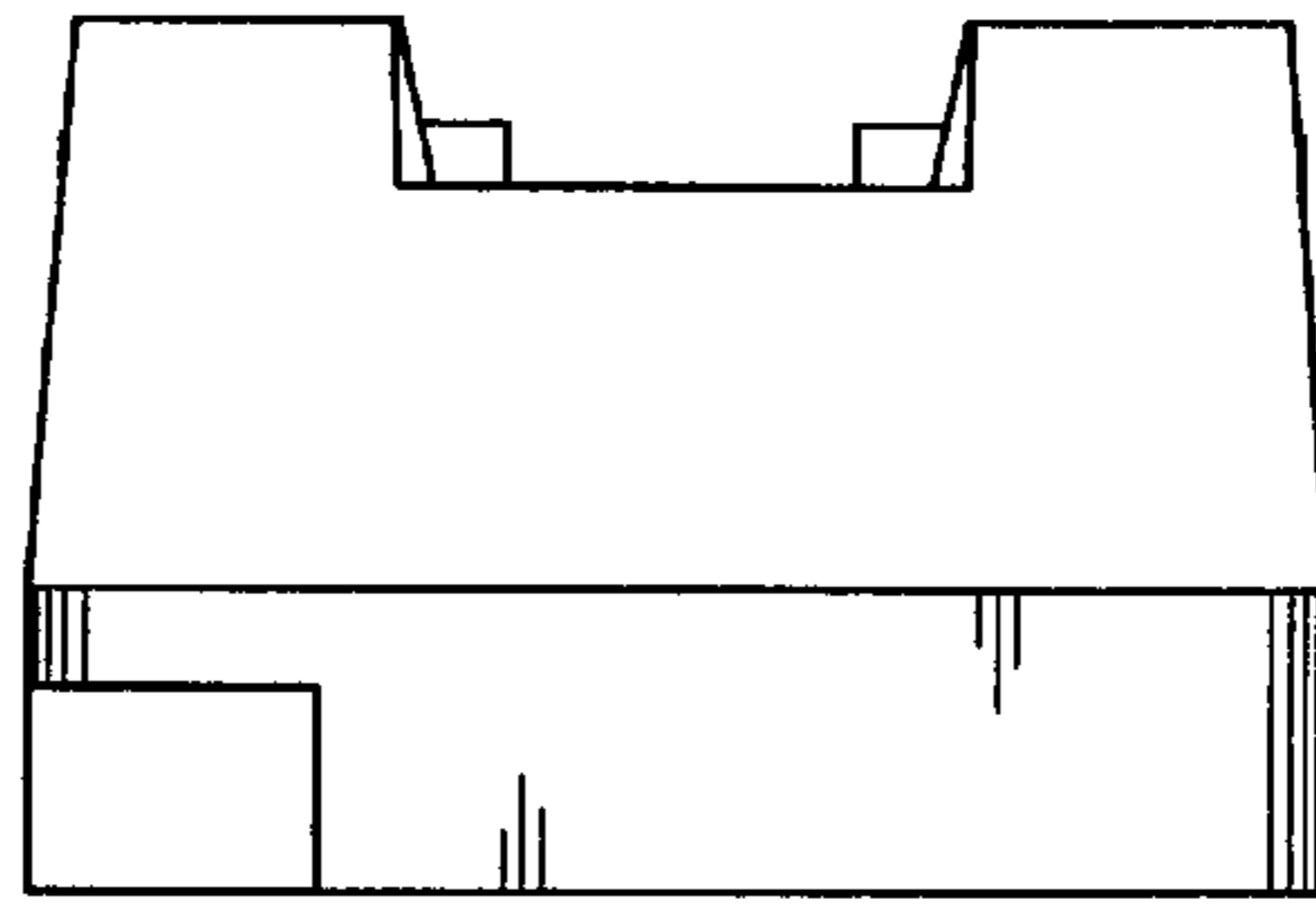


FIG. 2

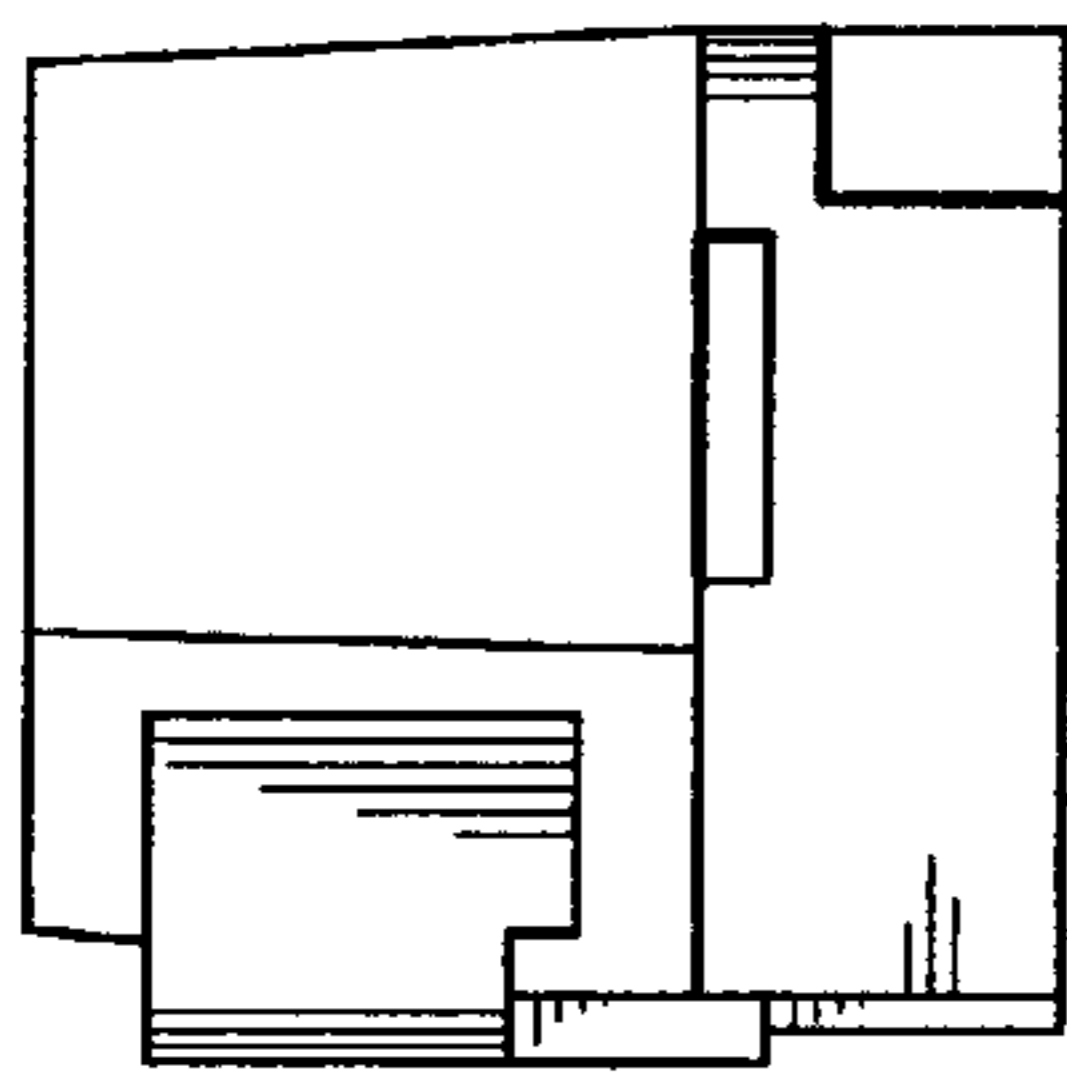


FIG. 3

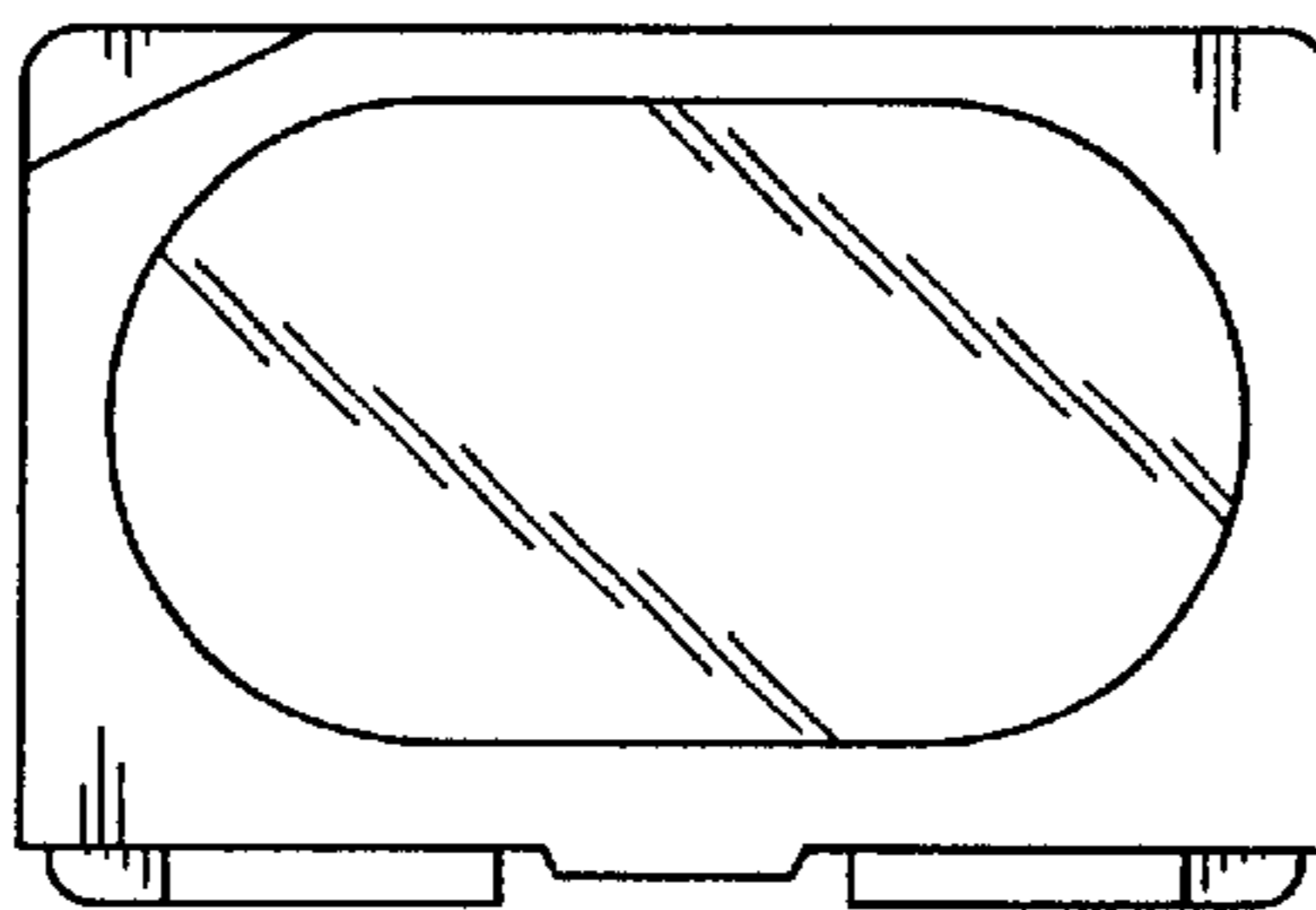


FIG. 4

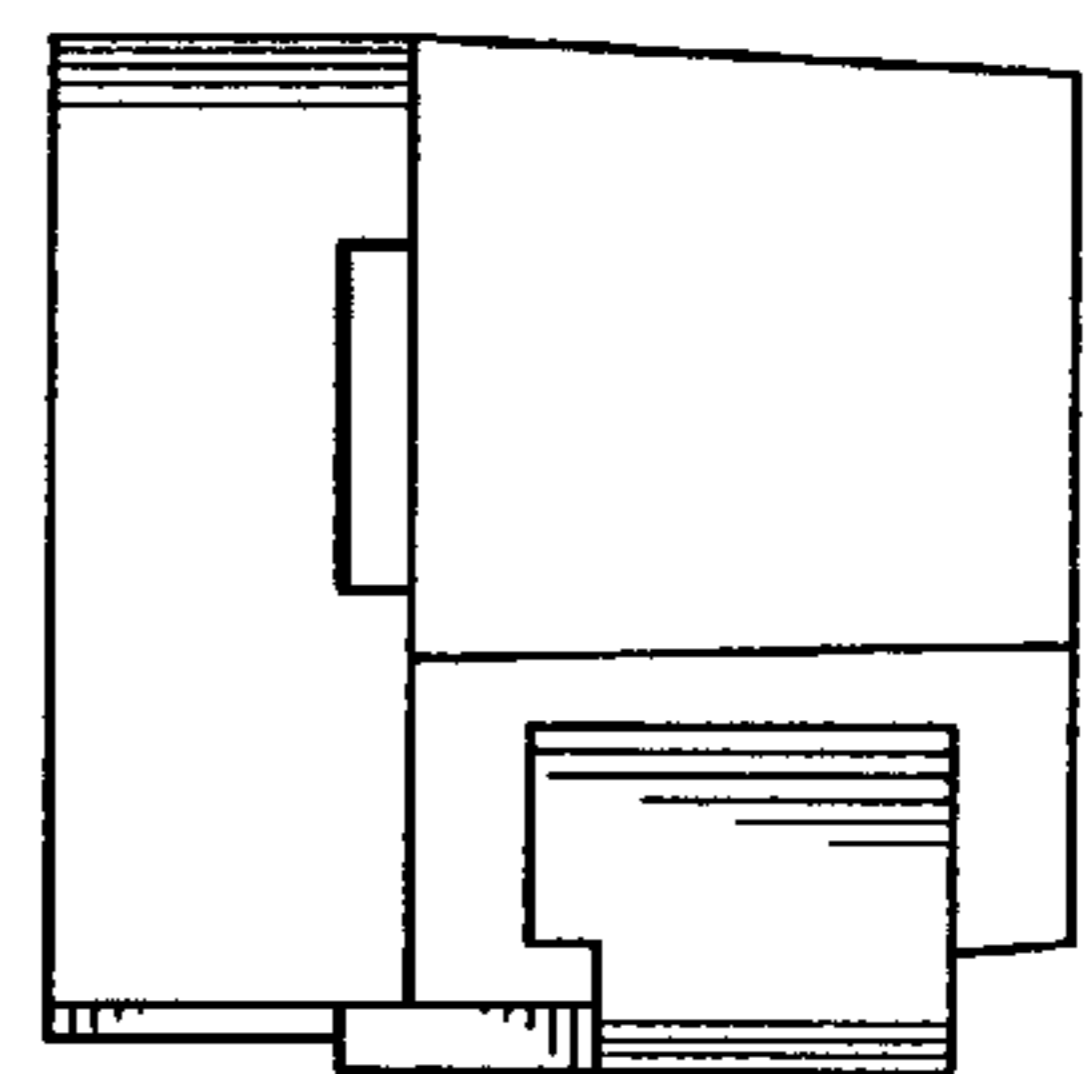


FIG. 5

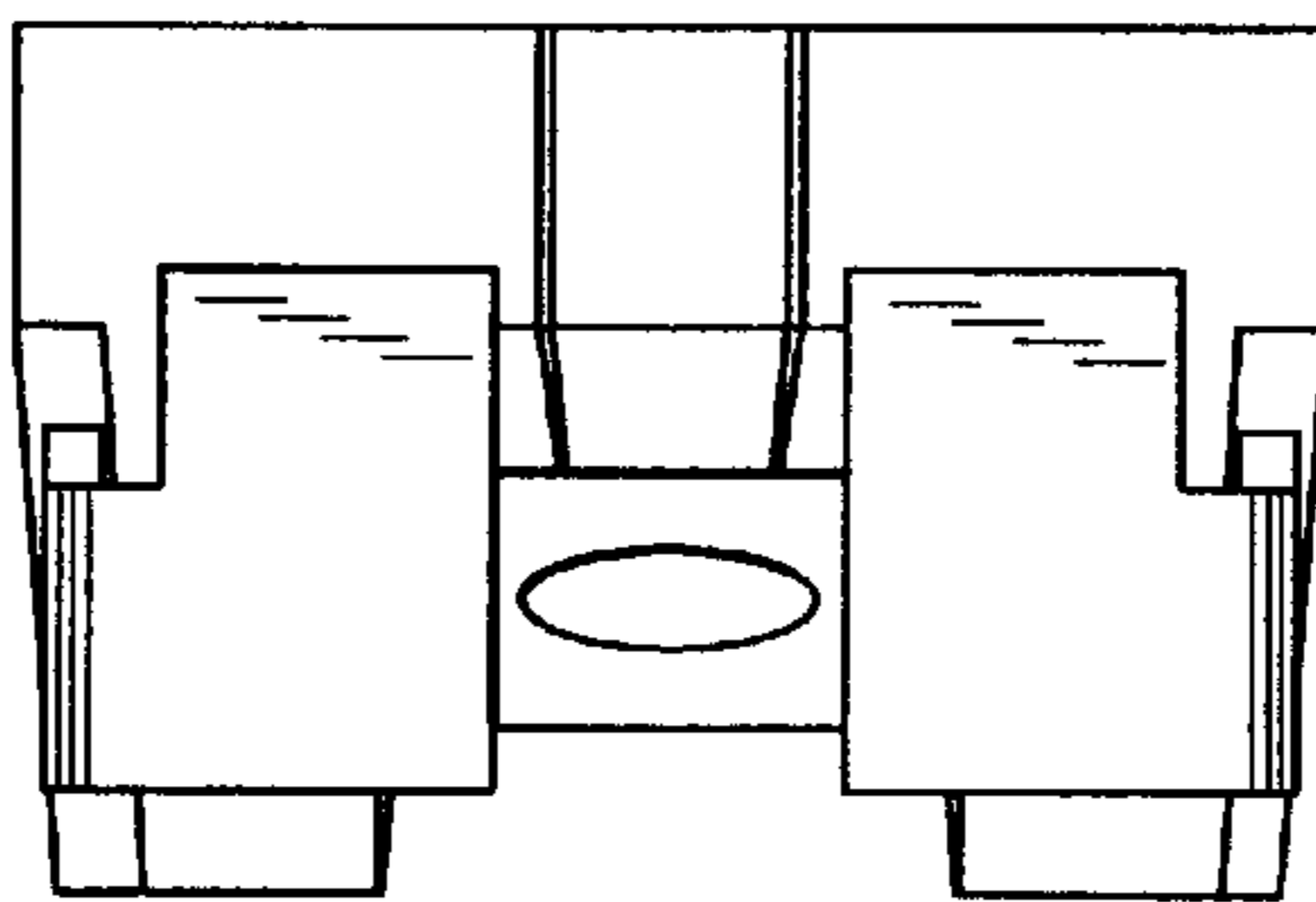


FIG. 6

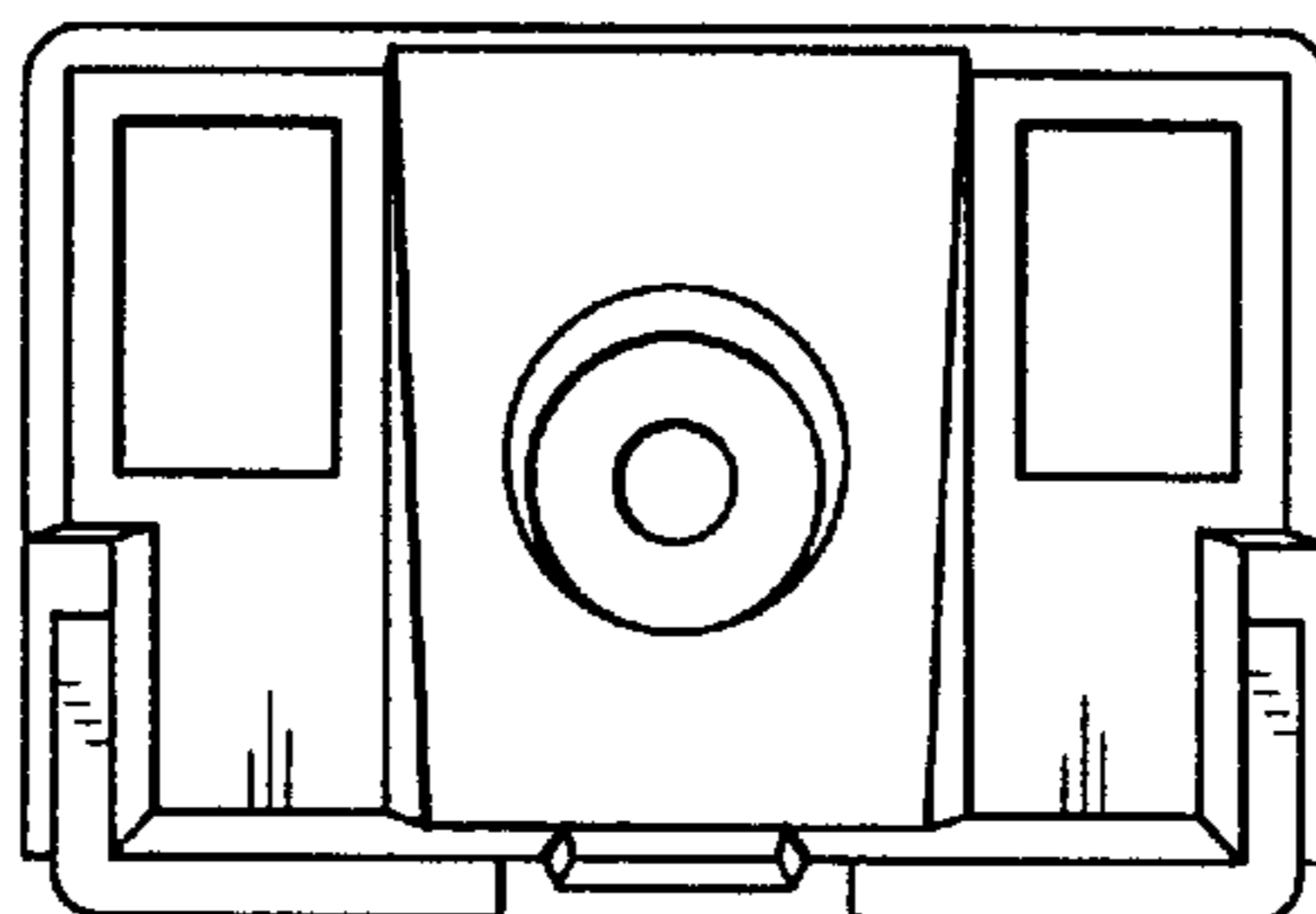


FIG. 7