



US00D482331S

(12) **United States Design Patent**
Suzuki et al.

(10) **Patent No.:** **US D482,331 S**

(45) **Date of Patent:** **** Nov. 18, 2003**

(54) **ELECTRICAL CONNECTOR**

(75) Inventors: **Mamoru Suzuki**, Akishima (JP); **Isao Igarashi**, Akishima (JP)

(73) Assignee: **Japan Aviation Electronics Industry, Limited**, Tokyo (JP)

(**) Term: **14 Years**

(21) Appl. No.: **29/172,299**

(22) Filed: **Dec. 10, 2002**

(30) **Foreign Application Priority Data**

Jun. 10, 2002 (JP) 2002-018891

(51) **LOC (7) Cl.** **13-03**

(52) **U.S. Cl.** **D13/147**

(58) **Field of Search** D13/147; 439/108,
439/607, 609, 610

(56) **References Cited**

U.S. PATENT DOCUMENTS

- D380,196 S * 6/1997 Aramaki D13/147
- D427,567 S * 7/2000 Nishio et al. D13/147
- 6,224,420 B1 * 5/2001 Nishio et al. 439/607 X
- D450,302 S * 11/2001 Shimojyo D13/147
- D452,848 S * 1/2002 Shimojyo D13/147

- D462,663 S * 9/2002 Hagiwara D13/147
- D471,867 S * 3/2003 Fan D13/147
- 2002/0081903 A1 * 6/2002 Yang 439/607

* cited by examiner

Primary Examiner—Joel Sincavage

(74) *Attorney, Agent, or Firm*—Collard & Roe, P.C.

(57) **CLAIM**

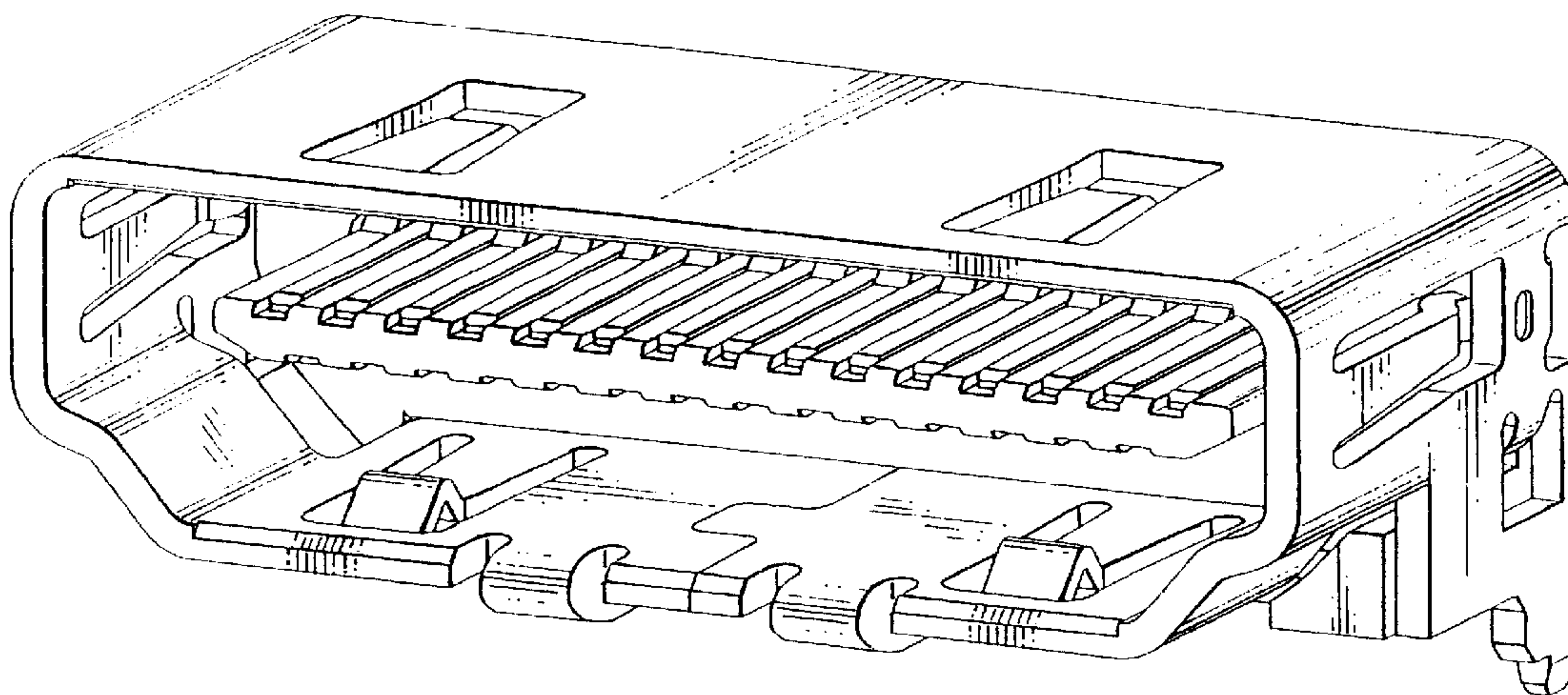
The ornamental design for an electrical connector, as shown and described.

DESCRIPTION

FIG. 1 is a front elevational view of an electrical connector;
 FIG. 2 is a top plan view thereof;
 FIG. 3 is a rear elevational view thereof;
 FIG. 4 is a bottom plan view thereof;
 FIG. 5 is a right side elevational view thereof;
 FIG. 6 is a cross-sectional view thereof along the line VI—VI in FIG. 1;
 FIG. 7 is a cross-sectional view thereof along the line VII—VII in FIG. 1; and,
 FIG. 8 is a perspective view of the front and right side thereof.

A left side elevational view of the electrical connector is omitted because it is presented symmetrical to the right side elevational view of FIG. 5.

1 Claim, 7 Drawing Sheets



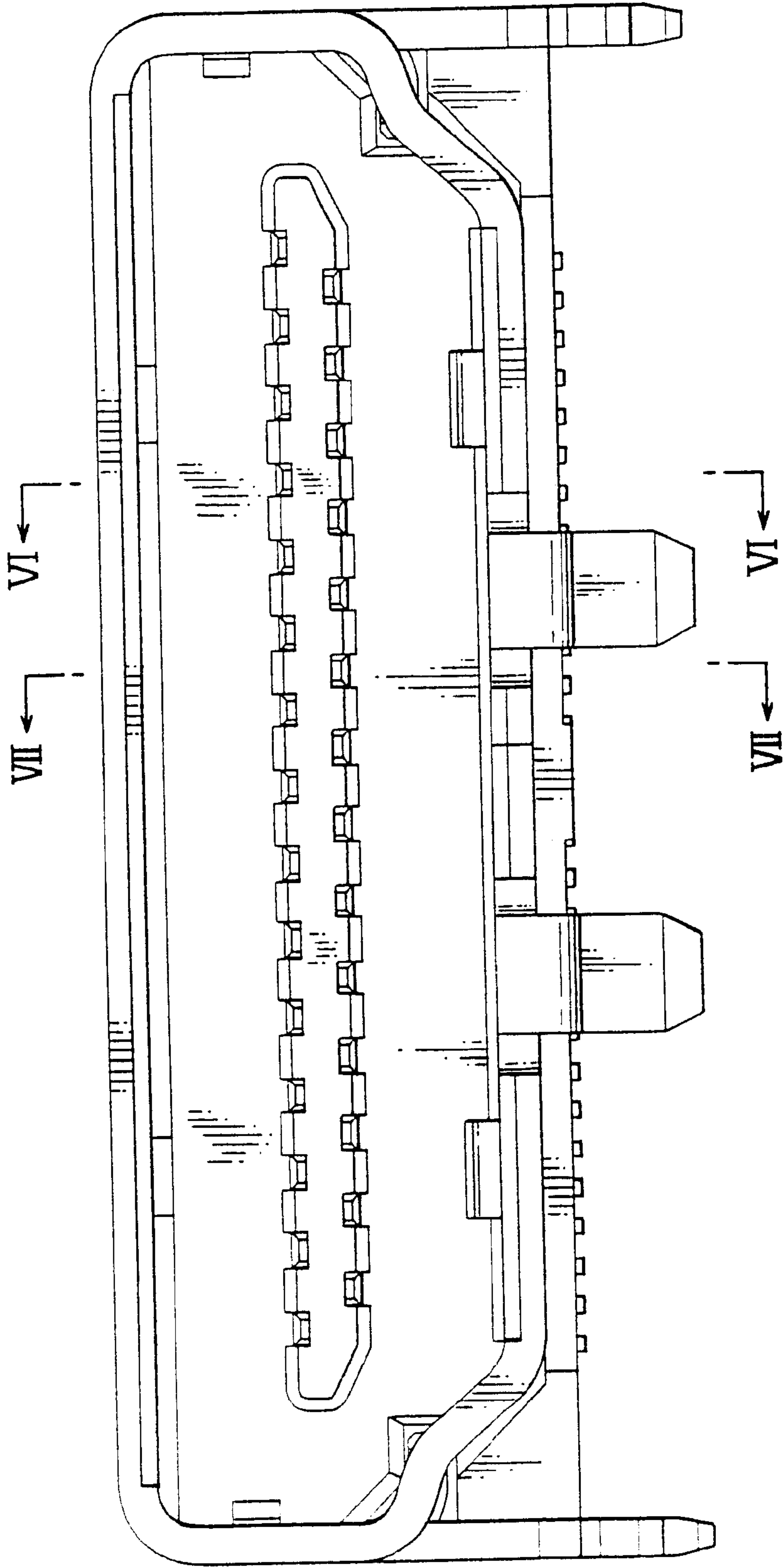


FIG. 1

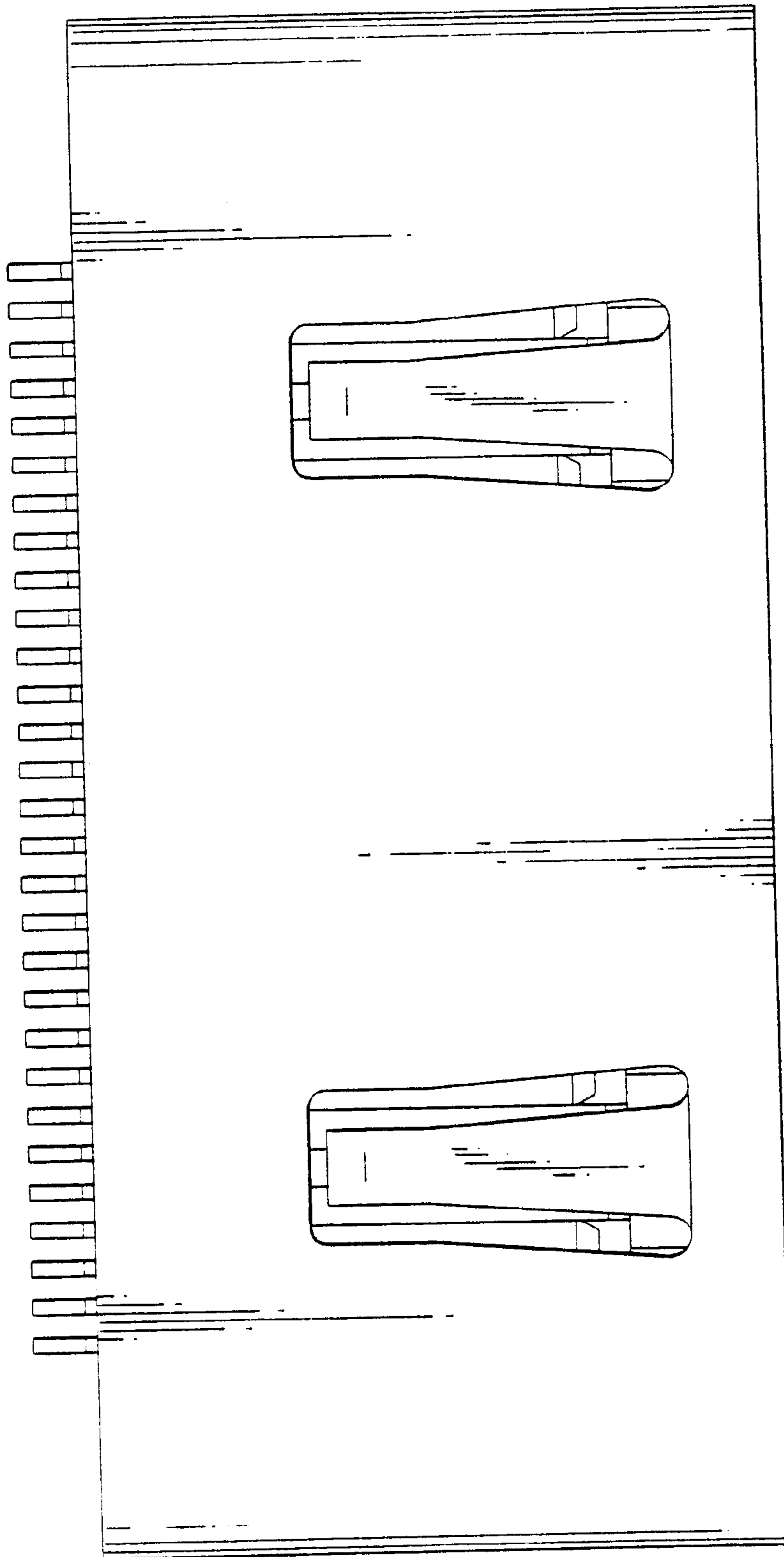


FIG. 2

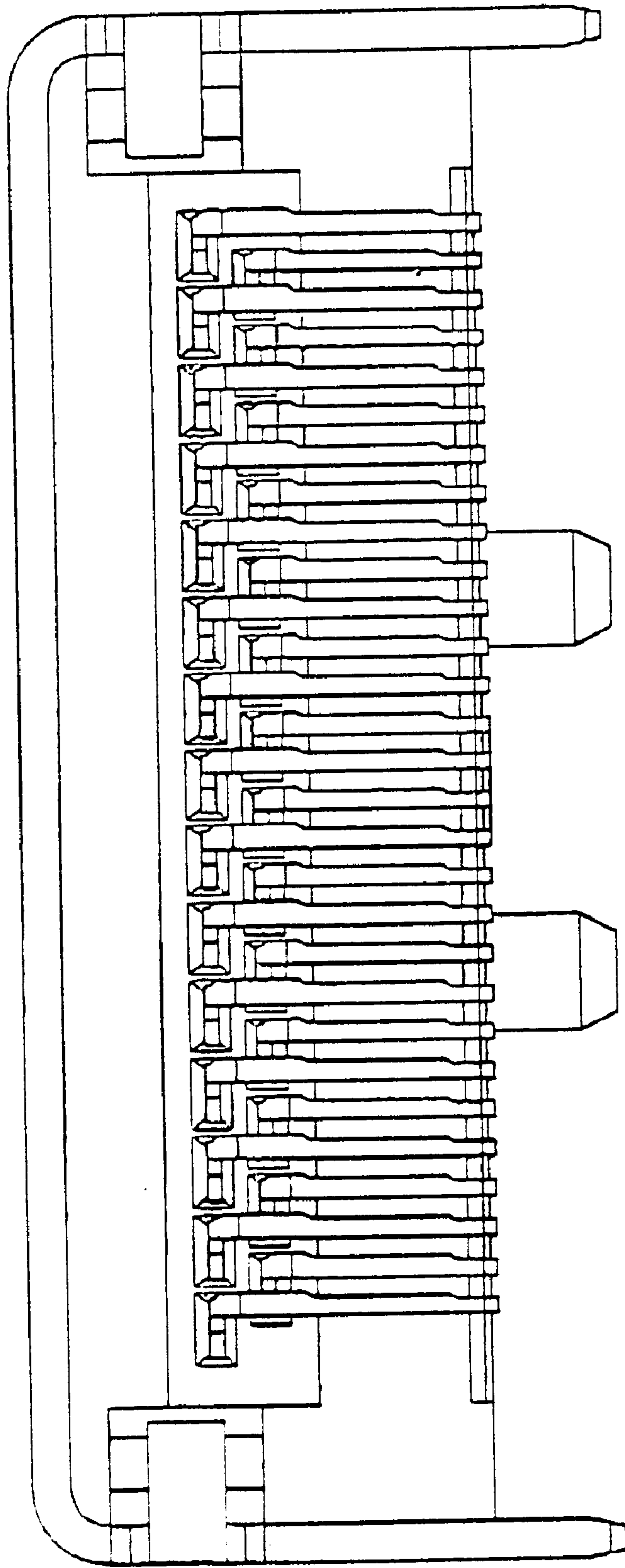


FIG. 3

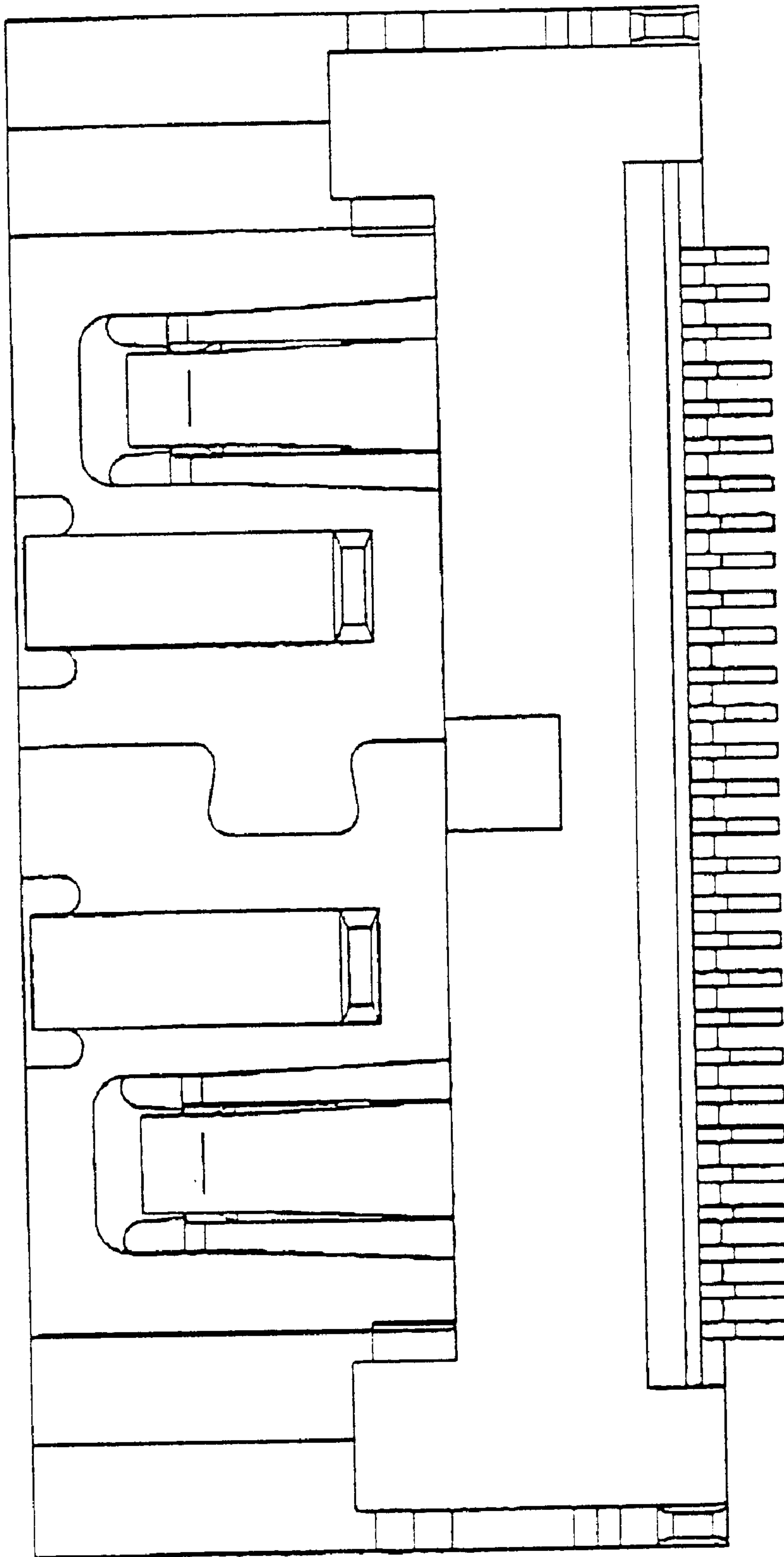


FIG. 4

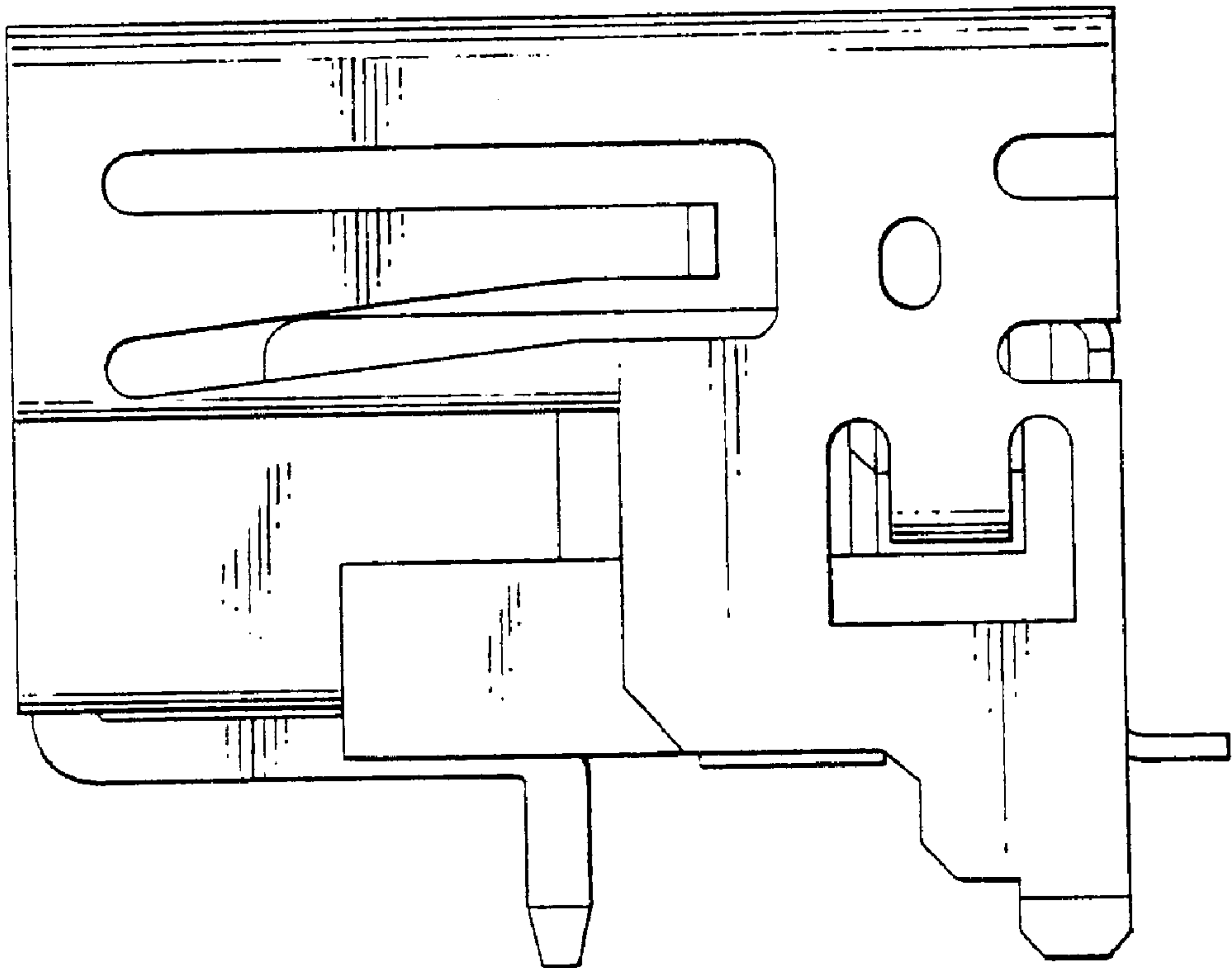


FIG. 5

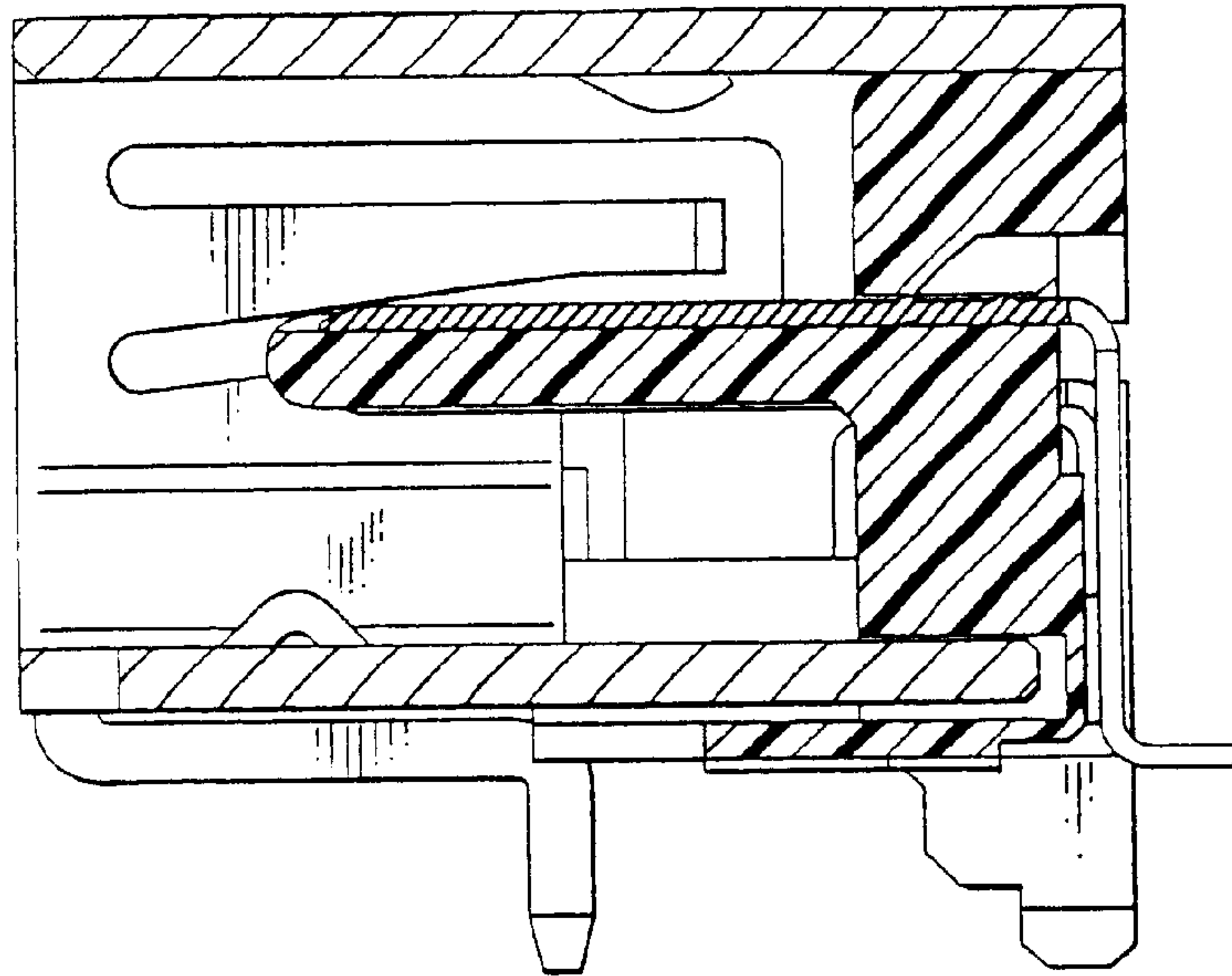


FIG. 6

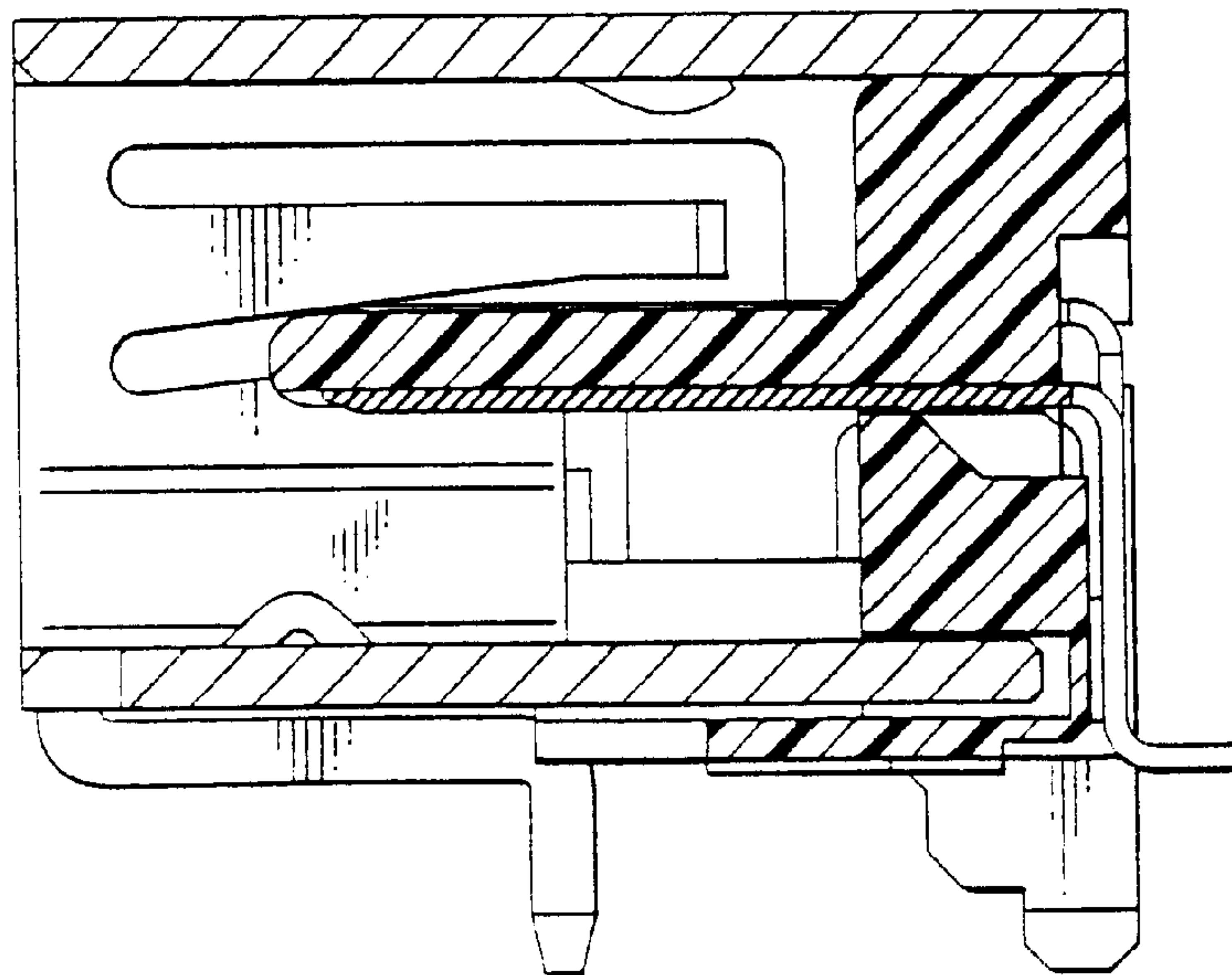


FIG. 7

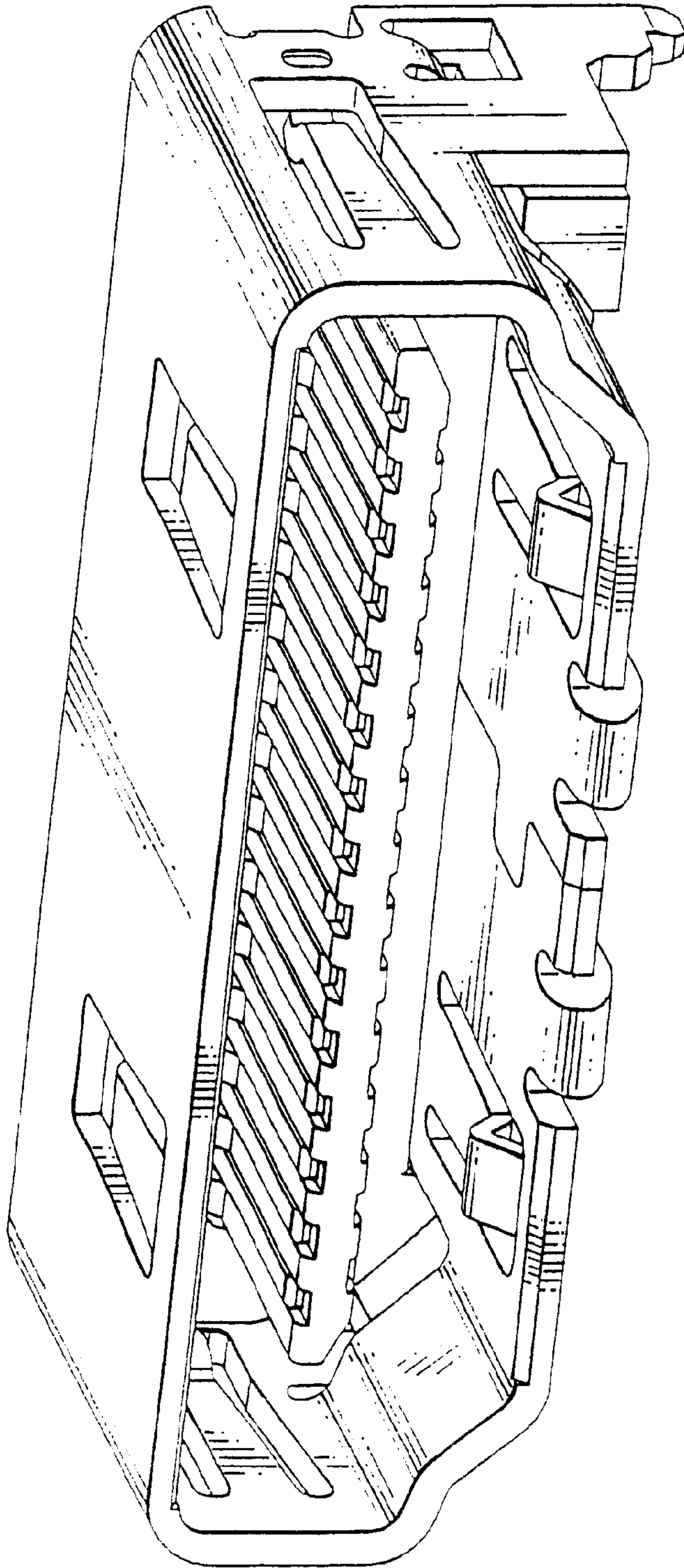


FIG. 8