



US00D482330S

(12) **United States Design Patent**  
**Suzuki et al.**

(10) **Patent No.:** **US D482,330 S**

(45) **Date of Patent:** **\*\* Nov. 18, 2003**

(54) **ELECTRICAL CONNECTOR**

(75) Inventors: **Mamoru Suzuki**, Akishima (JP); **Isao Igarashi**, Akishima (JP)

(73) Assignee: **Japan Aviation Electronics Industry, Limited**, Tokyo (JP)

(\*\*) Term: **14 Years**

(21) Appl. No.: **29/172,264**

(22) Filed: **Dec. 9, 2002**

(30) **Foreign Application Priority Data**

Jun. 10, 2002 (JP) ..... 2002-018888

(51) **LOC (7) Cl.** ..... **13-03**

(52) **U.S. Cl.** ..... **D13/147**

(58) **Field of Search** ..... D13/147; 439/352,  
439/353, 357, 358, 607

(56) **References Cited**

**U.S. PATENT DOCUMENTS**

- 4,678,256 A \* 7/1987 Nishino et al. .... 439/607 X
- 4,681,386 A \* 7/1987 Boulanger ..... 439/347
- 4,822,303 A \* 4/1989 Nakamura et al. .... 439/607
- 5,199,897 A \* 4/1993 Hashiguchi ..... 439/357
- 5,201,669 A \* 4/1993 Lin ..... 439/357
- 5,611,708 A \* 3/1997 Mizunuma et al. .... 439/358
- 5,716,228 A \* 2/1998 Chen ..... 439/358
- 5,860,826 A \* 1/1999 Chang ..... 439/358

- 6,146,205 A \* 11/2000 Lai ..... 439/358 X
- 6,210,202 B1 \* 4/2001 Kuo ..... 439/358
- D456,359 S \* 4/2002 Funatsu ..... D13/147

\* cited by examiner

*Primary Examiner*—Joel Sincavage

(74) *Attorney, Agent, or Firm*—Collard & Roe, P.C.

(57) **CLAIM**

The ornamental design for an electrical connector, as shown and described.

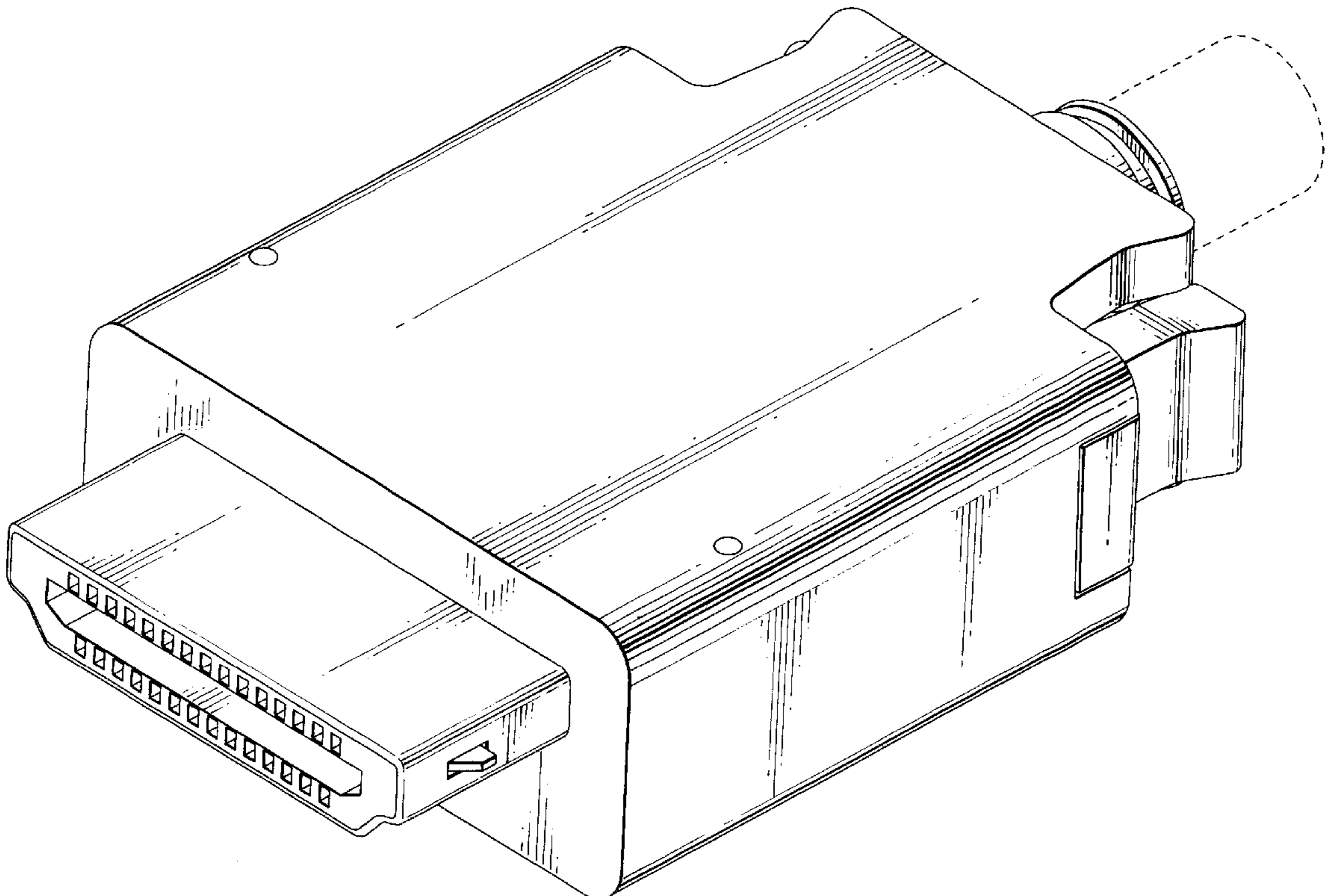
**DESCRIPTION**

FIG. 1 is a top plan view of an electrical connector;  
 FIG. 2 is a front elevational view thereof;  
 FIG. 3 is a rear elevational view thereof;  
 FIG. 4 is a bottom plan view thereof;  
 FIG. 5 is a right side elevational view thereof;  
 FIG. 6 is a cross-sectional view thereof along the line 6—6 in FIG. 2; and,  
 FIG. 7 is a perspective view of the front and right side thereof.

A left side elevational view of the electrical connector is omitted because it is presented symmetrical to the right side elevational view of FIG. 5.

The broken lines in FIG. 7 are included for the purpose of illustrating environmental structure only and form no part of the claimed design.

**1 Claim, 6 Drawing Sheets**



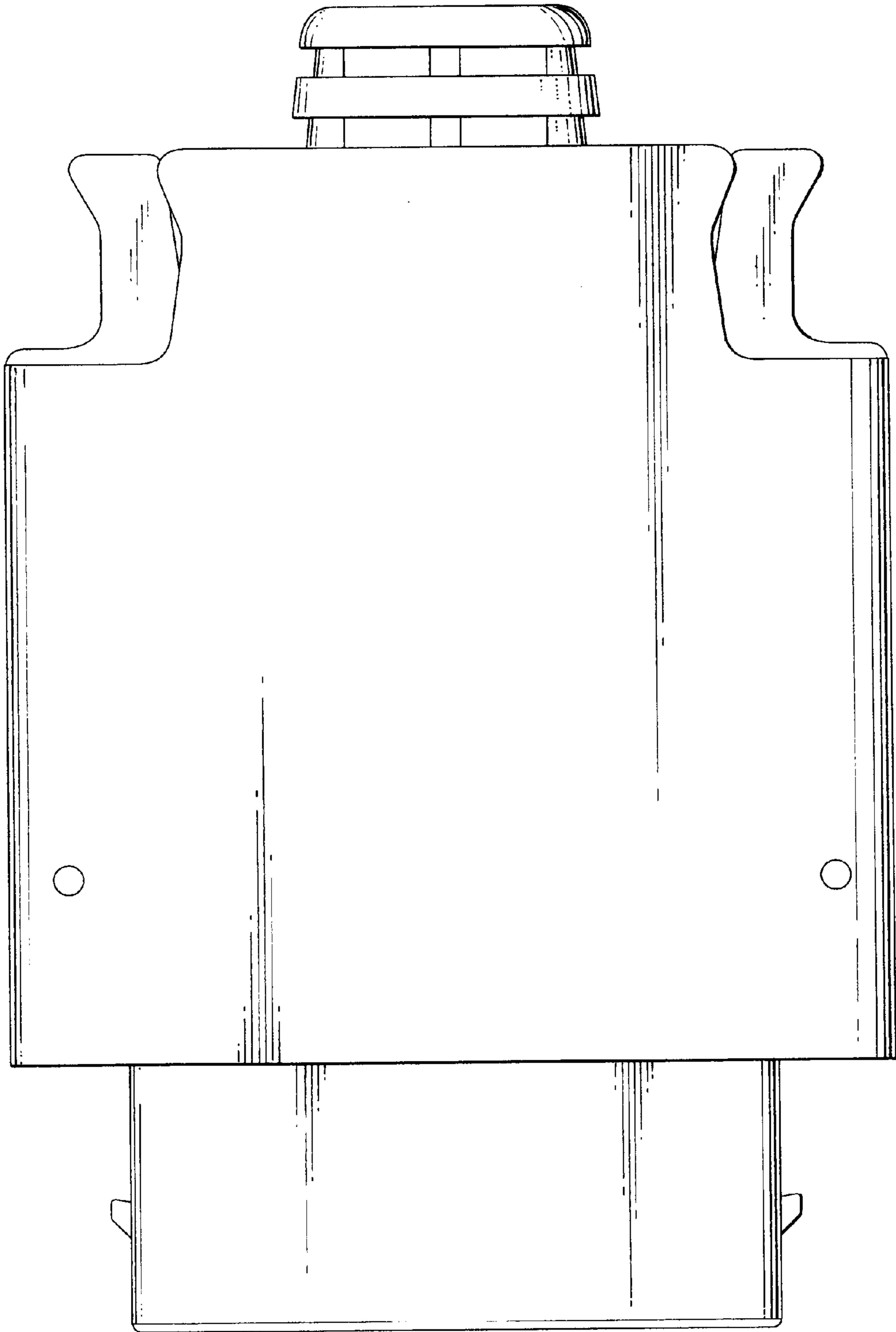


FIG. 1

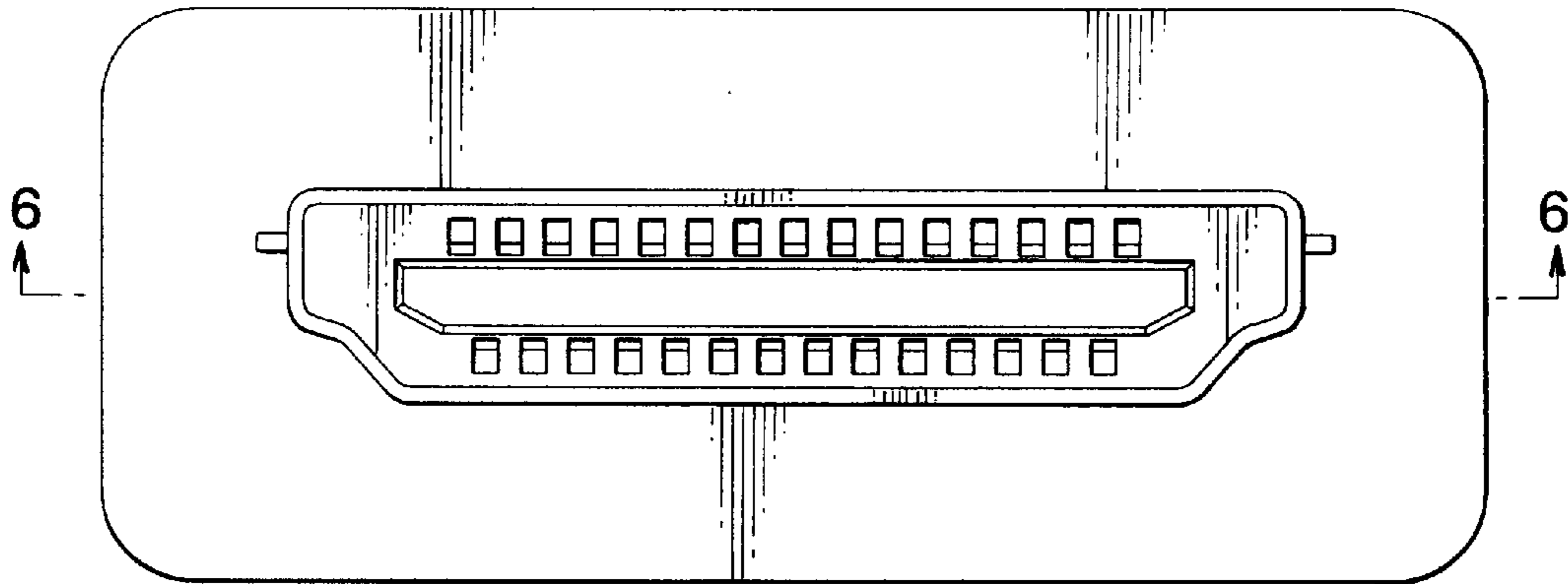


FIG. 2

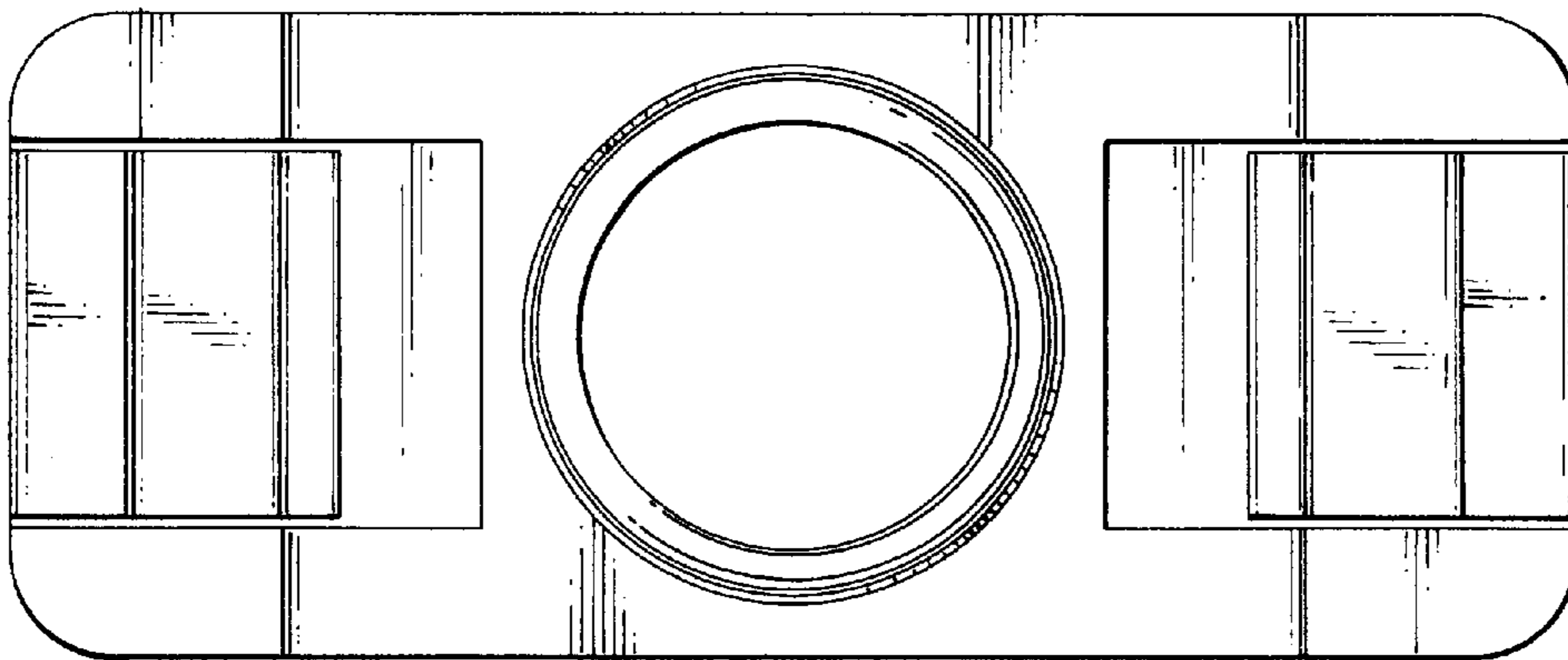


FIG. 3

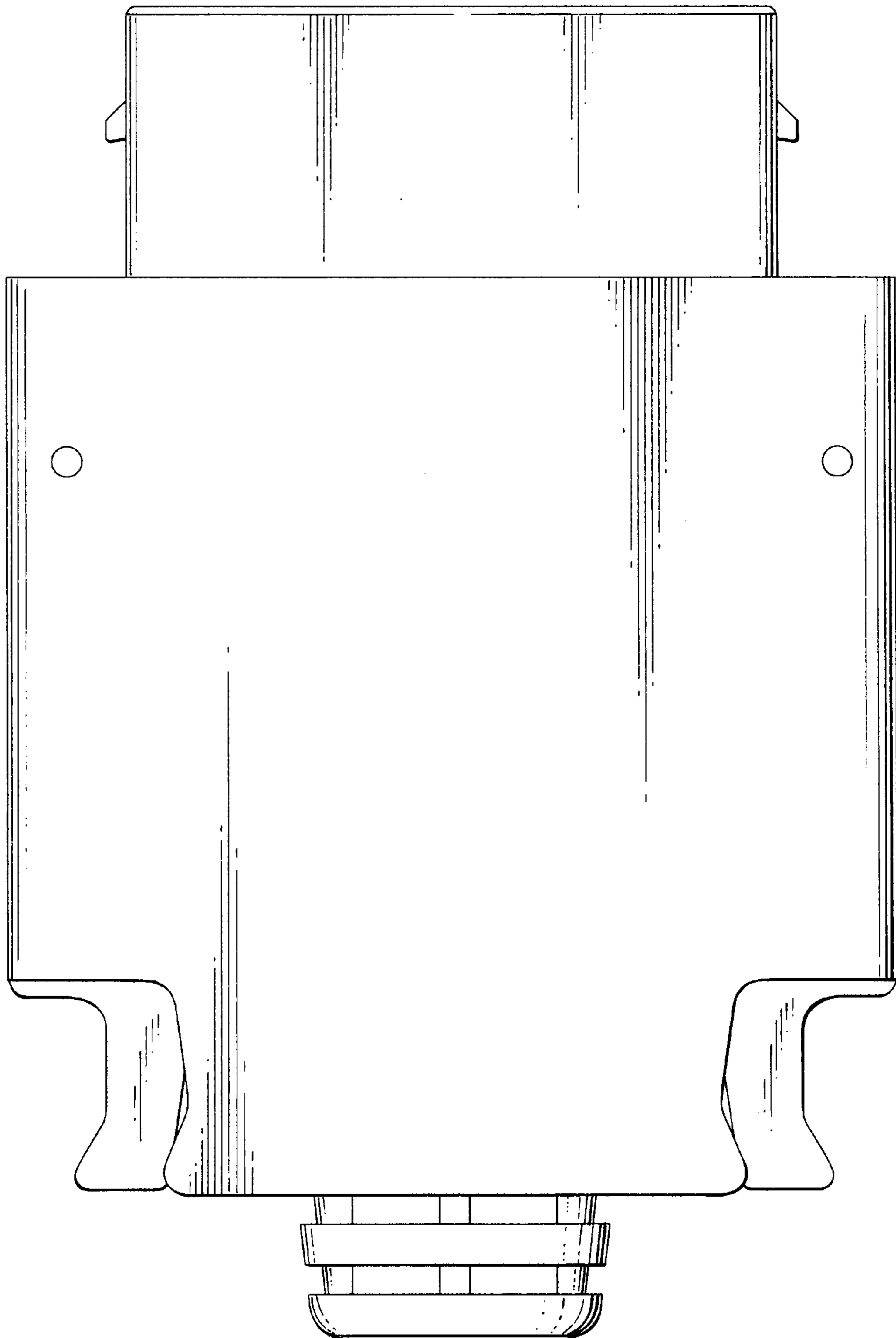


FIG. 4

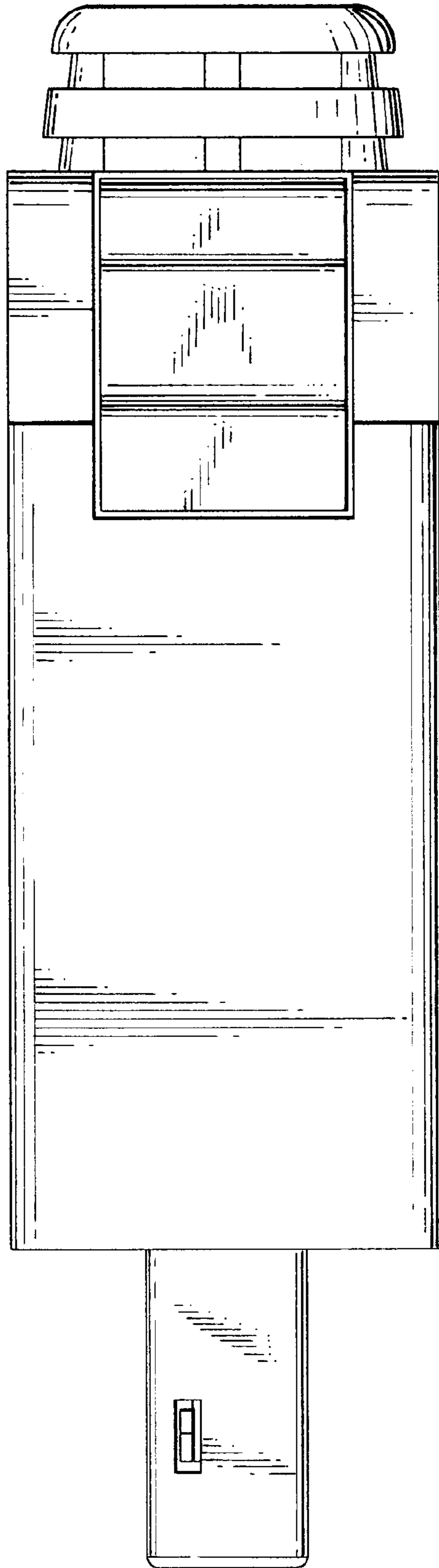


FIG. 5

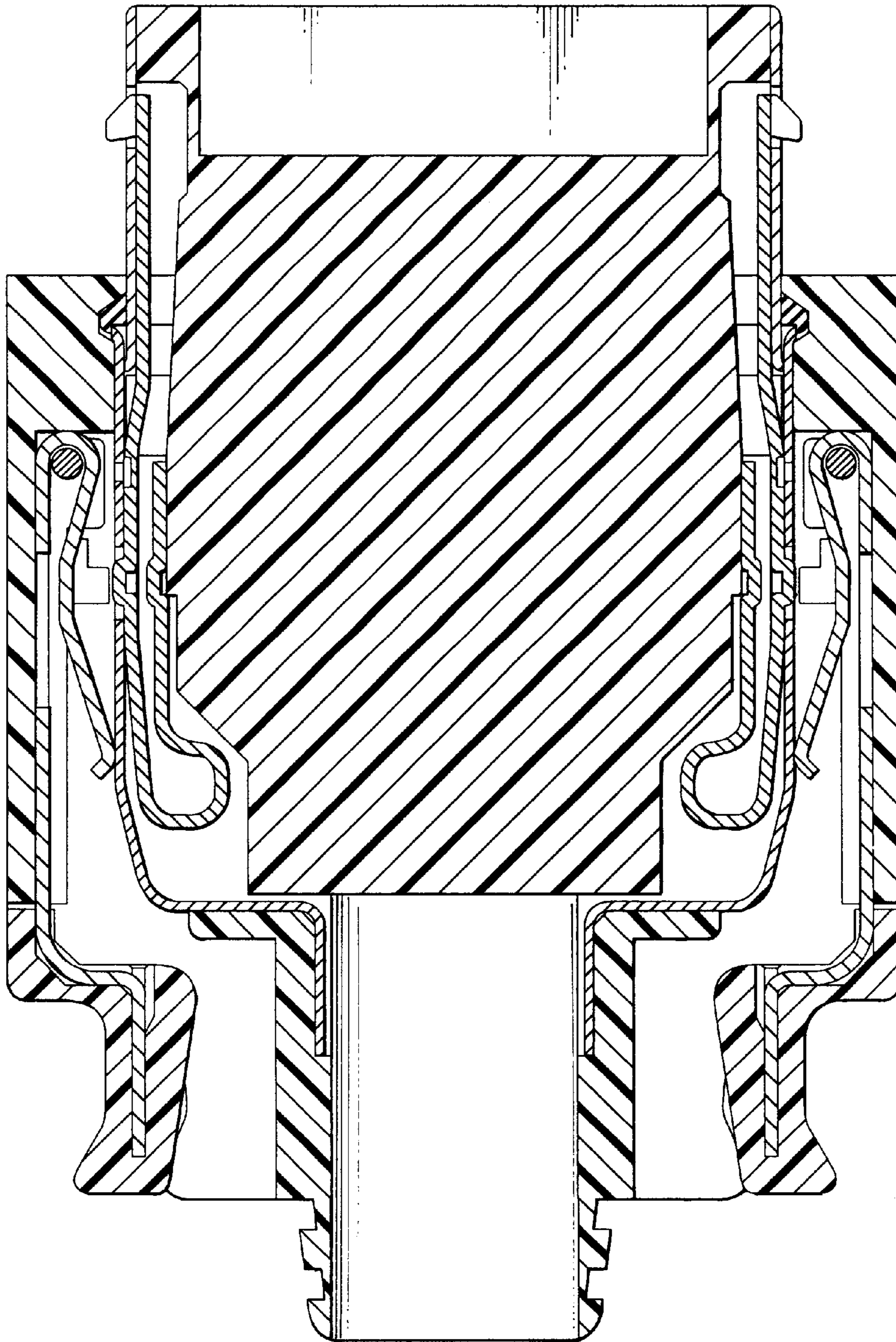


FIG. 6

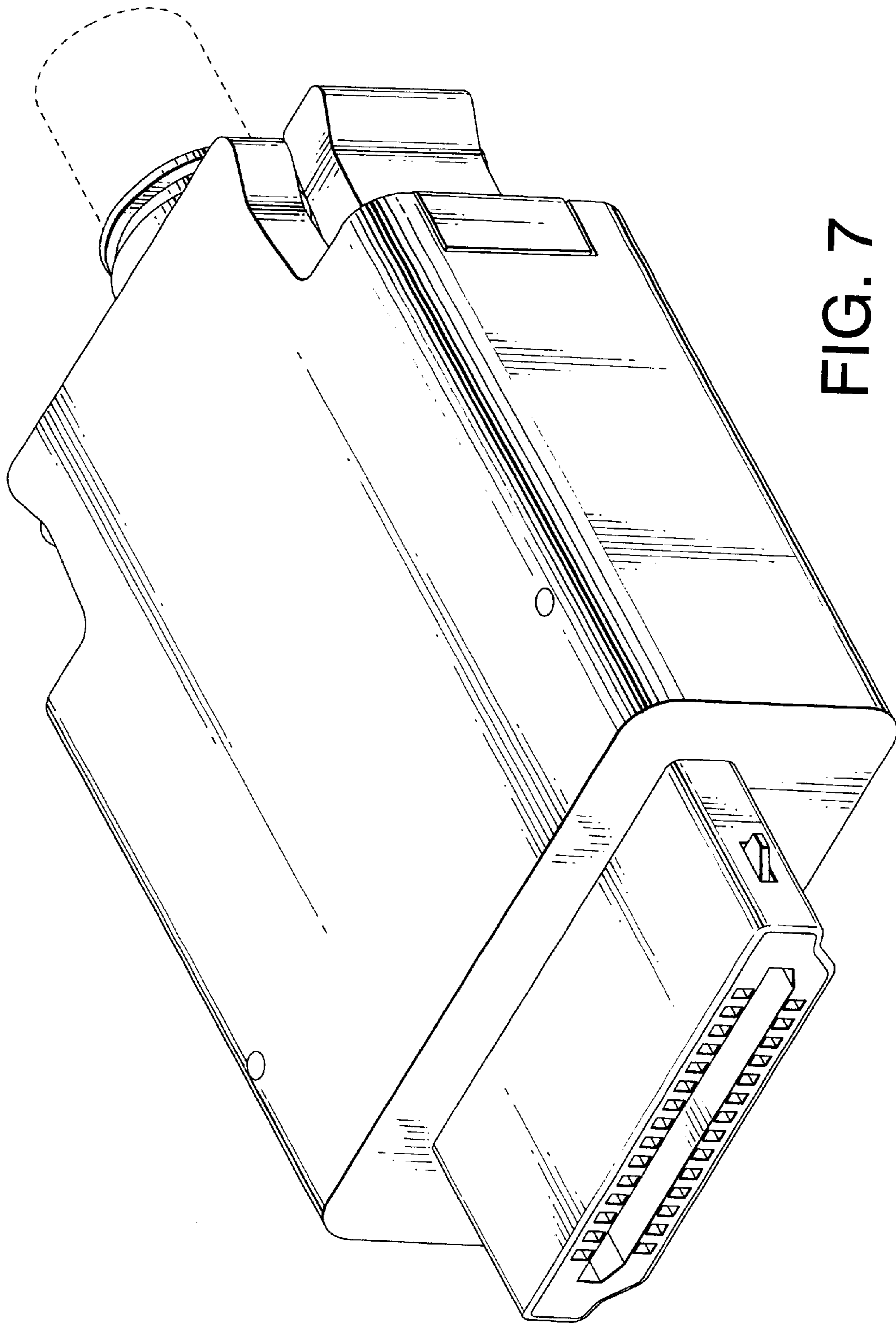


FIG. 7