



US00D482329S

(12) **United States Design Patent**
Hisamatsu et al.

(10) **Patent No.:** **US D482,329 S**

(45) **Date of Patent:** **** Nov. 18, 2003**

(54) **ELECTRICAL CONNECTOR**

(75) Inventors: **Kazuhito Hisamatsu**, Akiruno (JP);
Masaaki Takaku, Tokyo (JP); **Akira**
Kimura, Kokubunji (JP)

(73) Assignee: **Japan Aviation Electronics Industry,**
Limited, Tokyo (JP)

(**) Term: **14 Years**

(21) Appl. No.: **29/171,400**

(22) Filed: **Nov. 21, 2002**

(30) **Foreign Application Priority Data**

May 21, 2002 (JP) 2002-016905

(51) **LOC (7) Cl.** **13-03**

(52) **U.S. Cl.** **D13/147**

(58) **Field of Search** D13/147; 439/296,
439/345, 329, 422, 492, 260, 395, 495,
499, 378

(56) **References Cited**

U.S. PATENT DOCUMENTS

D293,432 S	*	12/1987	Masuda	D13/147
6,077,089 A	*	6/2000	Bishop et al.	439/296 X
D444,130 S	*	6/2001	Hayashi et al.	D13/147
D454,114 S	*	3/2002	Hayashi et al.	D13/147
D455,717 S	*	4/2002	Hayashi et al.	D13/147
D456,777 S	*	5/2002	Igarashi	D13/147
D456,778 S	*	5/2002	Igarashi	D13/147
D456,779 S	*	5/2002	Igarashi	D13/147

D456,780 S * 5/2002 Igarashi D13/147
2001/0036767 A1 * 11/2001 Igarashi 439/442

* cited by examiner

Primary Examiner—Joel Sincavage

(74) *Attorney, Agent, or Firm*—Collard & Roe, P.C.

(57) **CLAIM**

The ornamental design for an electrical connector, as shown and described.

DESCRIPTION

FIG. 1 is a front, top, and right side perspective view of an electrical connector;

FIG. 2 is a rear, bottom, and left side perspective view thereof;

FIG. 3 is a top view thereof;

FIG. 4 is a front view thereof;

FIG. 5 is a right side elevational view thereof;

FIG. 6 is a bottom view thereof;

FIG. 7 is a rear view thereof; and,

FIG. 8 is a perspective view showing the state in use thereof where the electrical connector is coupled with a wire harness.

The broken lines showing the wire harness in FIG. 8 are included for the purpose of illustrating environmental structure only and form no part of the claimed design.

A left side elevational view of the electrical connector is omitted because it is presented symmetrical to the right side elevational view of FIG. 5.

1 Claim, 8 Drawing Sheets

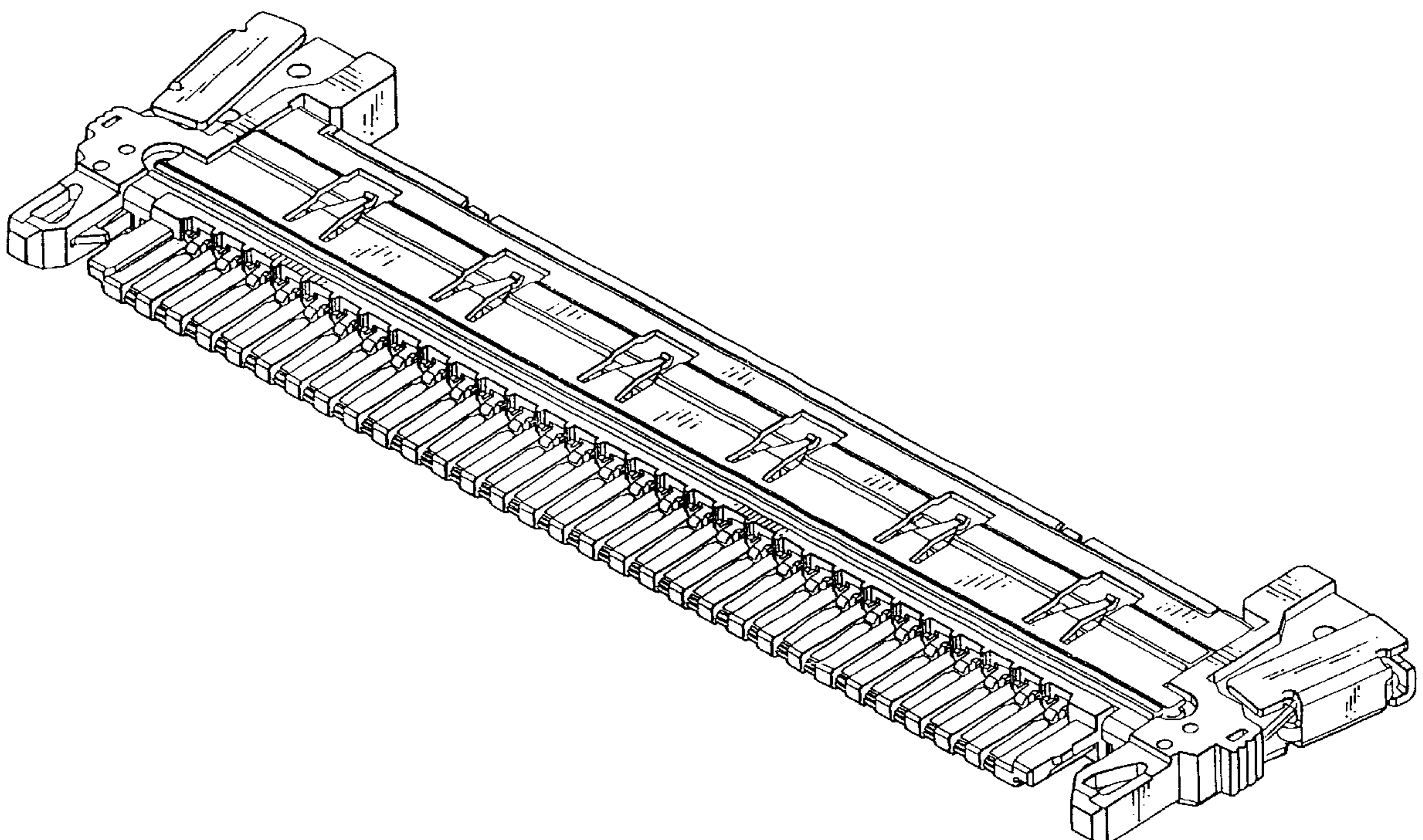


FIG. 1

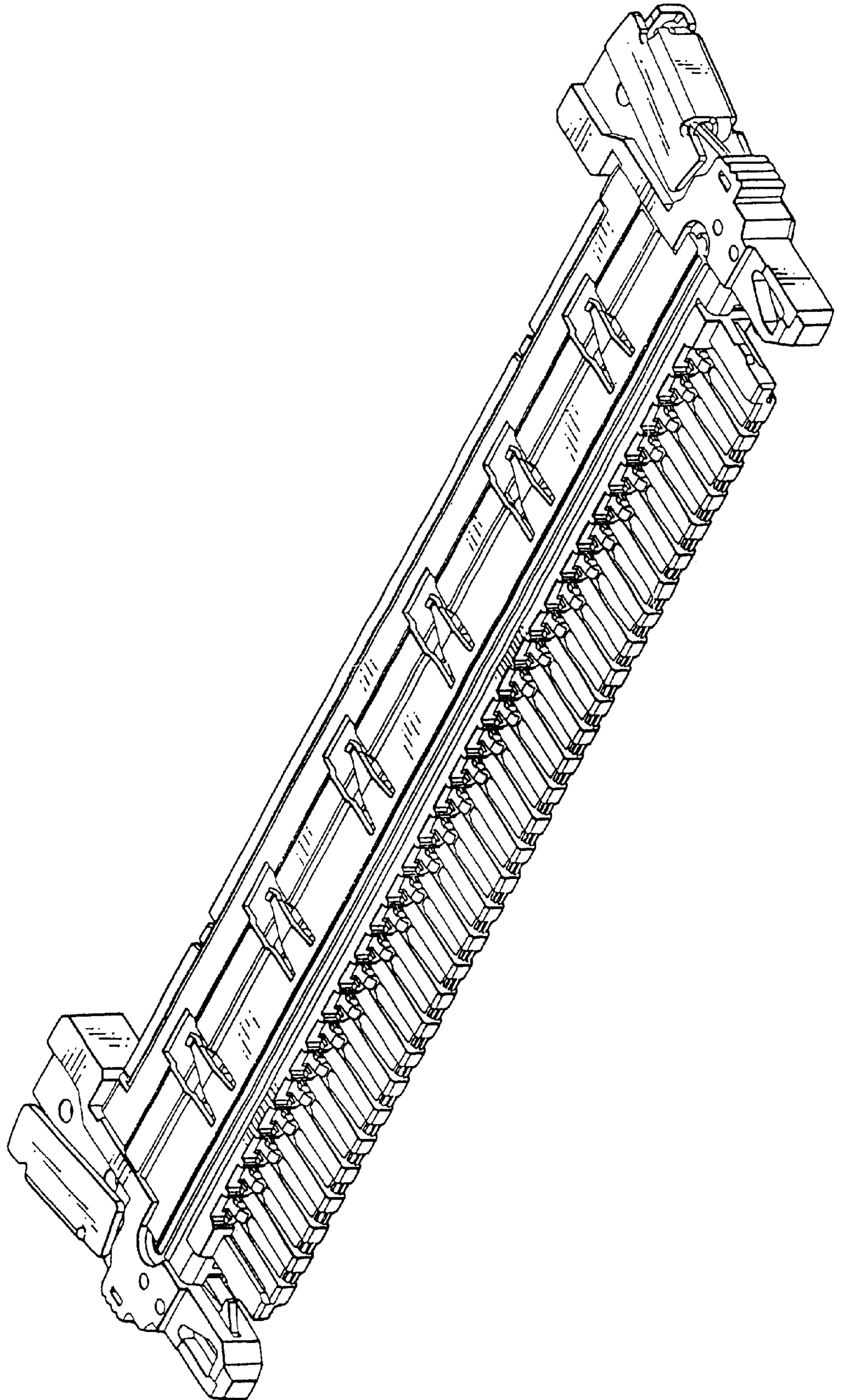


FIG. 2

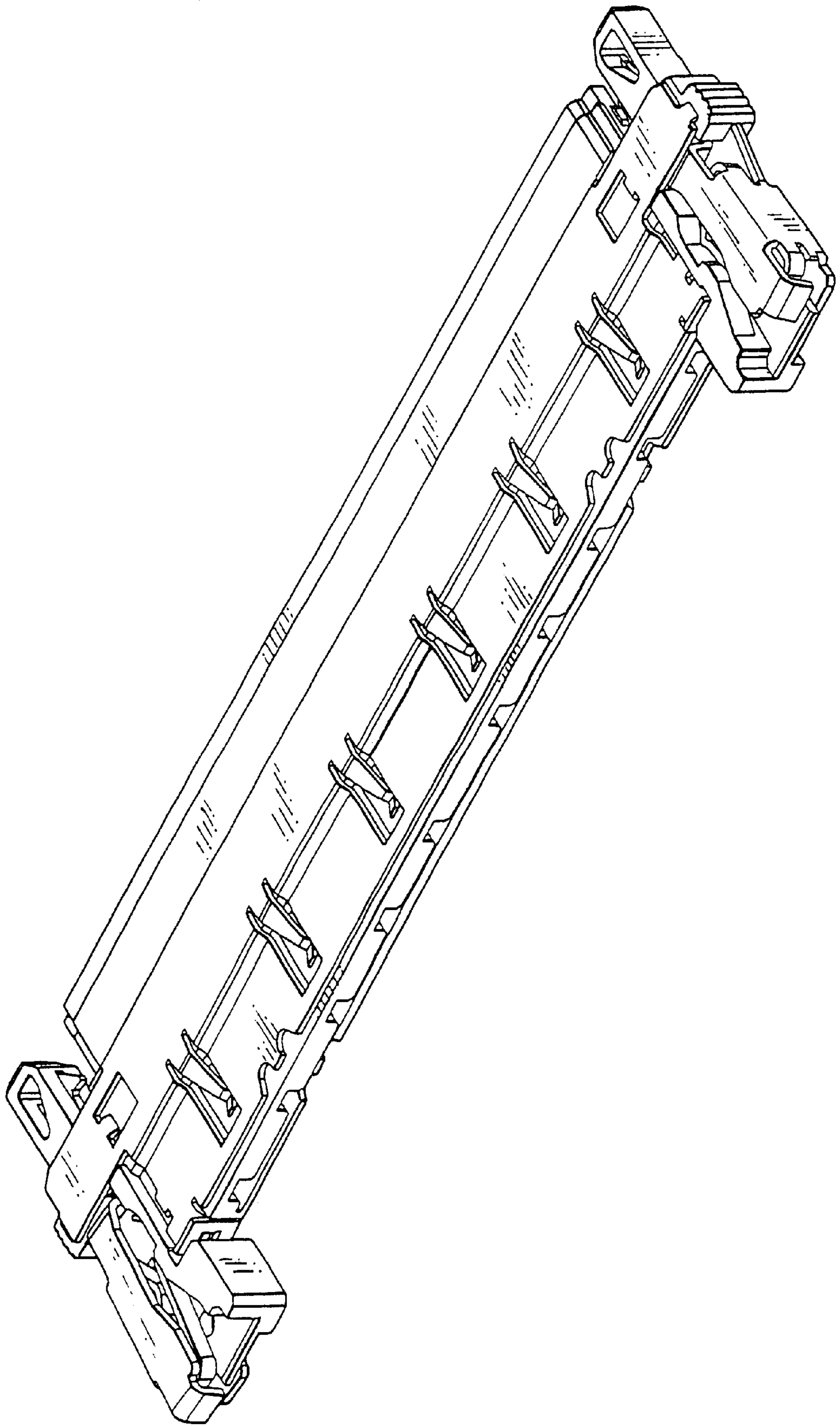


FIG. 3

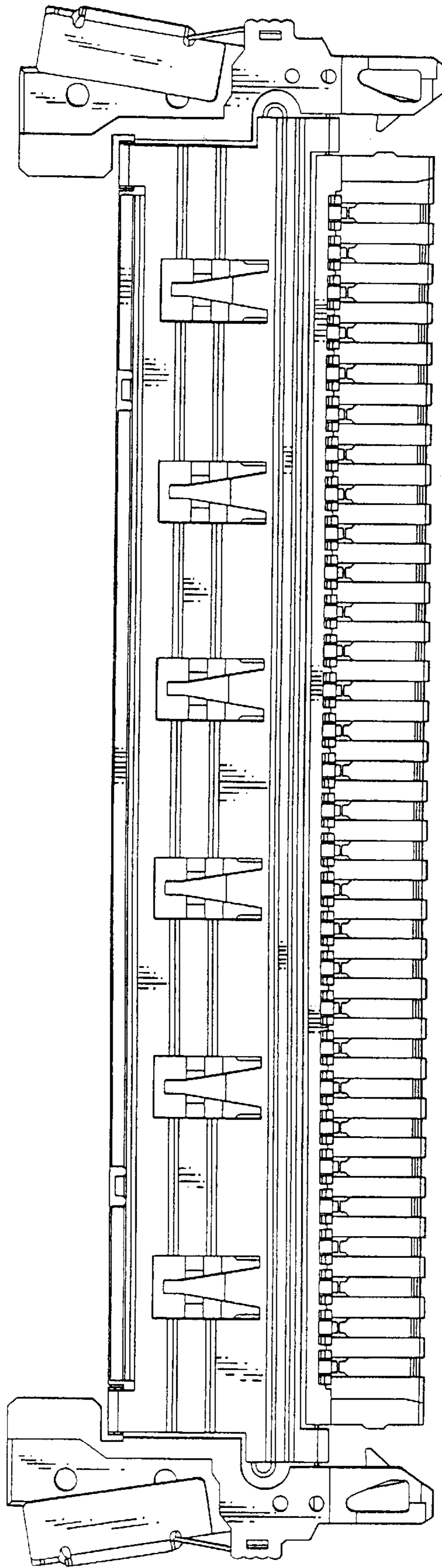


FIG. 4

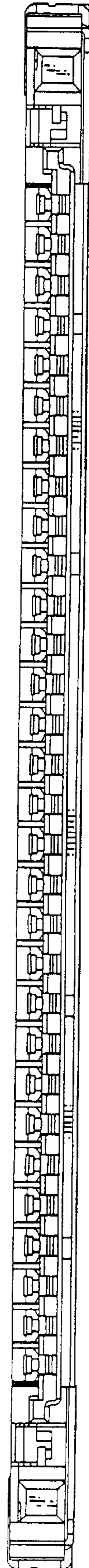


FIG. 5

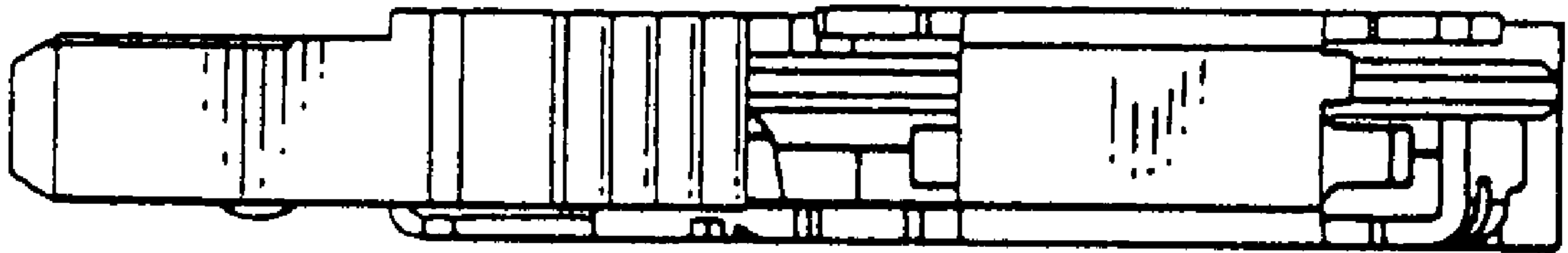


FIG. 6

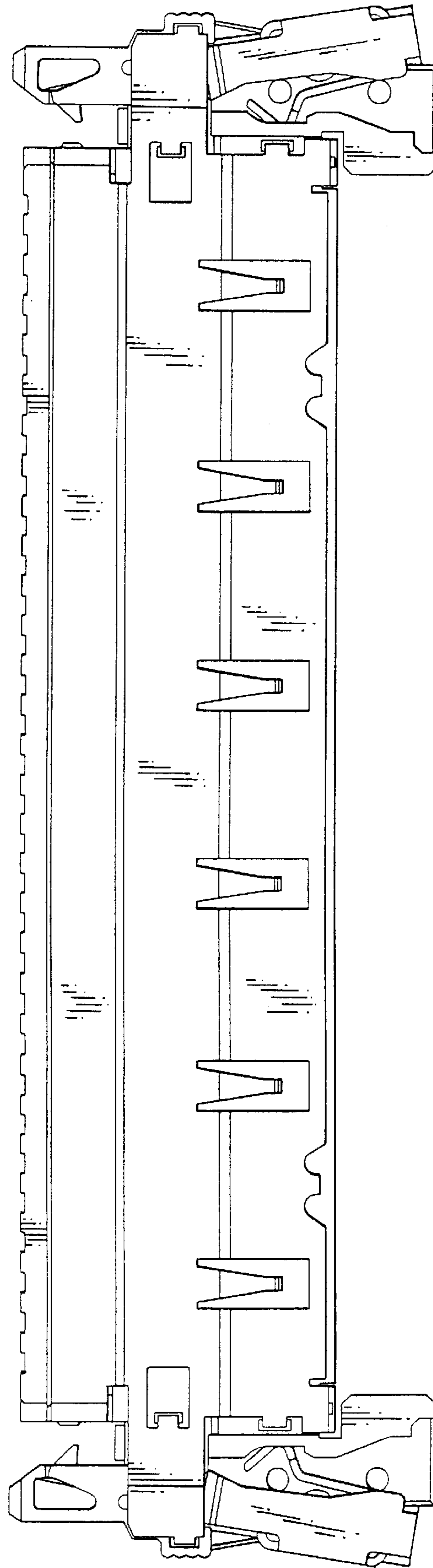


FIG. 7

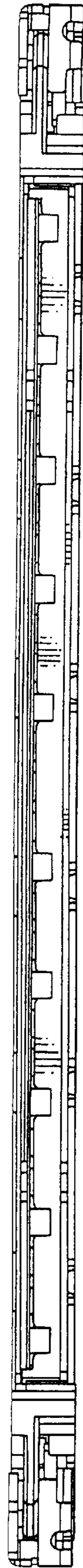


FIG. 8

