



US00D482328S

(12) **United States Design Patent**  
**Hisamatsu et al.**

(10) **Patent No.:** **US D482,328 S**

(45) **Date of Patent:** **\*\* Nov. 18, 2003**

(54) **ELECTRICAL CONNECTOR**

(75) Inventors: **Kazuhito Hisamatsu**, Akiruno (JP);  
**Masaaki Takaku**, Tokyo (JP); **Akira**  
**Kimura**, Kokubunji (JP)

(73) Assignee: **Japan Aviation Electronics Industry,**  
**Limited**, Tokyo (JP)

(\*\*) Term: **14 Years**

(21) Appl. No.: **29/171,398**

(22) Filed: **Nov. 21, 2002**

(30) **Foreign Application Priority Data**

May 21, 2002 (JP) ..... 2002-016911

(51) **LOC (7) Cl.** ..... **13-03**

(52) **U.S. Cl.** ..... **D13/147**

(58) **Field of Search** ..... D13/147; 439/296,  
439/345, 329, 422, 492, 395, 495, 499,  
378, 160, 266, 476.1, 484, 940

(56) **References Cited**

**U.S. PATENT DOCUMENTS**

1,699,722	A	*	1/1929	Stott	.....	439/484
D293,432	S	*	12/1987	Masuda	.....	D13/147
4,778,400	A	*	10/1988	Jacobs	.....	439/152
4,881,911	A	*	11/1989	Haddock et al.	.....	439/484
4,911,647	A	*	3/1990	Ferchau et al.	.....	439/476.1 X
5,123,855	A	*	6/1992	Petersen	.....	439/263
6,077,089	A	*	6/2000	Bishop et al.	.....	439/66
6,126,479	A	*	10/2000	Lee	.....	439/484

(List continued on next page.)

*Primary Examiner*—Joel Sincavage

(74) *Attorney, Agent, or Firm*—Collard & Roe, P.C.

(57) **CLAIM**

The ornamental design for an electrical connector, as shown and described.

**DESCRIPTION**

FIG. 1 is a front, top, and right side perspective view of an electrical connector;

FIG. 2 is a top view thereof;

FIG. 3 is a front view thereof;

FIG. 4 is a right side elevational view thereof;

FIG. 5 is a bottom view thereof;

FIG. 6 is a rear view thereof;

FIG. 7 is a perspective view showing the state in use thereof where the electrical connector is coupled with a wire harness;

FIG. 8 is an enlarged partial view thereof along the line A—A in FIG. 2;

FIG. 9 is an enlarged partial view thereof along the line B—B in FIG. 4;

FIG. 10 is an enlarged partial view thereof along the line C—C in FIG. 5;

FIG. 11 is an enlarged view of FIG. 3;

FIG. 12 is an enlarged view of FIG. 6;

FIG. 13A is an upside enlarged view of FIG. 2;

FIG. 13B is a downside enlarged view of FIG. 2;

FIG. 14A is a left side enlarged view of FIG. 4;

FIG. 14B is a right side enlarged view of FIG. 4;

FIG. 15A is an upside enlarged view of FIG. 5; and,

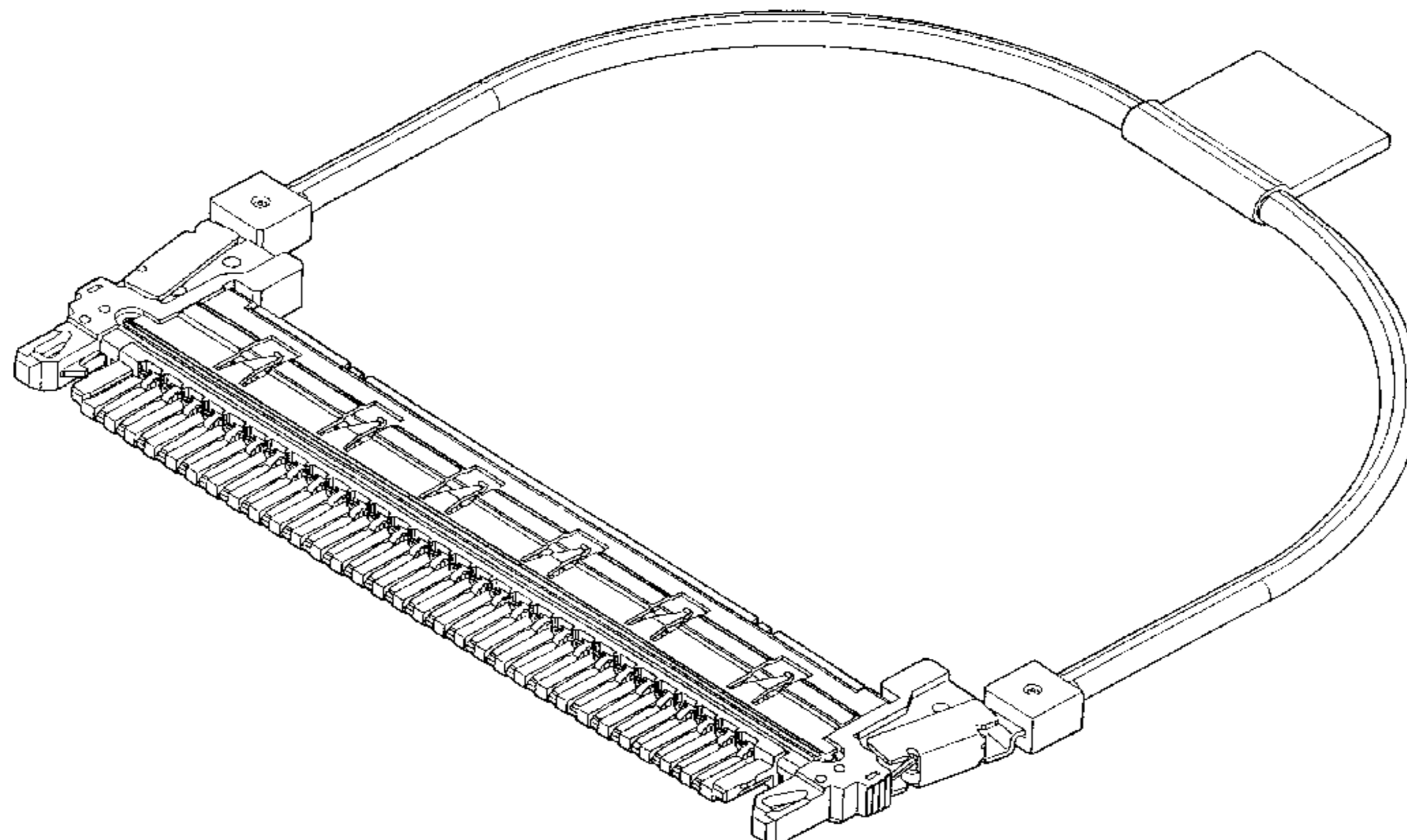
FIG. 15B is a downside enlarged view of FIG. 5.

A left side view of the electrical connector is omitted because it is presented symmetrical to the right side view of FIG. 4.

The broken lines showing the wire harness in FIG. 7 are included for the purpose of illustrating environmental structure only and form no part of the claimed design.

The claim is directed to the appearance of the connector as shown in FIGS. 1–7. Enlarged illustrations of only part of the connector are shown in FIGS. 8–15B for the purpose of revealing details of the design that might not be shown in the other views.

**1 Claim, 18 Drawing Sheets**



# US D482,328 S

Page 2

---

## U.S. PATENT DOCUMENTS

6,236,573 B1	*	5/2001	Gundlach et al.	.....	361/801	D456,779 S	*	5/2002	Igarashi	.....	D13/147
D444,130 S	*	6/2001	Hayashi et al.	.....	D13/147	D456,780 S	*	5/2002	Igarashi	.....	D13/147
D454,114 S	*	3/2002	Hayashi et al.	.....	D13/147	6,416,354 B1	*	7/2002	Lee	.....	439/484
D455,717 S	*	4/2002	Hayashi et al.	.....	D13/147	6,500,023 B1	*	12/2002	Duong et al.	.....	439/484
D456,777 S	*	5/2002	Igarashi	.....	D13/147	2001/0036767 A1	*	11/2001	Igarashi	.....	439/442
D456,778 S	*	5/2002	Igarashi	.....	D13/147						

\* cited by examiner

FIG. 1

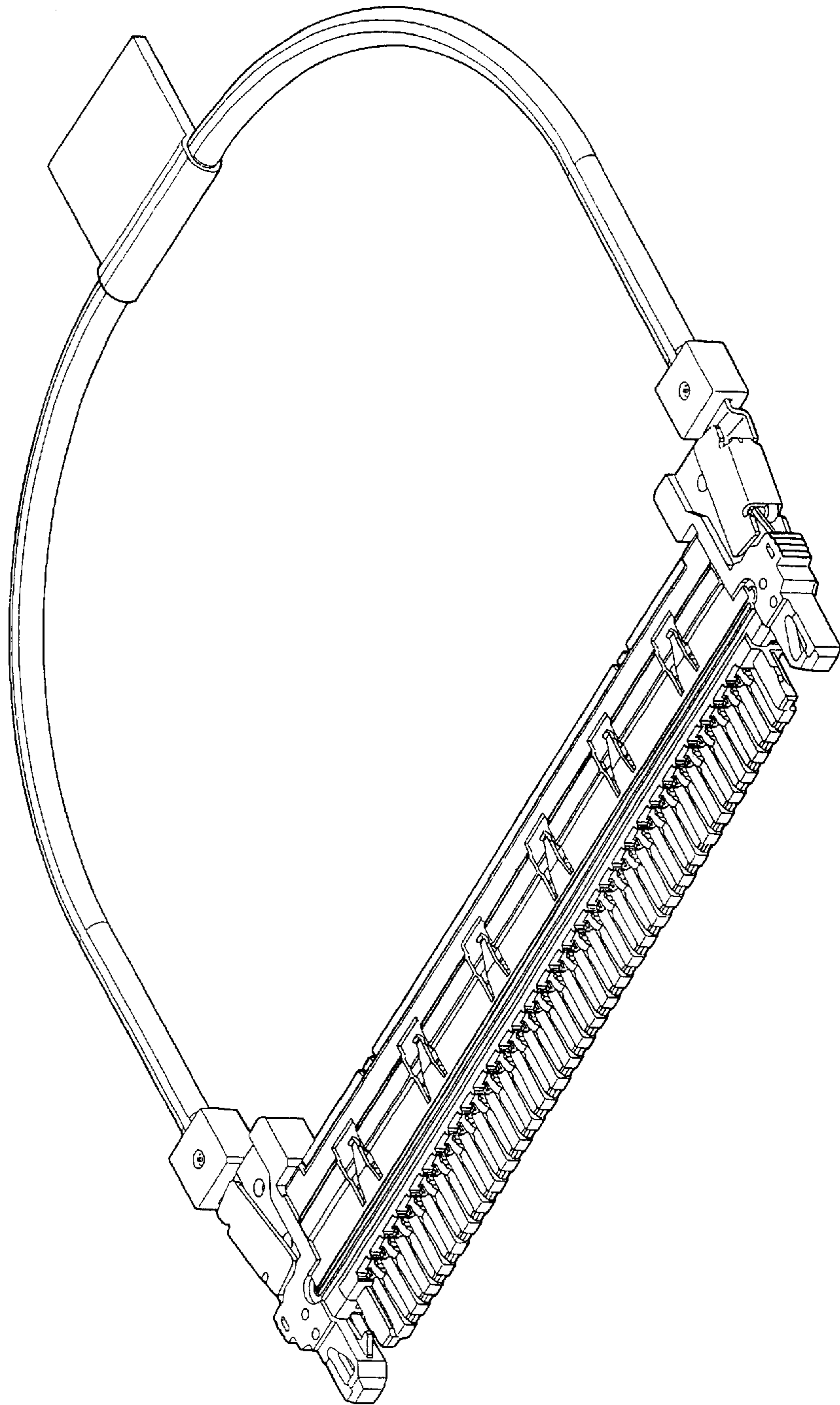


FIG. 2

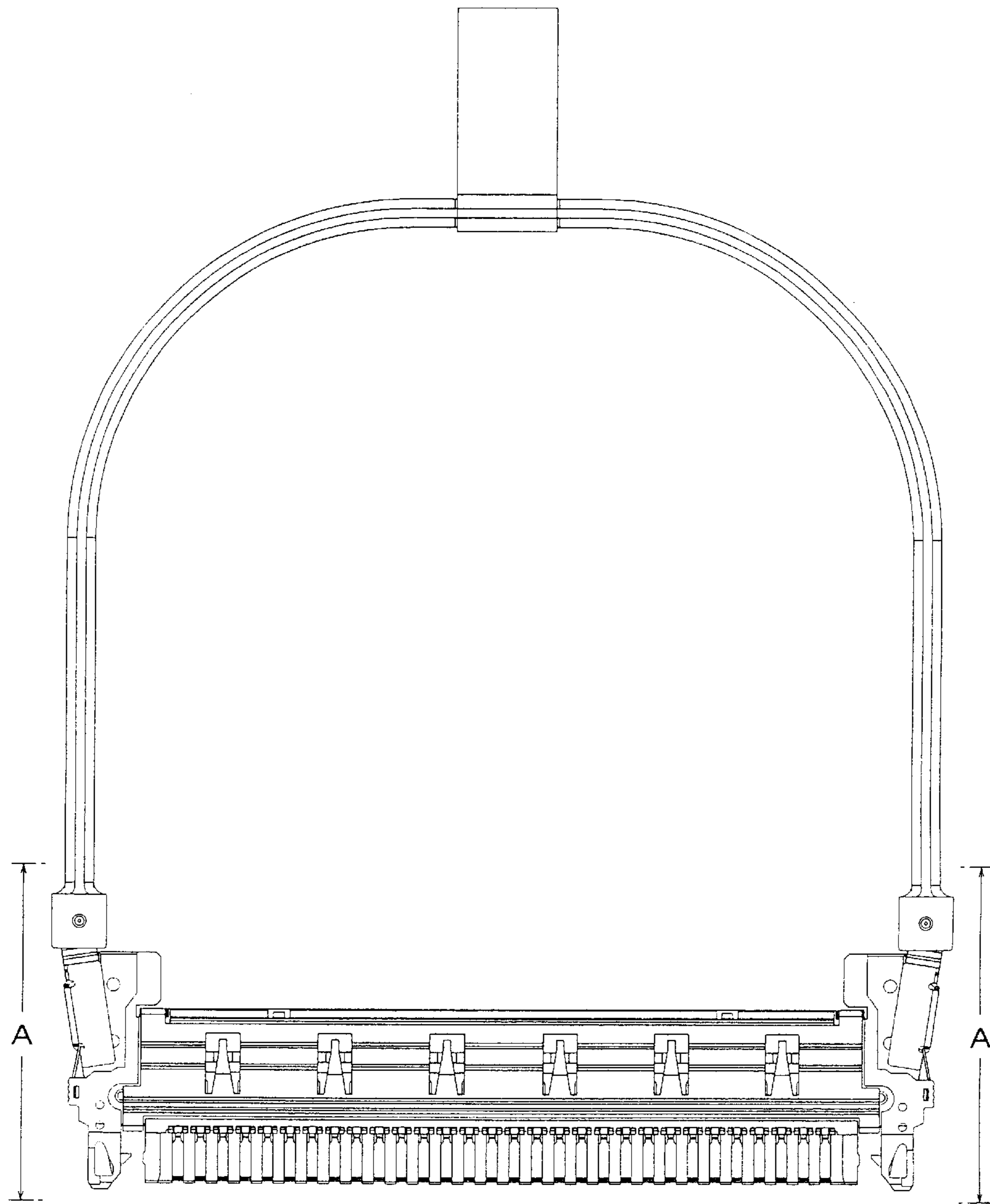


FIG. 3



FIG. 4

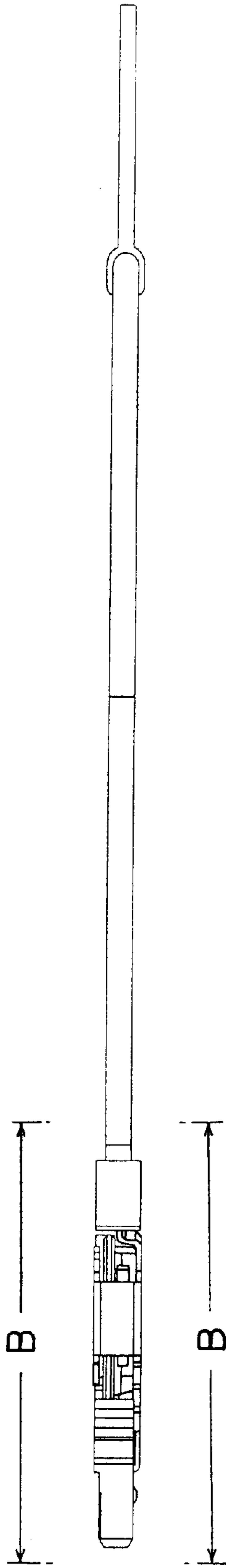


FIG. 5

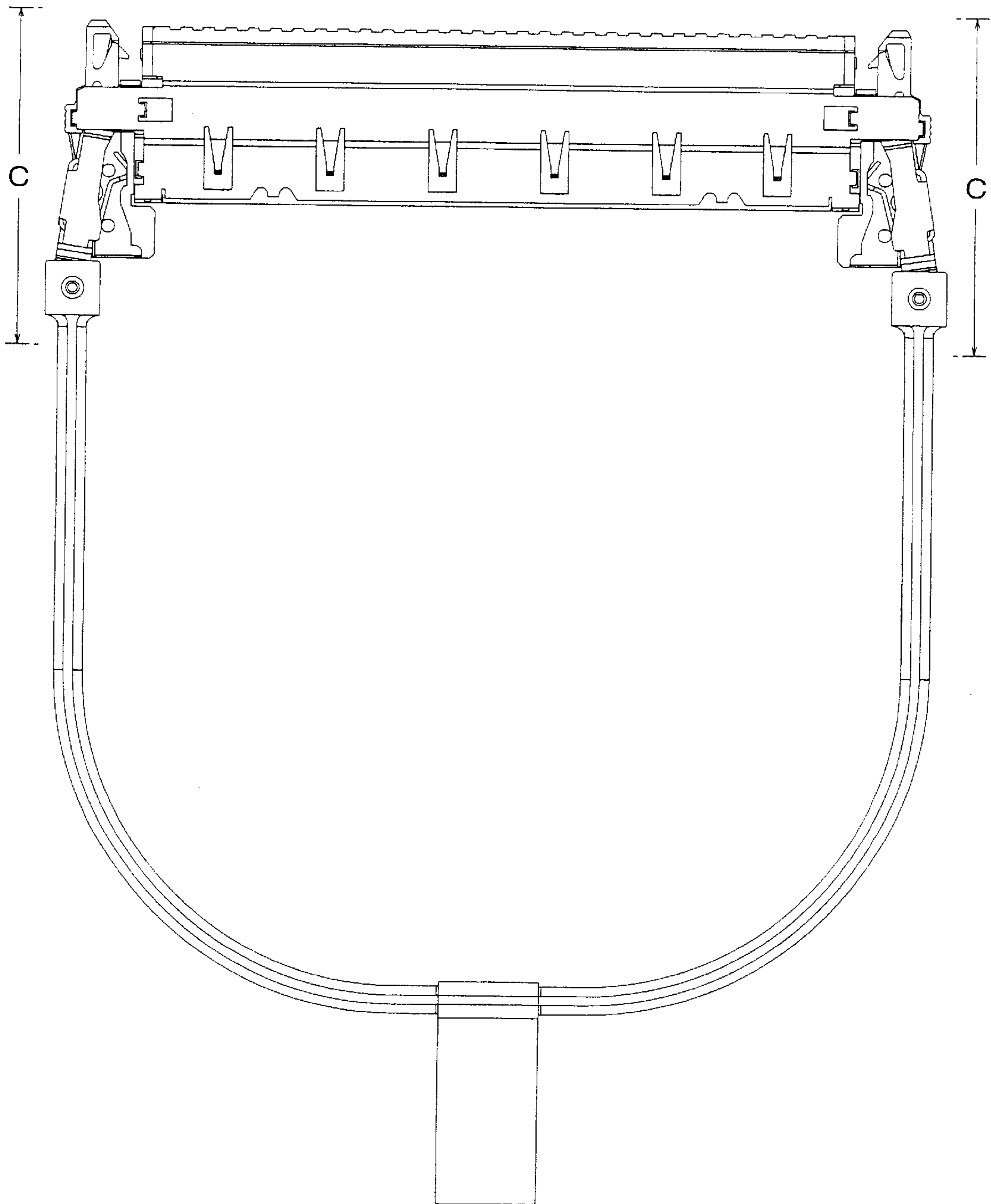


FIG. 6

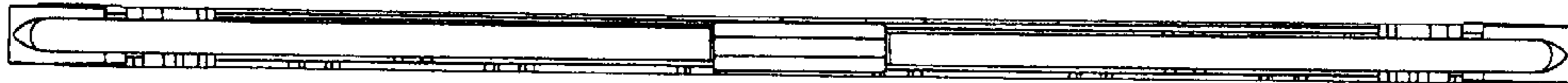
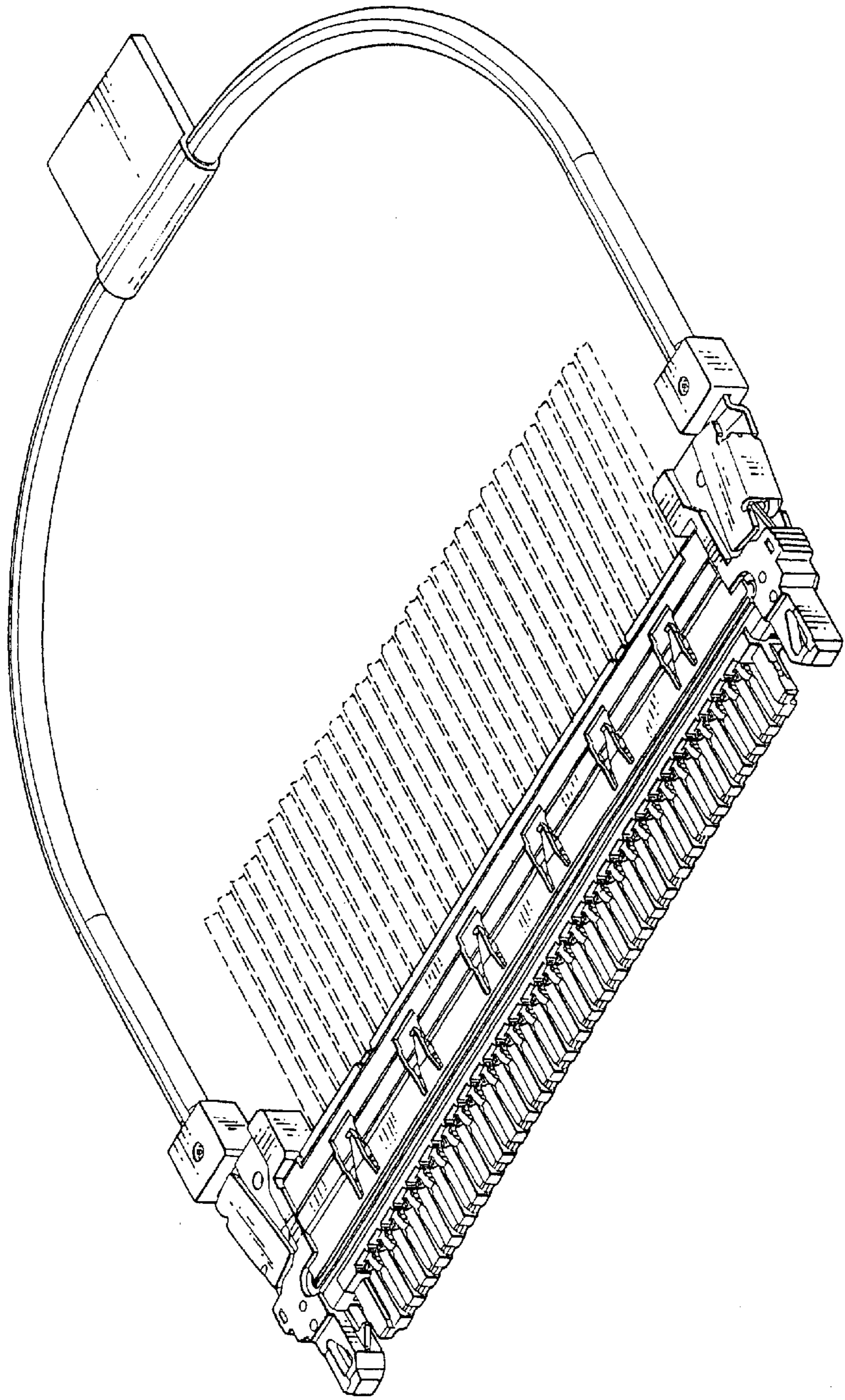




FIG. 7



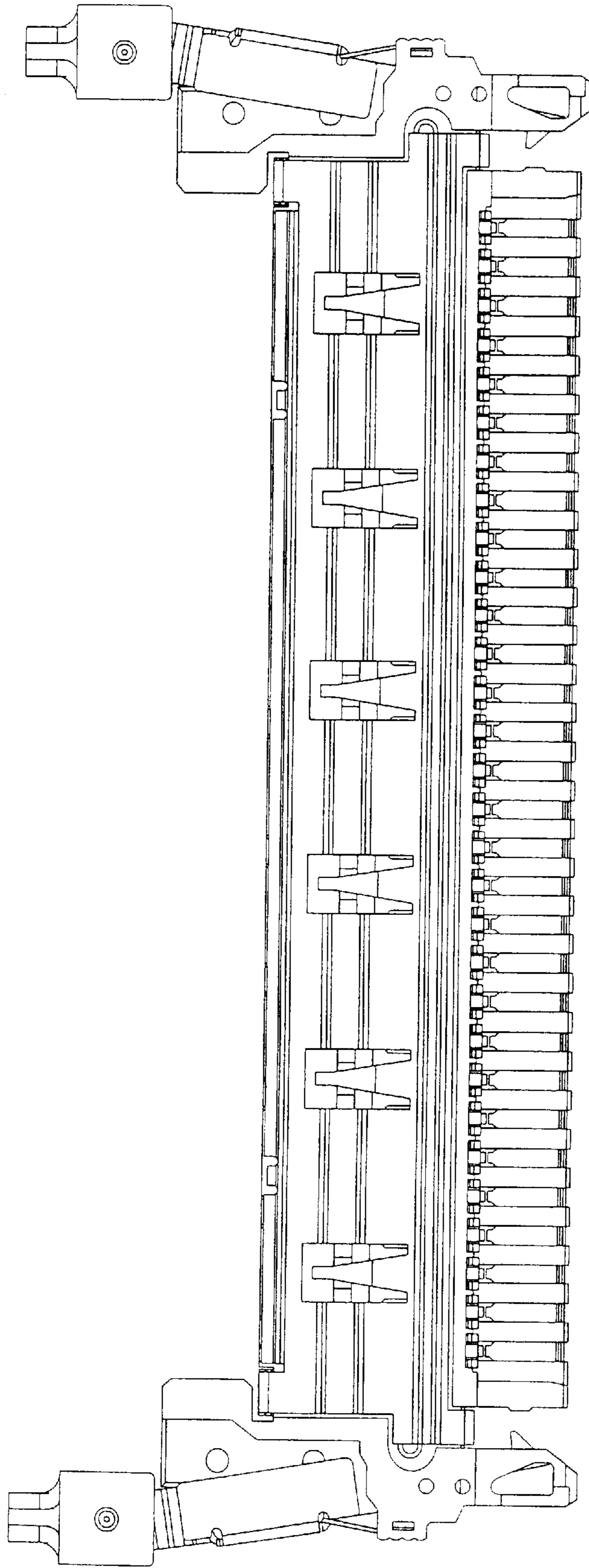


FIG. 8

FIG. 9

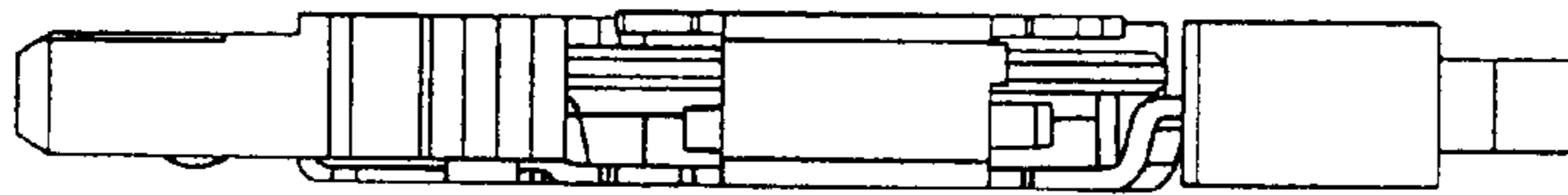


FIG. 10

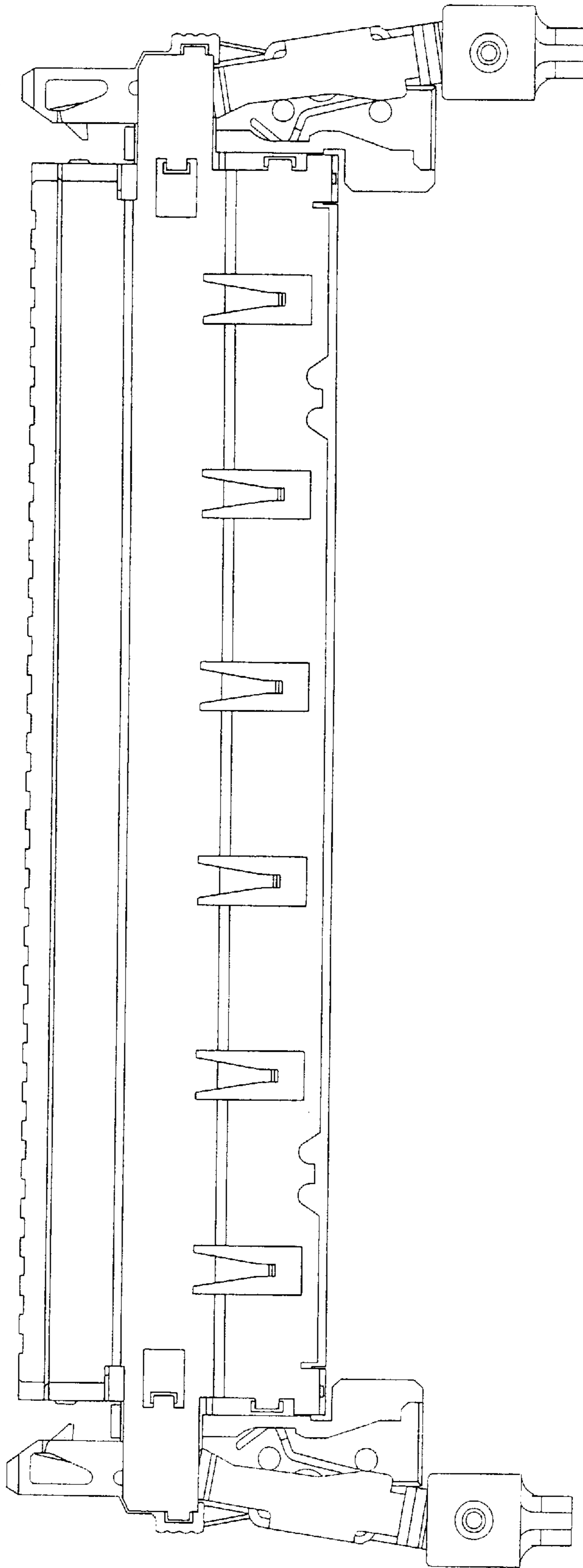


FIG. 11

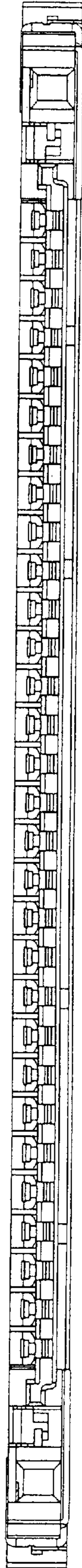


FIG. 12

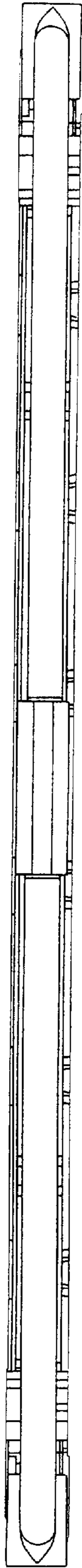


FIG. 13A

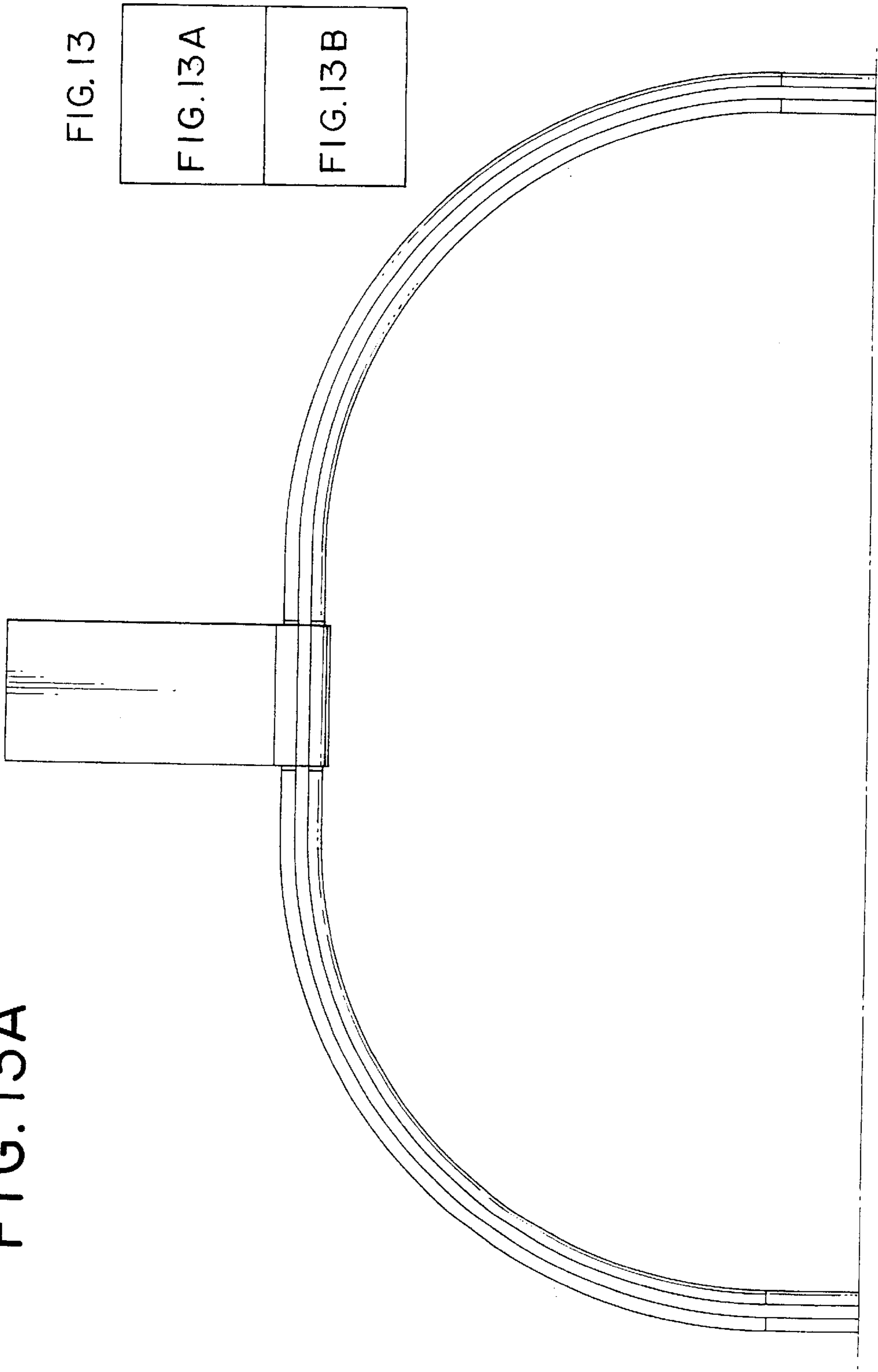


FIG. 13

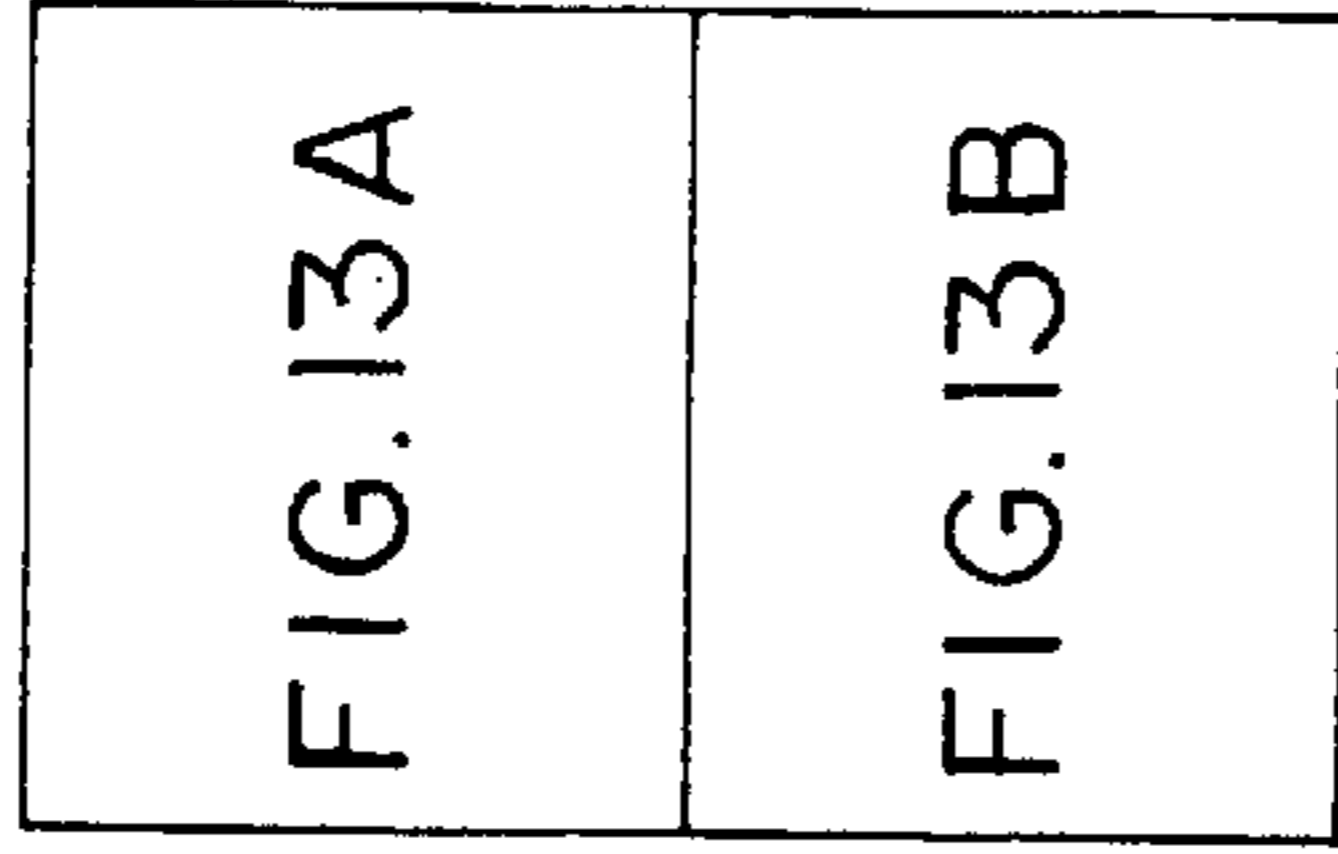


FIG. 13B

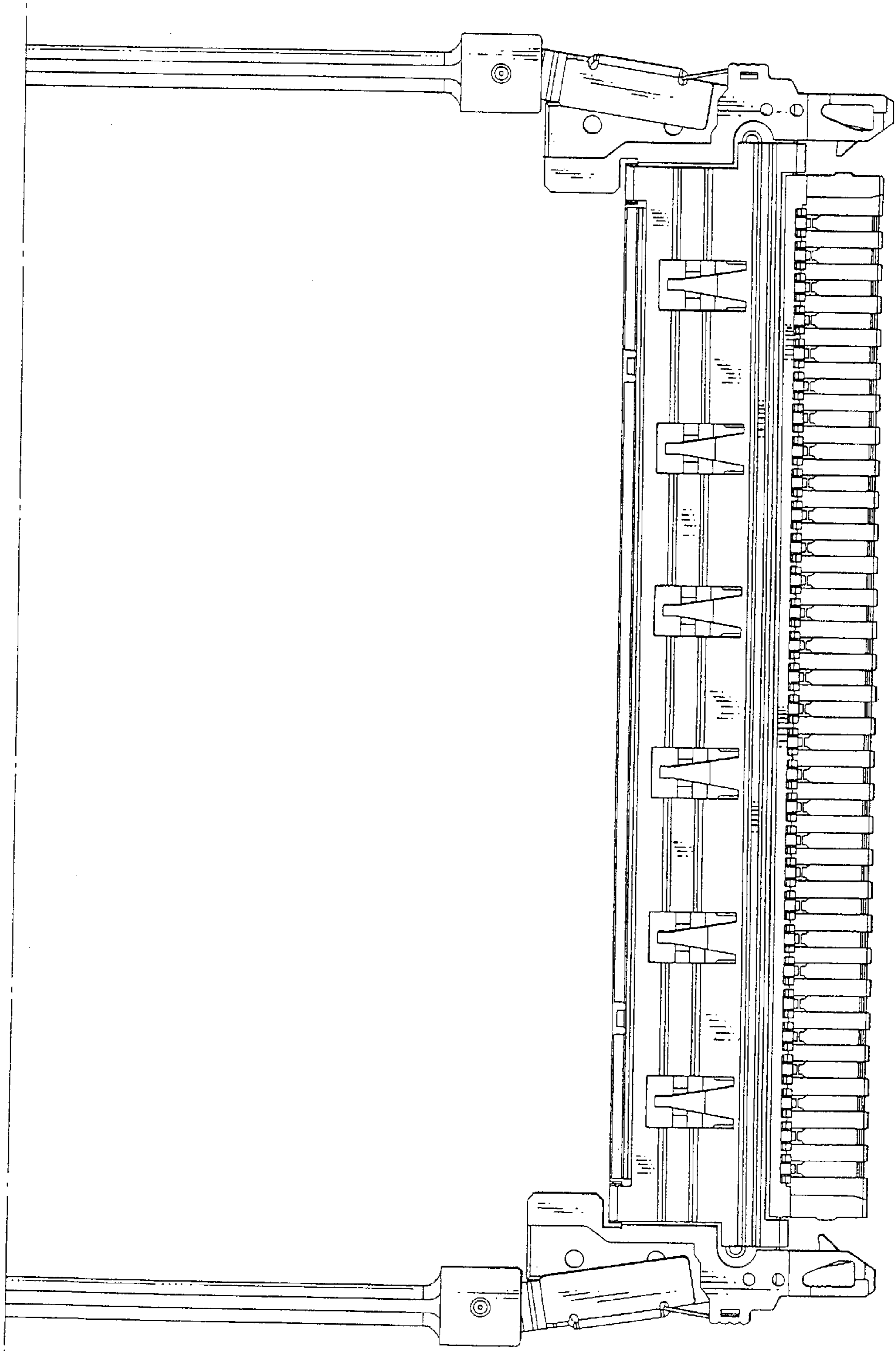




FIG.14A

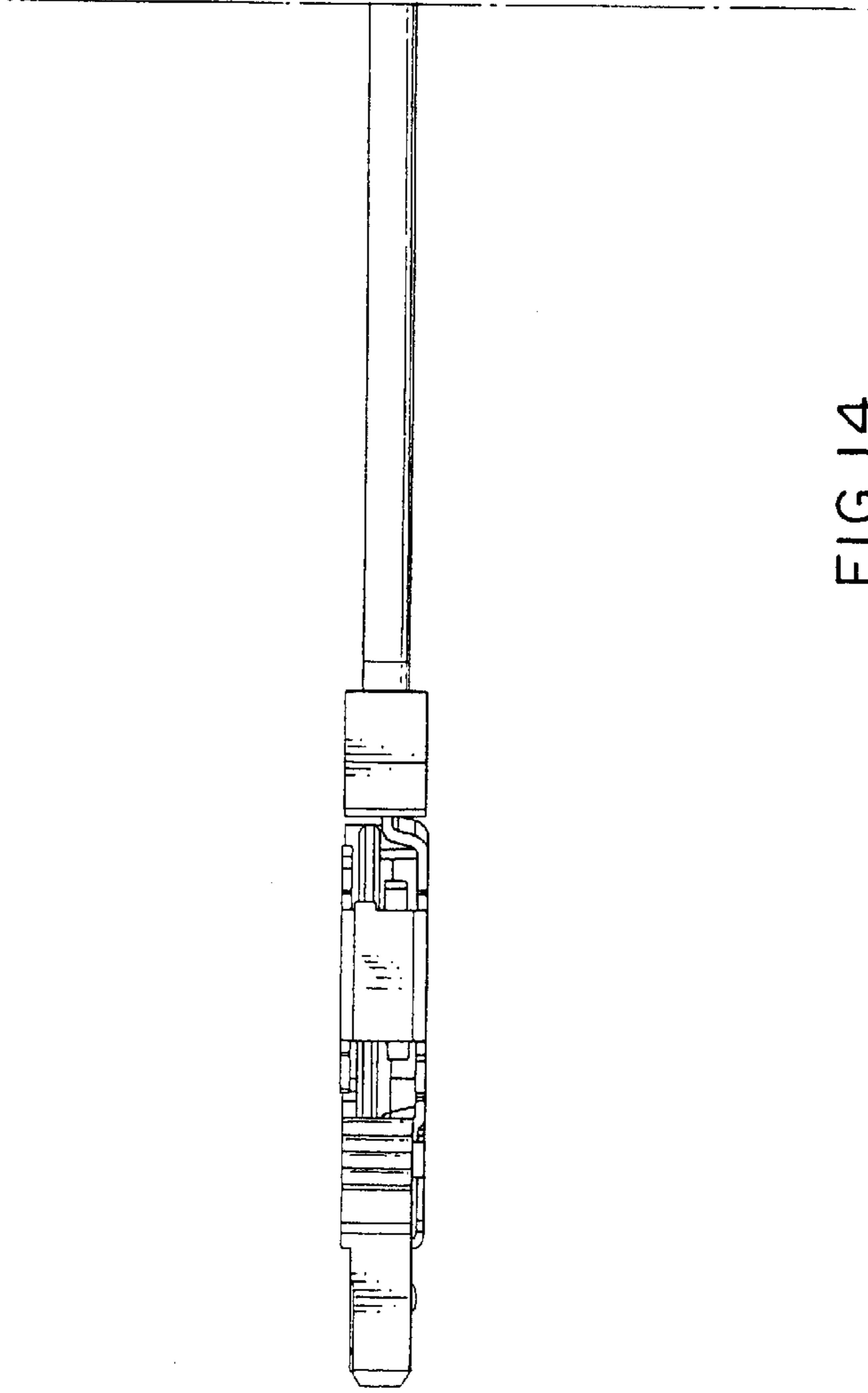


FIG.14

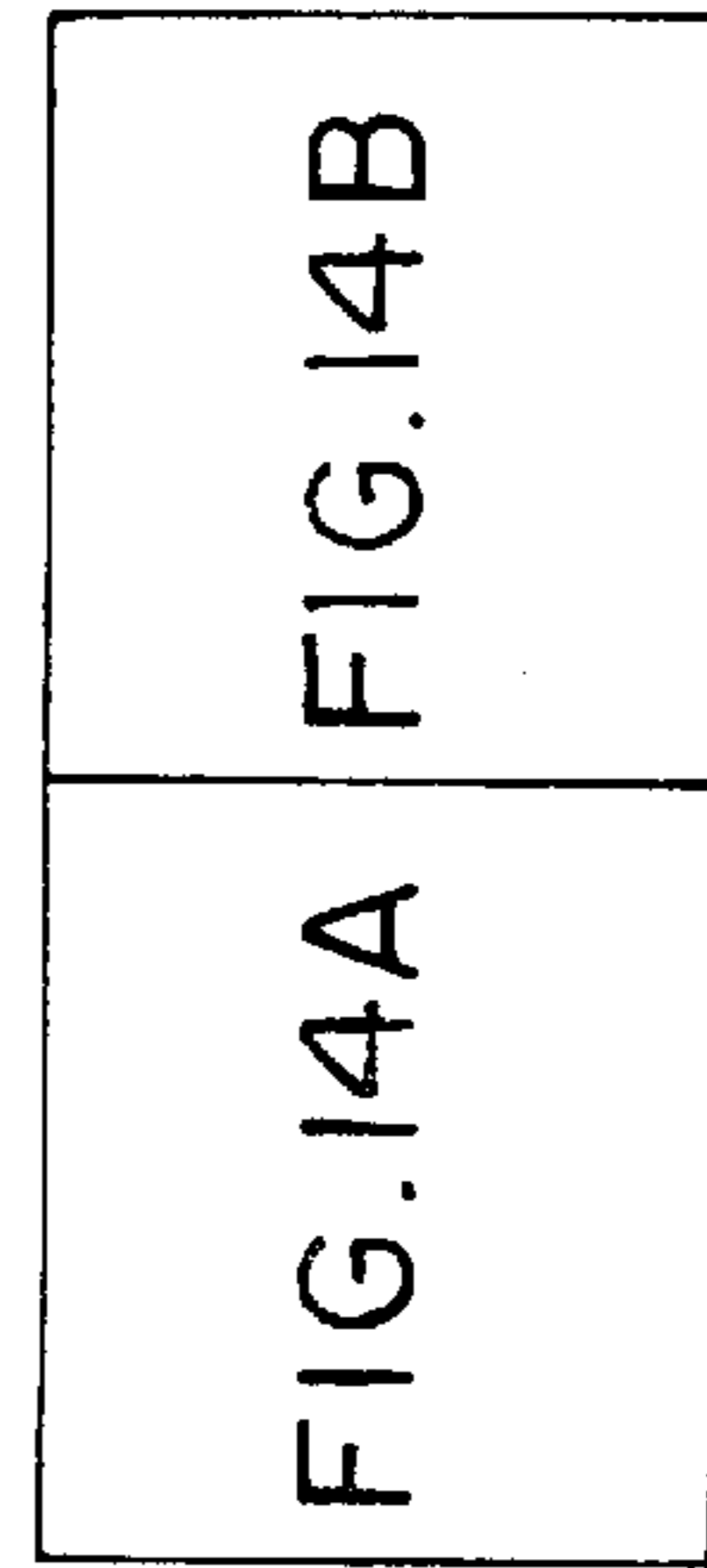


FIG. 14B

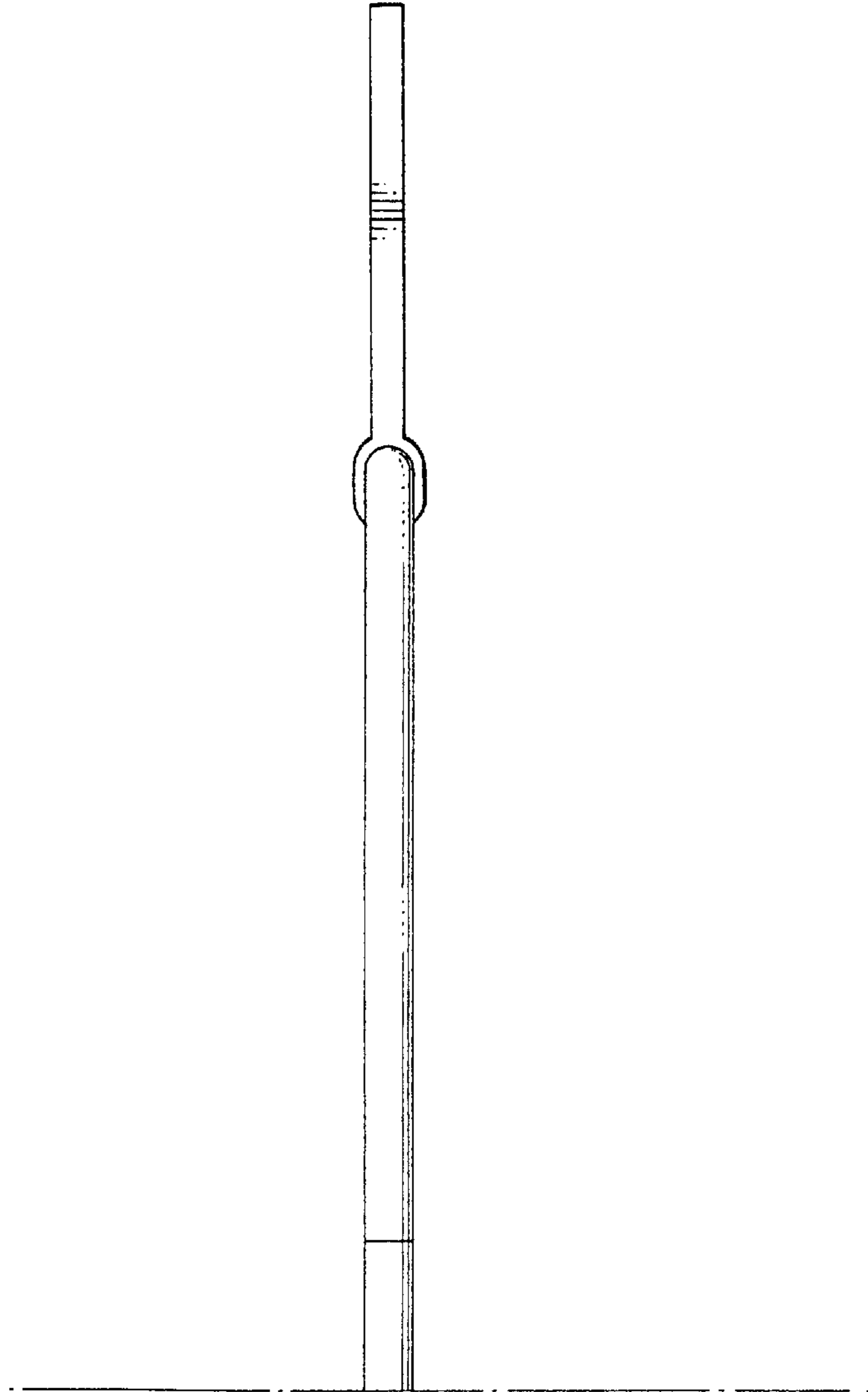


FIG. 15A

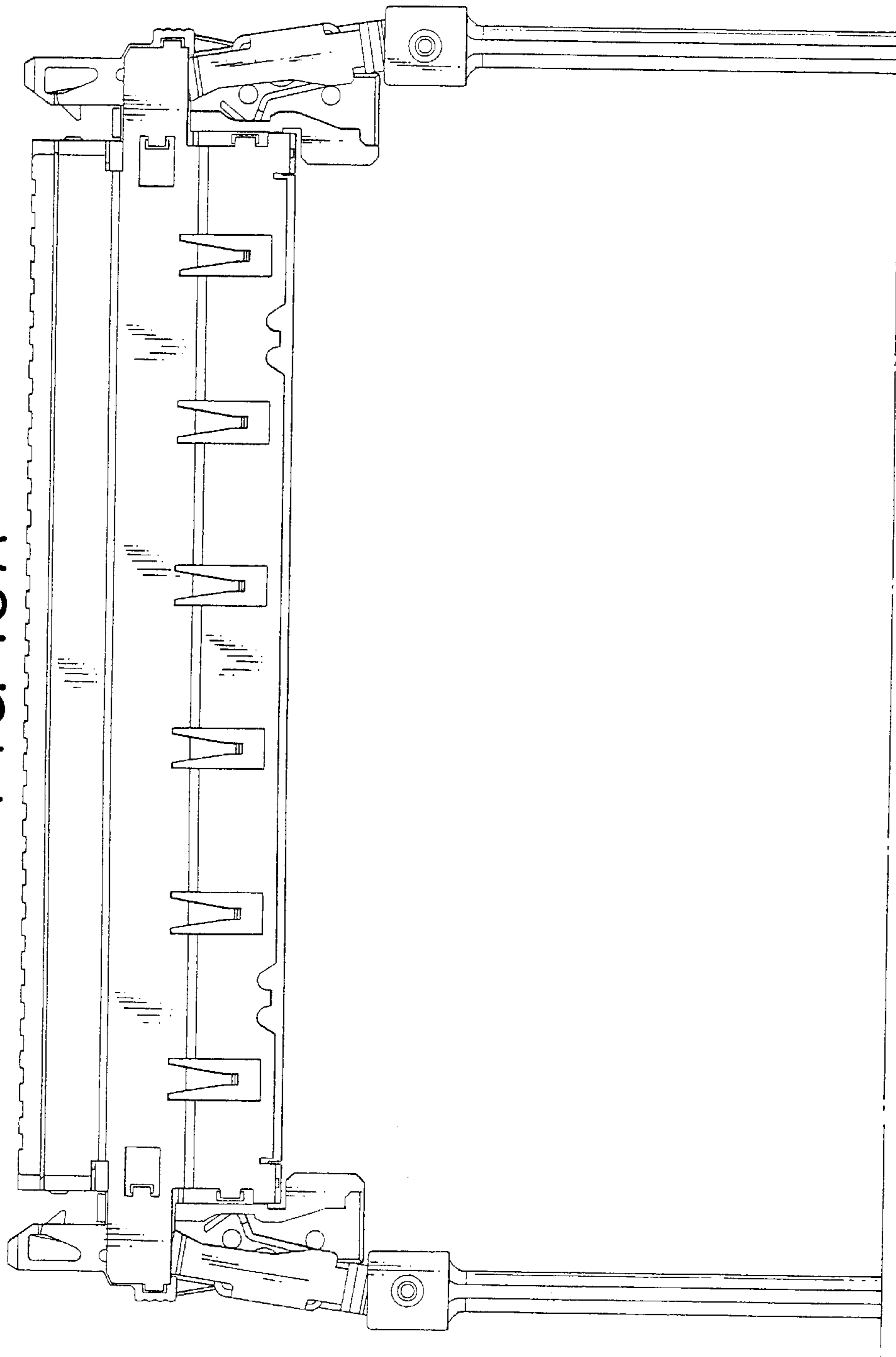


FIG. 15B

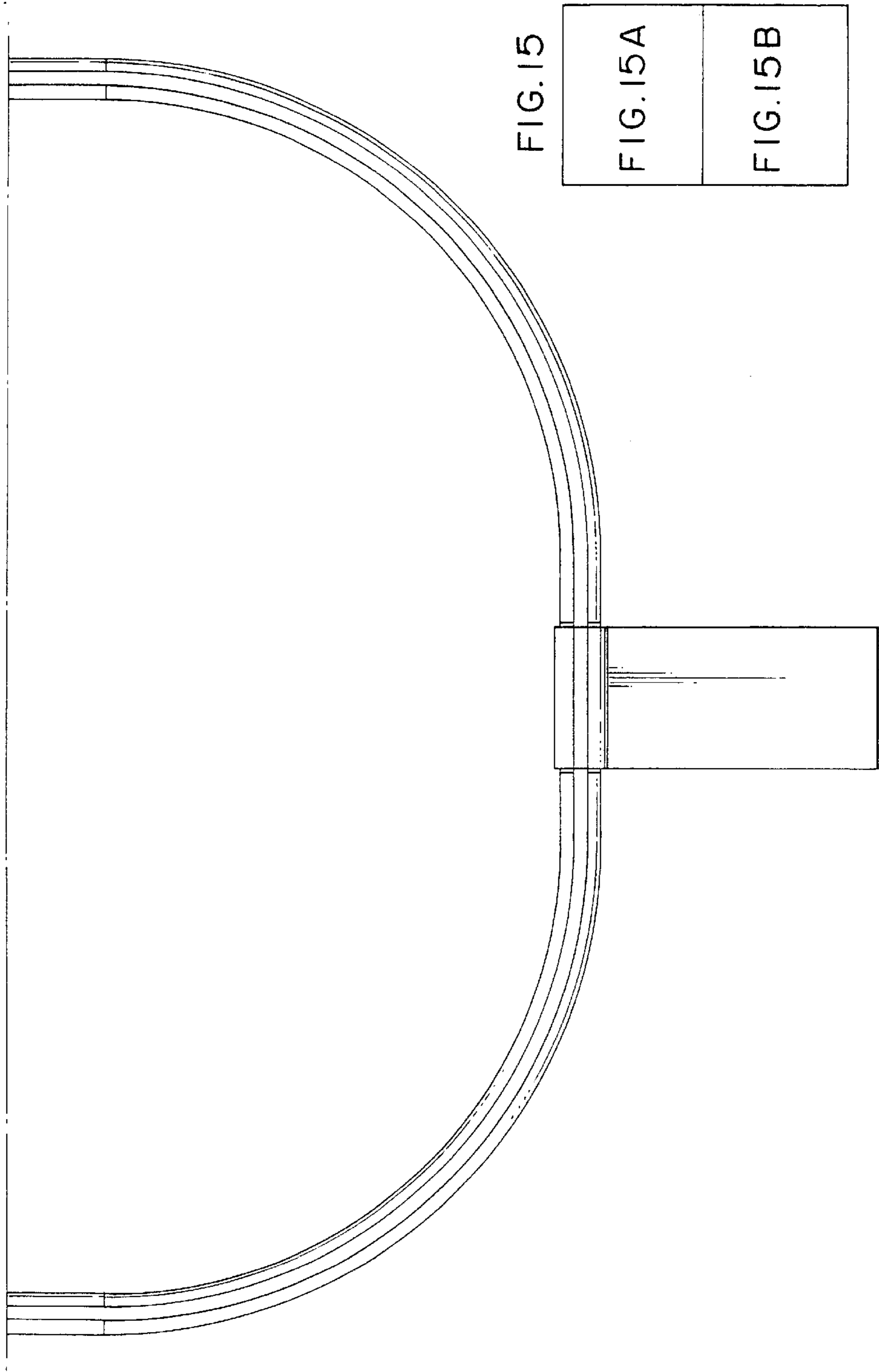


FIG. 15

FIG. 15A

FIG. 15B