



US00D482314S

(12) **United States Design Patent**
McCoy et al.

(10) **Patent No.:** **US D482,314 S**

(45) **Date of Patent:** **** Nov. 18, 2003**

(54) **ACCESSORY RECEIVER UNIT WITH SWINGING ARM**

(75) Inventors: **Richard W. McCoy**, Granger, IN (US);
Jason R. Moldthan, Osceola, IN (US)

(73) Assignee: **Cequent Towing Products, Inc.**,
Plymouth, MI (US)

(**) Term: **14 Years**

(21) Appl. No.: **29/170,350**

(22) Filed: **Nov. 4, 2002**

(51) **LOC (7) Cl.** **12-06**

(52) **U.S. Cl.** **D12/223**

(58) **Field of Search** D12/223, 106,
D12/162, 400, 114; D8/349, 354, 375;
280/402, 480, 495, 407, 416.1; 224/488,
489, 495, 501, 521; 293/117, 106

(56) **References Cited**

U.S. PATENT DOCUMENTS

3,202,332	A	8/1965	Walker	
4,221,311	A	9/1980	Penn	
4,950,310	A	* 8/1990	Rieck et al.	293/117
5,094,373	A	3/1992	Lovci	
5,439,151	A	8/1995	Clayton	
5,544,799	A	8/1996	Didlake	
D376,336	S	* 12/1996	Unruh	D12/106
5,806,737	A	9/1998	Clark	
5,836,494	A	11/1998	Grunsted et al.	
5,842,615	A	12/1998	Goodness	

5,884,826	A	3/1999	Shaver	
D429,208	S	* 8/2000	McCoy et al.	D12/223
6,126,053	A	10/2000	Shaver	
D439,558	S	* 3/2001	Potter	D12/223
6,237,823	B1	5/2001	Stewart et al.	
6,386,410	B1	5/2002	Van Dusen et al.	
D458,576	S	* 6/2002	McCoy et al.	D12/223
D462,045	S	* 8/2002	Rue	D12/223
6,428,031	B1	* 8/2002	McCoy et al.	280/495
D472,189	S	* 3/2003	McCoy et al.	D12/162
D472,190	S	* 3/2003	McCoy et al.	D12/223

* cited by examiner

Primary Examiner—Melody N. Brown

(74) *Attorney, Agent, or Firm*—King & Schickli, PLLC

(57) **CLAIM**

The ornamental design of an accessory receiver unit with swinging arm, as shown and described.

DESCRIPTION

FIG. 1 is a perspective view of the accessory receiver unit with swinging arm of the present invention;
FIG. 2 is a top plan view thereof;
FIG. 3 is a front elevational view thereof;
FIG. 4 is a right side elevational view thereof;
FIG. 5 is a left side elevational view thereof;
FIG. 6 is a rear elevational view thereof; and,
FIG. 7 is a bottom plan view thereof.

The broken lines shown in FIGS. 3–6 are for illustrative purposes only and form no part of the claimed design.

1 Claim, 6 Drawing Sheets

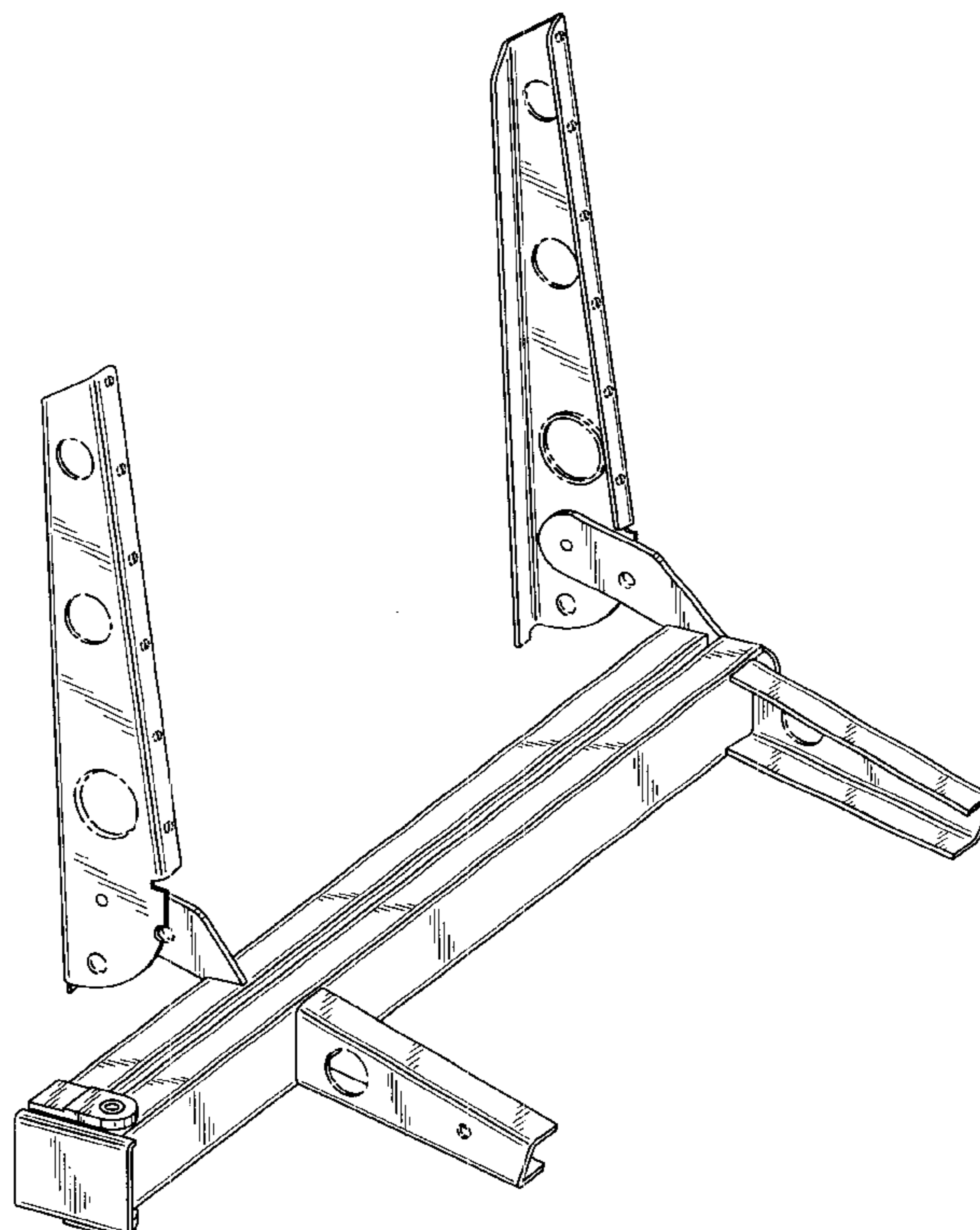


FIG. 1

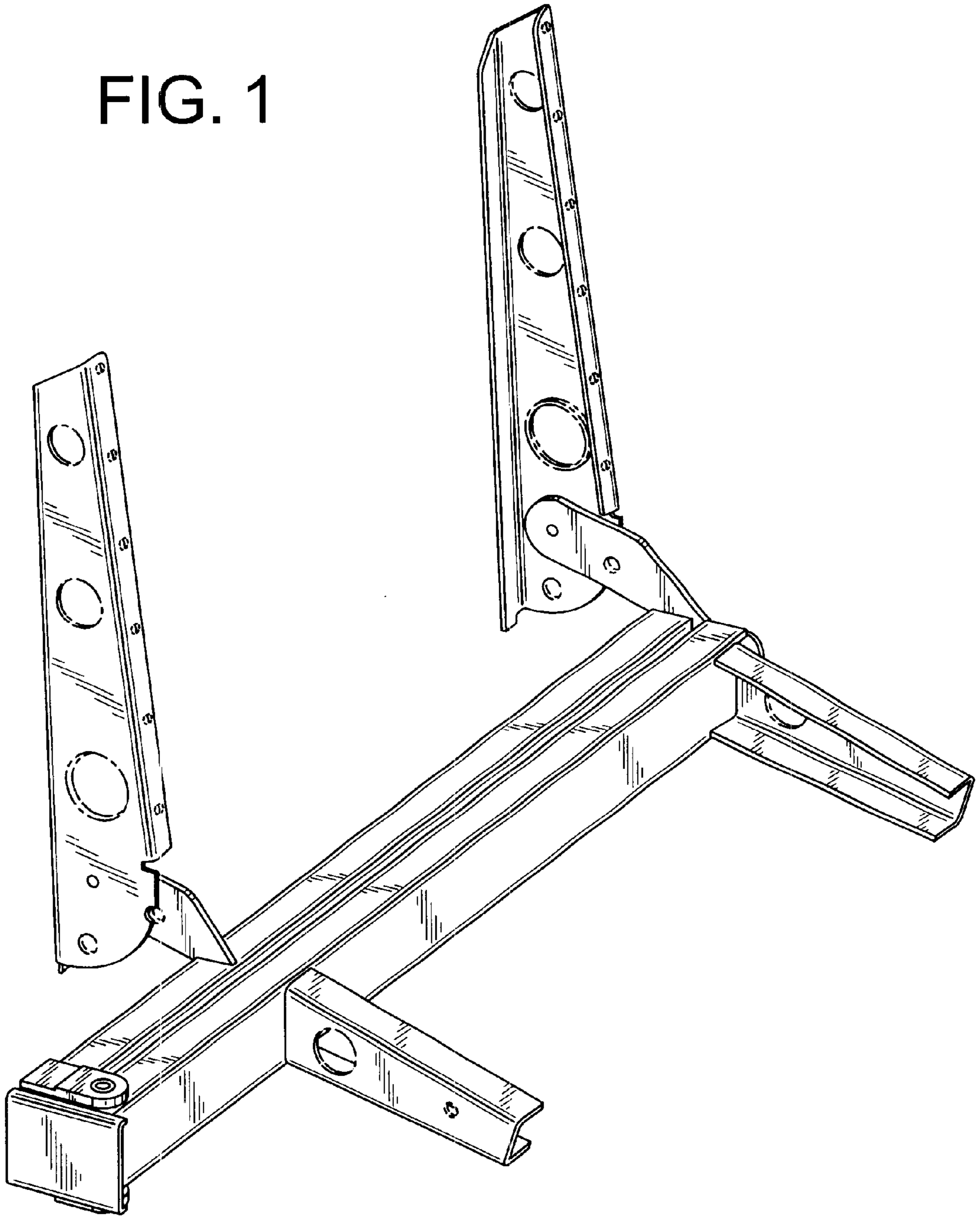
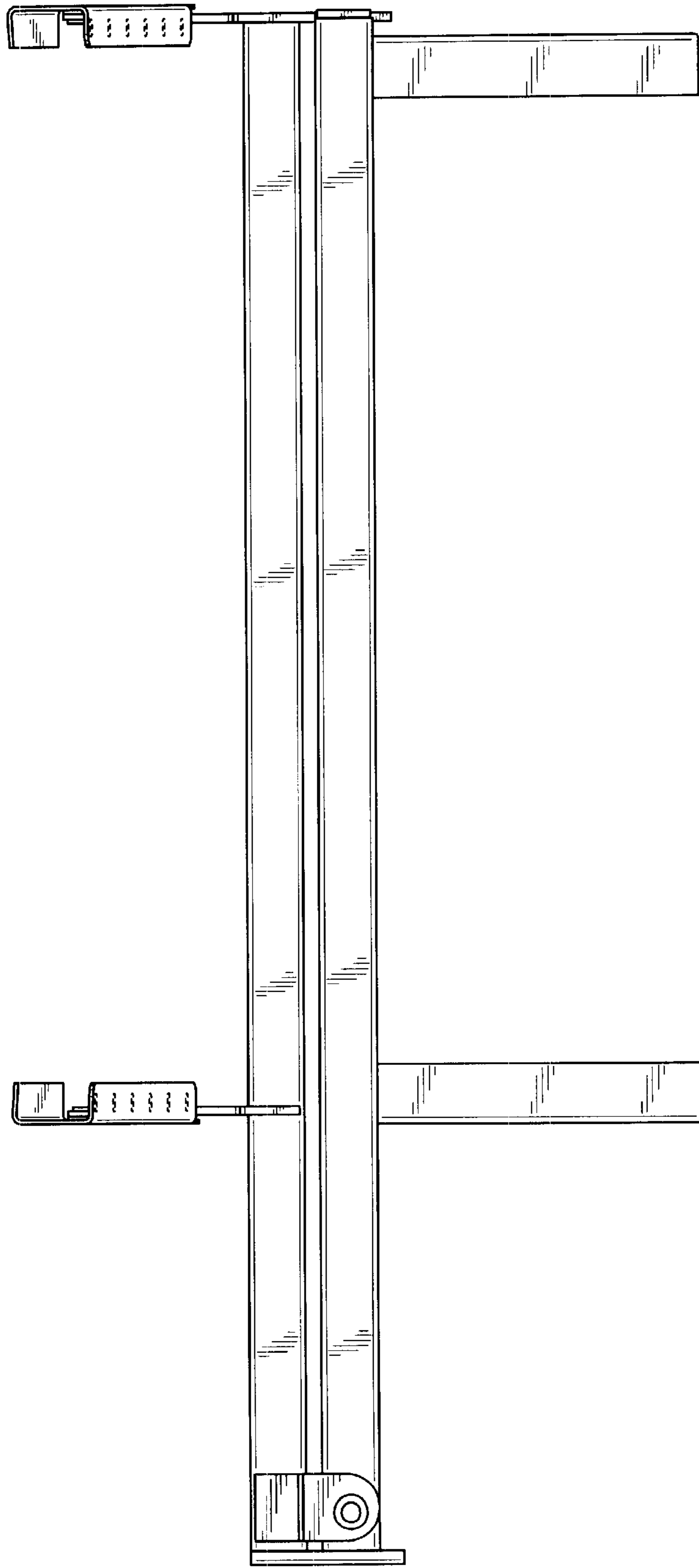


FIG. 2



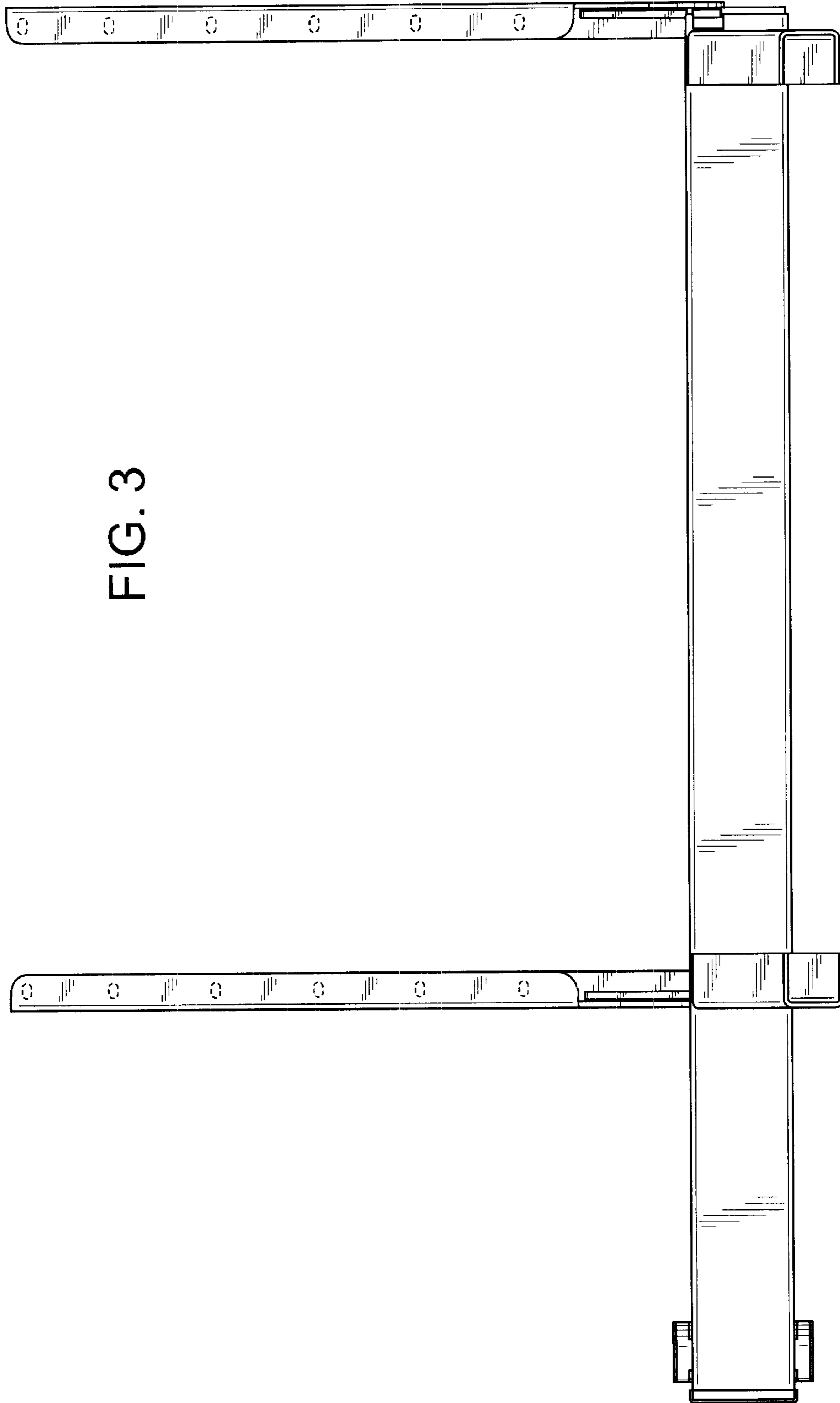


FIG. 3

FIG. 4

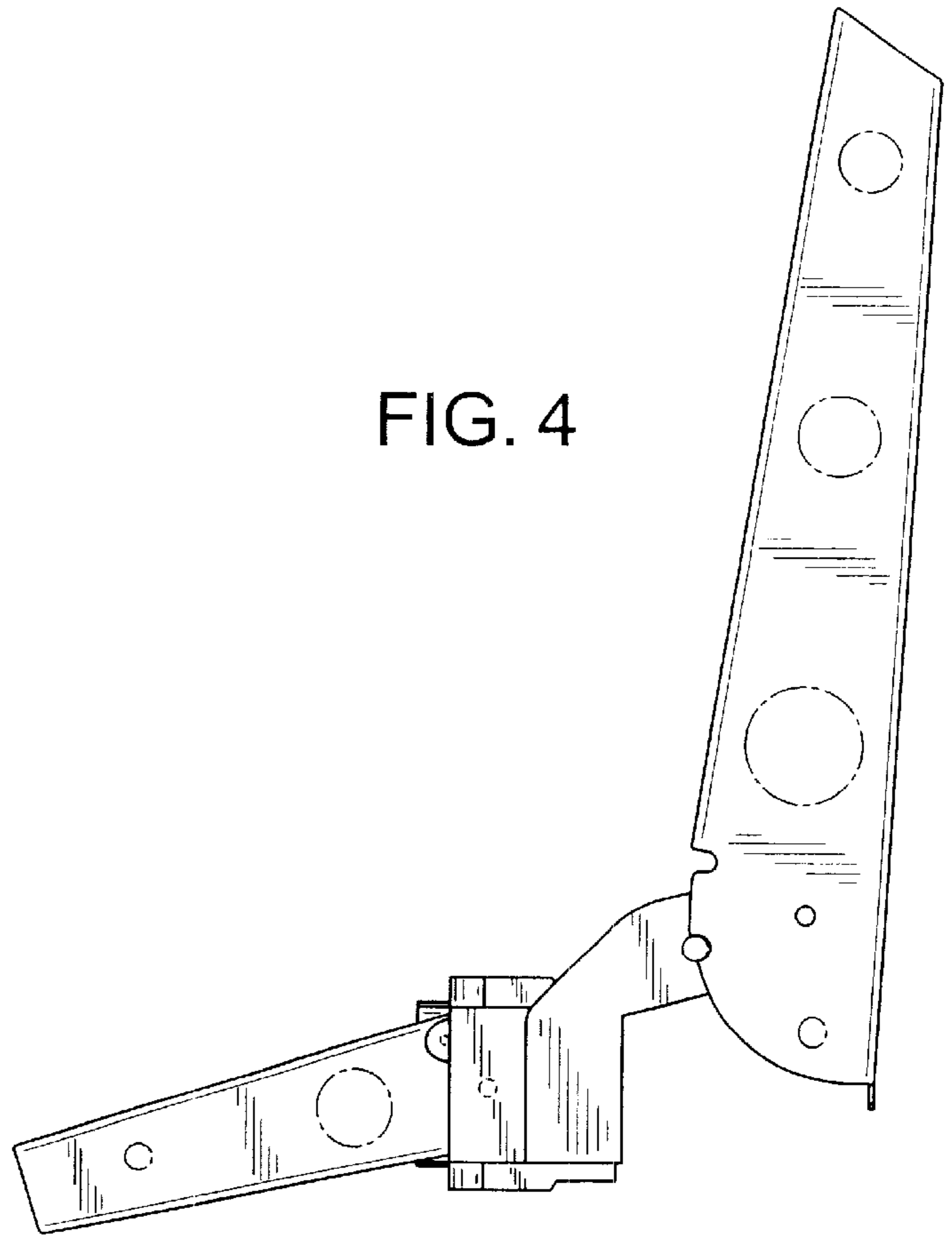
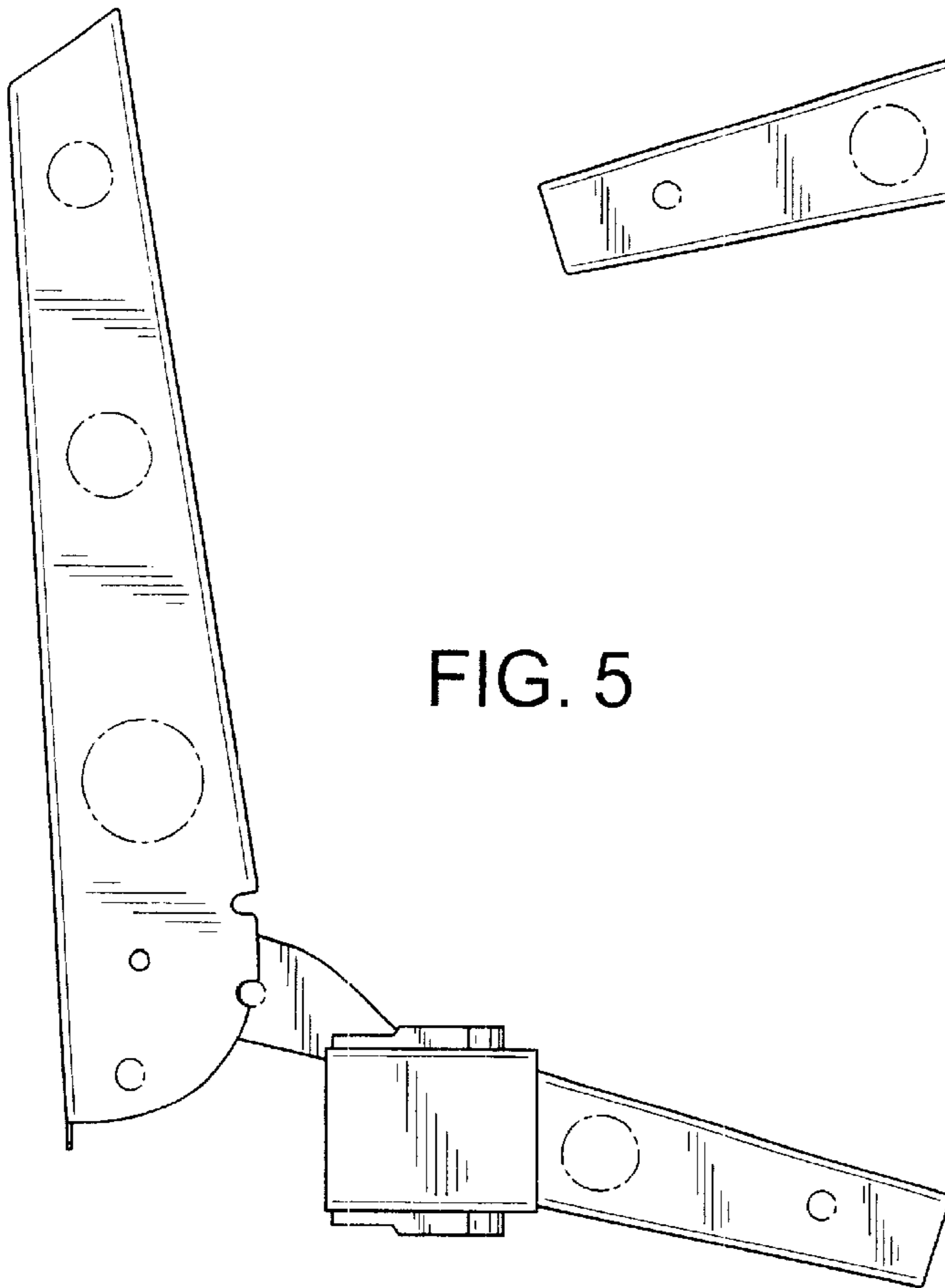


FIG. 5



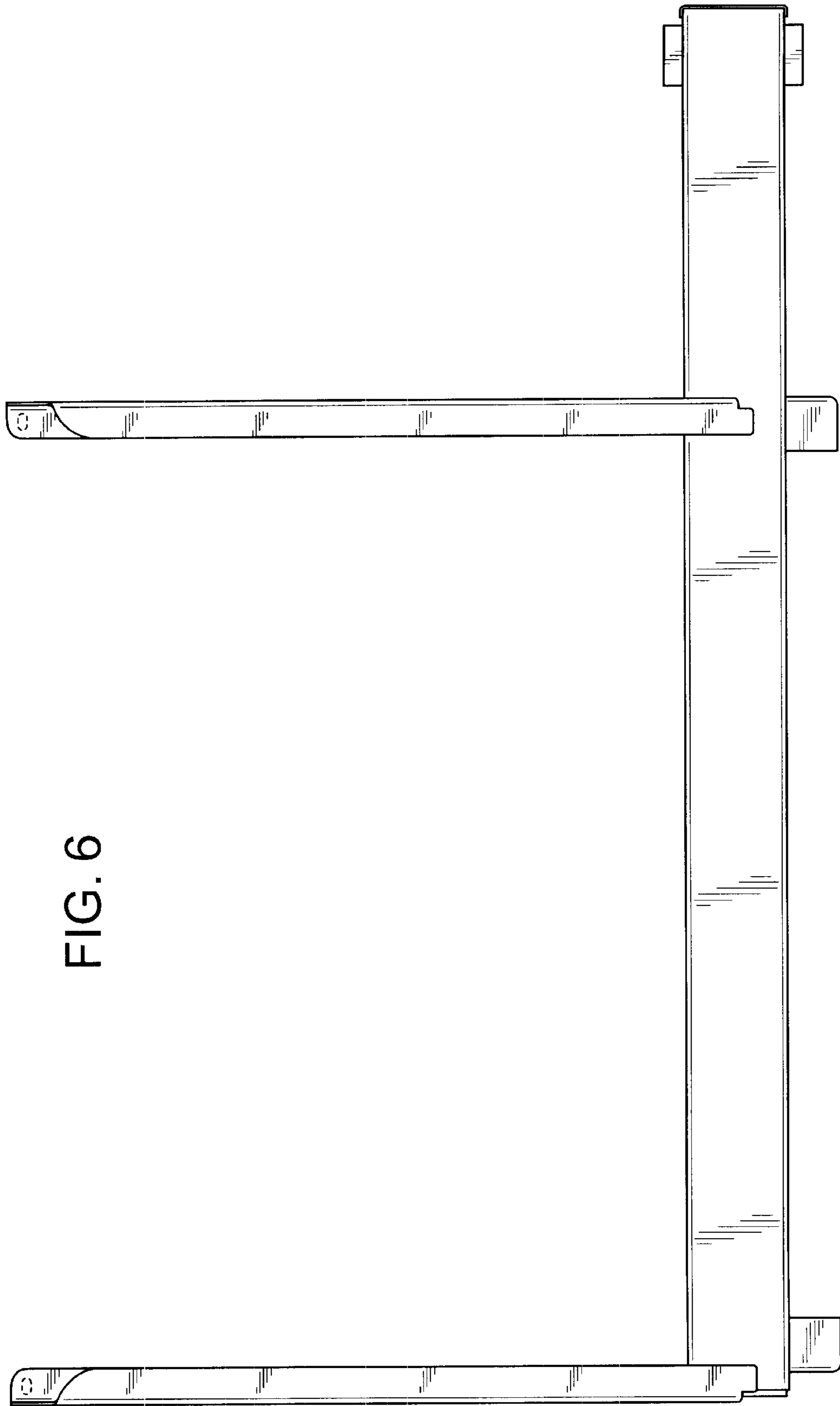


FIG. 6

FIG. 7

