



US00D482312S

(12) **United States Design Patent**
McCoy et al.

(10) **Patent No.:** **US D482,312 S**

(45) **Date of Patent:** **** Nov. 18, 2003**

(54) **ACCESSORY ADAPTOR FOR A VEHICLE**

(75) Inventors: **Richard W. McCoy**, Granger, IN (US);
Jason R. Moldthan, Osceola, IN (US)

(73) Assignee: **Cequent Towing Products, Inc.**,
Plymouth, MI (US)

(**) Term: **14 Years**

(21) Appl. No.: **29/170,160**

(22) Filed: **Nov. 1, 2002**

(51) **LOC (7) Cl.** **12-06**

(52) **U.S. Cl.** **D12/223**

(58) **Field of Search** D12/223, 114;
D8/349, 354, 363; 248/27.1, 229, 300;
293/106, 117

(56) **References Cited**

U.S. PATENT DOCUMENTS

- 4,950,010 A * 8/1990 Denny et al. 293/117
- D429,208 S * 8/2000 McCoy et al. D12/223
- D448,717 S 10/2001 Hanson et al.
- D449,029 S 10/2001 Hanson et al.
- D449,268 S 10/2001 Hanson et al.
- D463,353 S * 9/2002 McCoy et al. D12/223

- D464,013 S 10/2002 Adams et al.
- D464,014 S 10/2002 Adams et al.
- D464,309 S * 10/2002 McCoy et al. D12/223
- D472,189 S * 3/2003 McCoy et al. D12/223 X
- D472,190 S * 3/2003 McCoy et al. D12/223

* cited by examiner

Primary Examiner—Melody N. Brown

(74) *Attorney, Agent, or Firm*—King & Schickli, PLLC

(57) **CLAIM**

The ornamental design of an accessory adaptor for a vehicle,
as shown and described.

DESCRIPTION

FIG. 1 is a perspective view of the accessory adaptor for a vehicle of the present invention;
 FIG. 2 is a right side elevational view thereof;
 FIG. 3 is a front elevational view thereof;
 FIG. 4 is a left side elevational thereof;
 FIG. 5 is a rear elevational view thereof;
 FIG. 6 is a top plan view thereof; and,
 FIG. 7 is a bottom plan view thereof.

The broken lines shown in FIGS. 1–5 are for illustrative purposes only and form no part of the claimed design.

1 Claim, 3 Drawing Sheets

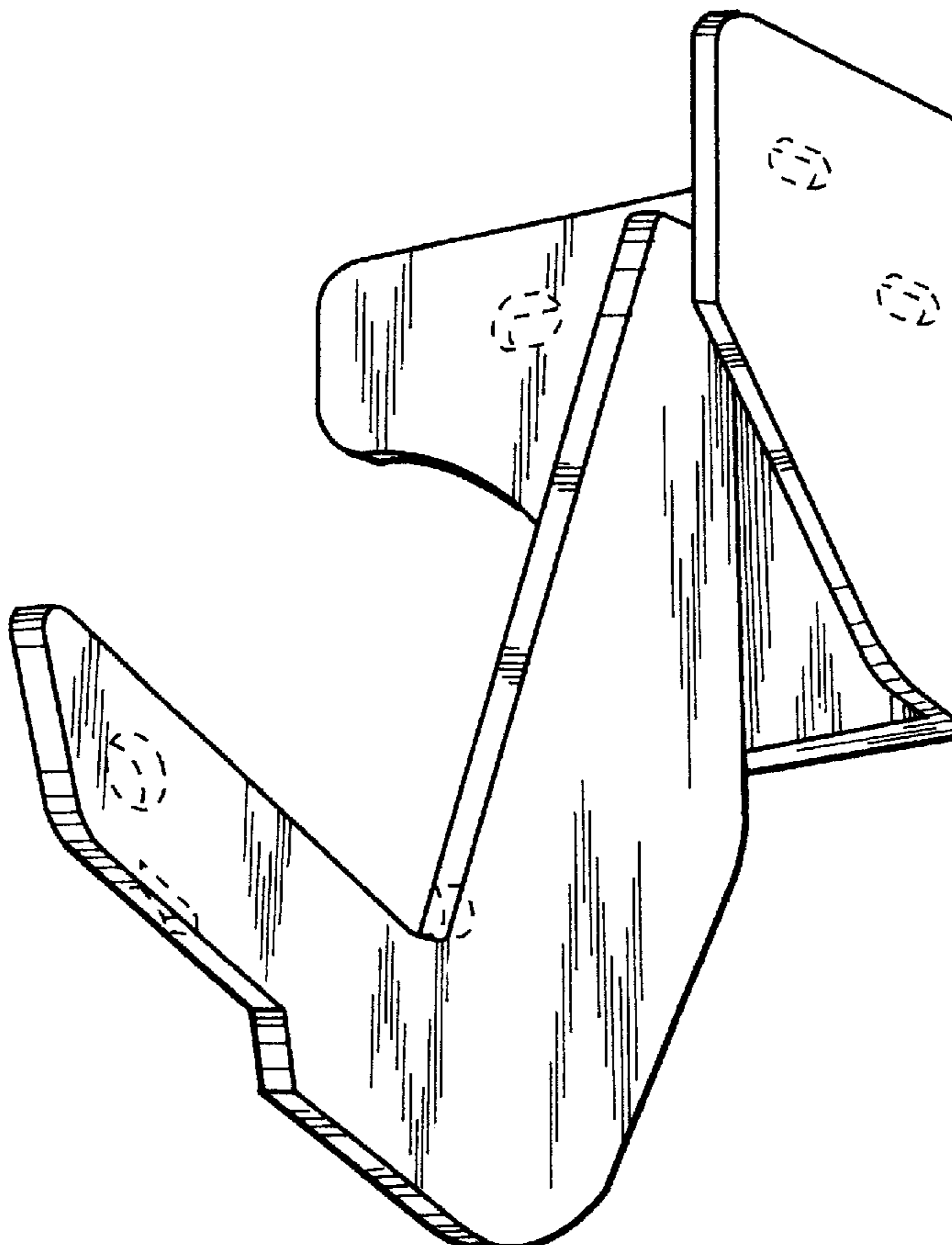


Fig. 1

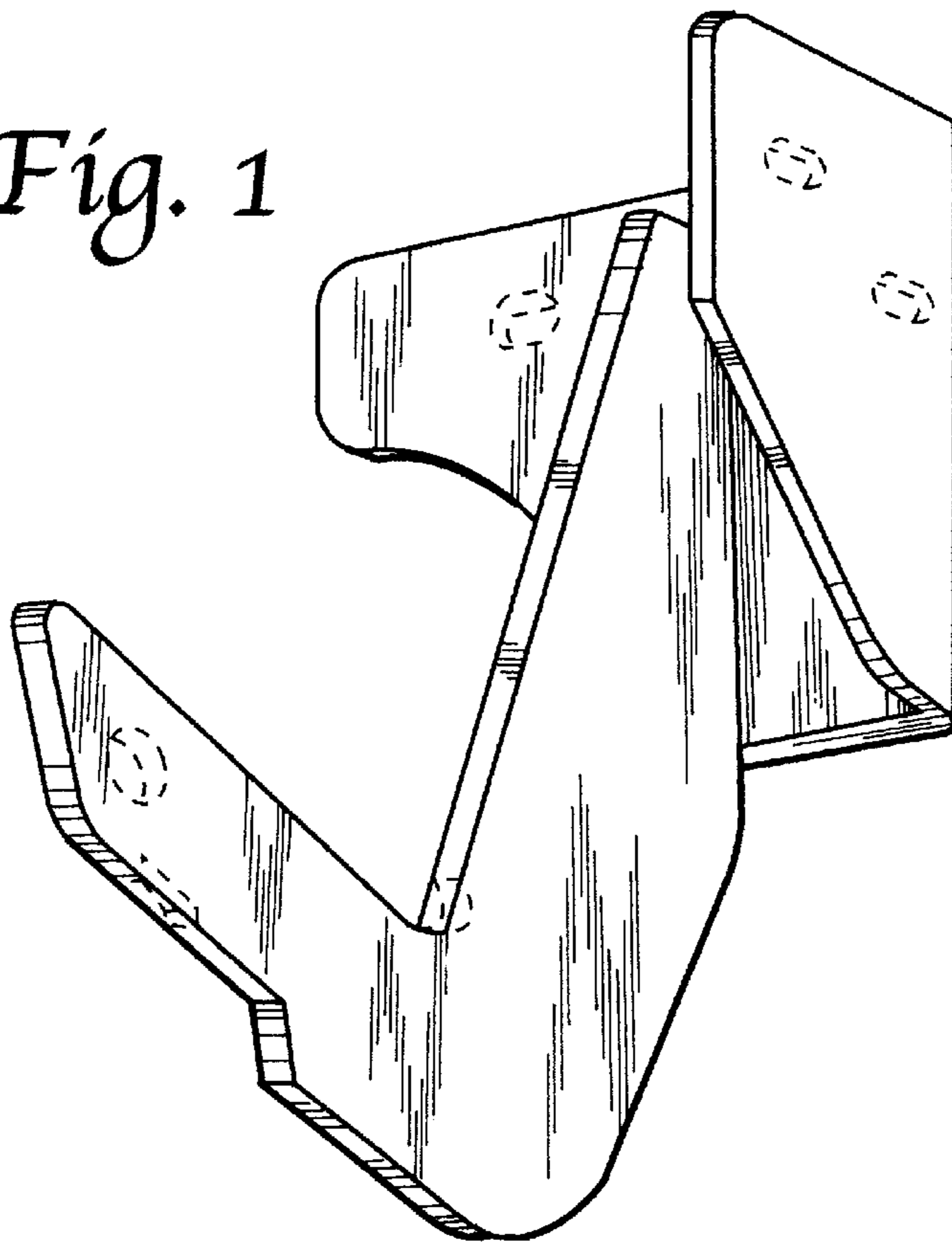
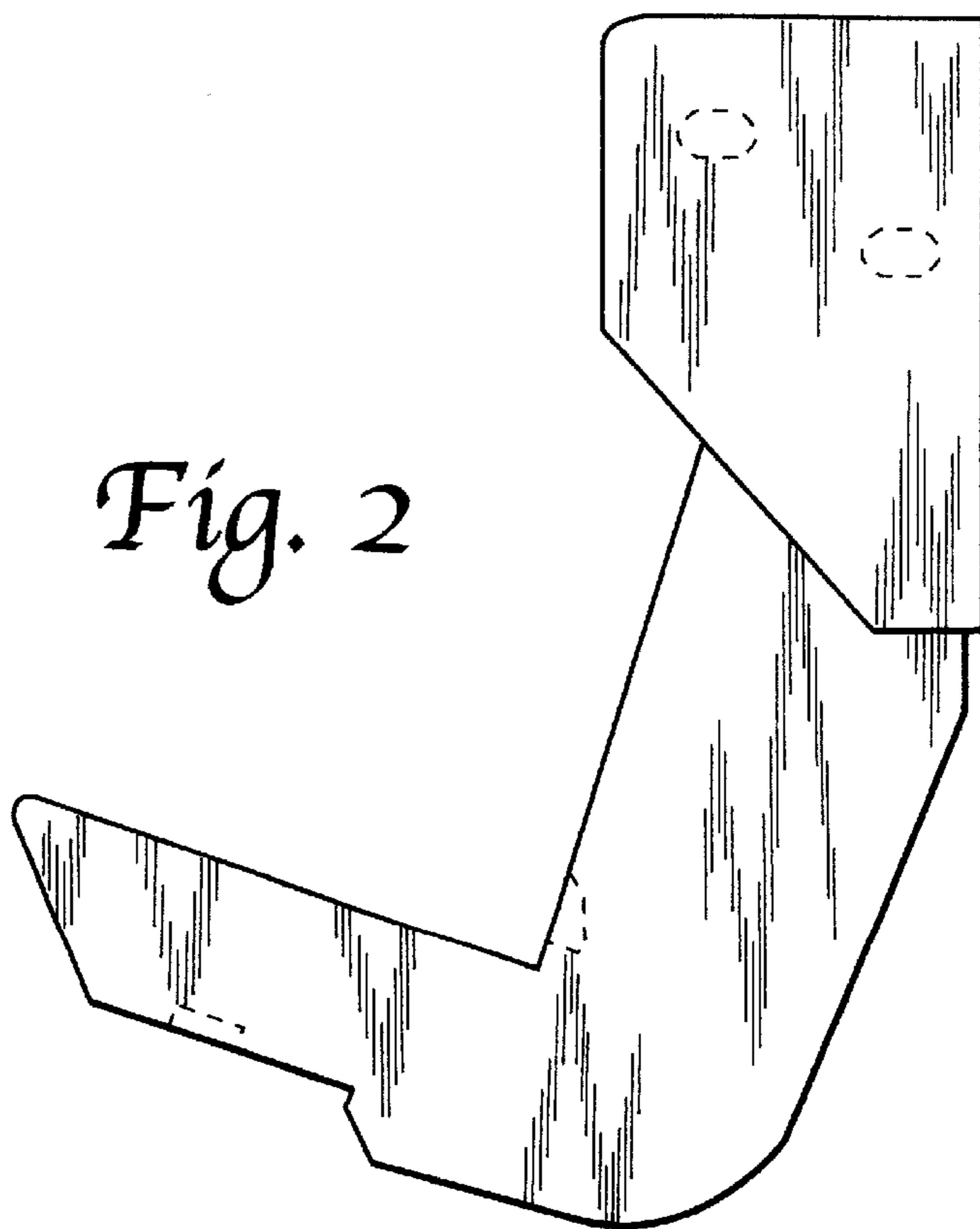
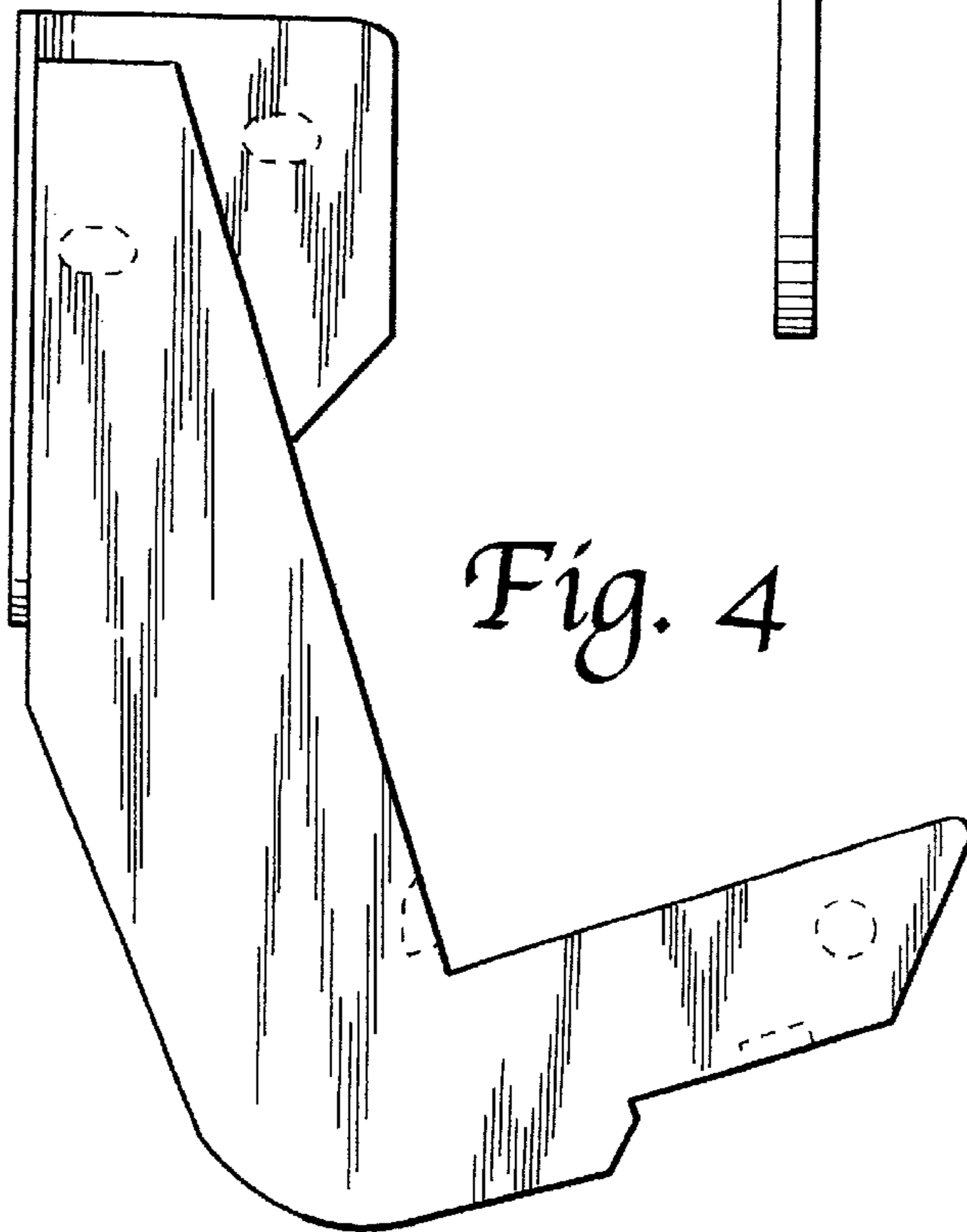
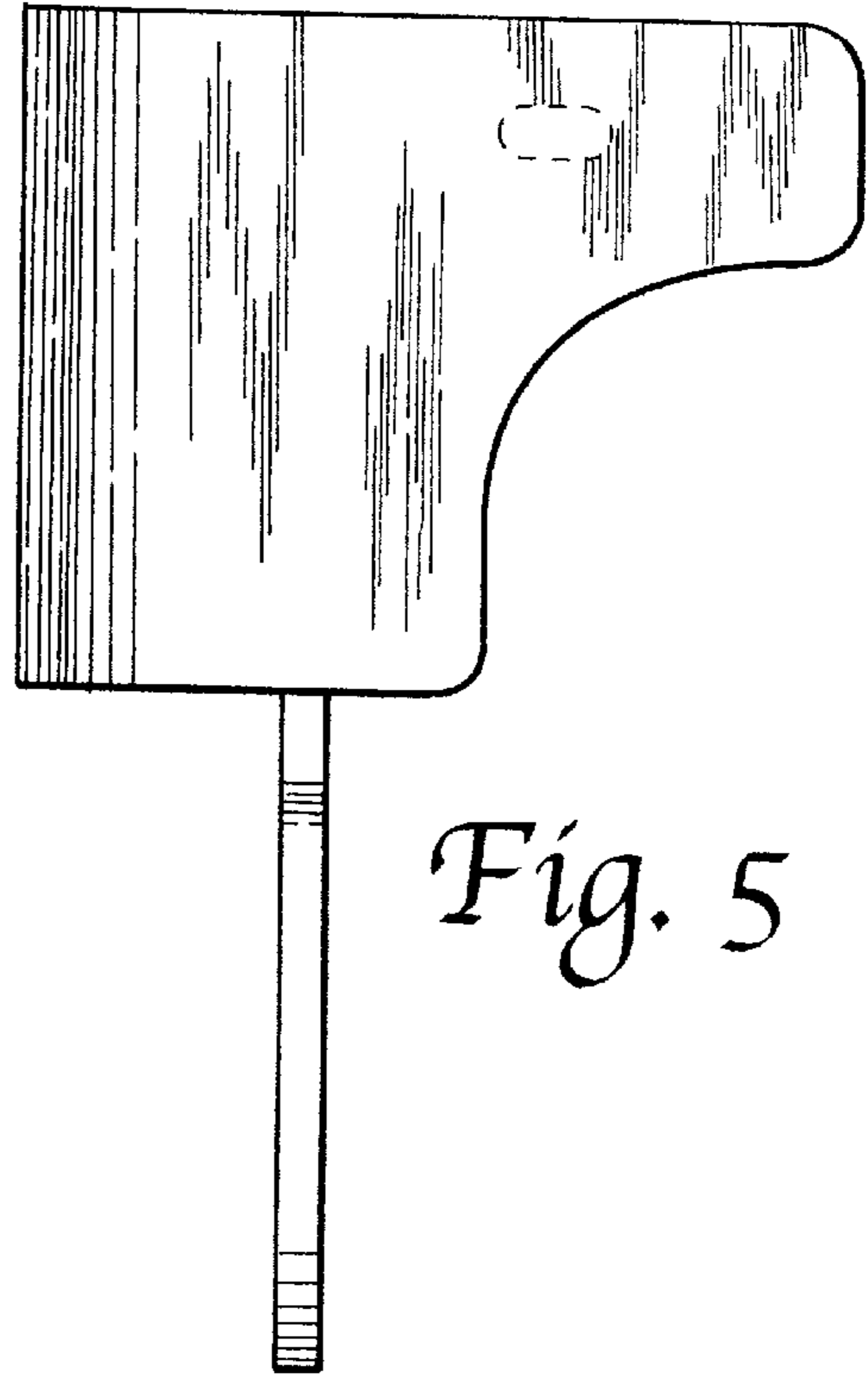
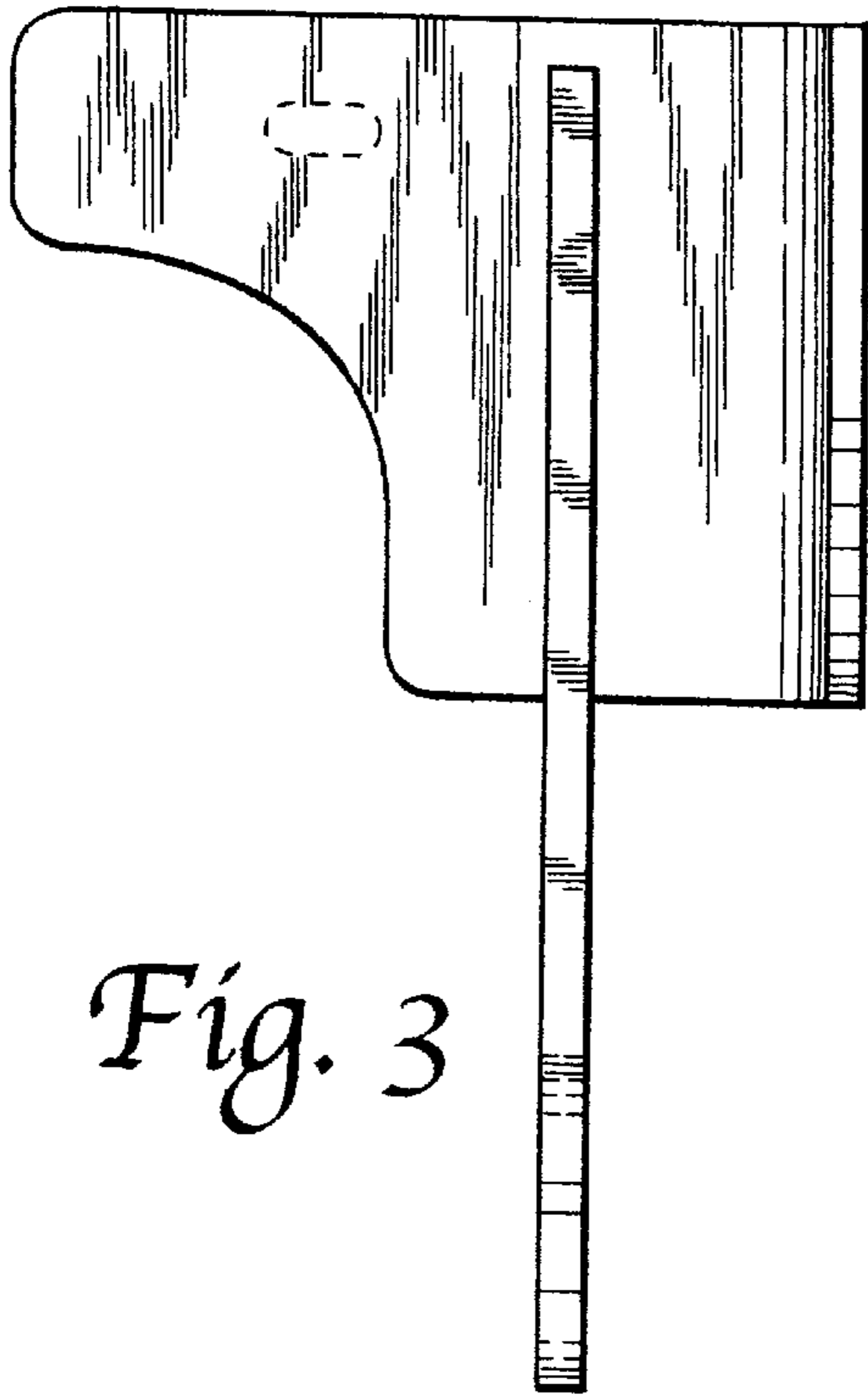


Fig. 2





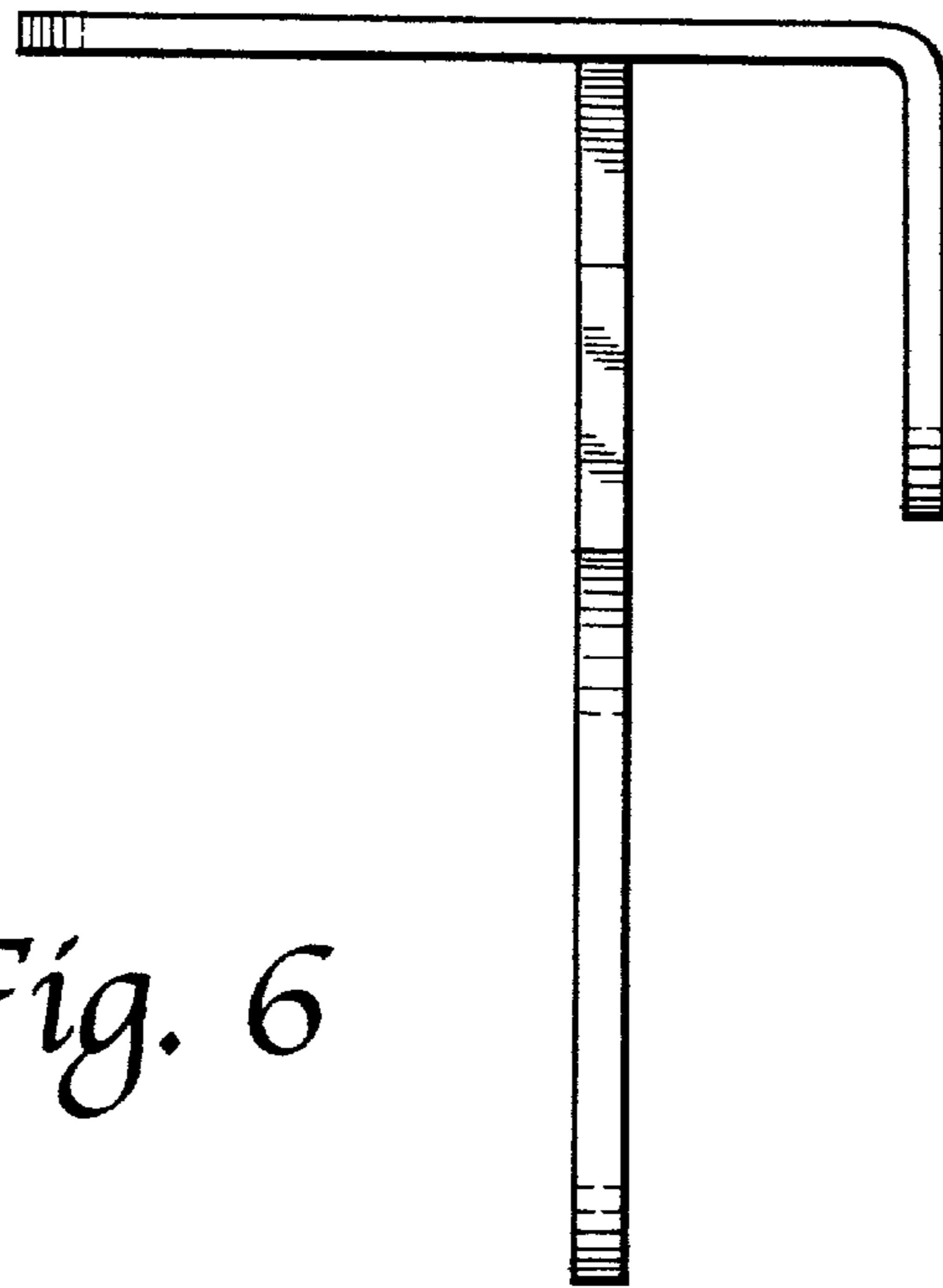


Fig. 6

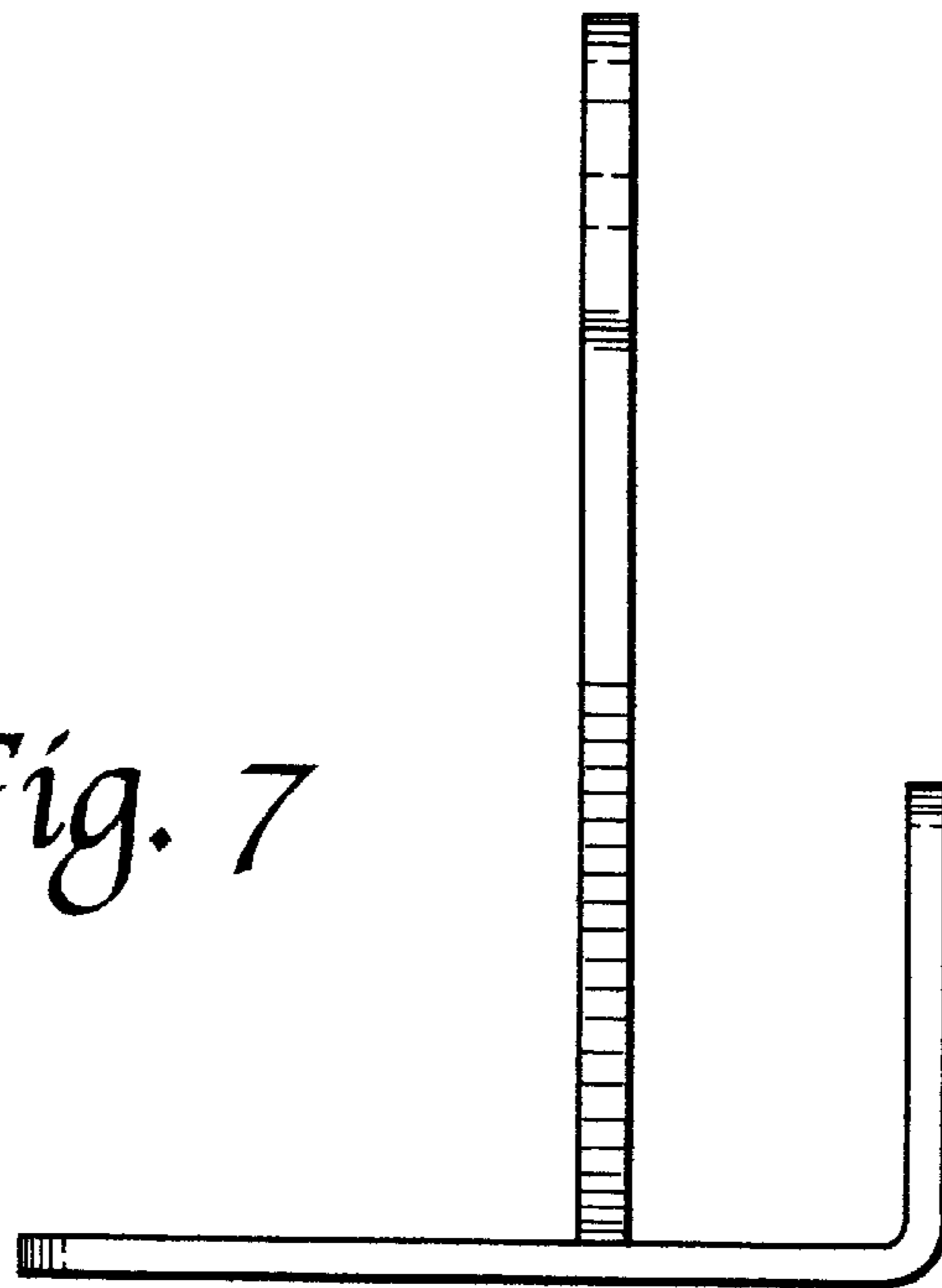


Fig. 7