



US00D482305S

(12) **United States Design Patent**
Okumura et al.

(10) **Patent No.:** **US D482,305 S**

(45) **Date of Patent:** **** Nov. 18, 2003**

(54) **INSTRUMENT PANEL**

(75) Inventors: **Akinori Okumura**, Anjo (JP); **Preston Wallace**, Orange, CA (US); **Mitsuhiro Yoshida**, Nagoya (JP); **Daniel Sims**, Lakeforest, CA (US)

(73) Assignee: **Mitsubishi Jidosha Kogyo Kabushiki Kaisha**, Tokyo (JP)

(**) Term: **14 Years**

(21) Appl. No.: **29/173,732**

(22) Filed: **Jan. 6, 2003**

(51) **LOC (7) Cl.** **12-16**

(52) **U.S. Cl.** **D12/192**

(58) **Field of Search** D12/192, 415,
D12/419; 180/90; 280/770, 750-752, DIG. 5;
296/70-72, 190-191, 37.1, 37.8; D10/49.51;
D23/327, 354, 387, 324, 386

(56) **References Cited**

U.S. PATENT DOCUMENTS

- D401,545 S * 11/1998 Sacco et al. D12/192
- D435,818 S * 1/2001 Shimizu et al. D12/192
- D448,720 S * 10/2001 Nash et al. D12/419

- D449,026 S * 10/2001 Tsay et al. D12/192
- D470,808 S * 2/2003 Koizumi et al. D12/192
- D473,173 S * 4/2003 Wyszograd D12/192
- D473,174 S * 4/2003 Pfeiffer et al. D12/192
- D474,137 S * 5/2003 Wyszograd D12/192

* cited by examiner

Primary Examiner—Stacia Cadmus

(74) *Attorney, Agent, or Firm*—Birch, Stewart, Kolasch & Birch, LLP

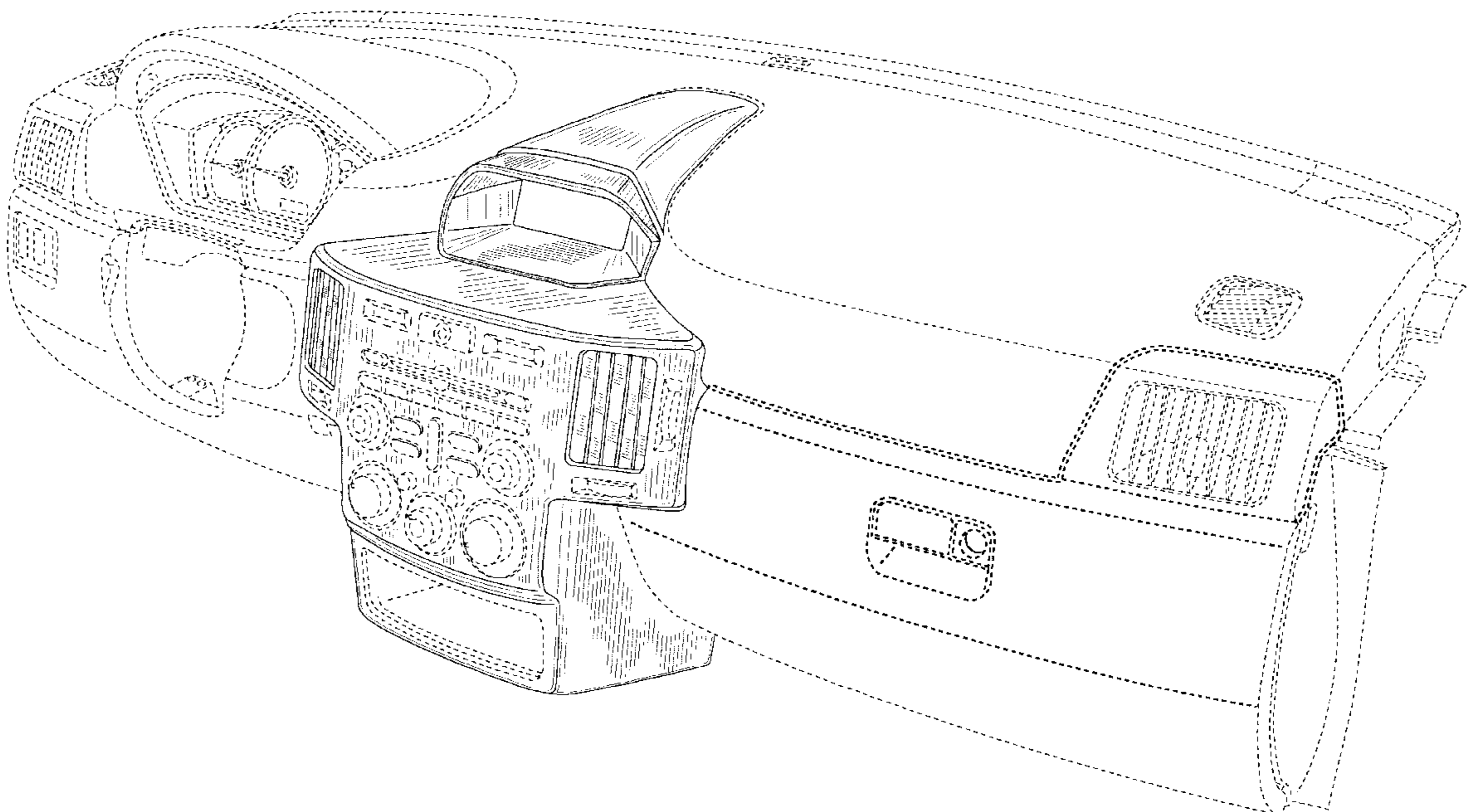
(57) **CLAIM**

The ornamental design for an instrument panel, as shown and described.

DESCRIPTION

FIG. 1 is a front view of an instrument panel constructed according to our novel design;
 FIG. 2 is a left side view thereof;
 FIG. 3 is a right side view thereof;
 FIG. 4 is a plan view thereof;
 FIG. 5 is a bottom view thereof; and,
 FIG. 6 is a right elevated perspective view thereof.
 The broken lines showing of environmental structure in FIGS. 1-6 of the drawings are for illustrative purposes only and form no part of the claimed design.

1 Claim, 5 Drawing Sheets



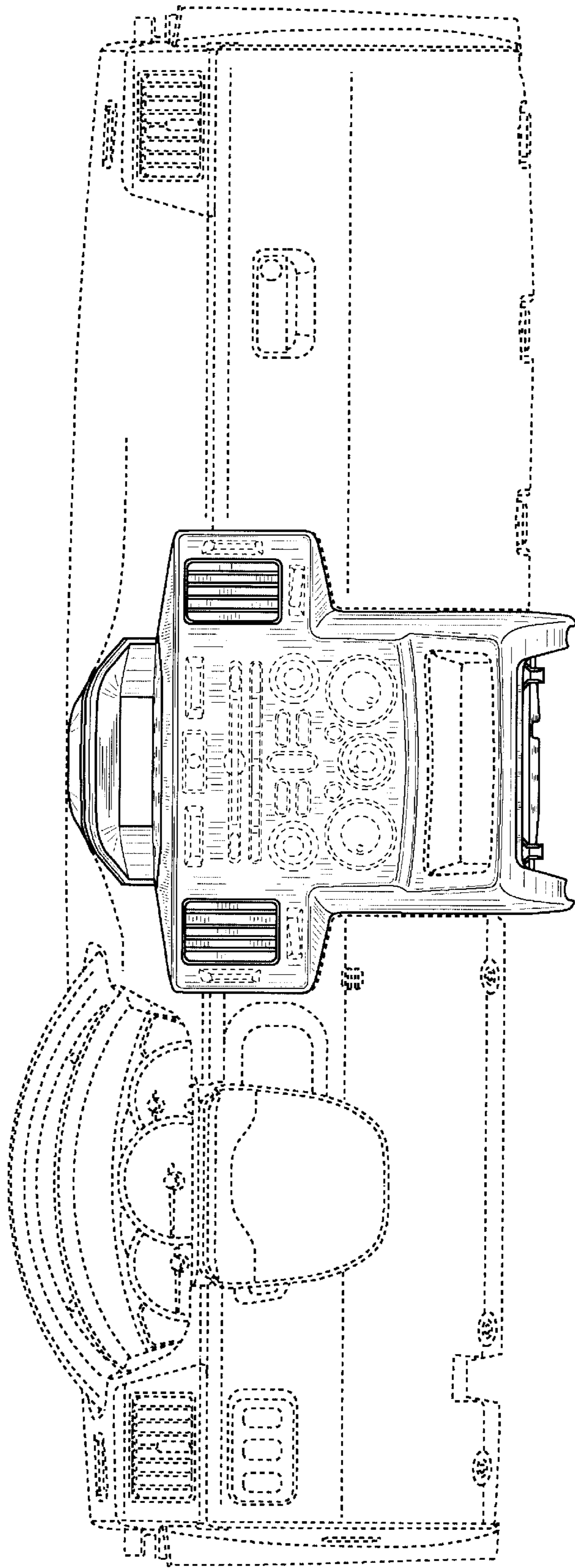


FIG. 1

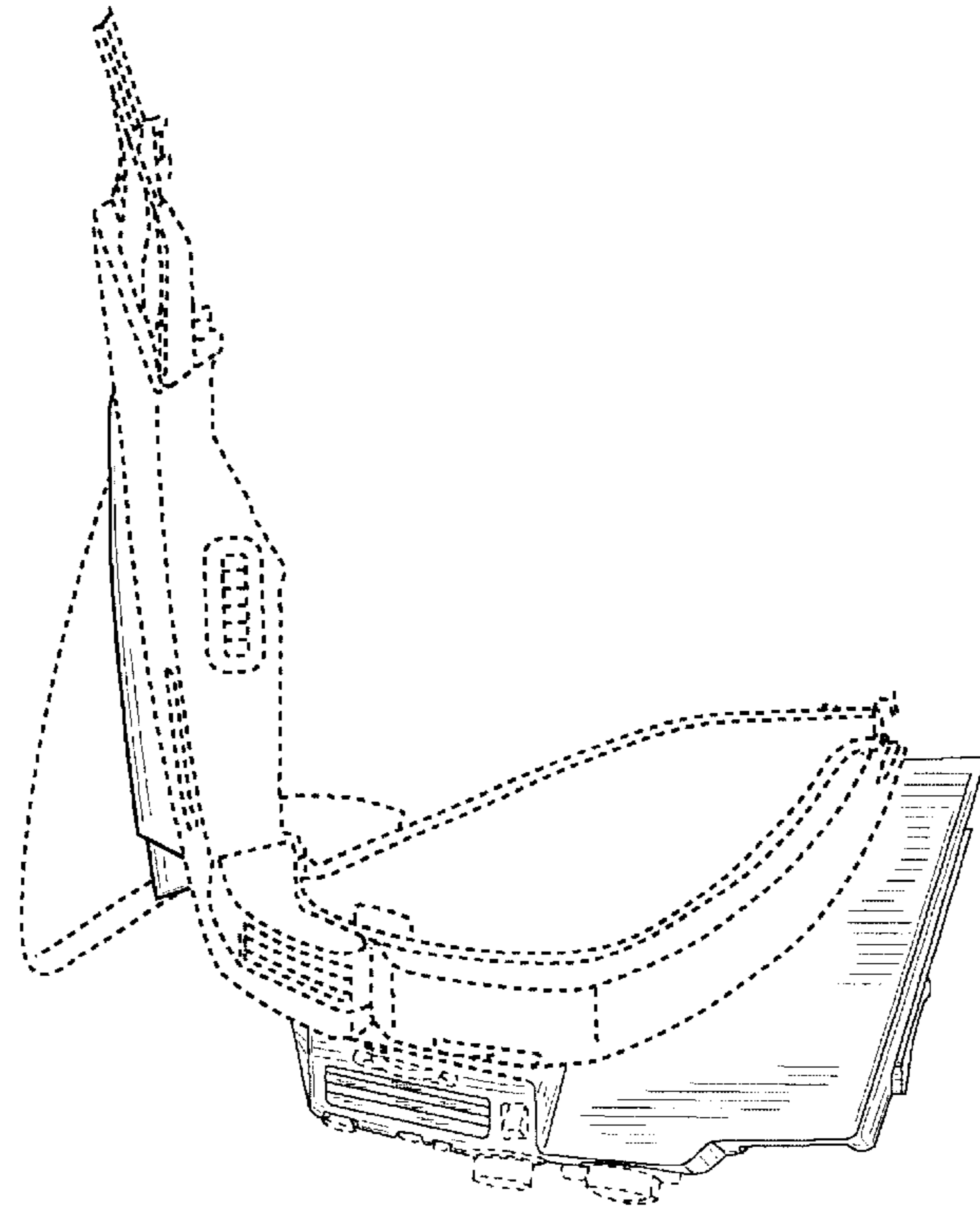


FIG. 3

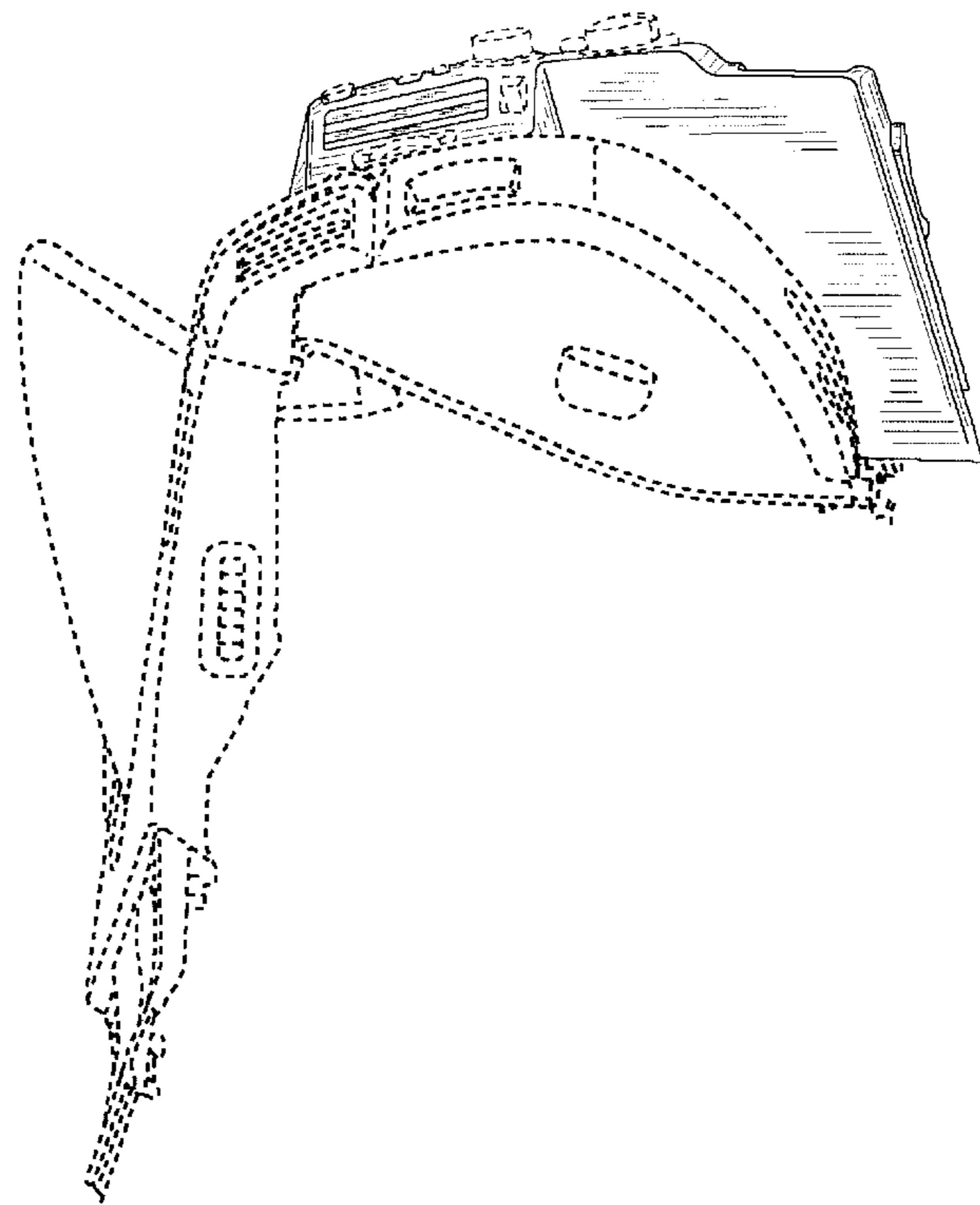


FIG. 2

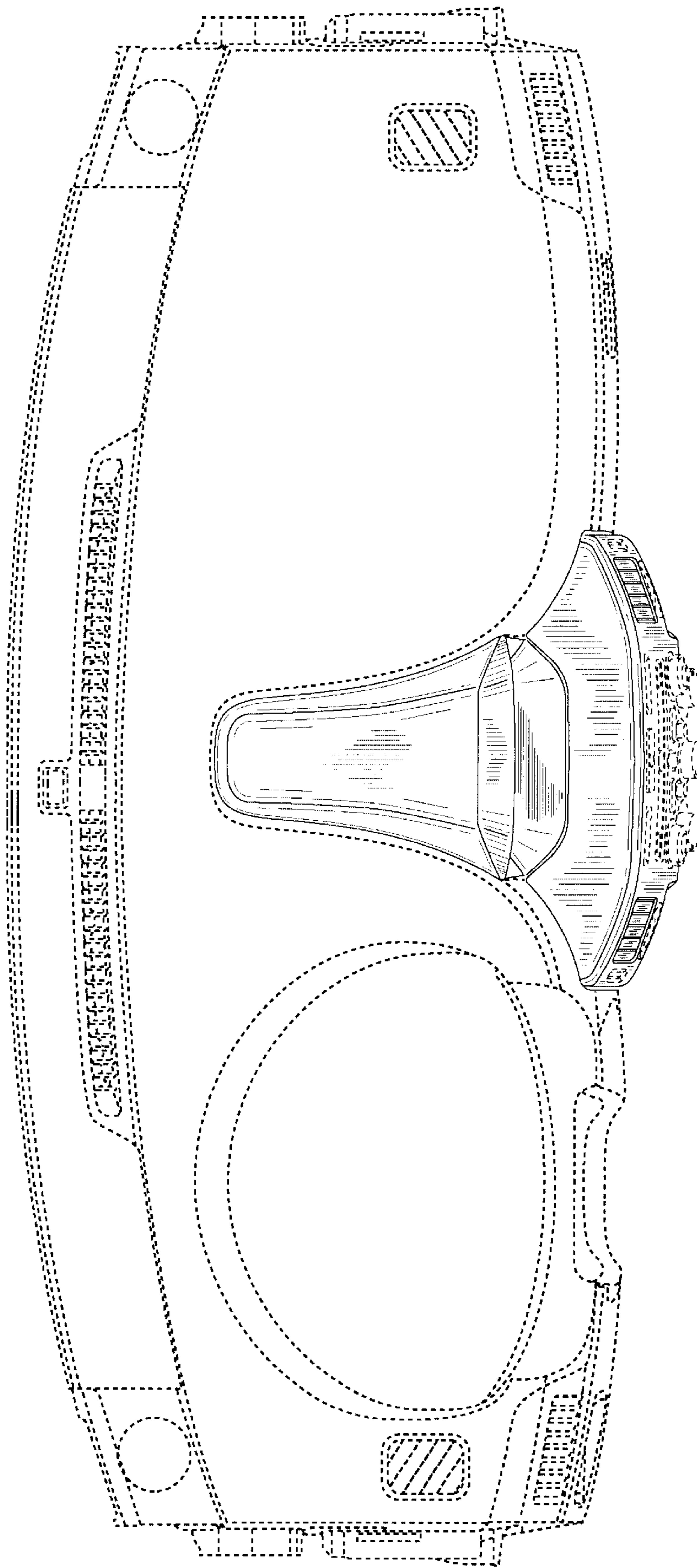


FIG. 4

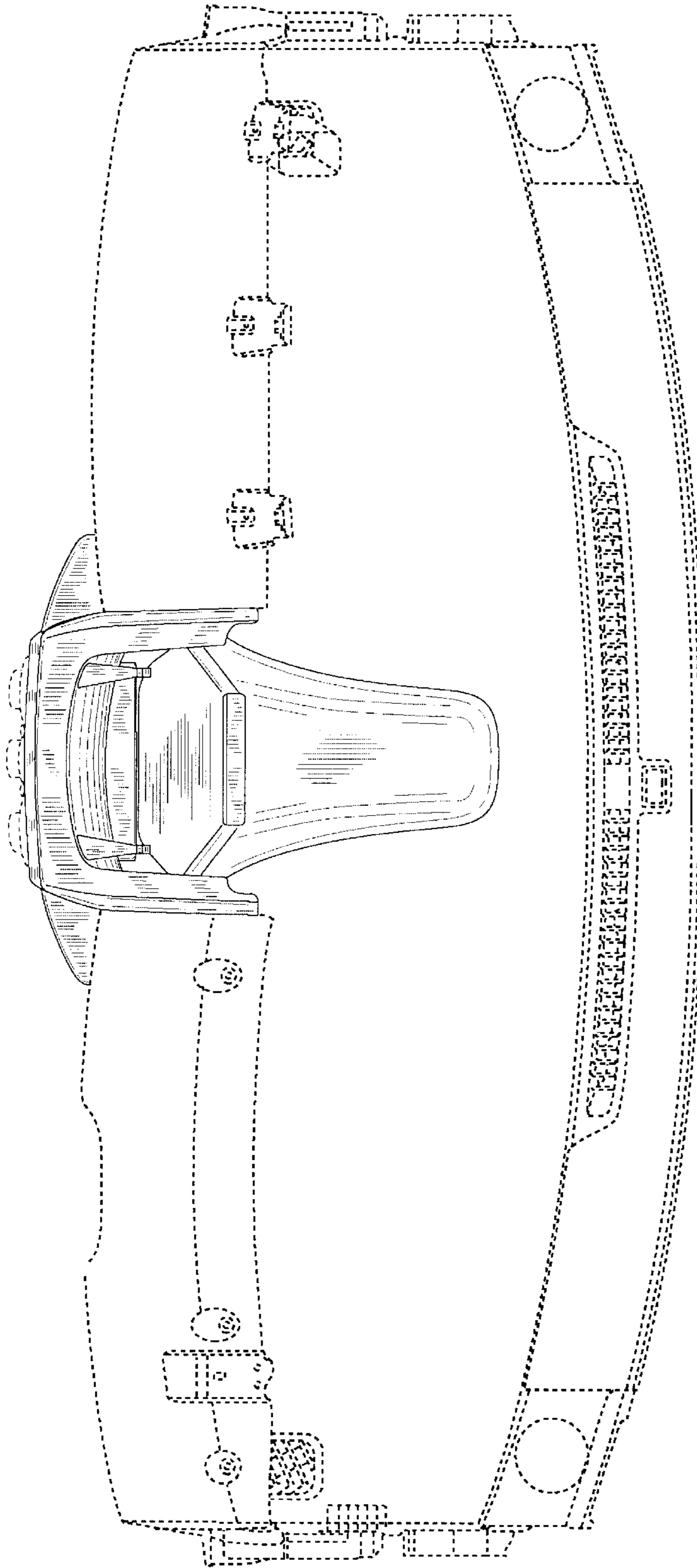


FIG. 5

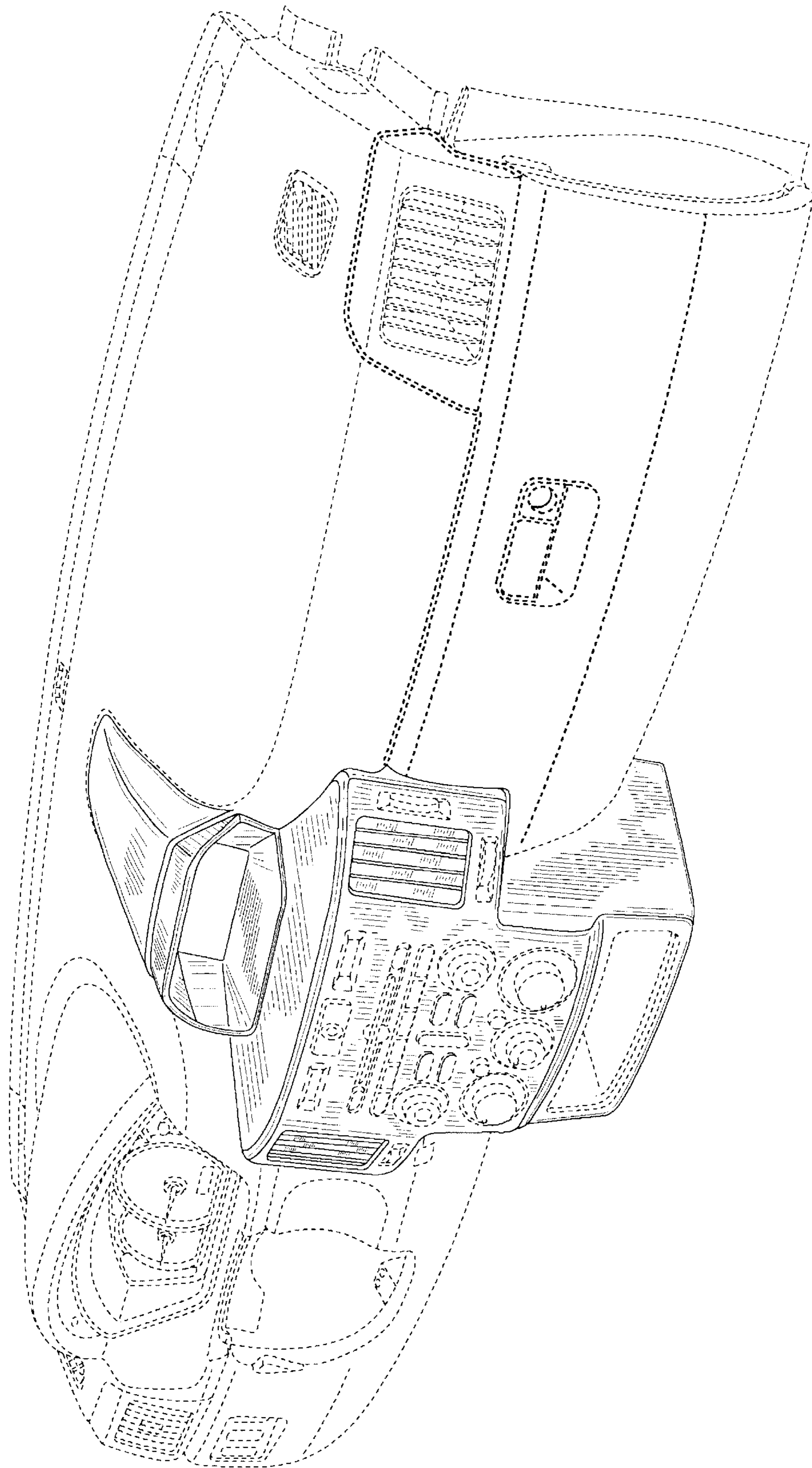


FIG. 6