



US00D482303S

(12) **United States Design Patent**
Shea

(10) **Patent No.:** **US D482,303 S**

(45) **Date of Patent:** **** Nov. 18, 2003**

(54) **CAB CAP DEFLECTOR**

(75) **Inventor:** **Brian J. Shea**, Mishawaka, IN (US)

(73) **Assignee:** **Gulf Stream Coach, Inc.**, Nappanee, IN (US)

(**) **Term:** **14 Years**

(21) **Appl. No.:** **29/171,487**

(22) **Filed:** **Nov. 22, 2002**

(51) **LOC (7) Cl.** **12-16**

(52) **U.S. Cl.** **D12/181**

(58) **Field of Search** D12/96-100, 93,
D12/106, 196, 181; 296/91, 180.1, 180.2,
181

D315,707 S	3/1991	Reiser	
D319,608 S	9/1991	Dodgen	
D332,440 S	1/1993	Pugh	
D343,159 S	1/1994	Hunter	
D355,398 S	* 2/1995	Shea, Sr.	D12/106
D384,317 S	9/1997	Jahnke	
D411,141 S	* 6/1999	Gerish et al.	D12/96
D415,085 S	10/1999	Fitzgerald et al.	
D419,921 S	2/2000	Mishler	
D424,489 S	5/2000	Damon et al.	
D425,450 S	5/2000	Barraclough et al.	
D434,347 S	11/2000	Damon et al.	
D436,894 S	1/2001	Barraclough et al.	
D445,068 S	* 7/2001	Martin et al.	D12/96
D460,023 S	7/2002	Beigel	

* cited by examiner

Primary Examiner—Melody N. Brown

(74) *Attorney, Agent, or Firm*—Barnes & Thornburg

(56) **References Cited**

U.S. PATENT DOCUMENTS

D243,001 S	1/1977	Anziano
D248,846 S	8/1978	Stage et al.
D249,783 S	10/1978	Herpel
D252,508 S	7/1979	Wiley, Jr.
D252,619 S	8/1979	Wiley, Jr.
D252,620 S	8/1979	Wiley, Jr.
D252,621 S	8/1979	Wiley, Jr.
D252,622 S	8/1979	Wiley, Jr.
D252,623 S	8/1979	Wiley, Jr.
D254,063 S	1/1980	Anziano
D259,874 S	7/1981	Ferrero
D268,021 S	2/1983	Wiley, Jr. et al.
D271,864 S	12/1983	Kangas
D272,058 S	1/1984	Kangas
D296,775 S	7/1988	Hatch et al.

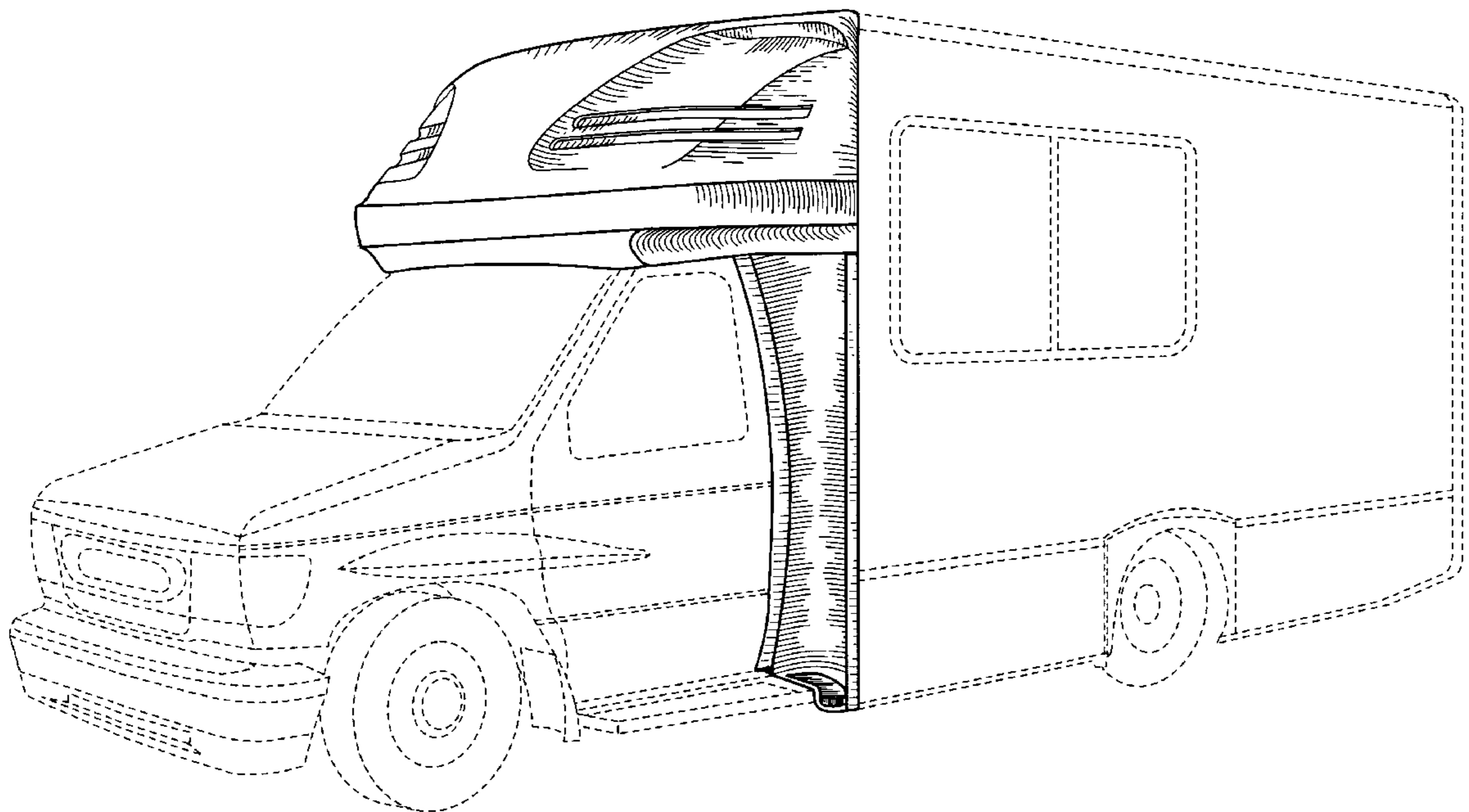
(57) **CLAIM**

The ornamental design for a cab cap deflector, as shown and described.

DESCRIPTION

FIG. 1 is a front and side perspective view of a cab cap deflector showing my new design, with broken lines illustrating a recreational vehicle and forming no part of the claimed design;
FIG. 2 is a left-side elevation view thereof, with the right-side elevation view being a mirror image thereof;
FIG. 3 is a top plan view thereof; and,
FIG. 4 is a front elevation view thereof.

1 Claim, 4 Drawing Sheets



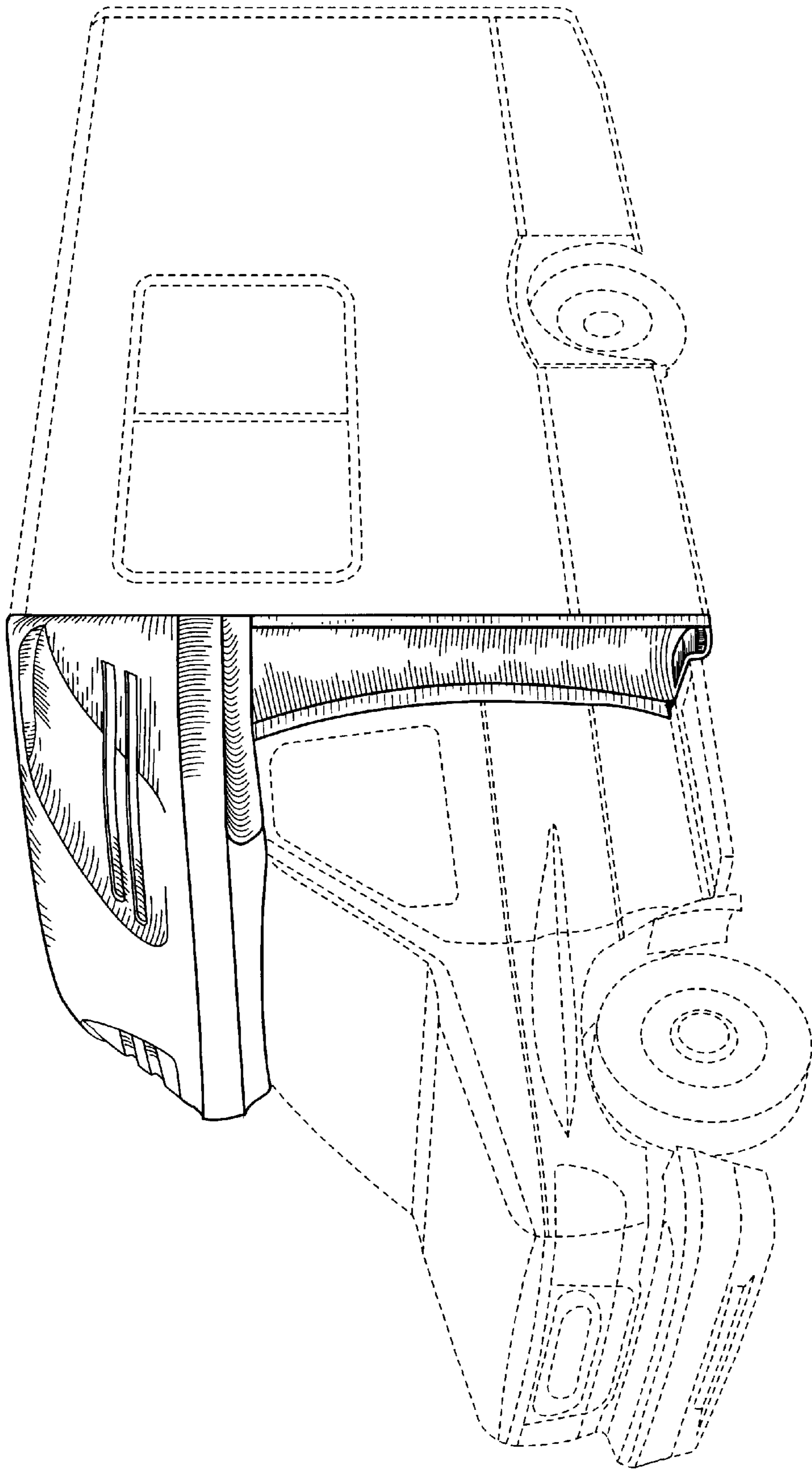


FIG. 1

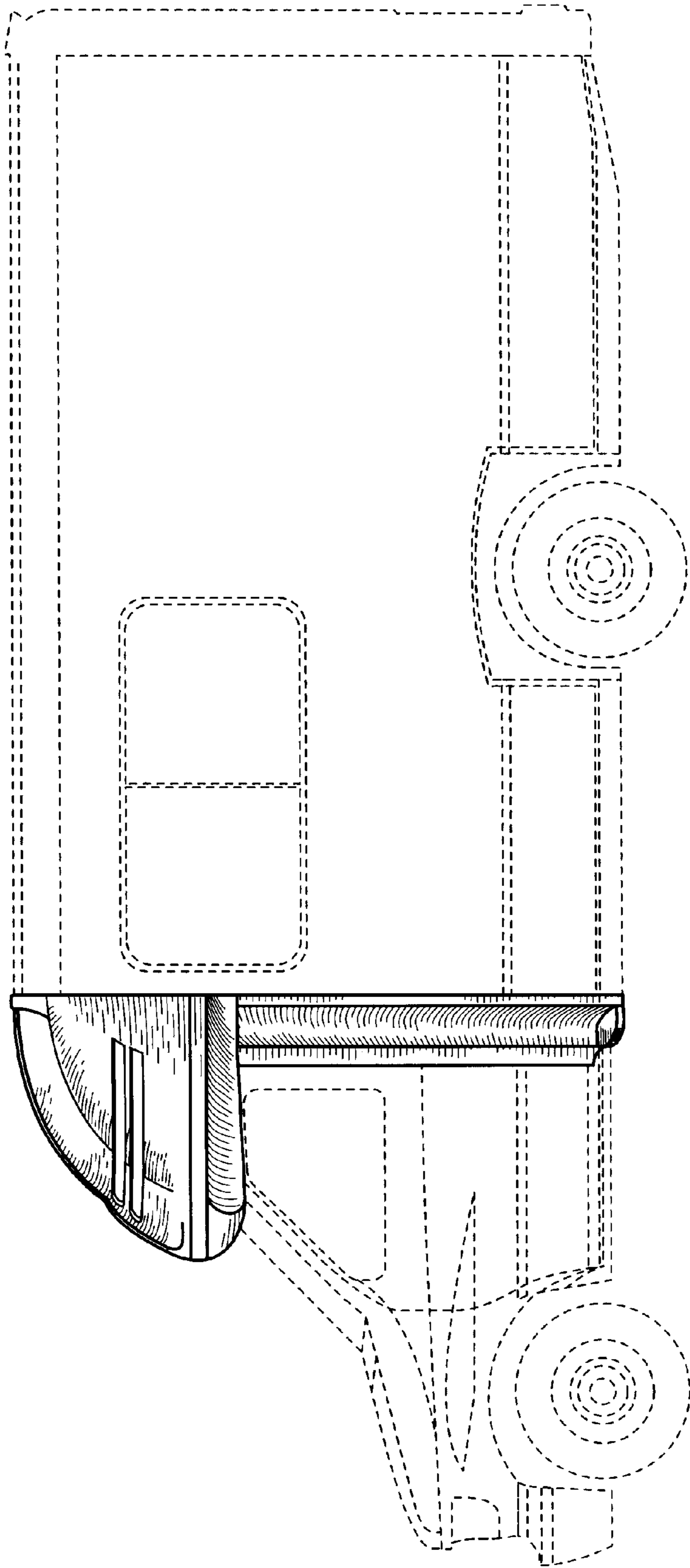


FIG. 2

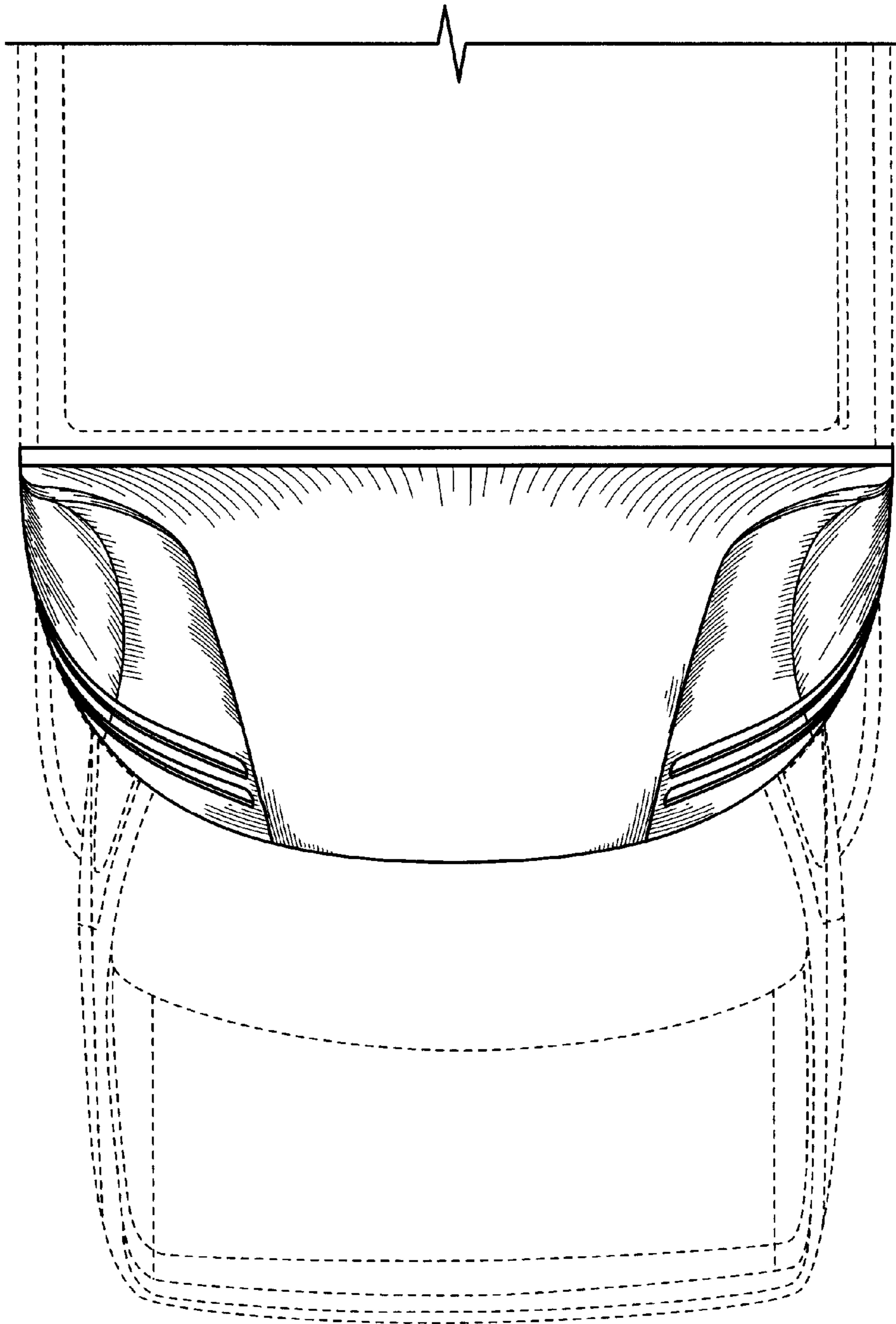


FIG. 3

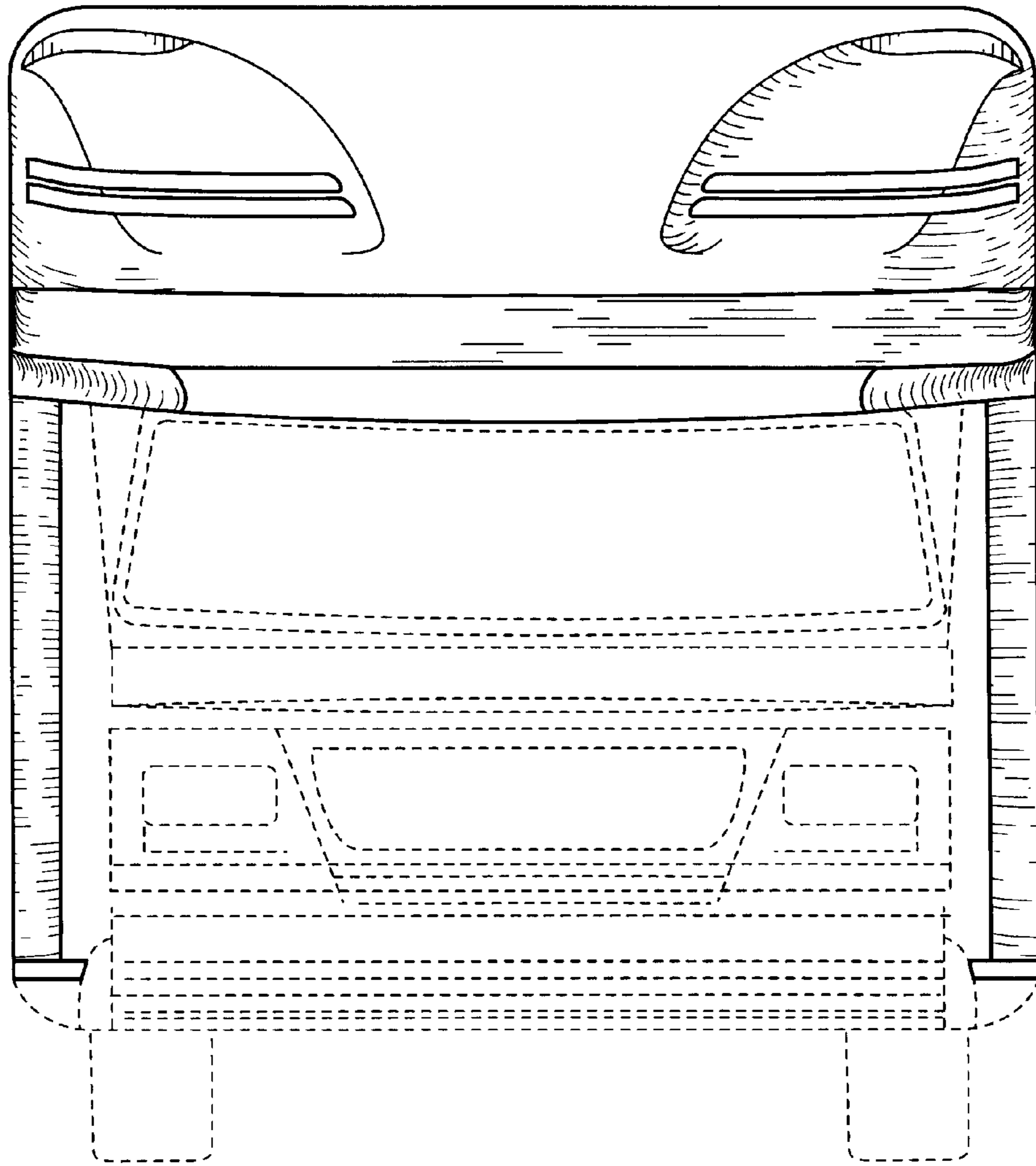


FIG. 4