



US00D482281S

(12) **United States Design Patent**  
**Bakic**

(10) **Patent No.:** **US D482,281 S**

(45) **Date of Patent:** **\*\* Nov. 18, 2003**

(54) **BOTTLE STOPPER**

(75) Inventor: **Dieter Bakic**, Munich (DE)

(73) Assignee: **DB Design GmbH** (DE)

(\*\*) Term: **14 Years**

(21) Appl. No.: **29/172,332**

(22) Filed: **Dec. 9, 2002**

(30) **Foreign Application Priority Data**

Jun. 10, 2002 (WO) ..... DM/060 696

(51) **LOC (7) Cl.** ..... **09-07**

(52) **U.S. Cl.** ..... **D9/448**

(58) **Field of Search** ..... D9/300, 435, 447,  
D9/448, 440; 222/321.1, 321.6, 321.8, 321.9,  
631

(56) **References Cited**

**U.S. PATENT DOCUMENTS**

D206,832 S \* 1/1967 Kotuby ..... D9/448  
D234,340 S \* 2/1975 Schick ..... D9/448  
5,772,079 A \* 6/1998 Gueret ..... 222/321.7

D398,232 S \* 9/1998 Bakic ..... D9/440

D414,696 S \* 10/1999 Sayers ..... D9/448

D436,039 S \* 1/2001 Moretti ..... D9/448

\* cited by examiner

*Primary Examiner*—Louis S. Zarfes

*Assistant Examiner*—Gregory Andoll

(74) *Attorney, Agent, or Firm*—Cantor Colburn LLP

(57) **CLAIM**

The ornamental design for a bottle stopper, as shown and described.

**DESCRIPTION**

FIG. 1 is a front perspective view of a bottle stopper, showing my new design;

FIG. 2 is a bottom perspective view thereof;

FIG. 3 is a front view thereof;

FIG. 4 is a top view thereof;

FIG. 5 is a side view thereof; and,

FIG. 6 is a bottom view thereof.

The broken lines shown in the figures are for illustrative purposes only and form no part of the claimed design.

**1 Claim, 2 Drawing Sheets**

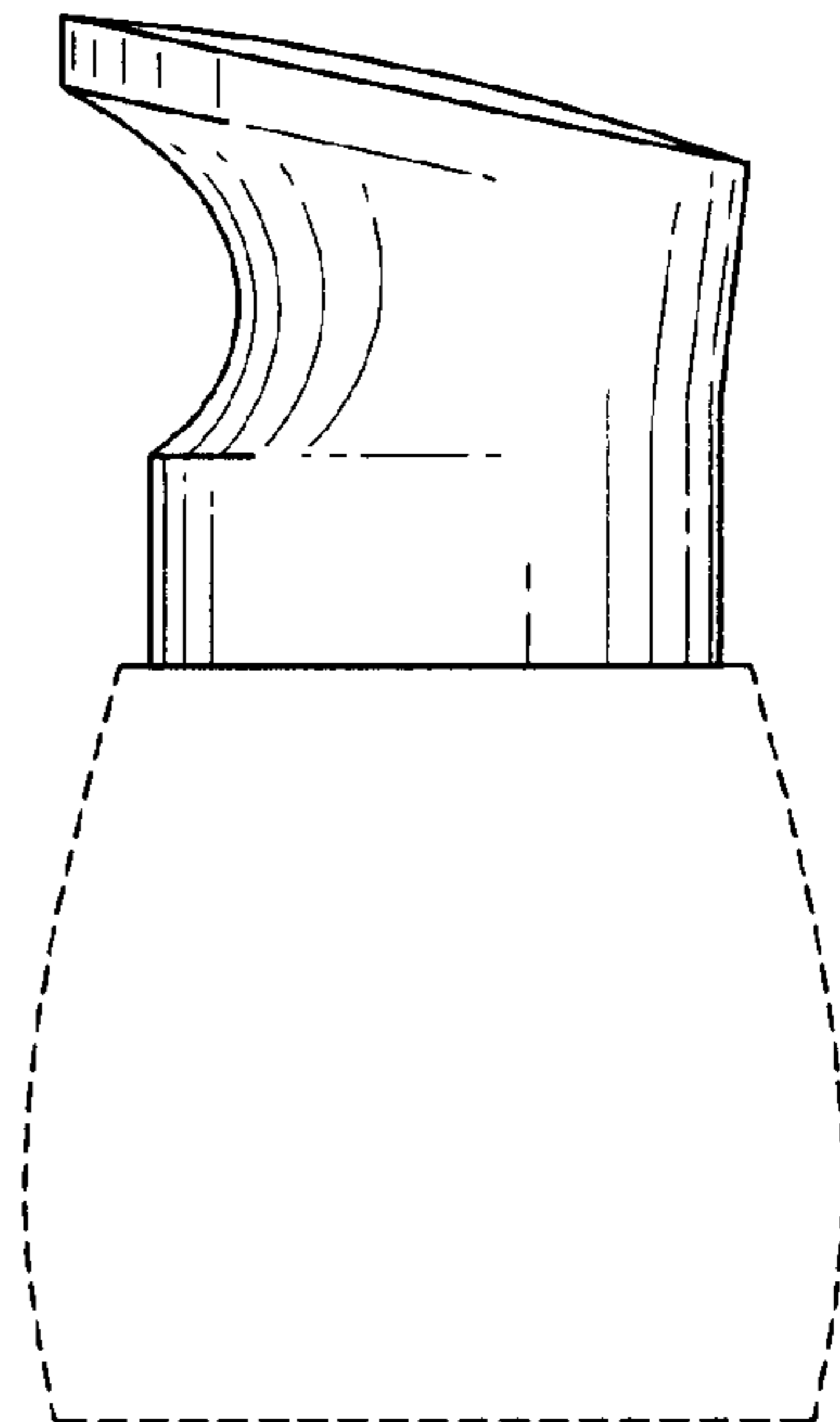
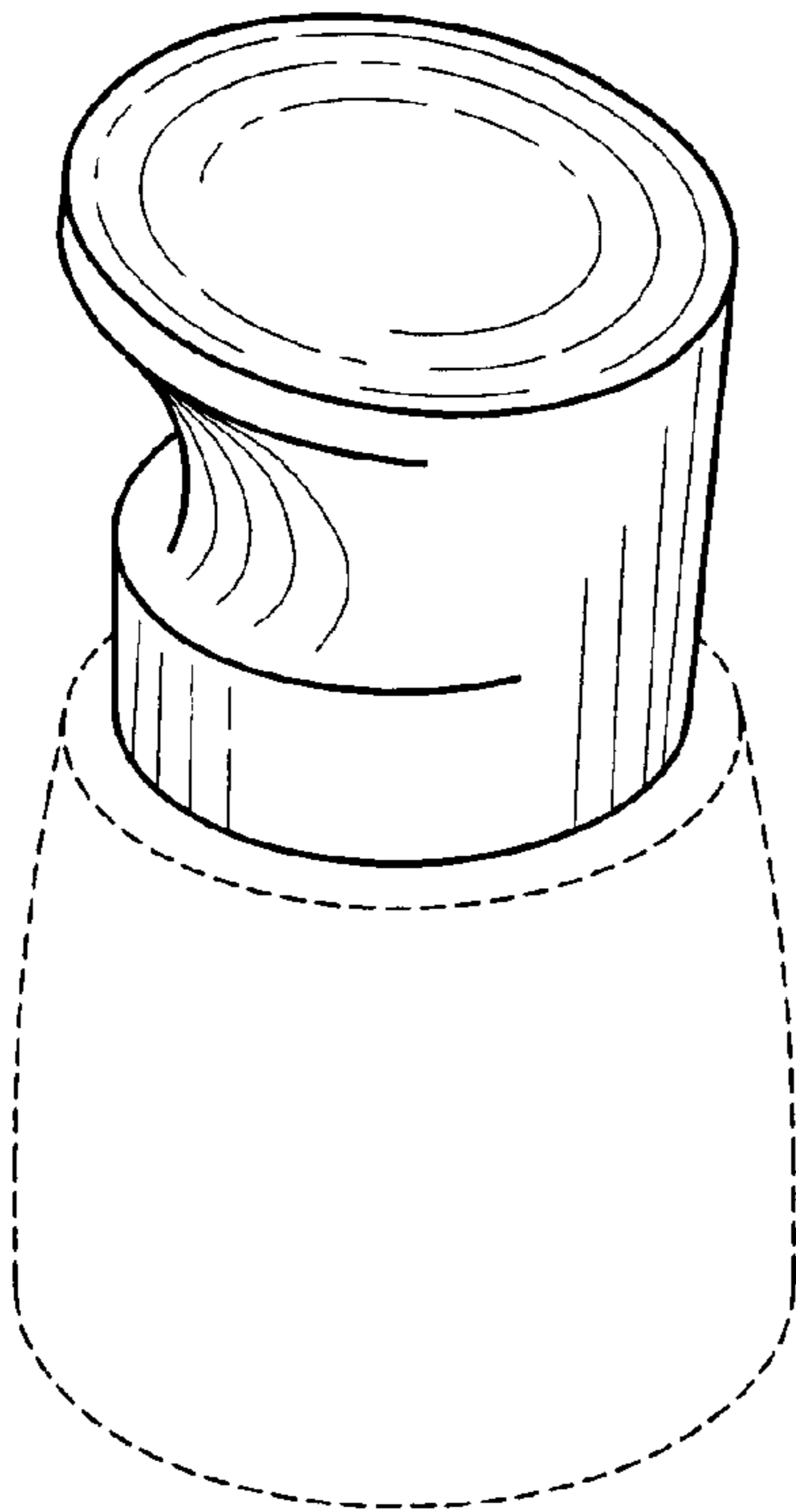


FIG. 1

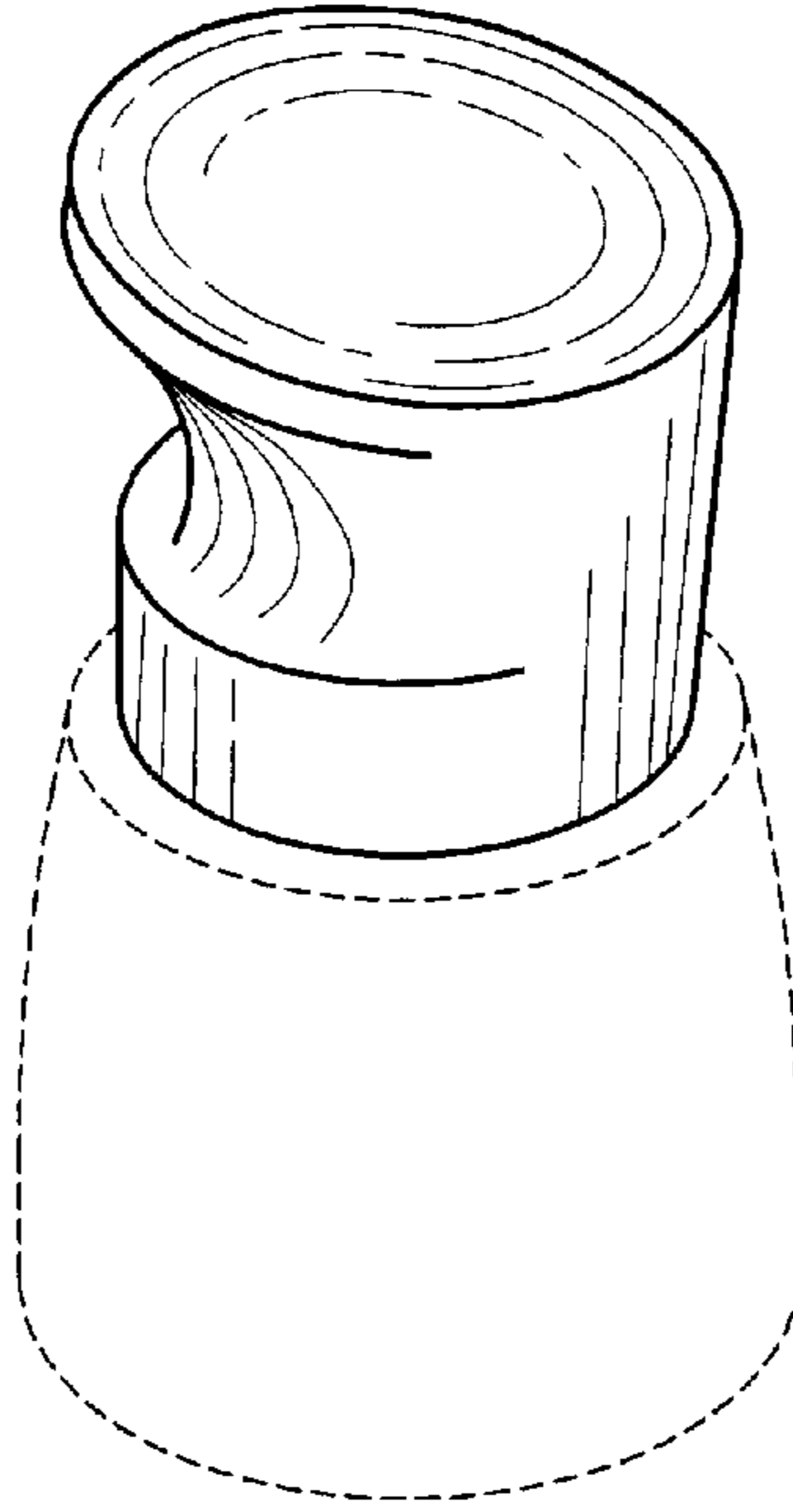


FIG. 2

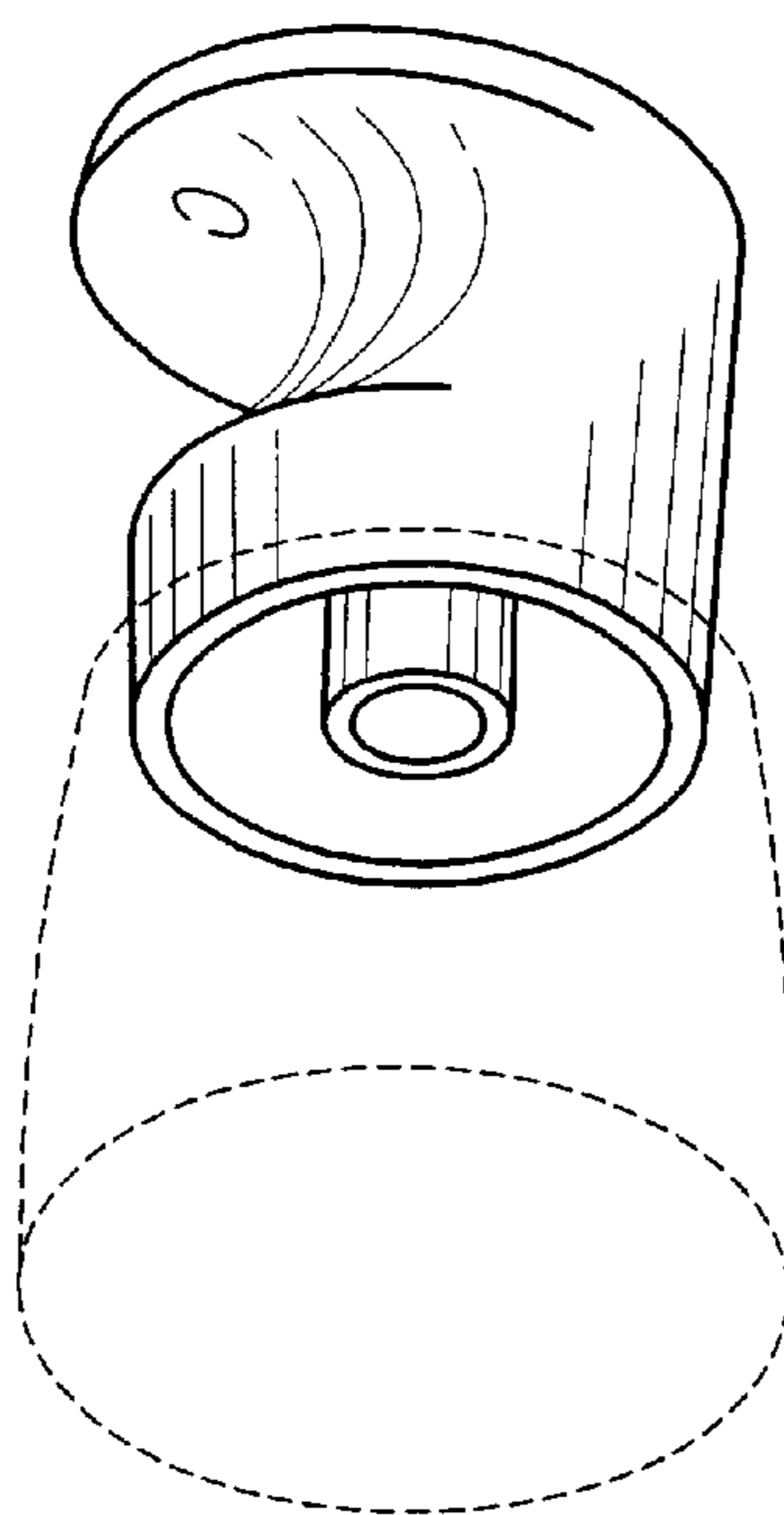


FIG. 4

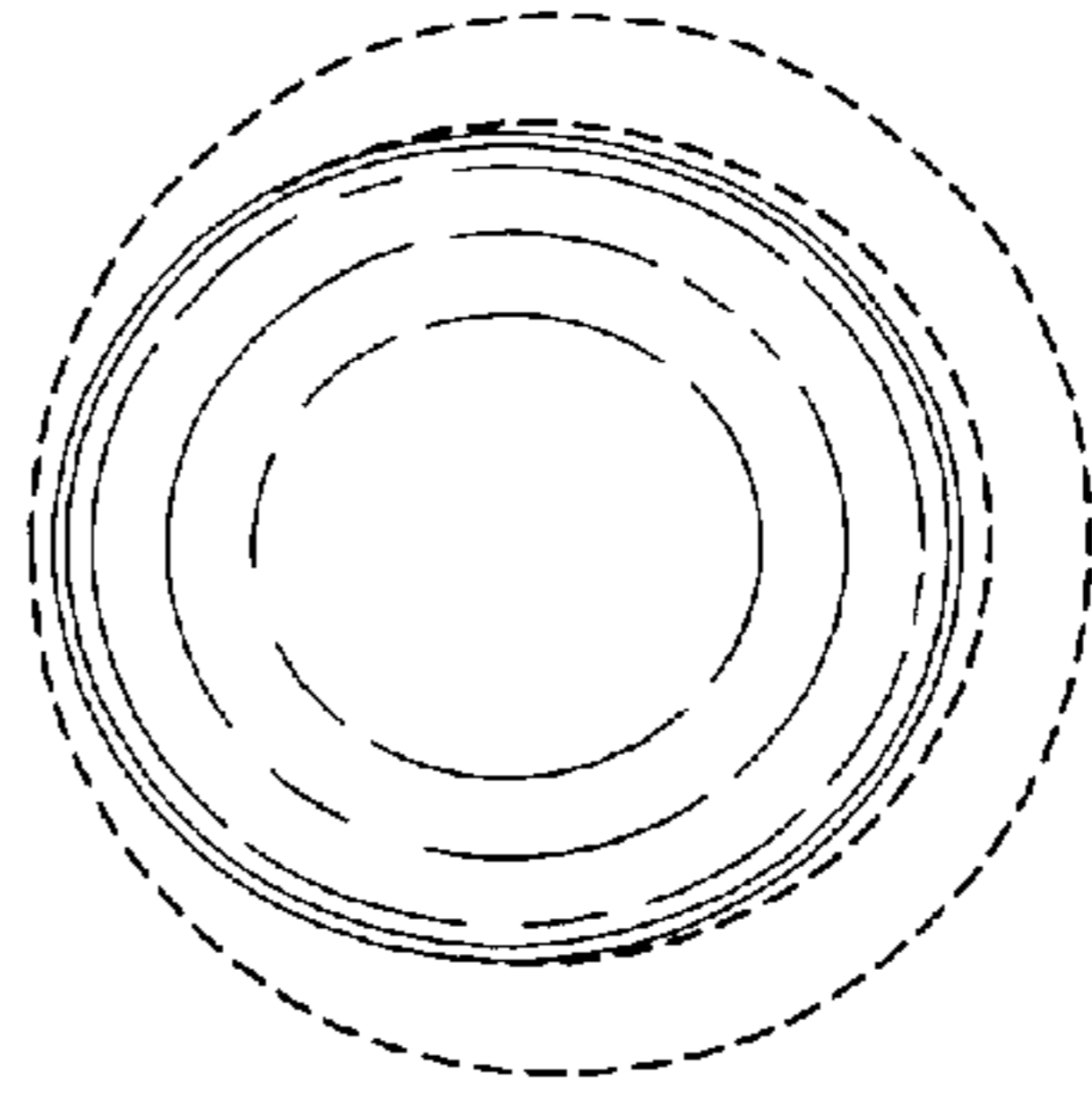


FIG. 3

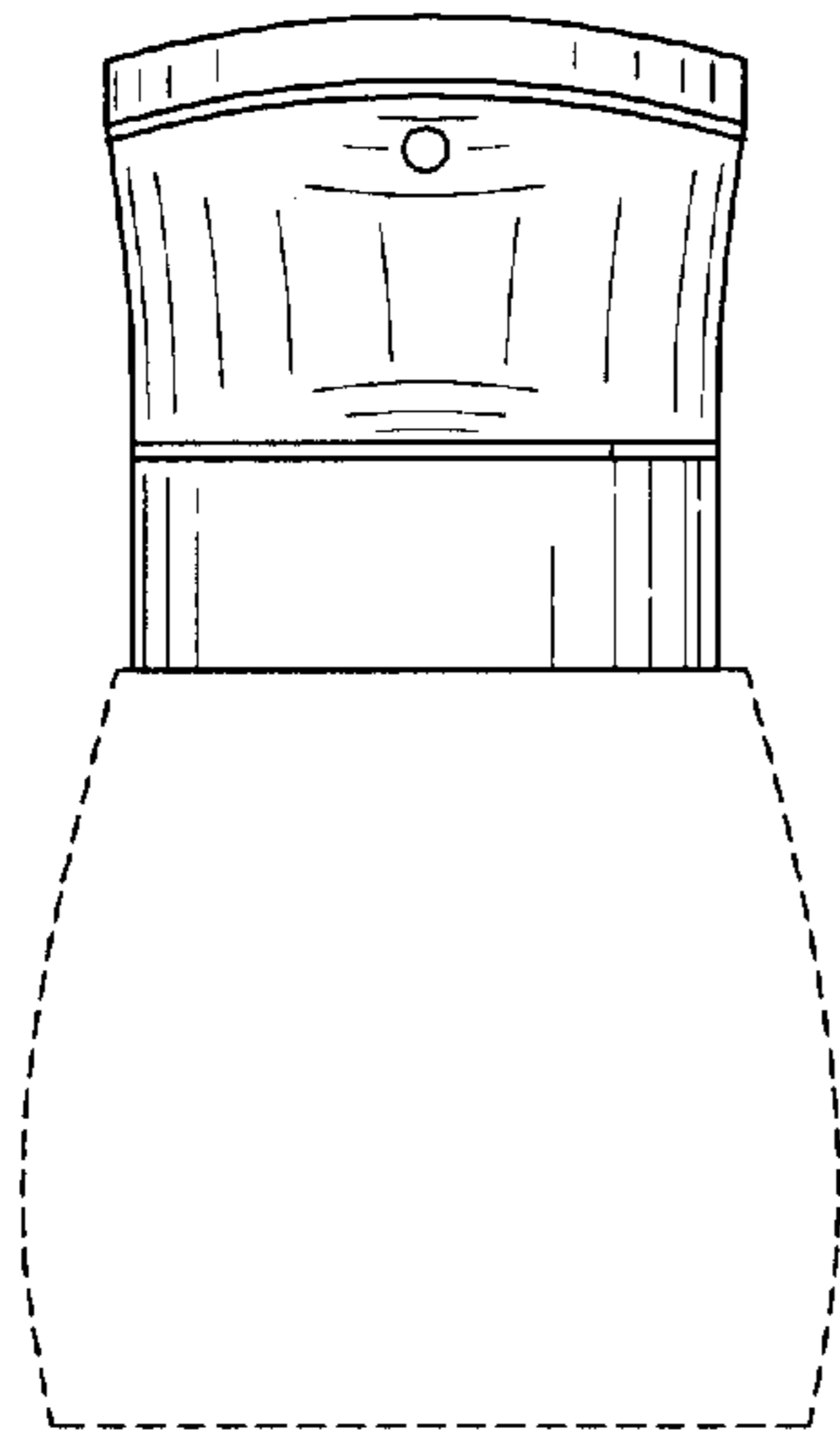


FIG. 5

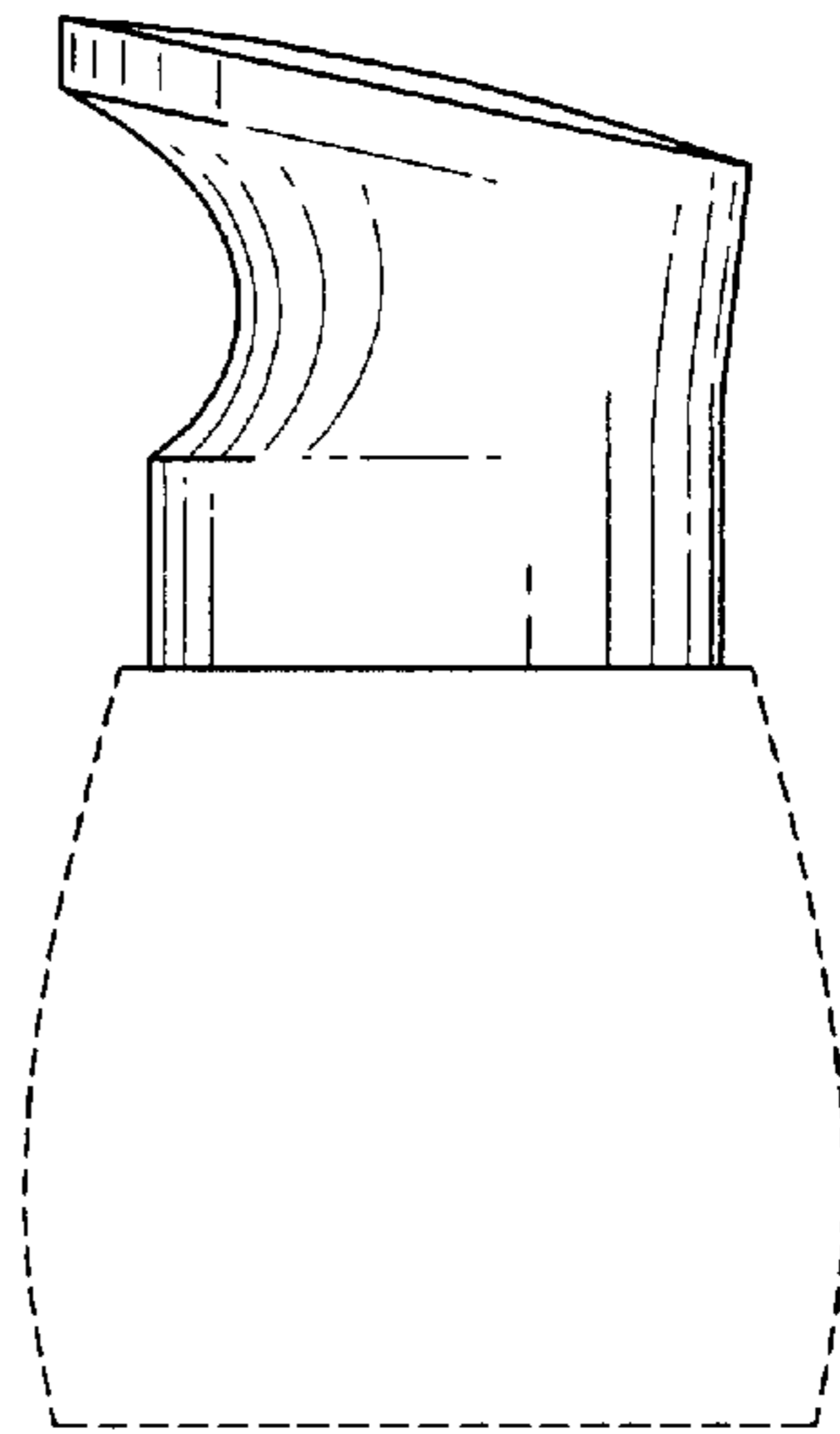


FIG. 6

