



US00D482278S

(12) **United States Design Patent**
Westphal

(10) **Patent No.:** **US D482,278 S**

(45) **Date of Patent:** **** Nov. 18, 2003**

(54) **CONTAINER**

(76) Inventor: **Scott K. Westphal**, 850 West Ave.,
Miami Beach, FL (US) 33139

(**) Term: **14 Years**

(21) Appl. No.: **29/175,178**

(22) Filed: **Jan. 31, 2003**

4,573,597 A	3/1986	Adams et al.	220/605
D314,704 S	* 2/1991	Lillelund et al.	D9/428
5,100,002 A	3/1992	Garran	206/457
5,150,804 A	* 9/1992	Blanchet et al.	206/512
5,388,695 A	* 2/1995	Gilbert	206/457
5,507,220 A	4/1996	Jung	99/403
5,704,483 A	1/1998	Groh	206/511
D403,957 S	1/1999	Bright et al.	D9/428
D424,768 S	5/2000	Tsou	D9/428
D426,383 S	6/2000	Thrower	D9/428

Related U.S. Application Data

(62) Division of application No. 29/148,738, filed on Sep. 27, 2001.

(51) **LOC (7) Cl.** **09-03**

(52) **U.S. Cl.** **D9/428; D9/424**

(58) **Field of Search** D9/428, 429, 424,
D9/430; 220/1.5, 17.1, 17.2, 17.3, 62.13,
62.14, 62.15, 62.16, 62.19, 605, 606; 206/511,
512, 822, 541, 226, 303, 457; 229/116.1,
406, 407

References Cited

U.S. PATENT DOCUMENTS

163,787 A	5/1875	King	220/605
D201,398 S	* 6/1965	Burns	D9/425
3,759,416 A	* 9/1973	Constantine	206/508
3,902,270 A	9/1975	Molenaar	206/511
4,042,111 A	8/1977	Smith	206/511
4,398,653 A	* 8/1983	Daloisio	206/512

* cited by examiner

Primary Examiner—Prabhakar Deshmukh

(74) *Attorney, Agent, or Firm*—Pillsbury Winthrop LLP

(57) **CLAIM**

The ornamental design of a container, as shown and described.

DESCRIPTION

FIG. 1 is a top perspective view of a container according to an embodiment of the present invention in which various surfaces of the container include a “hammered metal” or “stippled” effect;

FIG. 2 is a front elevation view of the container shown in FIG. 1;

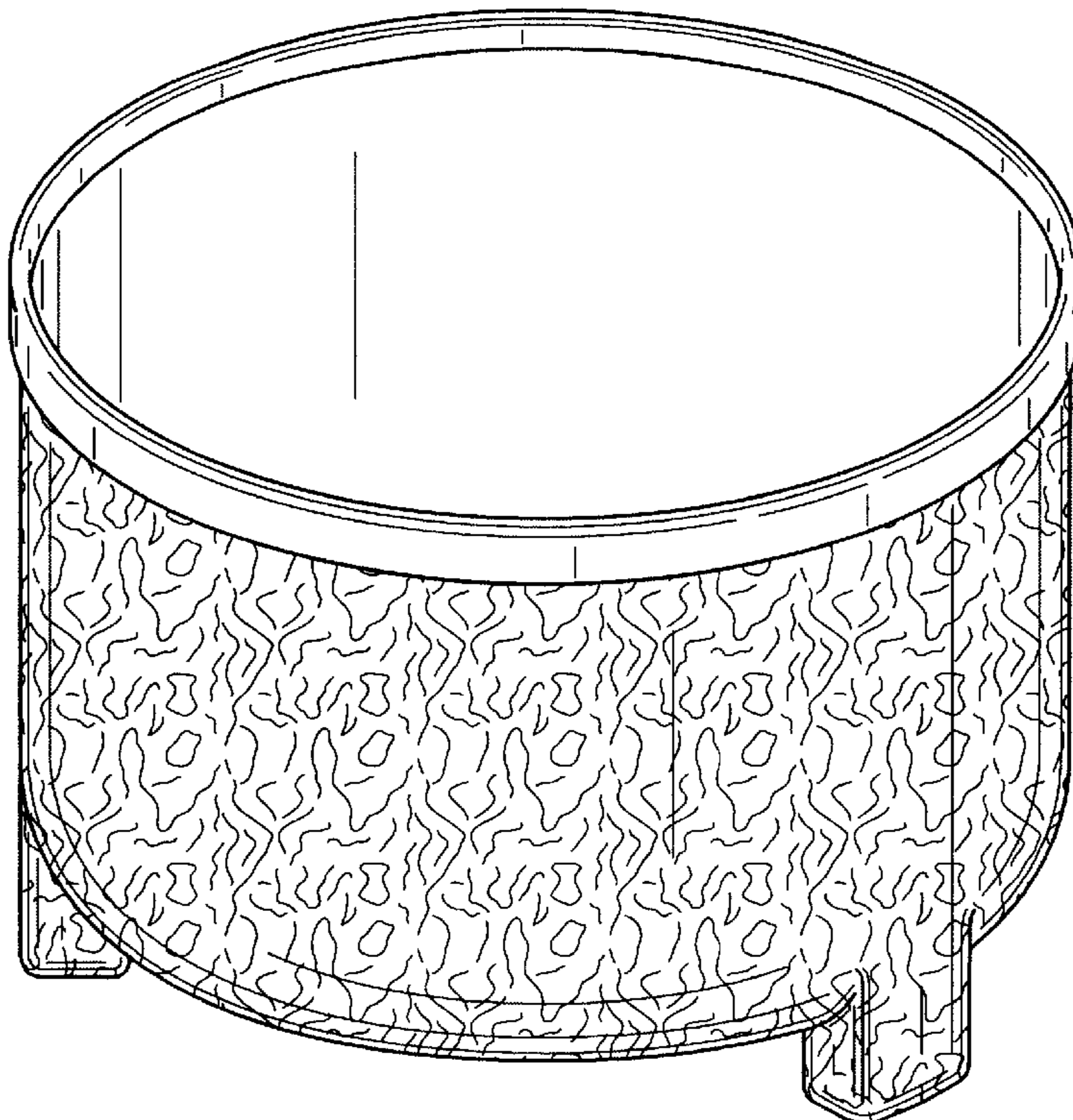
FIG. 3 is a left side view of the container shown in FIG. 2;

FIG. 4 is a right side view of the container shown in FIG. 2;

FIG. 5 is a top view of the container shown in FIG. 2; and,

FIG. 6 is a bottom view of the container shown in FIG. 2.

1 Claim, 3 Drawing Sheets



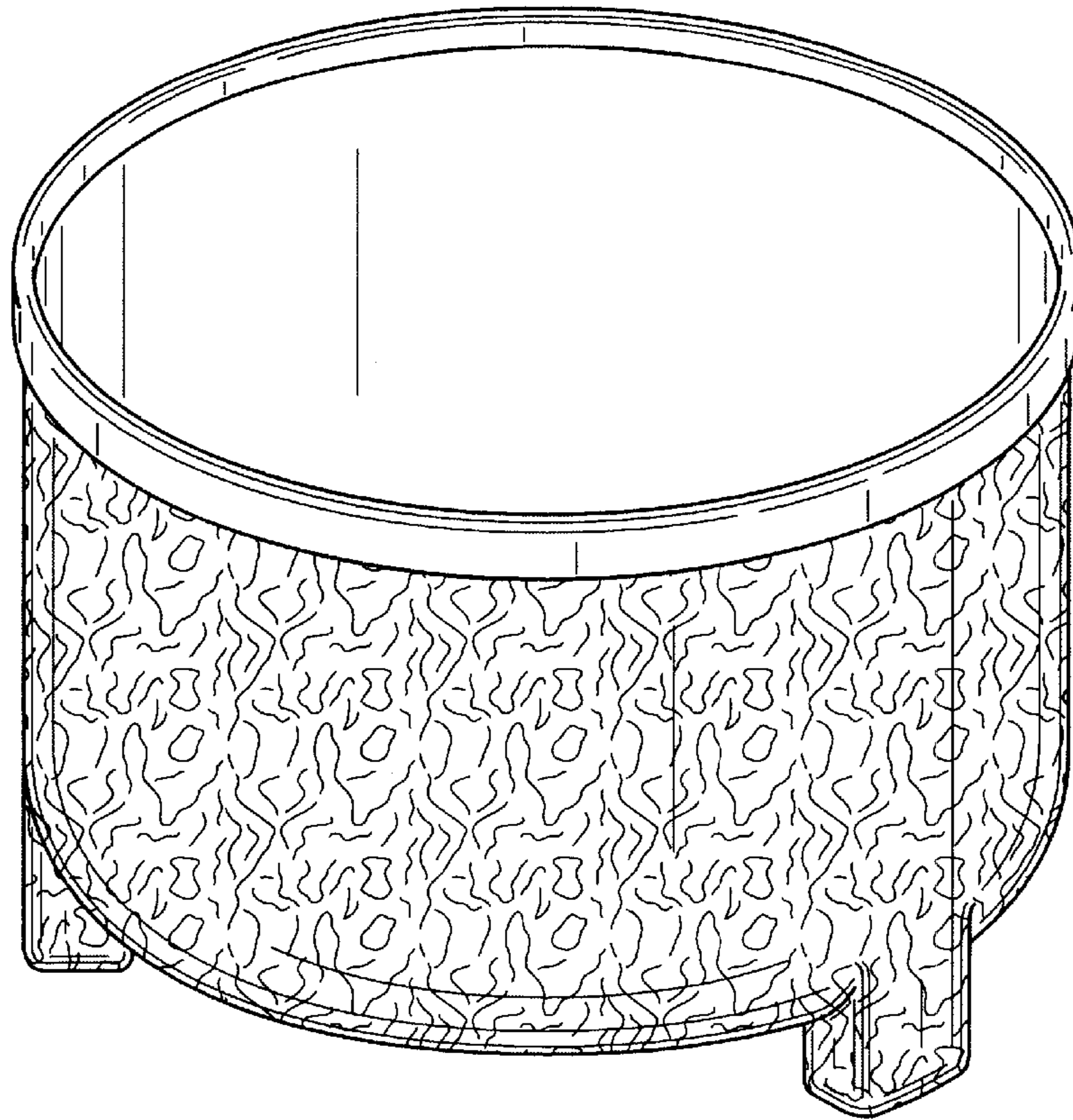


FIG. 1

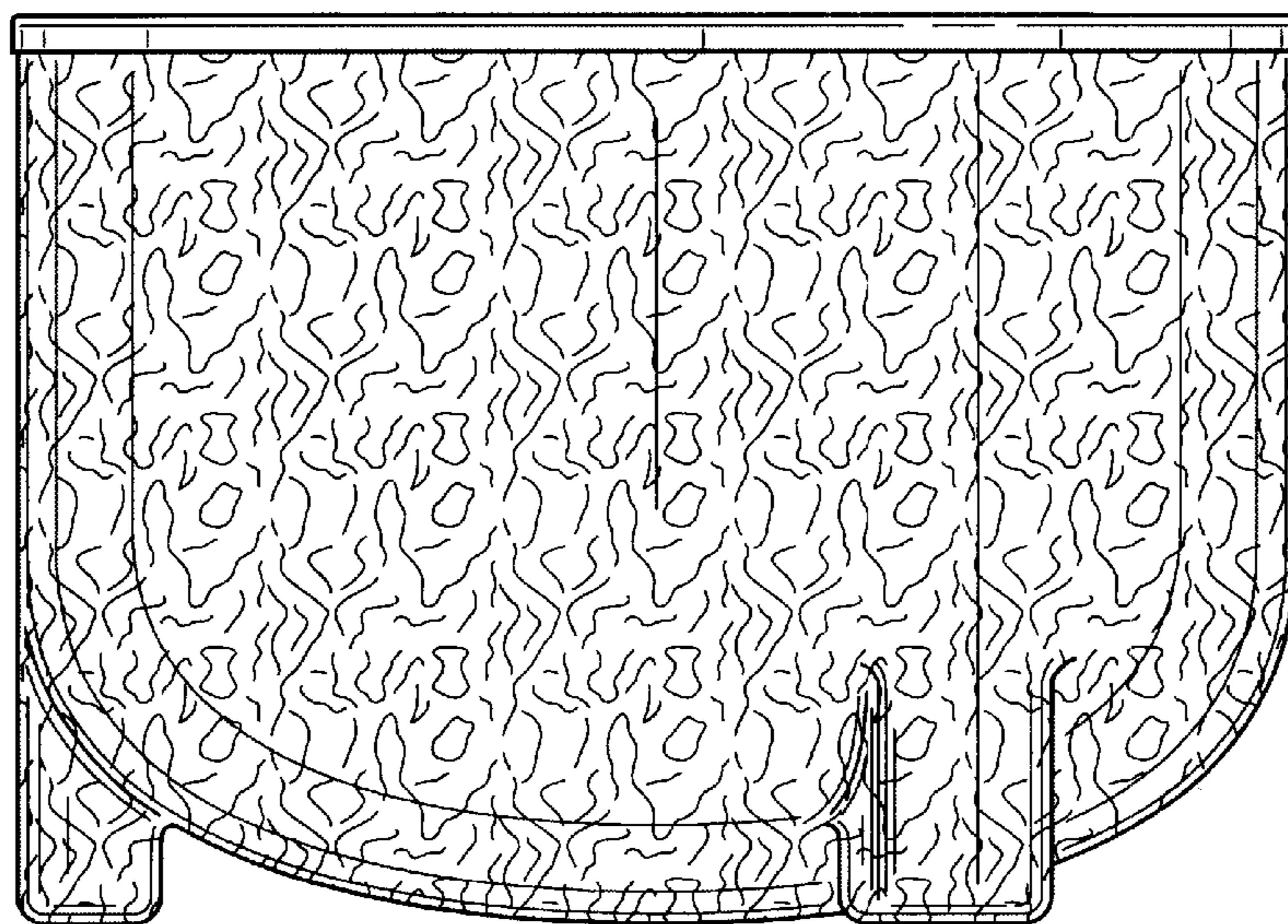


FIG. 2

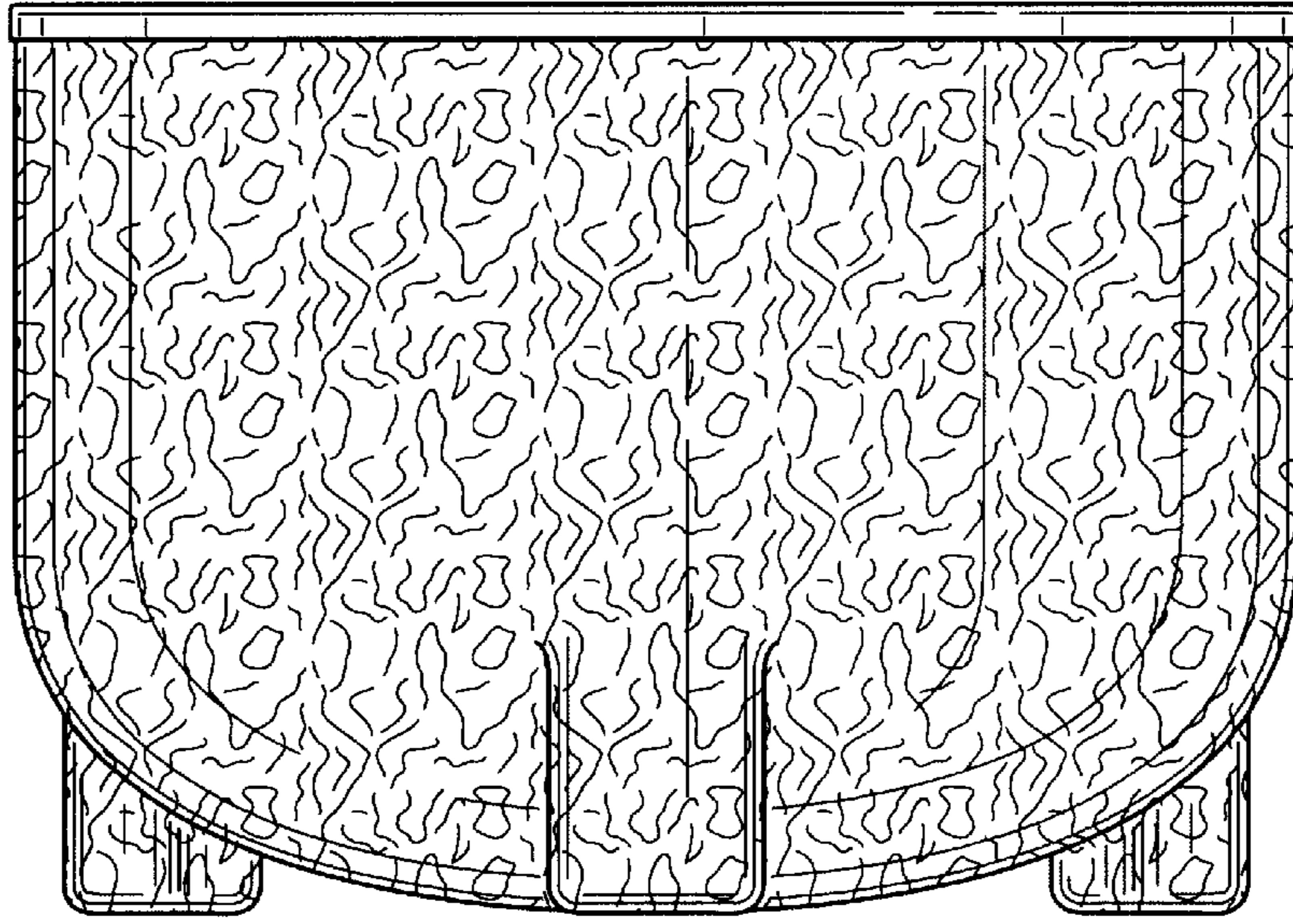


FIG. 3

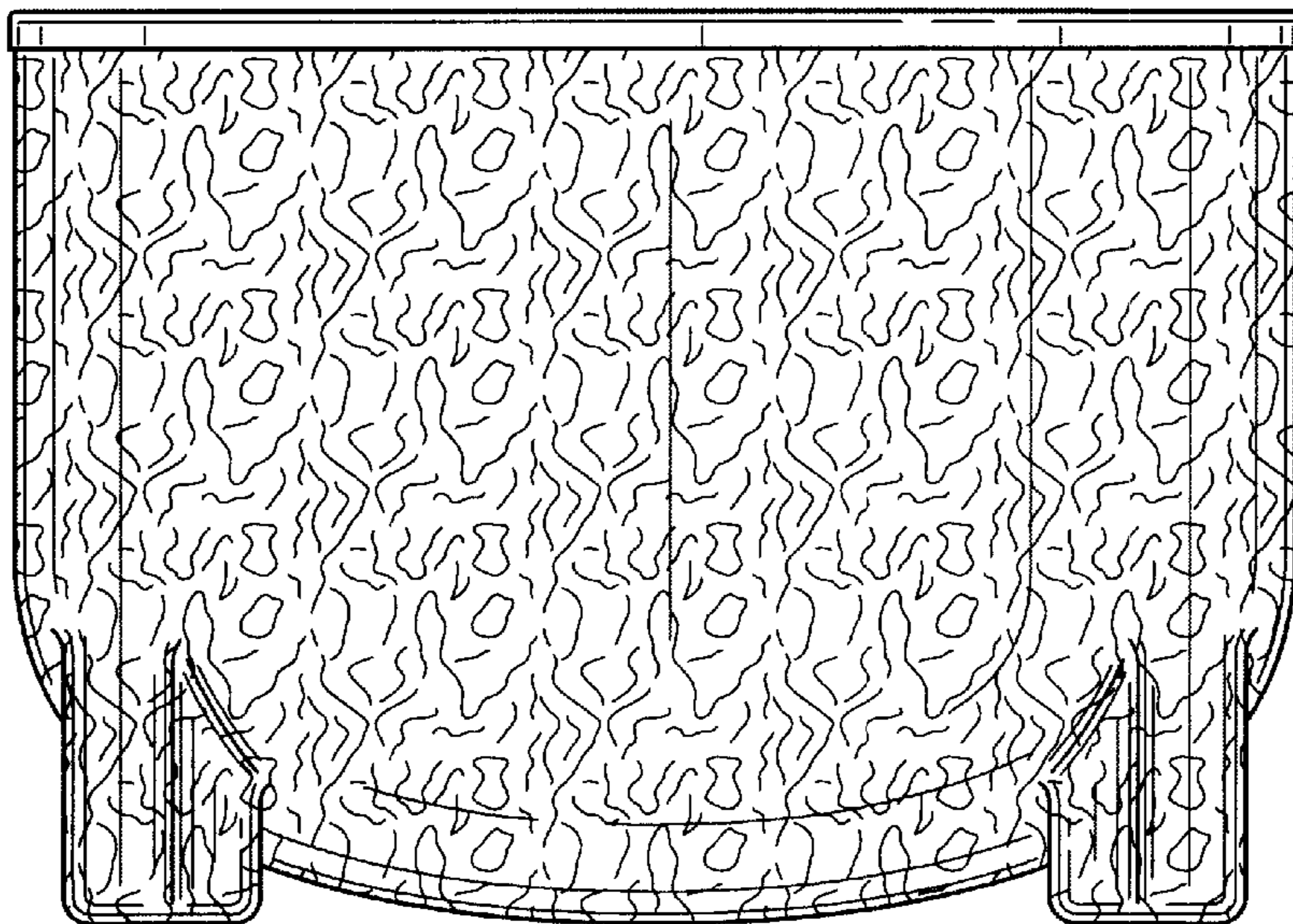


FIG. 4

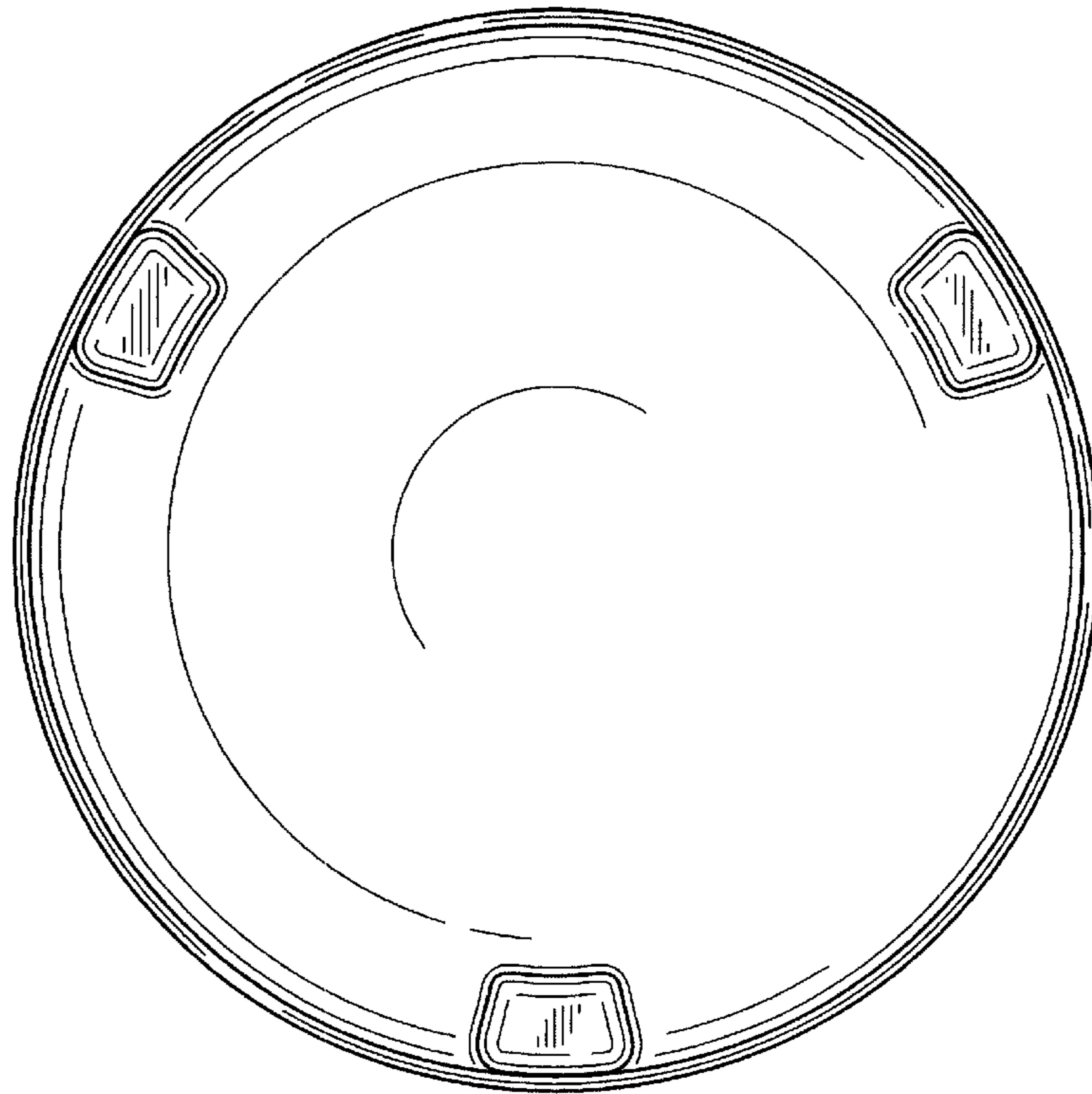


FIG. 5

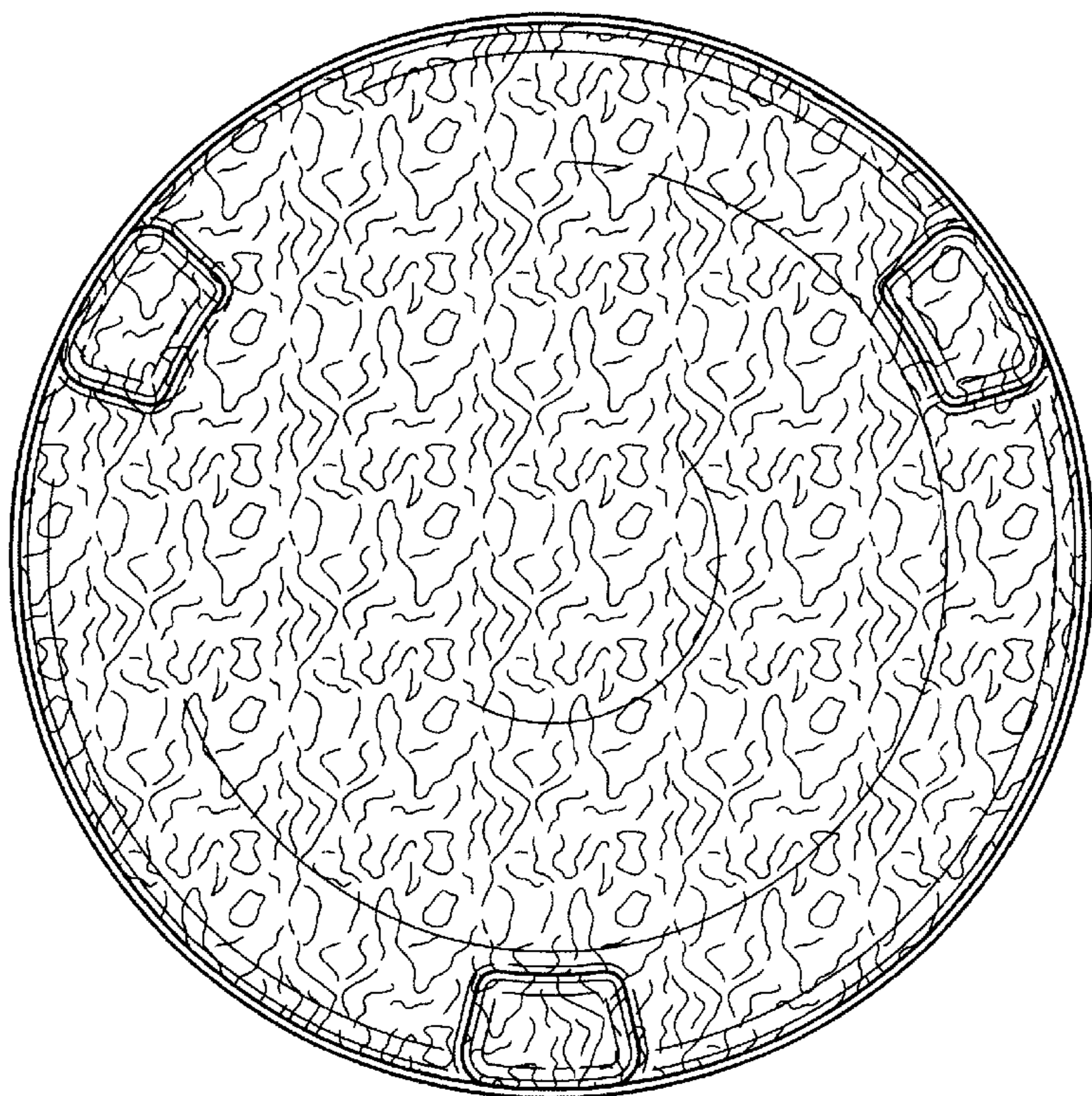


FIG. 6