



US00D482277S

(12) **United States Design Patent** (10) **Patent No.:** **US D482,277 S**
Castellanos et al. (45) **Date of Patent:** **** Nov. 18, 2003**

(54) **FOOD PACKAGE**

D430,023 S * 8/2000 Shurtleff et al. D9/425
D450,240 S * 11/2001 Haag et al. D9/425

(75) Inventors: **Carolina Castellanos**, DeForest, WI (US); **Daniel Eugene Doucette**, DeForest, WI (US)

* cited by examiner

(73) Assignee: **Kraft Foods Holdings, Inc.**, Northfield, IL (US)

Primary Examiner—Prabhakar Deshmukh
(74) *Attorney, Agent, or Firm*—Fitch, Even, Tabin & Flannery

(**) Term: **14 Years**

(57) **CLAIM**

(21) Appl. No.: **29/168,249**

We claim the ornamental design for a food package, as shown and described.

(22) Filed: **Sep. 27, 2002**

DESCRIPTION

(51) **LOC (7) Cl.** **09-03**

(52) **U.S. Cl.** **D9/425; D9/418**

(58) **Field of Search** D9/414, 418, 424, D9/425, 428, 432, 337; D7/629, 601, 602; 206/216, 541, 203, 508, 518, 484, 484.1, 484.2, 459.1, 557, 524.3; 220/556, 241, 242, 781, 780, 350, 376, 664; 229/123.1, 123.2, 200, 4.5, 406, 407, 902, 904, 938; 426/106, 125

FIG. 1 is a perspective view of a food package showing my new design, some portions of the design are not shown for clarity of illustration and the broken lines showing of the package label and meat slices are for illustrative purpose only and form no part of the claimed design;

FIG. 2 is a perspective view of the food package according to my new design showing the package in its horizontal orientation;

FIG. 3 is a front elevational view of the food package of FIG. 2;

FIG. 4 is a top plan view of the food package of FIG. 2;

FIG. 5 is a bottom plan view of the food package of FIG. 2;

FIG. 6 is a rear elevational view of the food package of FIG. 2;

FIG. 7 is a right side elevational view of the food package of FIG. 2;

FIG. 8 is a left side elevational view of the food package of FIG. 2; and,

FIG. 9 is an exploded perspective view of the food package of FIG. 2 showing the package lid lifted off from the tray of the package.

(56) **References Cited**

U.S. PATENT DOCUMENTS

3,344,974	A	*	10/1967	Bostrom	206/518
D276,026	S	*	10/1984	Hexamer	D9/425
4,935,252	A	*	6/1990	Huang et al.	426/109
4,946,038	A	*	8/1990	Eaton	206/528
5,123,527	A	*	6/1992	Hustad	206/769
D334,141	S	*	3/1993	Gottofredi	D9/425
D348,394	S	*	7/1994	Dreyer	D9/425
D349,456	S	*	8/1994	Wilson	D9/425
D368,030	S	*	3/1996	Elbaz	D9/425
5,747,084	A	*	5/1998	Cochran et al.	206/541

1 Claim, 4 Drawing Sheets

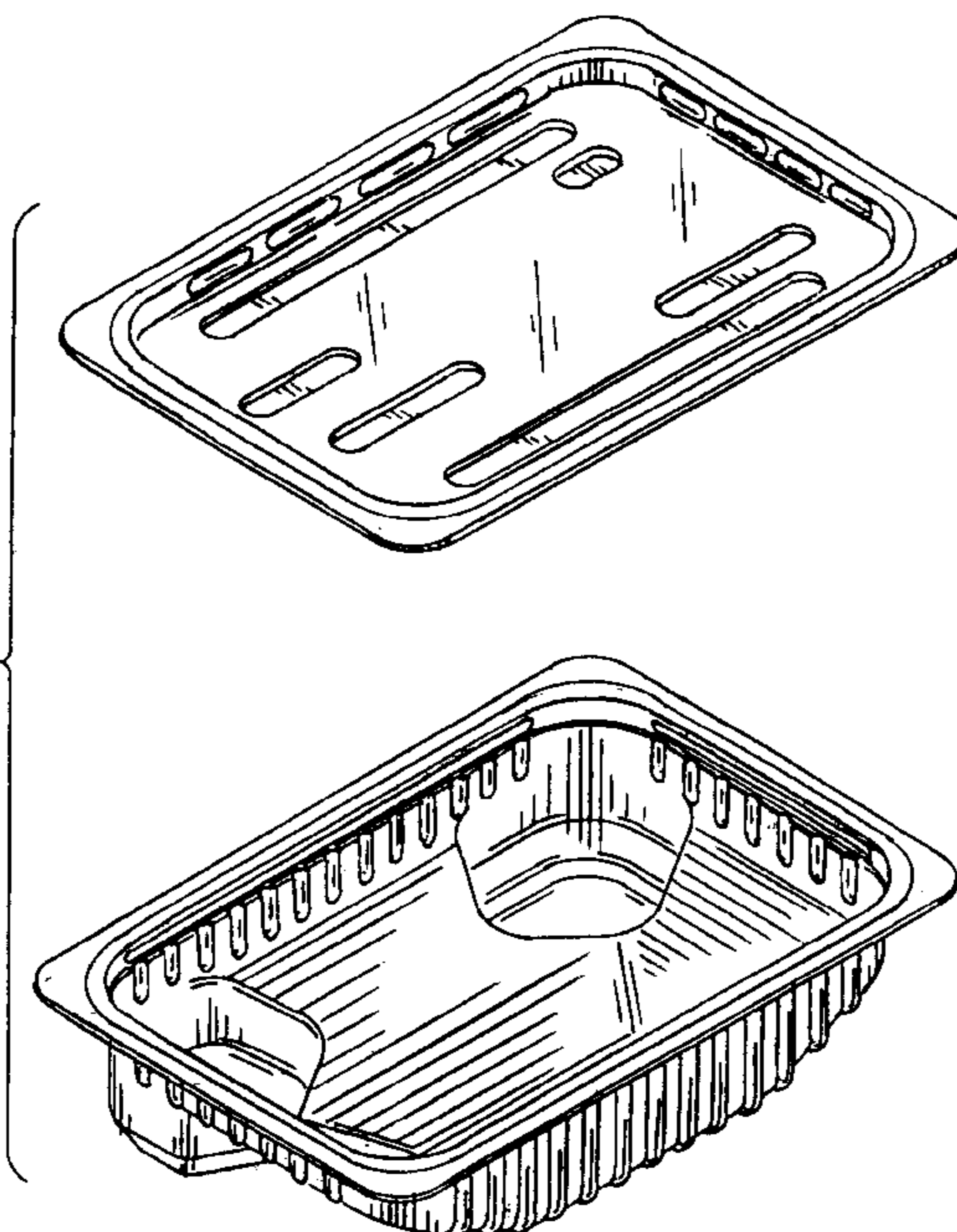


FIG. 1

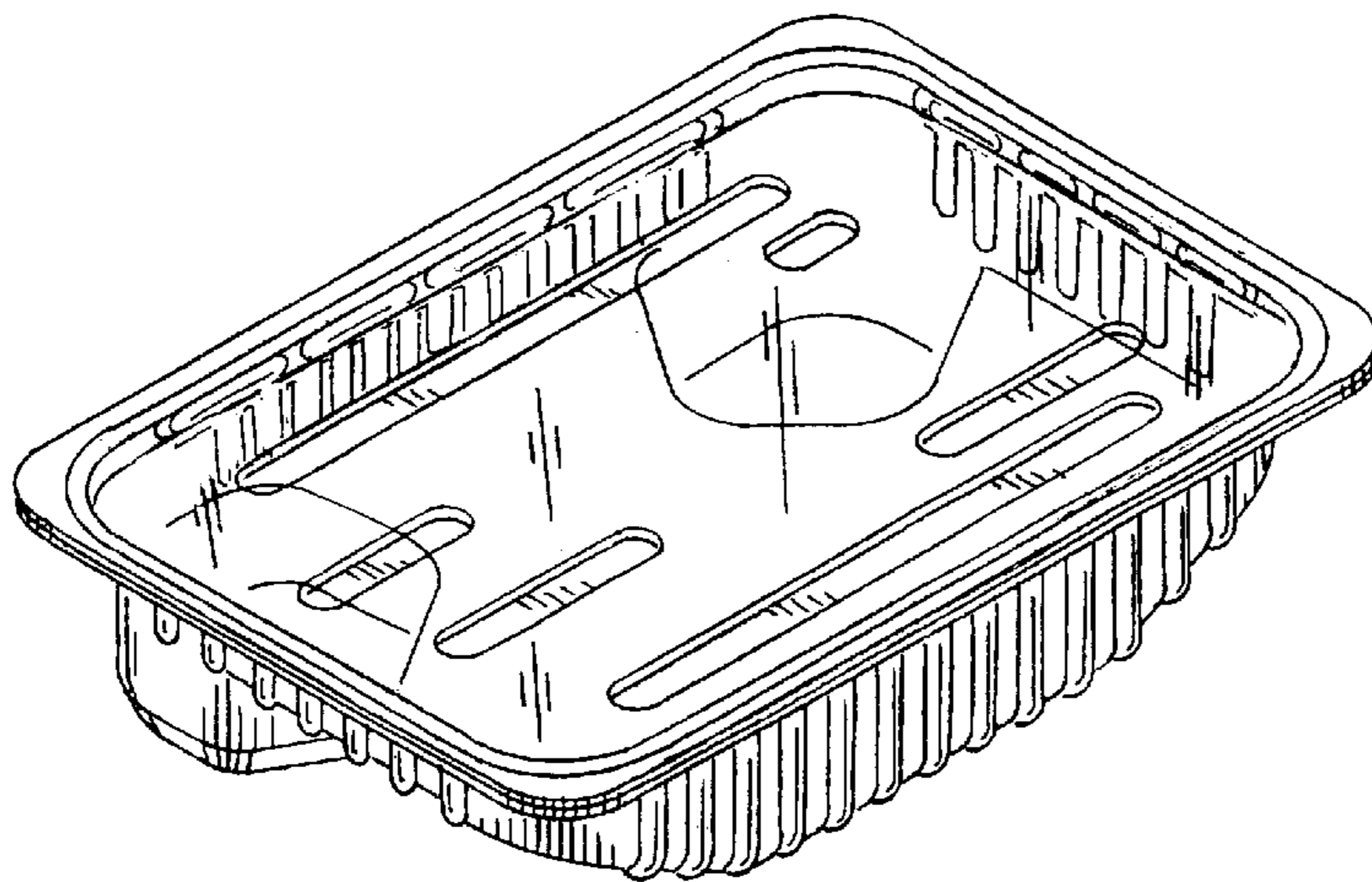
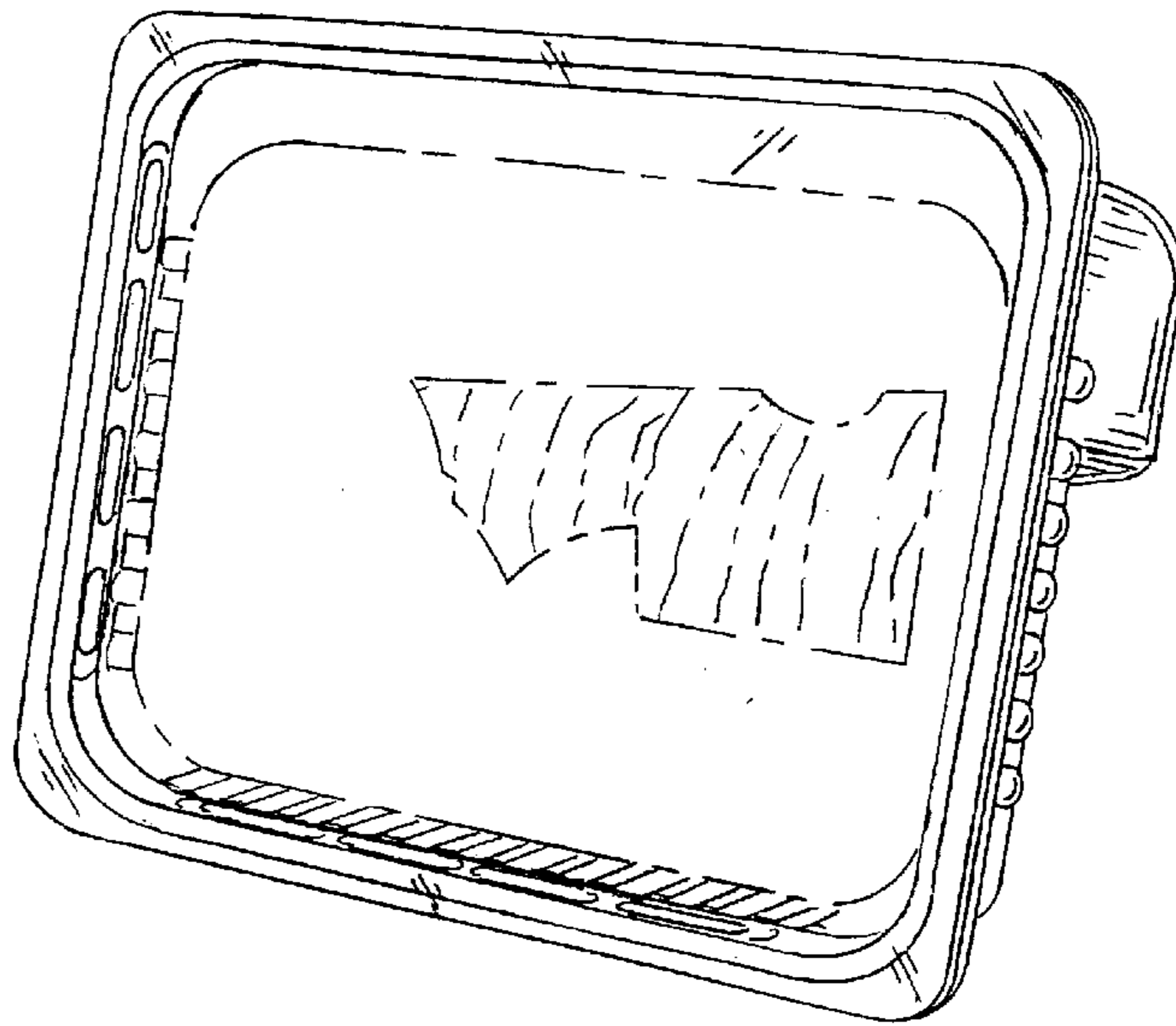
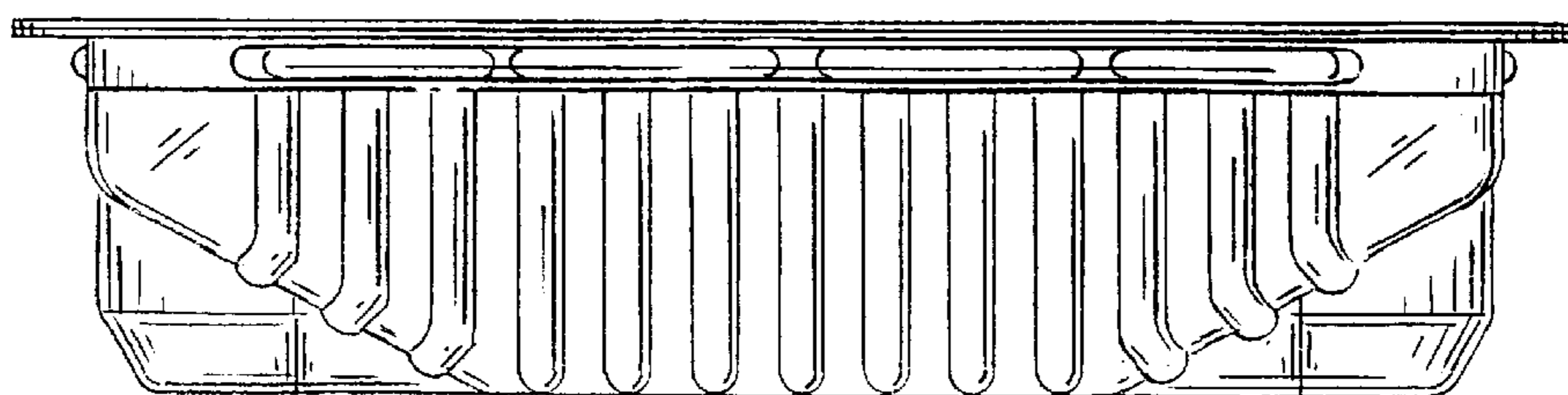


FIG. 2

FIG. 3



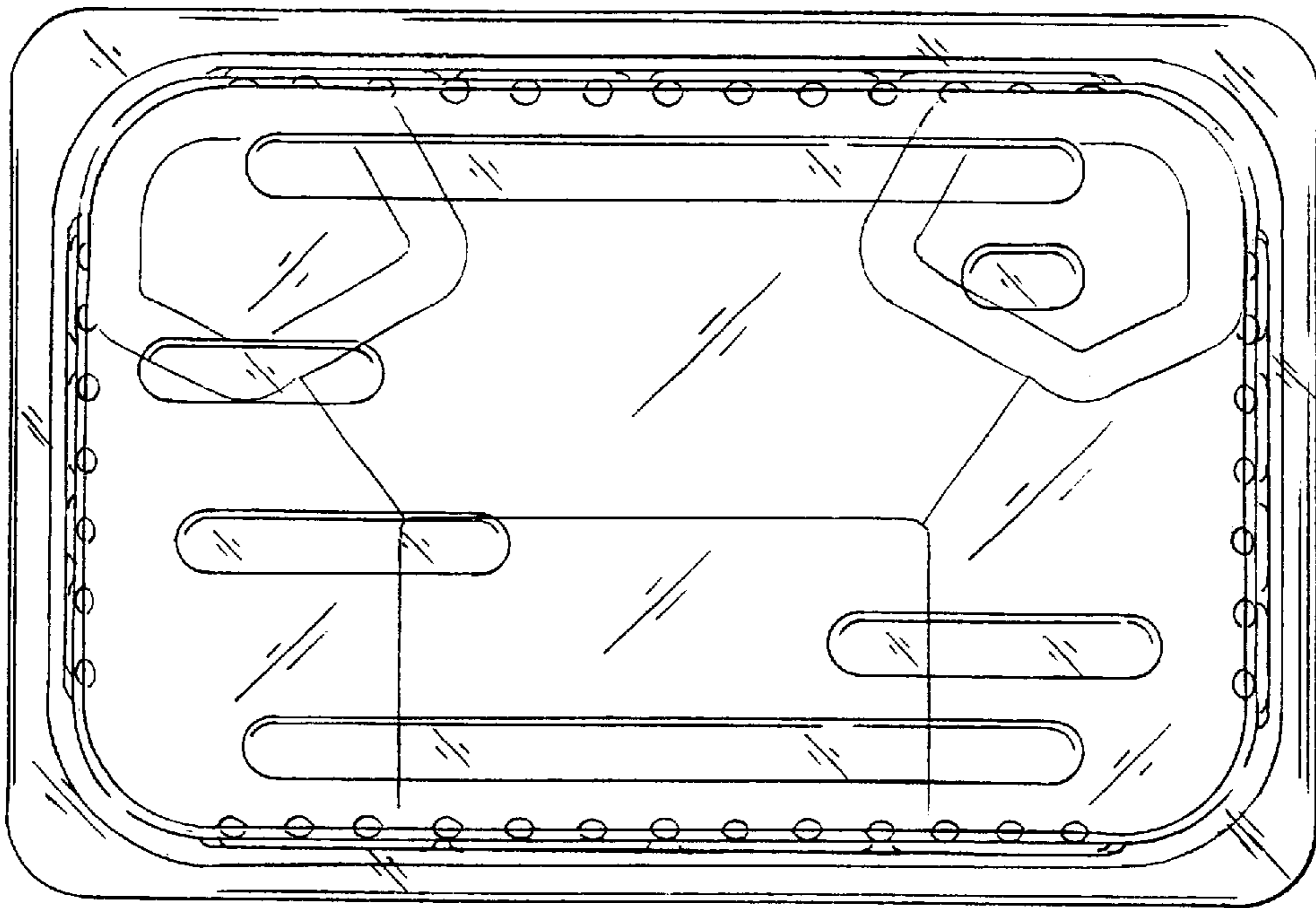
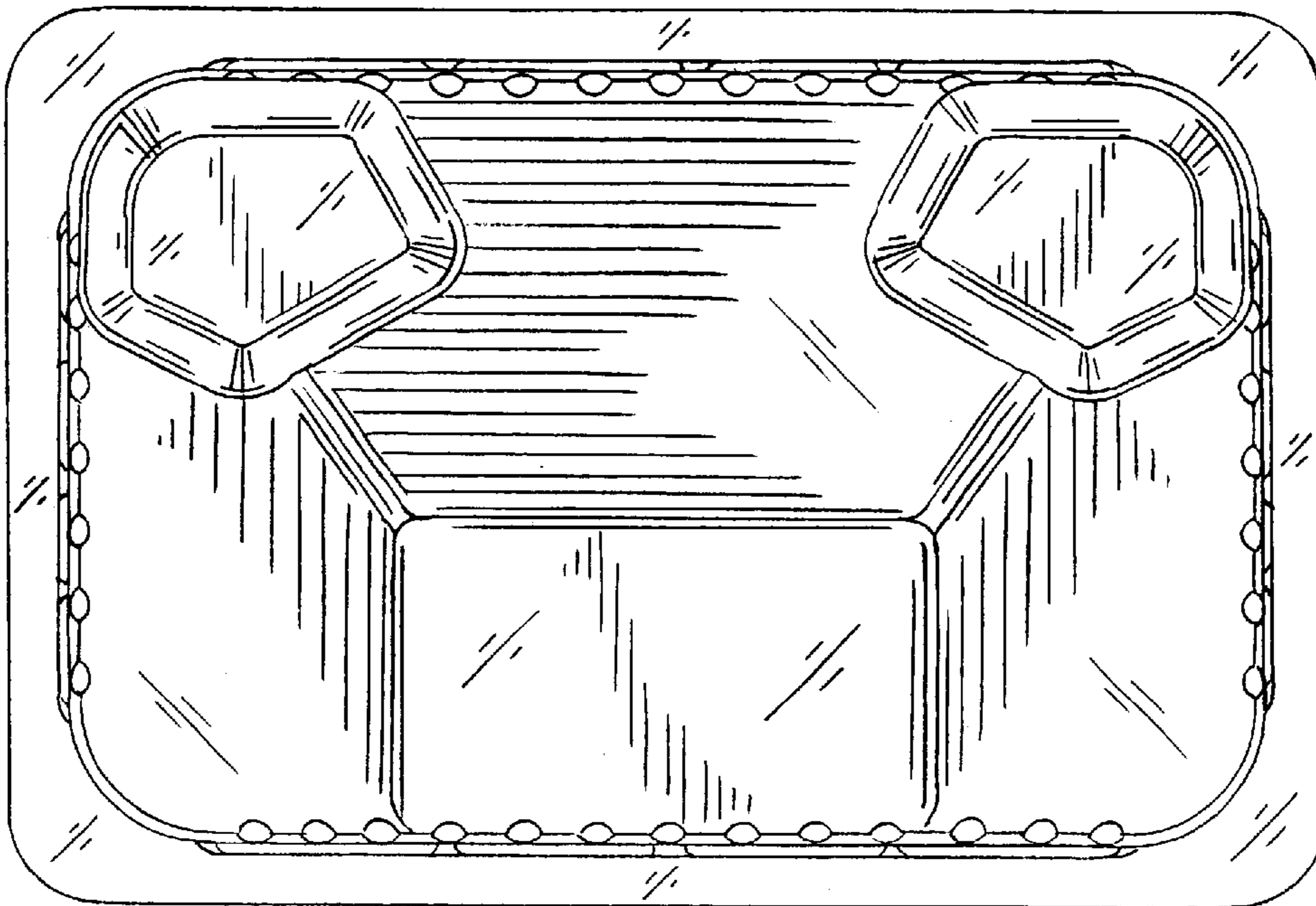


FIG. 4

FIG. 5



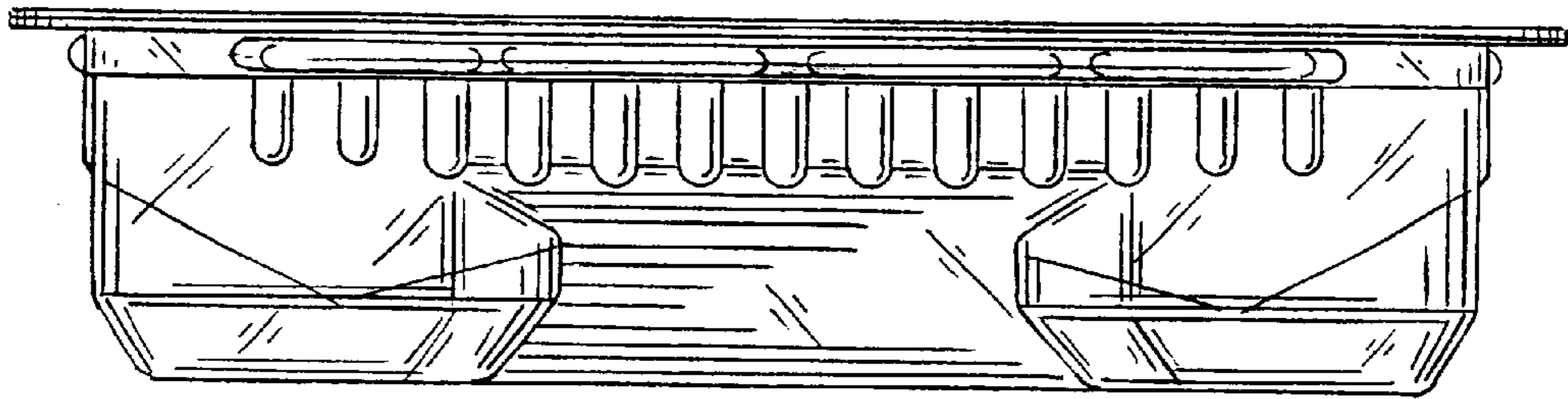


FIG. 6

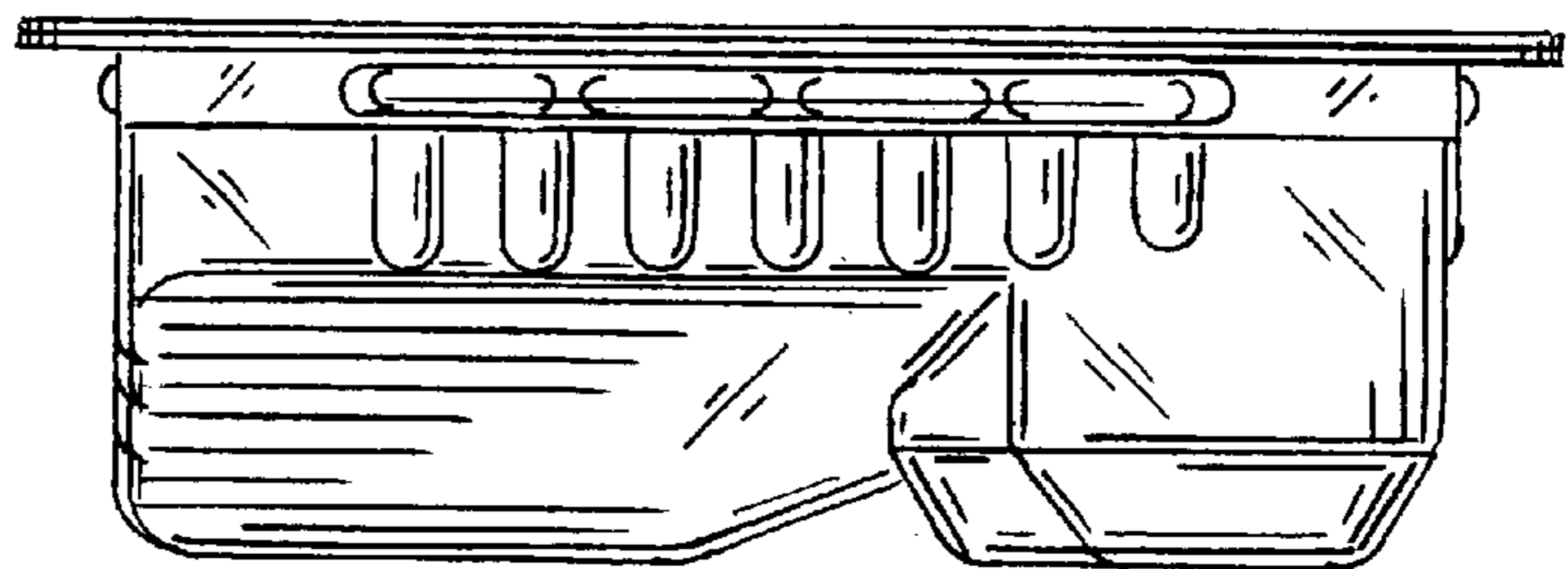


FIG. 7

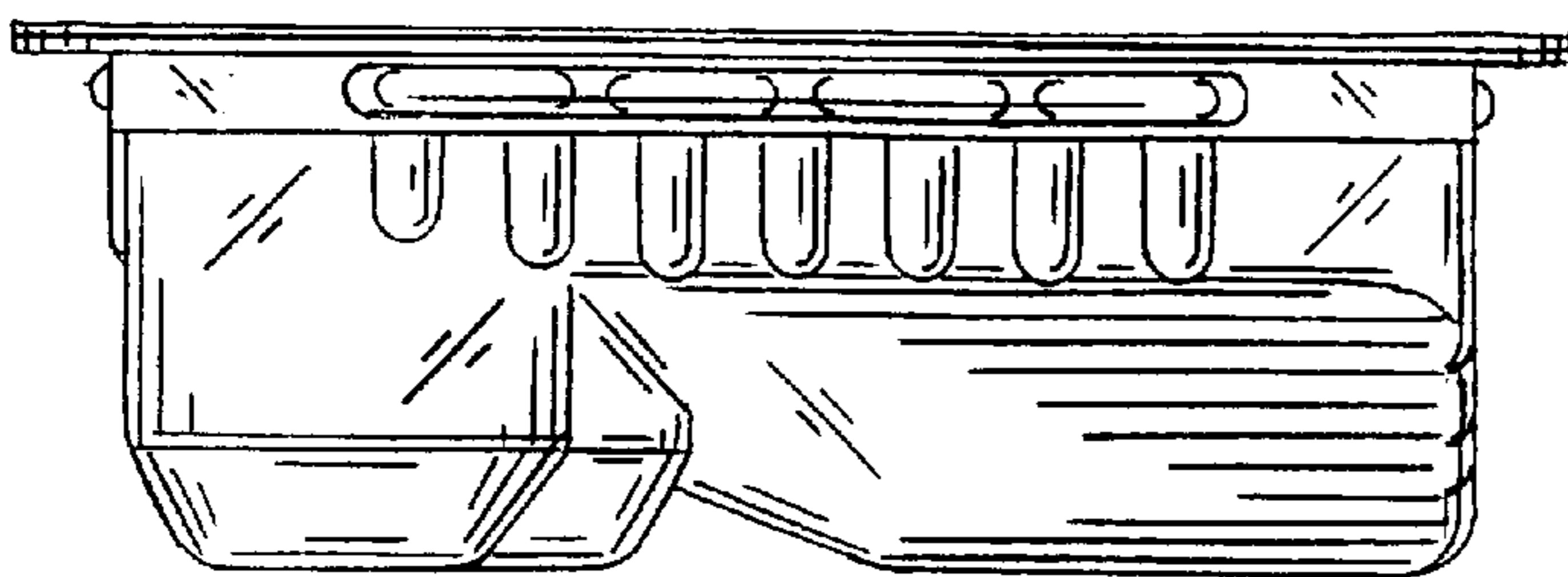


FIG. 8

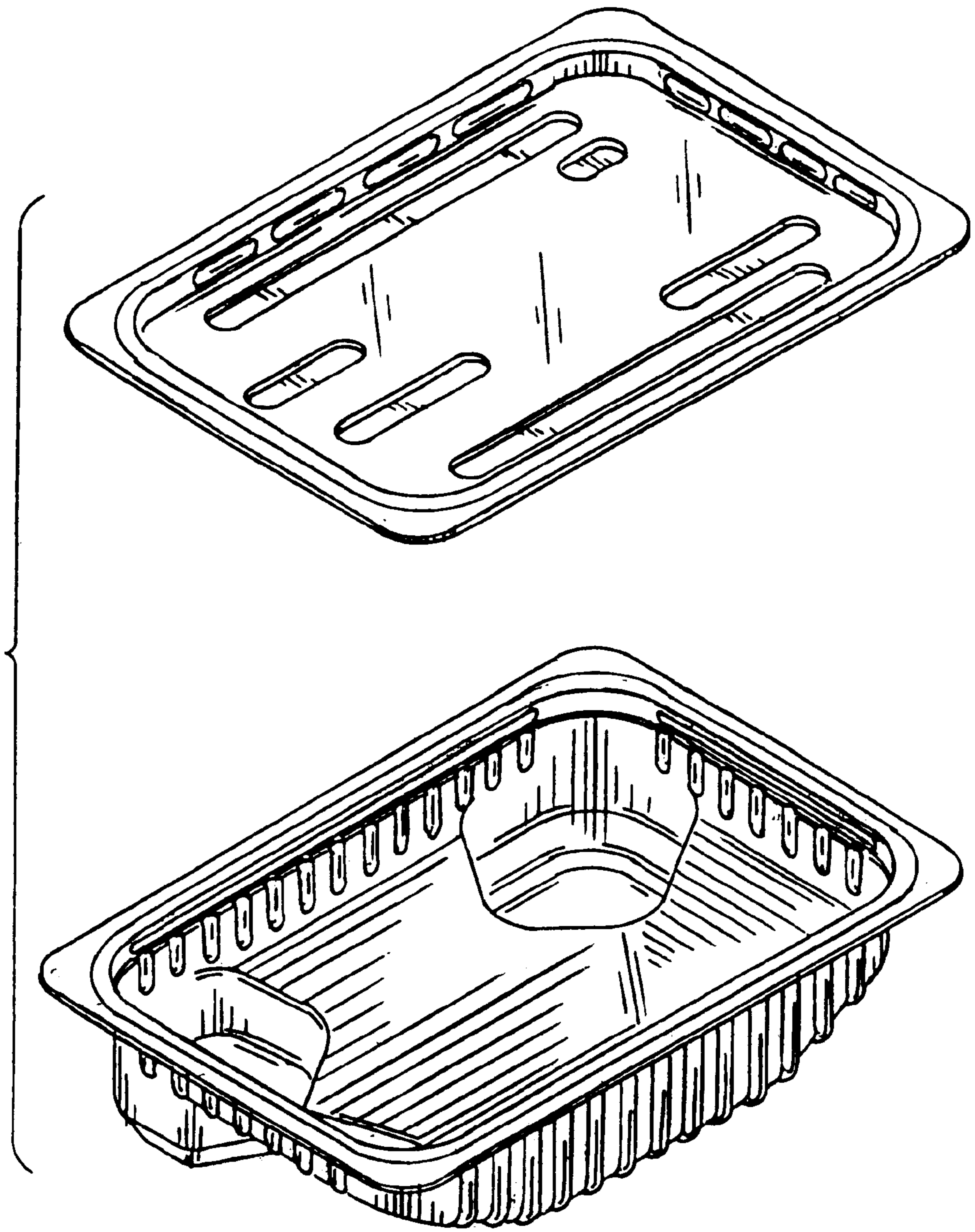


FIG. 9