



US00D482276S

(12) **United States Design Patent**
Wang

(10) **Patent No.:** **US D482,276 S**

(45) **Date of Patent:** **** Nov. 18, 2003**

(54) **FOOD CONTAINER**

(75) Inventor: **Tzu-Chung Wang**, Chang-Hua Hsien (TW)

(73) Assignee: **JOJOMO Enterprise Co., Ltd.**, Chang-Hua Hsien (TW)

(**) Term: **14 Years**

(21) Appl. No.: **29/174,277**

(22) Filed: **Jan. 14, 2003**

(51) **LOC (7) Cl.** **09-03**

(52) **U.S. Cl.** **D9/424; D9/428; D9/429; D9/425**

(58) **Field of Search** D9/414, 424, 425, D9/428, 429; D7/550.1, 553.7, 560, 586, 587, 619, 641; 229/400, 406, 407, 432; 220/656-659, 669-675, 912, 556, 662; 206/508, 503, 515

(56) **References Cited**

U.S. PATENT DOCUMENTS

2,763,421 A * 9/1956 Bennett 229/406

3,140,807 A * 7/1964 Bostrom 229/406
4,605,127 A * 8/1986 Magnussen, Jr. 229/406
D322,403 S * 12/1991 Eaton D9/429
5,203,836 A * 4/1993 Brazis et al. 220/574
D364,564 S * 11/1995 Moore D9/429
D381,563 S * 7/1997 Longstreth D7/610
D414,413 S * 9/1999 Brown D9/429

* cited by examiner

Primary Examiner—Prabhakar Deshmukh

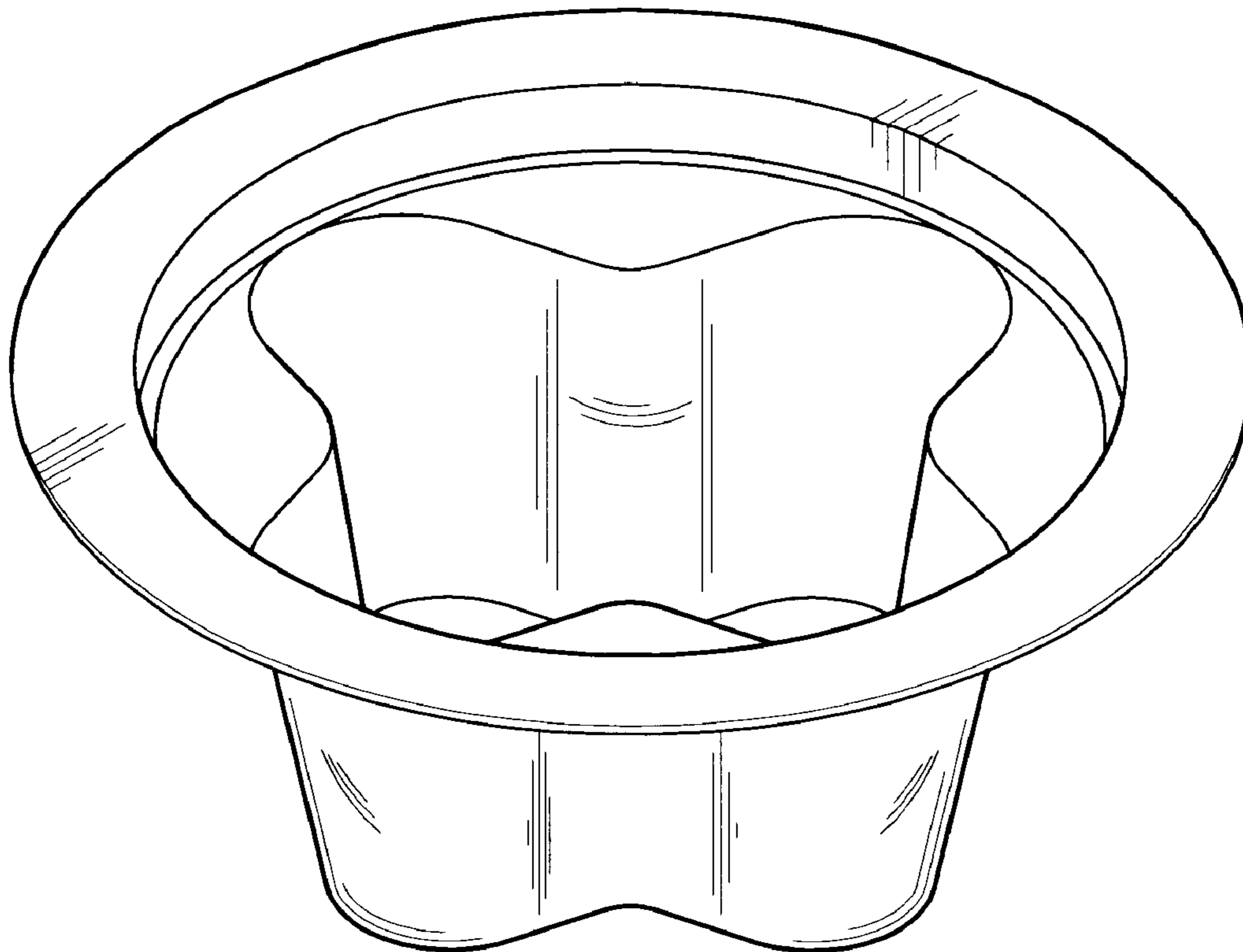
(57) **CLAIM**

The ornamental design for food container, as shown and described.

DESCRIPTION

FIG. 1 is a perspective view of food container showing my new design;
FIG. 2 is a front elevational view thereof;
FIG. 3 is a rear elevational view thereof;
FIG. 4 is a left side elevational view thereof;
FIG. 5 is right side elevational view thereof;
FIG. 6 is a top view thereof; and,
FIG. 7 is a bottom view thereof.

1 Claim, 7 Drawing Sheets



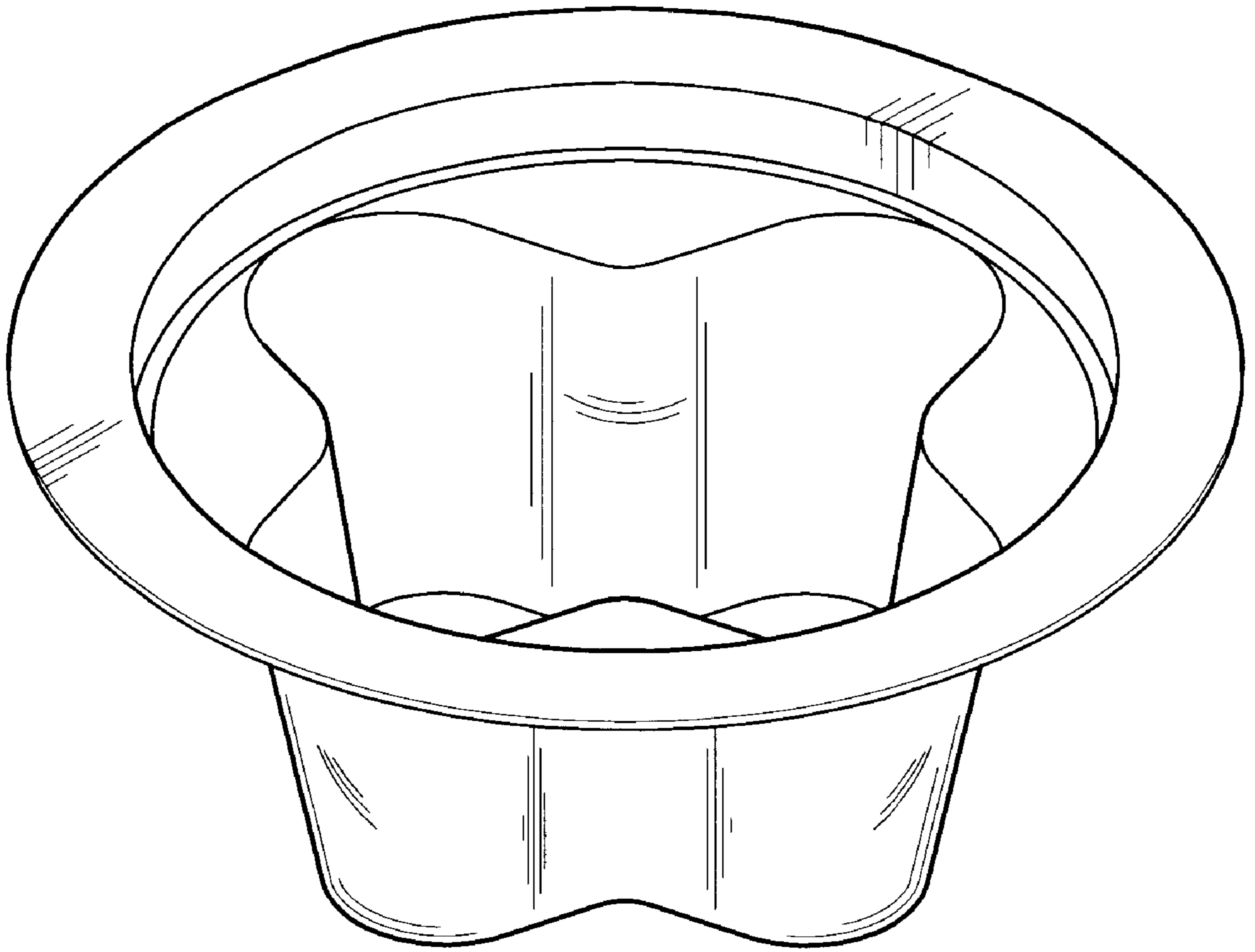


FIG. 1

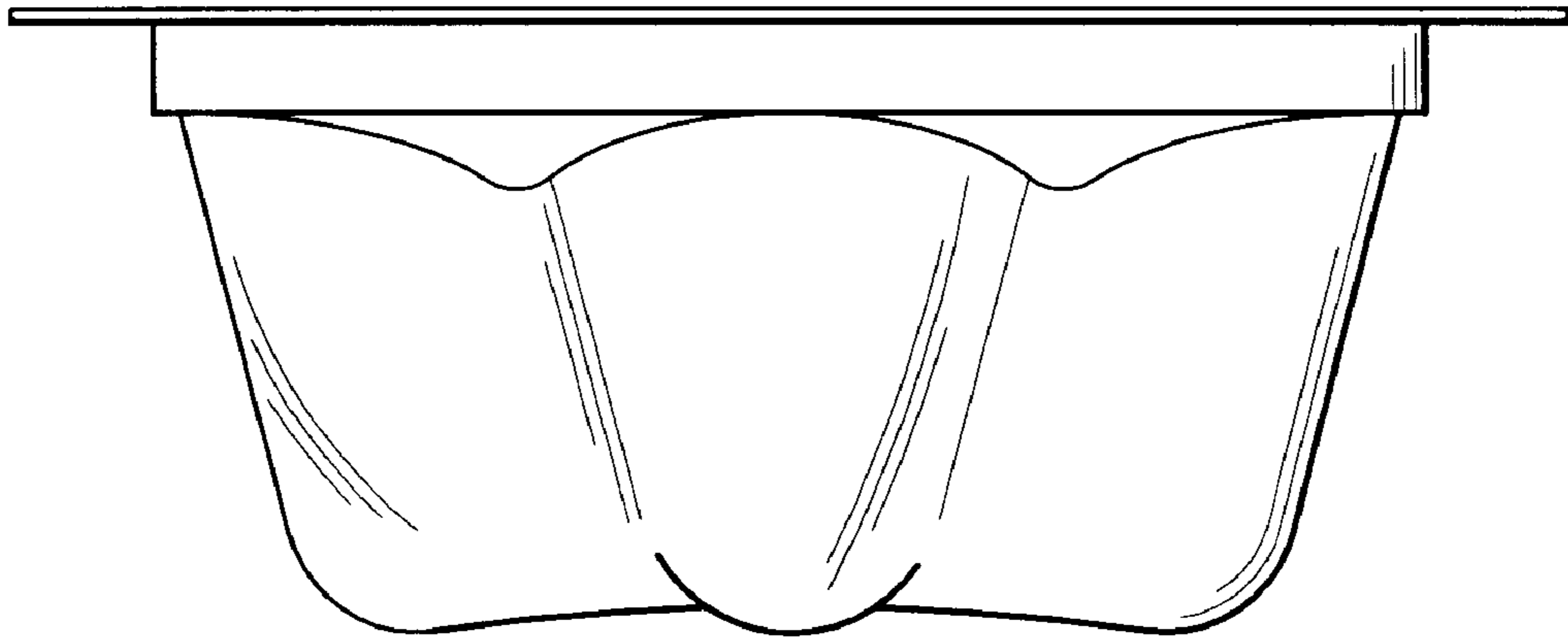


FIG. 2

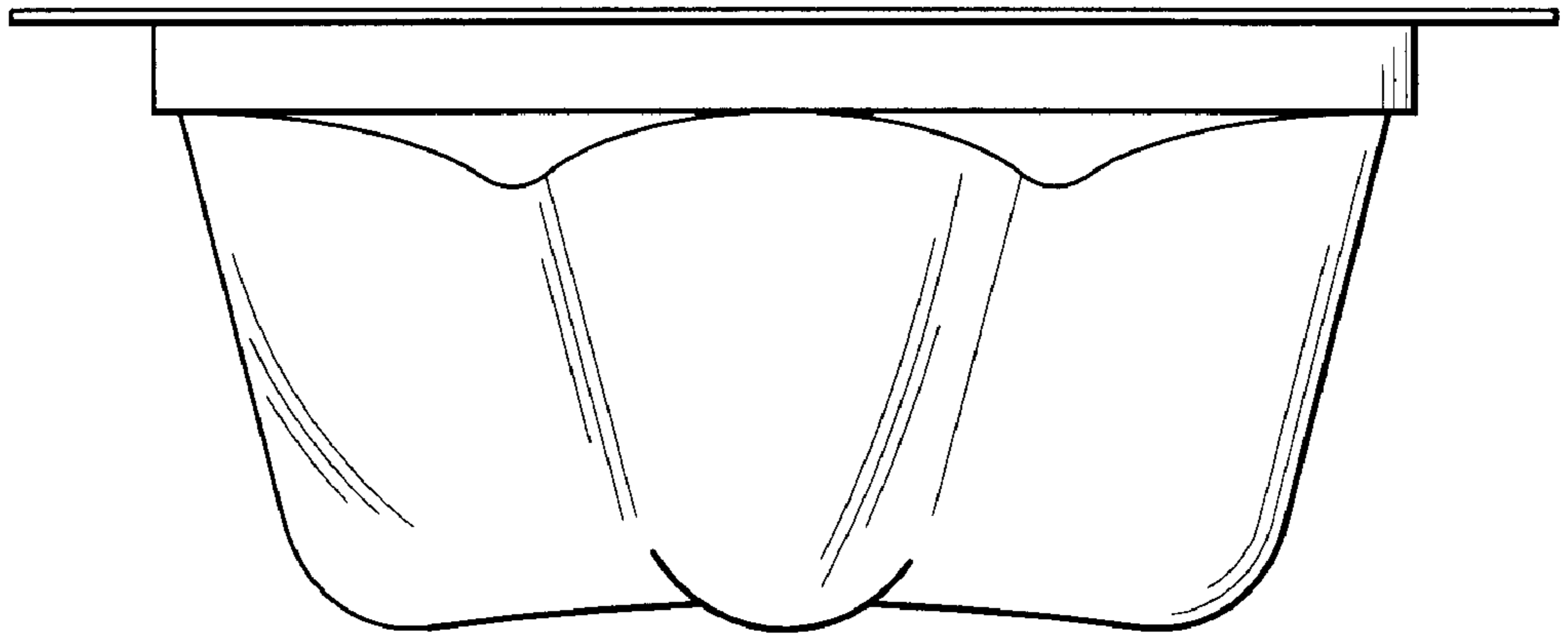


FIG. 3

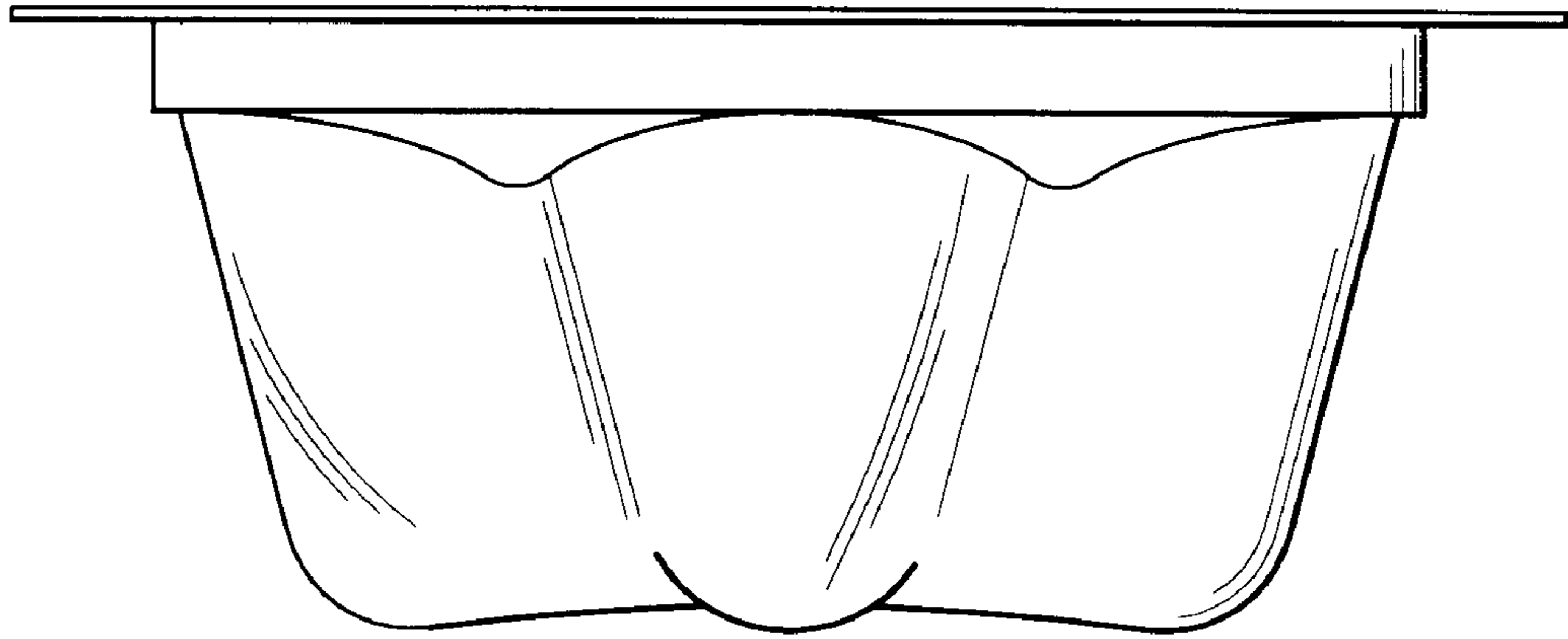


FIG. 4

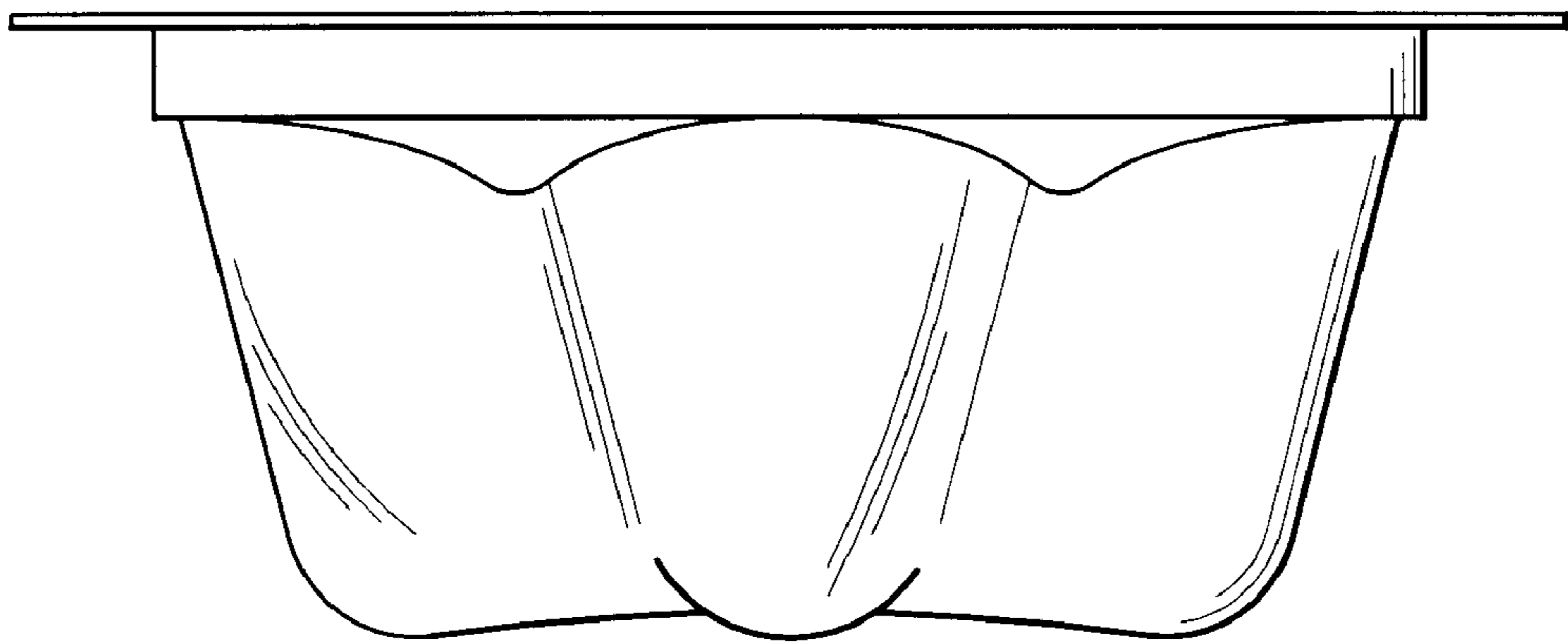


FIG. 5

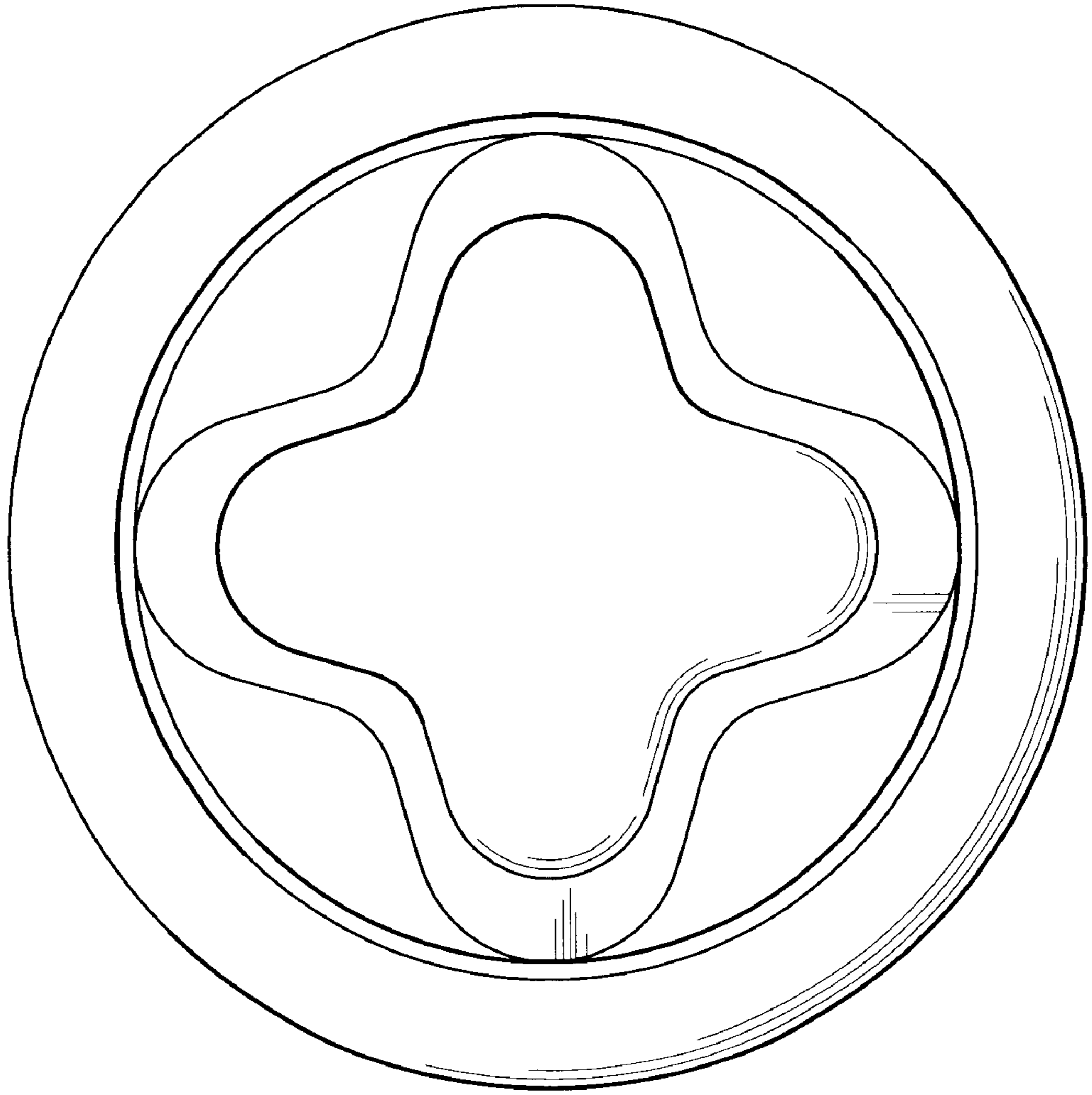


FIG. 6

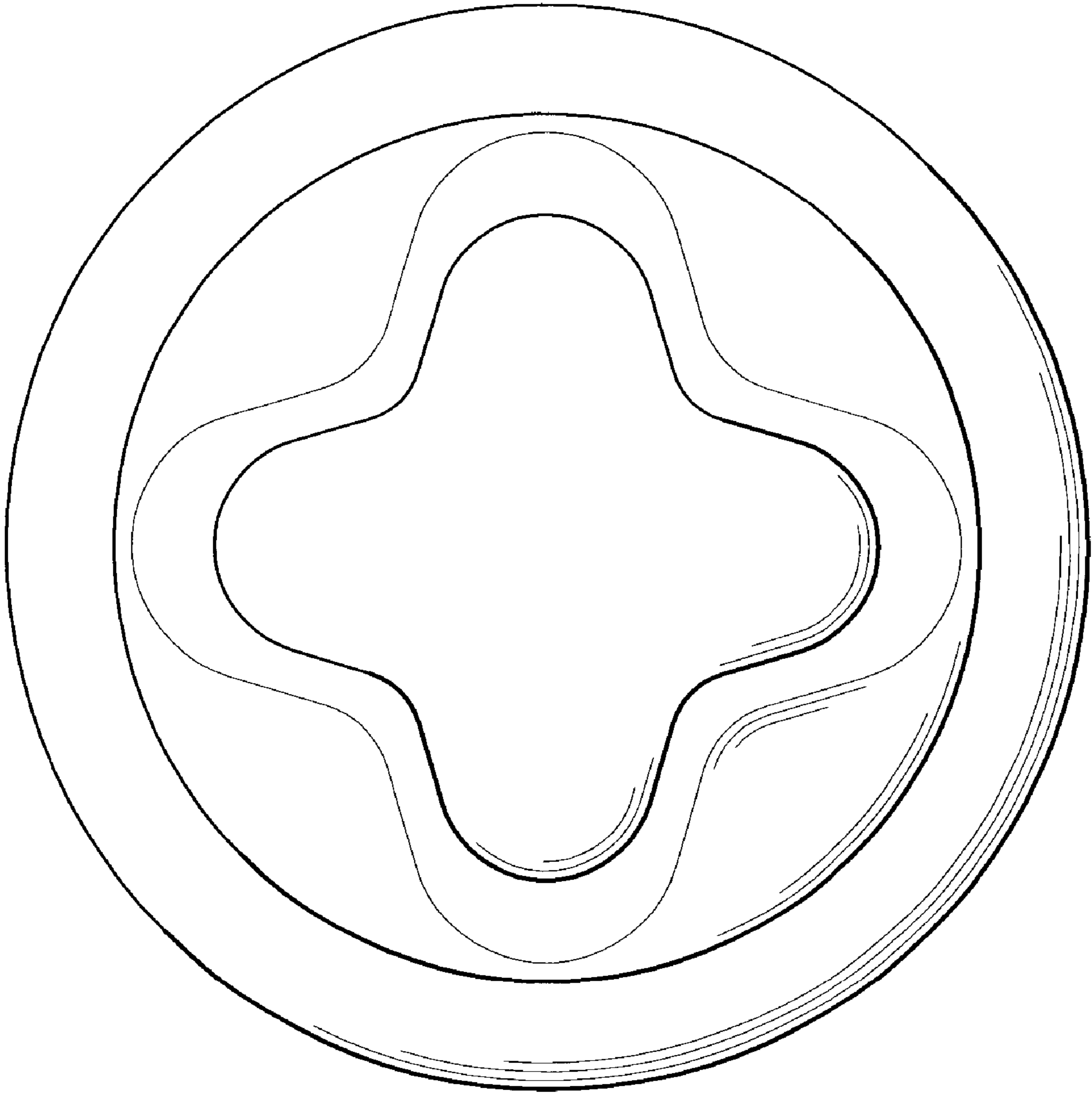


FIG. 7