



US00D482275S

(12) **United States Design Patent**
Kilduff

(10) **Patent No.:** **US D482,275 S**

(45) **Date of Patent:** **** Nov. 18, 2003**

(54) **PARTIAL WINE GLASS DISPLAY WITH IDENTIFICATION TAG**

D437,777 S * 2/2001 Wootton D9/415
6,244,554 B1 * 6/2001 Baker 220/23.83
6,293,034 B1 * 9/2001 Skapyak et al. 40/310

(75) Inventor: **Edward Kilduff**, New York, NY (US)

* cited by examiner

(73) Assignee: **Metrokane, Inc.**, New York, NY (US)

Primary Examiner—Prabhakar Deshmukh

(**) Term: **14 Years**

(74) *Attorney, Agent, or Firm*—Dorsey & Whitney LLP

(21) Appl. No.: **29/173,991**

(57) **CLAIM**

(22) Filed: **Jan. 10, 2003**

I claim the ornamental design for a partial wine glass display with identification tag, as shown.

(51) **LOC (7) Cl.** **09-03**

DESCRIPTION

(52) **U.S. Cl.** **D9/418; D9/415**

(58) **Field of Search** D9/414, 415, 418,
D9/432, 341, 346; 206/769–771, 223, 576,
303, 320, 553, 461, 462, 471, 822, 304.2,
427; 209/162, 116.1, 116.5, 89, 407, 74;
220/592.16, 592.17, 556, 662, 23.83; 428/913.3;
D20/22, 28, 44; 40/299, 310

FIG. 1 is a top, front and right side perspective view of a partial wine glass display with identification tag showing my new design;

FIG. 2 is a front elevation view of the display shown in FIG. 1.

FIG. 3 is a rear elevation view of the display shown in FIG. 1.

FIG. 4 is a left-side elevation view of the display shown in FIG. 1.

FIG. 5 is a top plan view of the display shown in FIG. 1.

FIG. 6 is a bottom plan view of the display shown in FIG. 1; and,

FIG. 7 is a right-side elevation view of the display shown in FIG. 1.

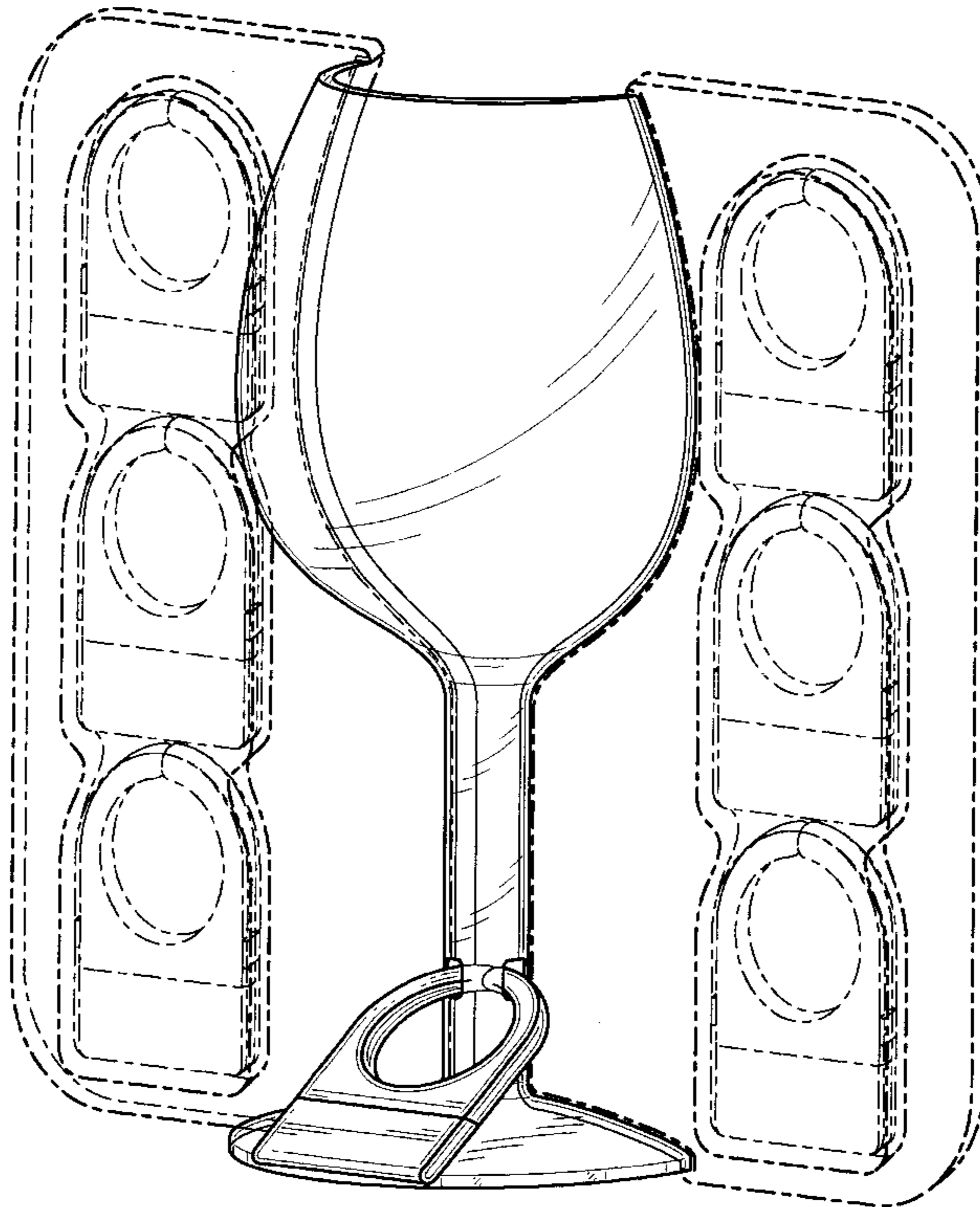
The broken lines are for illustrative purposes only and form no part of the claimed design.

(56) **References Cited**

U.S. PATENT DOCUMENTS

2,956,677 A * 10/1960 Kavadlo et al. 206/462
4,549,654 A * 10/1985 Tiesmn 206/462
D292,879 S * 11/1987 Smith D9/415
D329,808 S * 9/1992 Giraud D9/418
D336,594 S * 6/1993 Trush D7/509
D365,371 S * 12/1995 Dunlap D20/28
5,819,937 A * 10/1998 Walker 206/429
D426,267 S * 6/2000 Bush D20/28

1 Claim, 6 Drawing Sheets



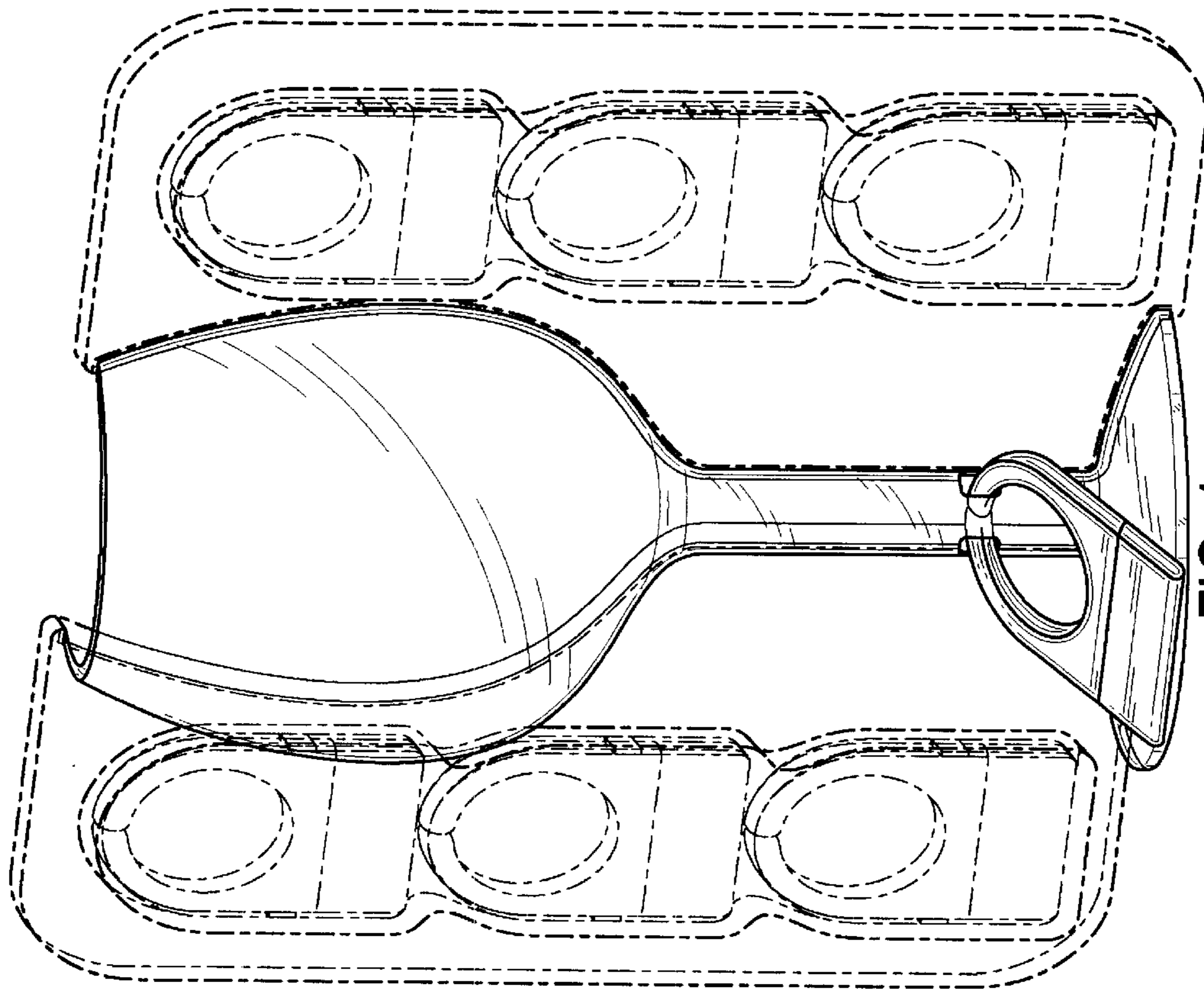


FIG. 1

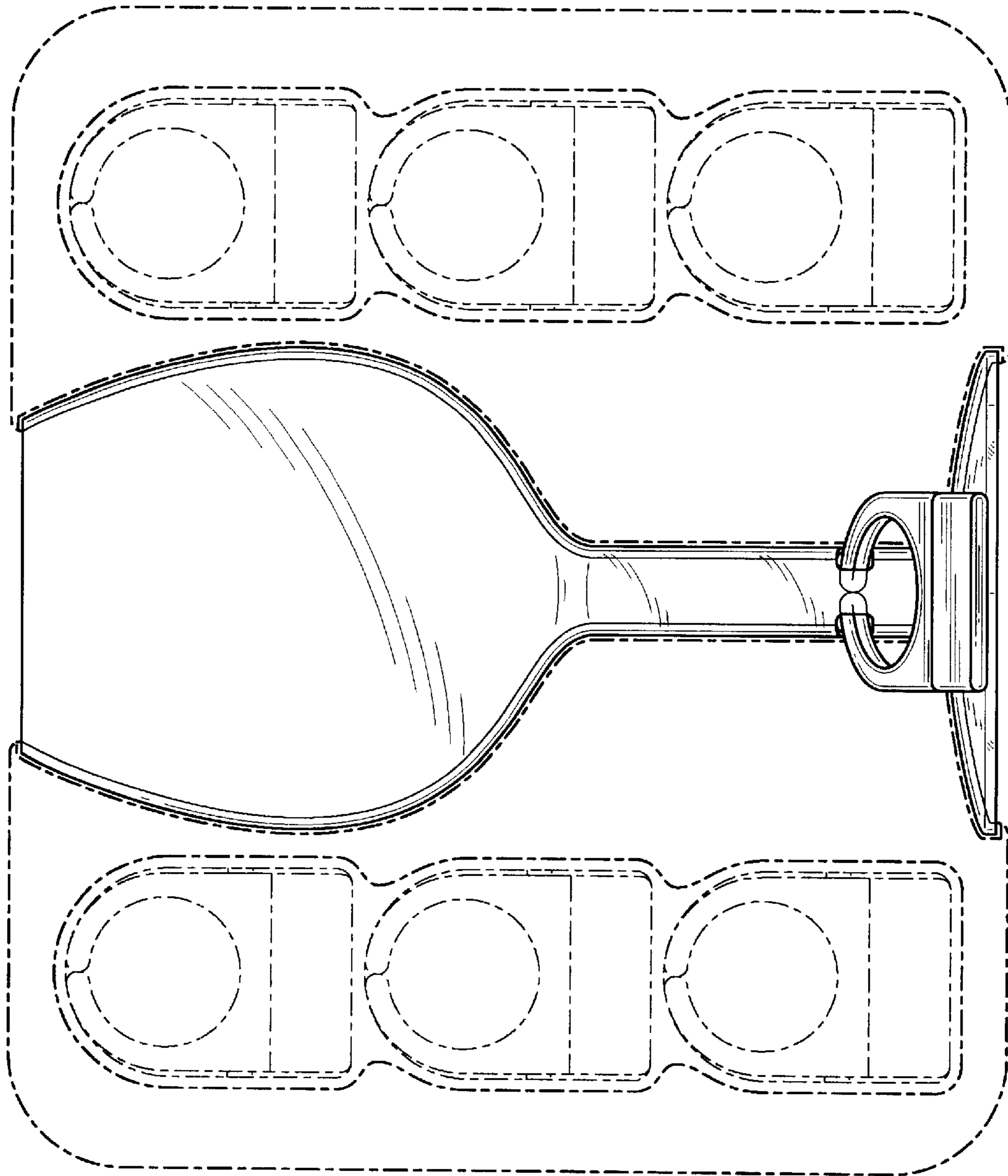


FIG. 2

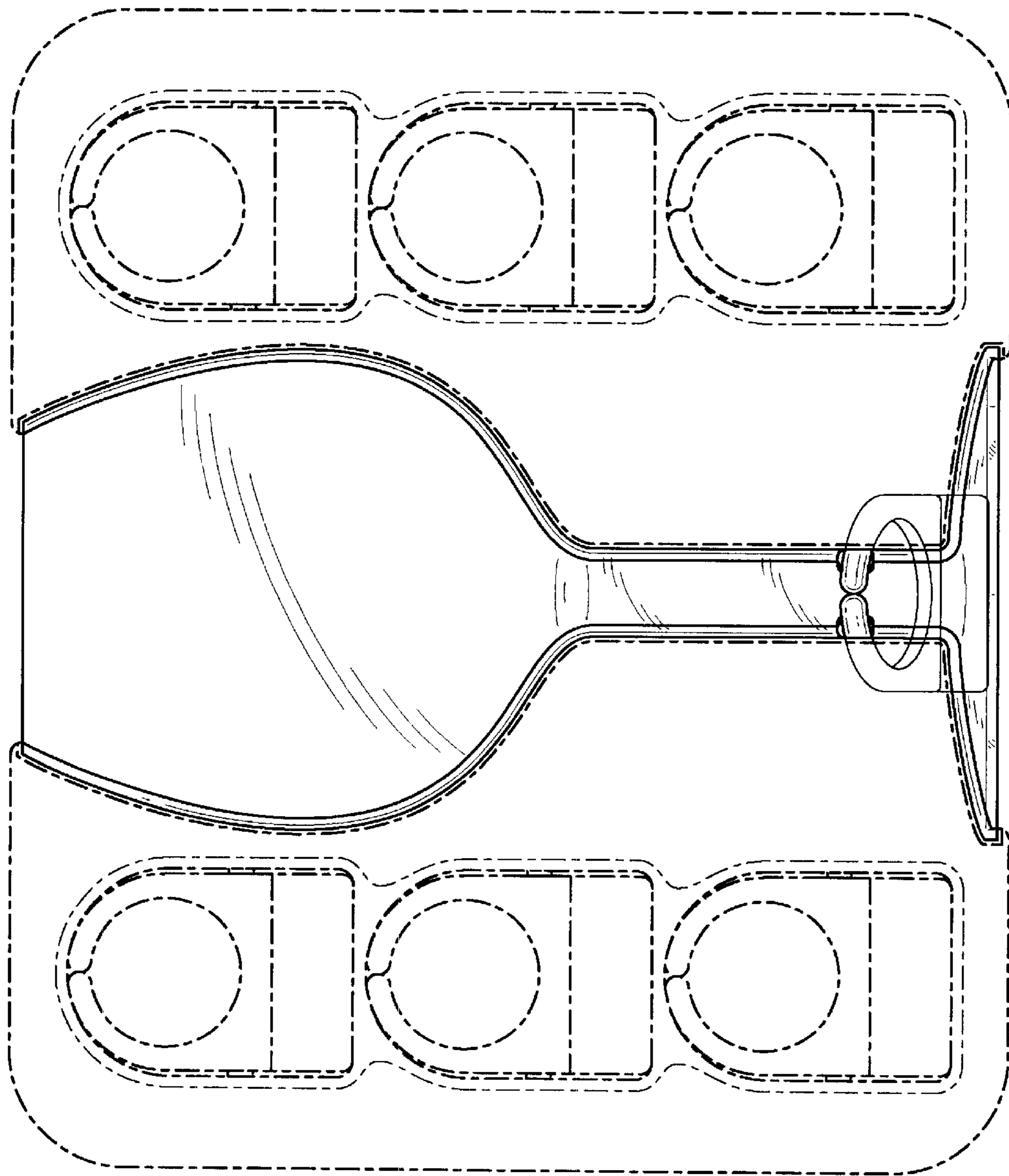


FIG. 3

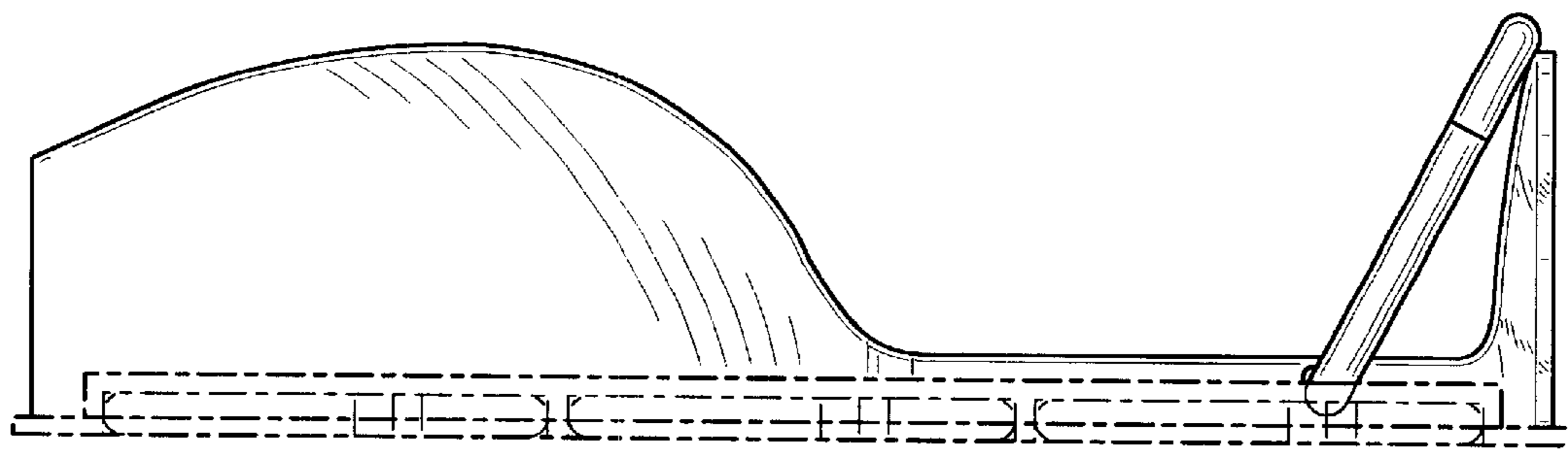


FIG. 4

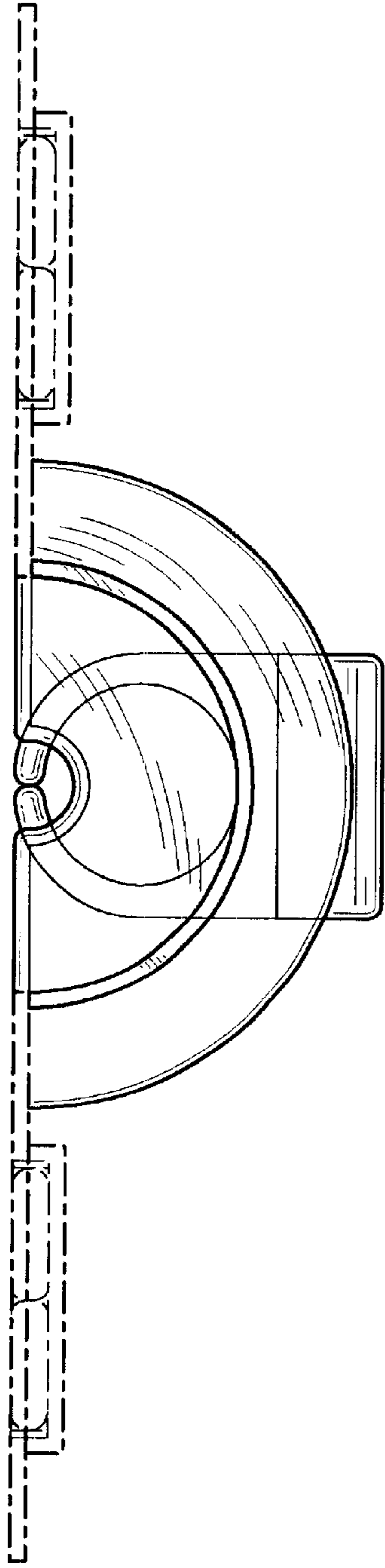


FIG. 5

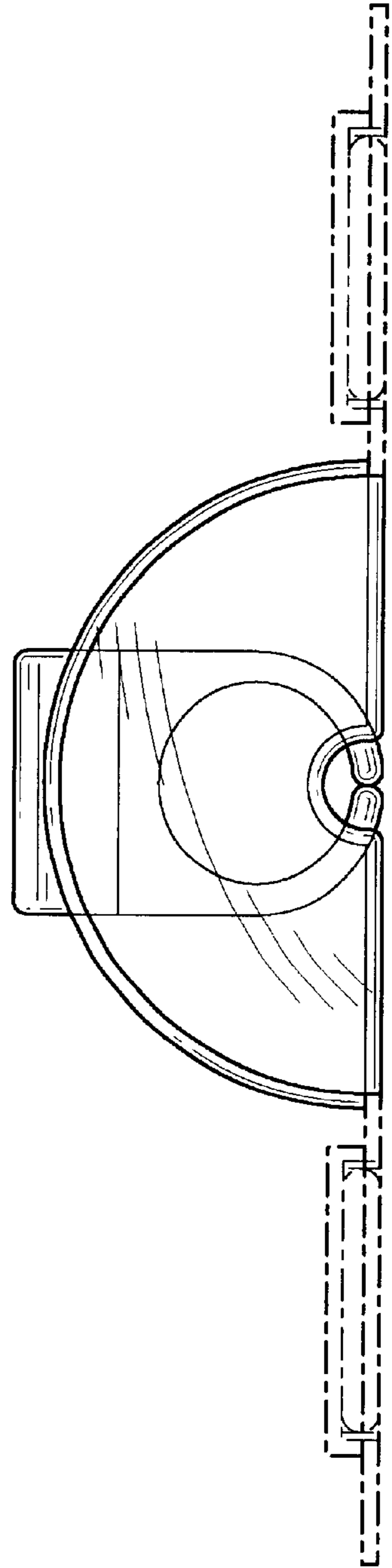


FIG. 6

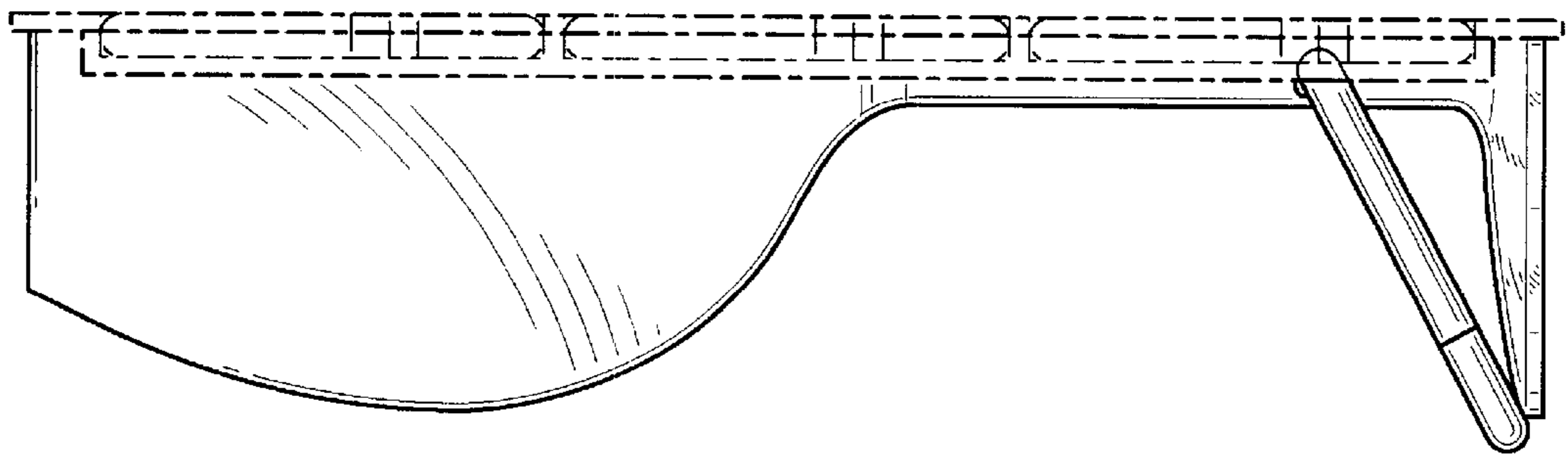


FIG. 7