



US00D482274S

(12) **United States Design Patent**
Walsh et al.

(10) **Patent No.:** **US D482,274 S**
(45) **Date of Patent:** **** Nov. 18, 2003**

(54) **CONTAINER**

(75) Inventors: **Michael J. Walsh**, Chesterfield, MO (US); **Jeffrey A. Schutte**, University City, MO (US); **Douglas W. Newman**, St. Charles, MO (US); **Mark Gilbertson**, Sauk City, WI (US); **Scott G. Manke**, Sun Prairie, WI (US); **Michall J. Brock**, Madison, WI (US)

(73) Assignee: **Masterchem Industries, Inc.**, Imperial, MO (US)

(**) Term: **14 Years**

- D215,411 S 9/1969 Anderson
- D240,391 S 7/1976 Koenigsberg
- D261,088 S 10/1981 Akimov et al.
- D266,741 S 11/1982 Cox
- D267,631 S 1/1983 Beechuk
- D269,948 S 8/1983 Janssen
- D276,890 S 12/1984 Hancher
- D277,362 S 1/1985 Epperson
- D281,579 S 12/1985 Drummond, Jr. et al.
- D284,269 S 6/1986 Goettner
- D286,024 S 10/1986 Murukurthy
- D303,084 S 8/1989 Sedam et al.
- D308,166 S 5/1990 Weckman
- D311,334 S * 10/1990 Flynn et al. D9/424

(List continued on next page.)

(21) Appl. No.: **29/171,945**

(22) Filed: **Dec. 3, 2002**

Related U.S. Application Data

(63) Continuation of application No. 29/157,503, filed on Mar. 20, 2002, now abandoned.

(51) **LOC (7) Cl.** **09-03**

(52) **U.S. Cl.** **D9/416; D9/424; D9/528**

(58) **Field of Search** D9/422-426, 432, D9/337, 414, 416, 417, 530, 549, 559, 560, 565, 571; 206/233, 81, 457, 812, 817, 822; 220/570, 601, 674, 675; 229/124, 116.1

(56) **References Cited**

U.S. PATENT DOCUMENTS

- D193,446 S 8/1962 Houghton
- D199,644 S 11/1964 Trombley et al.
- D204,171 S 3/1966 Szajna
- D214,360 S 6/1969 Huber

Primary Examiner—Prabhakar Deshmukh
(74) *Attorney, Agent, or Firm*—Foley & Lardner

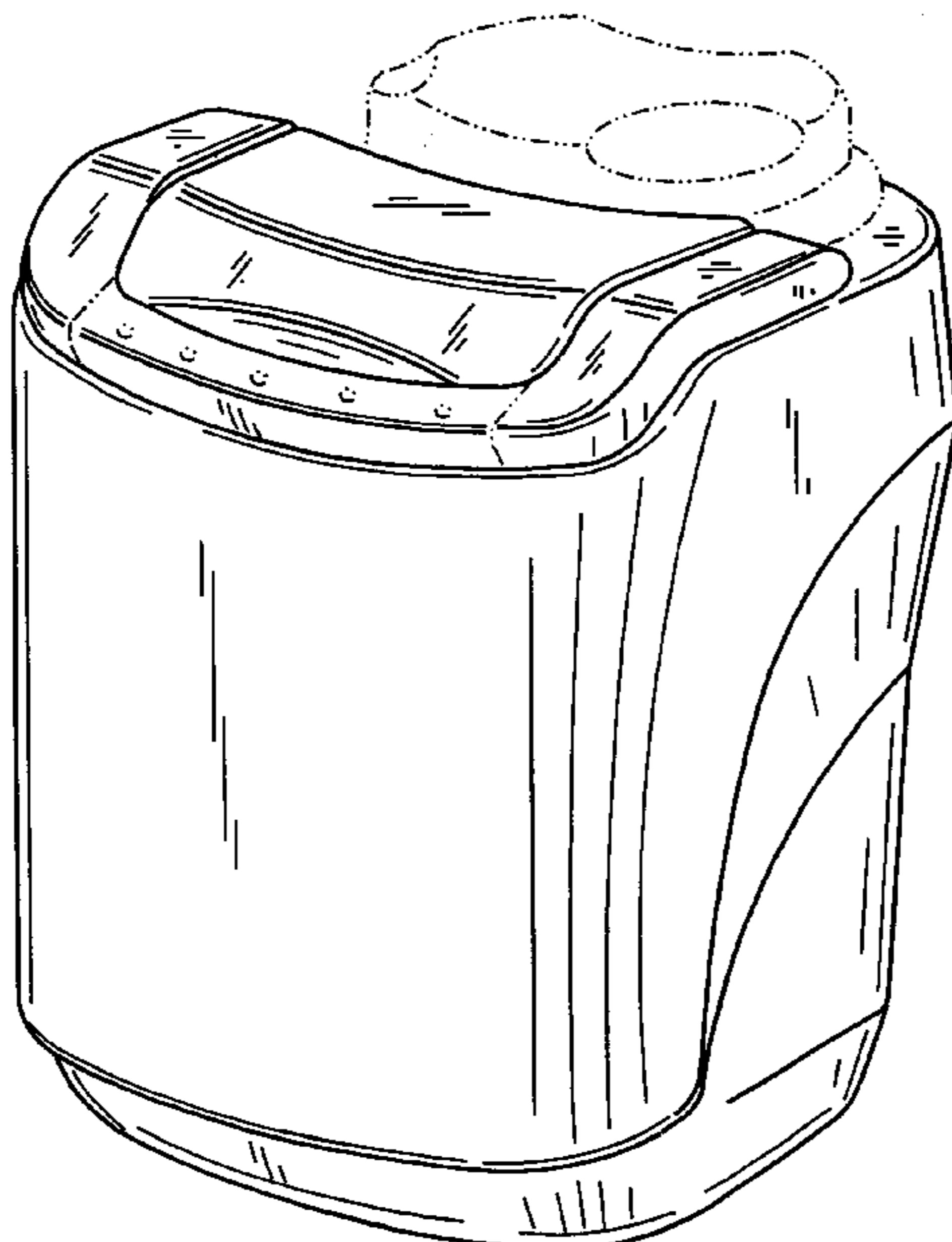
(57) **CLAIM**

The ornamental design for a container, as shown and described.

DESCRIPTION

FIG. 1 is a perspective view of a container; FIG. 2 is a front view of the design of FIG. 1; FIG. 3 is rear view of the design of FIG. 1; FIG. 4 is a right view of the design of FIG. 1, the left plan view being a mirror image; FIG. 5 is top view of the design of FIG. 1; and, FIG. 6 is a bottom view of the design of FIG. 1. The ornamental design which is claimed is shown in solid lines in the drawings. The broken lines in the drawings are for illustrative purposes only and form no part of the claimed design.

1 Claim, 4 Drawing Sheets



US D482,274 S

Page 2

U.S. PATENT DOCUMENTS

D313,935 S	1/1991	Miller		5,855,304 A	*	1/1999	Dean et al.	220/570	
5,035,321 A	*	7/1991	Denton	206/233	D405,014 S	*	2/1999	Nask et al.	D9/417
D320,345 S	10/1991	Hamly et al.		D407,973 S	*	4/1999	Miller et al.	D9/424	
D323,115 S	1/1992	Kelsey		D415,687 S	10/1999	Lai et al.			
D323,456 S	1/1992	Gonda		D422,920 S	4/2000	Tapp et al.			
D351,792 S	10/1994	Morris, Sr.		6,068,161 A	*	5/2000	Sochnlen et al.	220/675	
D352,659 S	11/1994	Nilsson et al.		D426,161 S	6/2000	Hestehave et al.			
D355,854 S	2/1995	Baron et al.		D428,817 S	8/2000	Olson et al.			
D357,417 S	4/1995	Van Keimpema et al.		D431,472 S	10/2000	Cain et al.			
D362,180 S	*	9/1995	Haines	D435,455 S	12/2000	Gans			
5,472,111 A	*	12/1995	Renfrew	D446,012 S	8/2001	Ashiwa et al.			
5,553,701 A	*	9/1996	Jarecki et al.	D455,656 S	4/2002	Gans et al.			
D374,178 S	10/1996	Valls et al.		D462,012 S	8/2002	Manderfield, Jr.			
D378,494 S	3/1997	Miller		6,530,500 B2	3/2003	Bravo et al.			
D393,520 S	4/1998	Christy		2002/0195471 A1	12/2002	Nottingham et al.			
D396,009 S	7/1998	Reubens							

* cited by examiner

FIG. 1

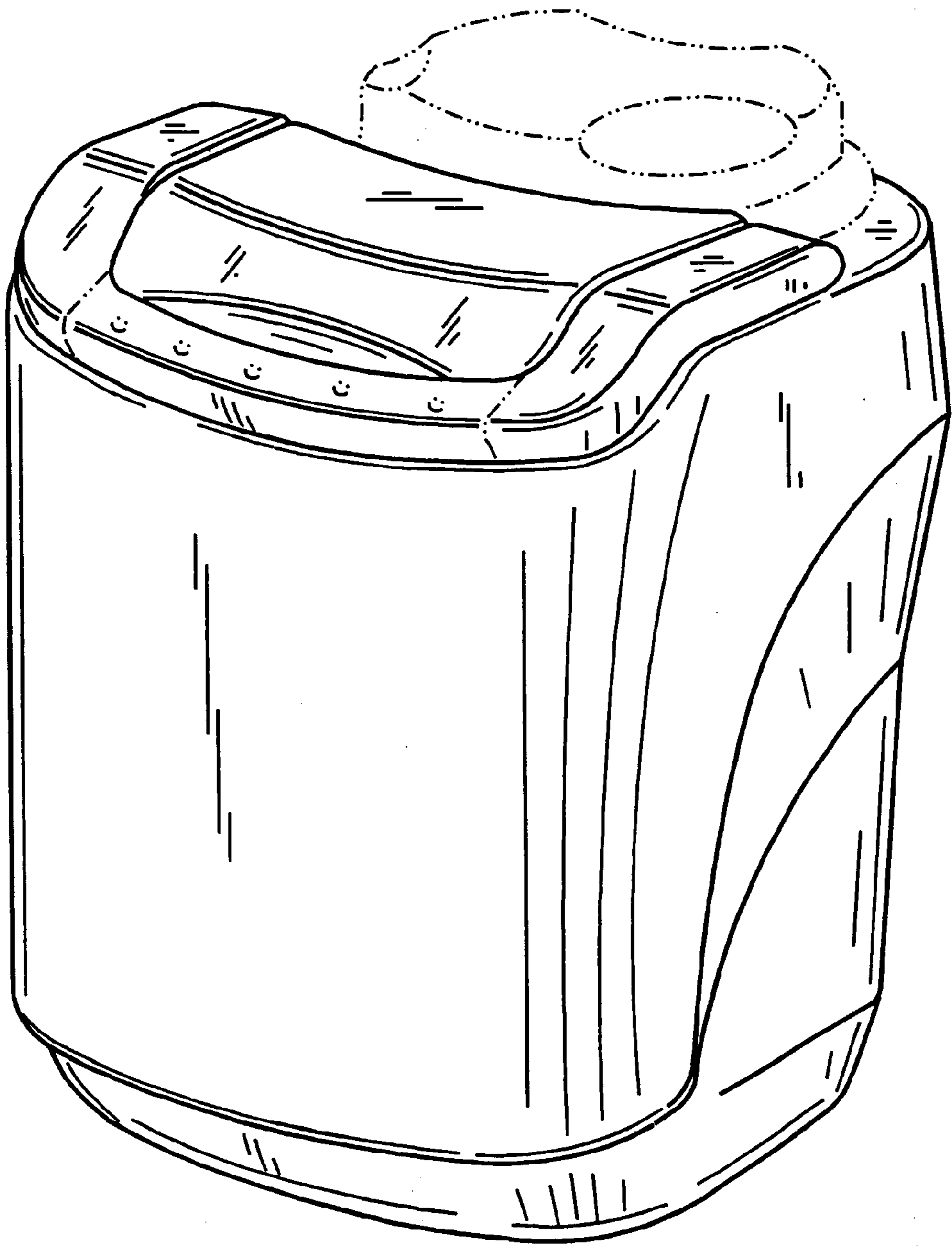


FIG. 2

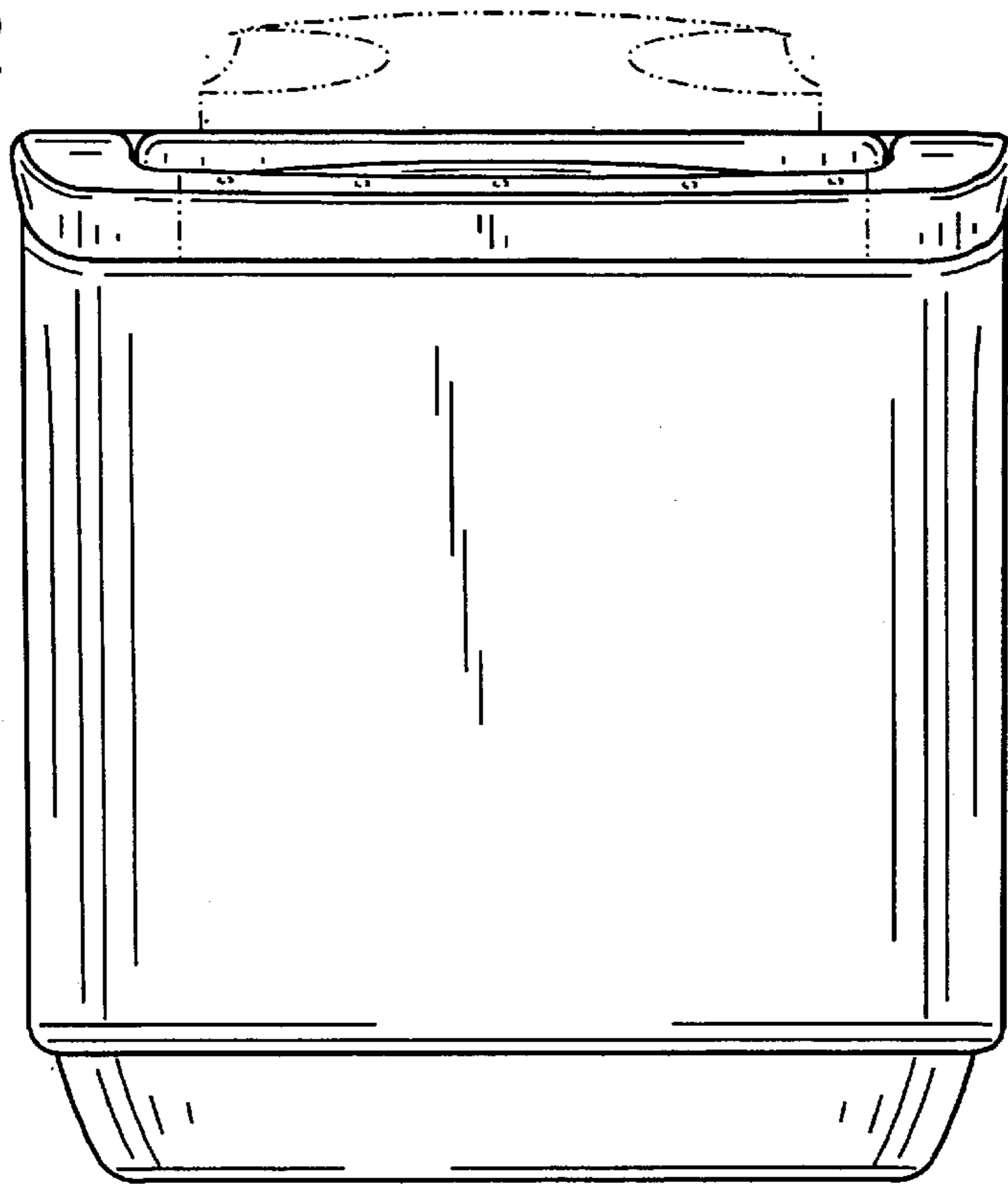


FIG. 3

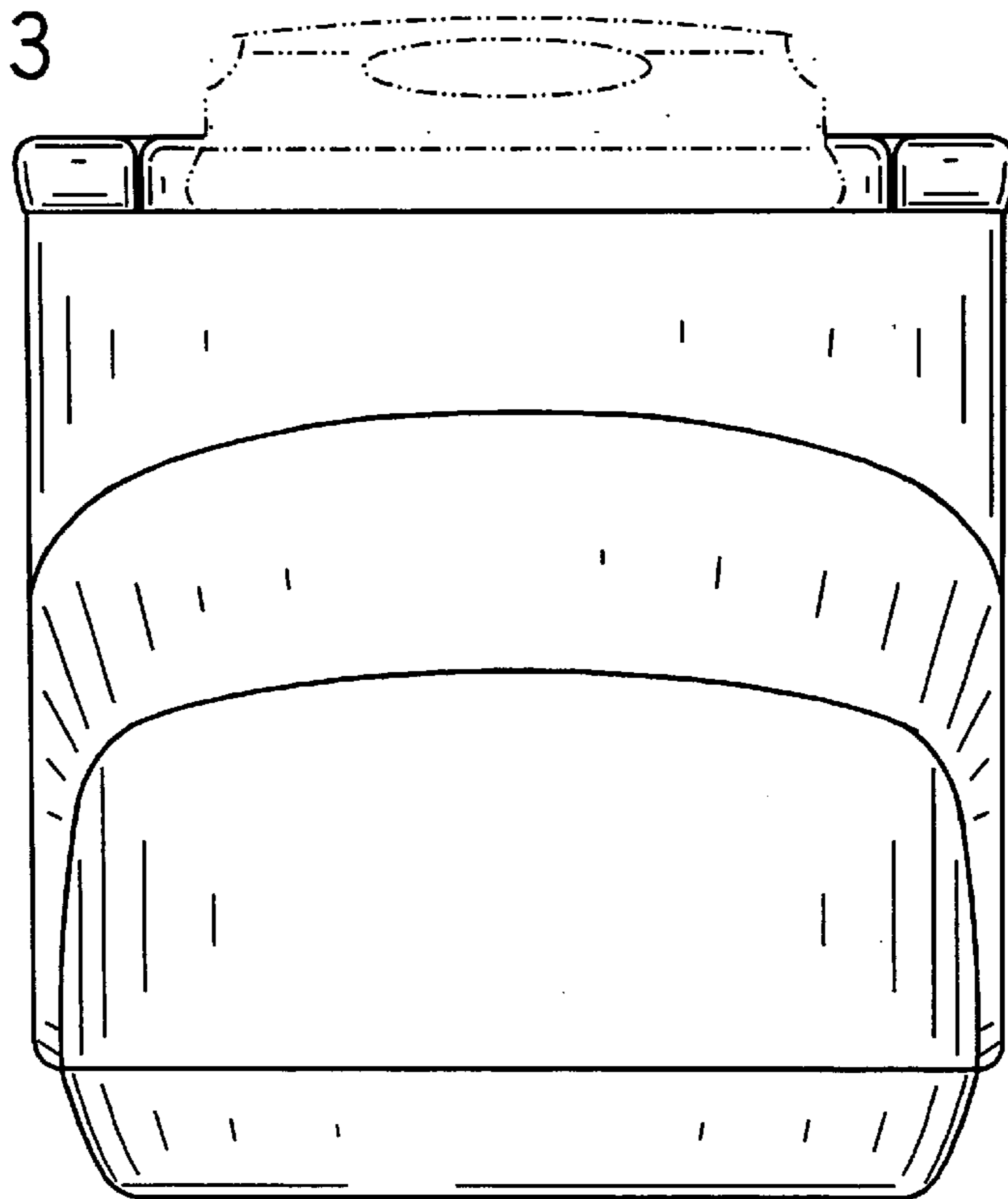


FIG. 4

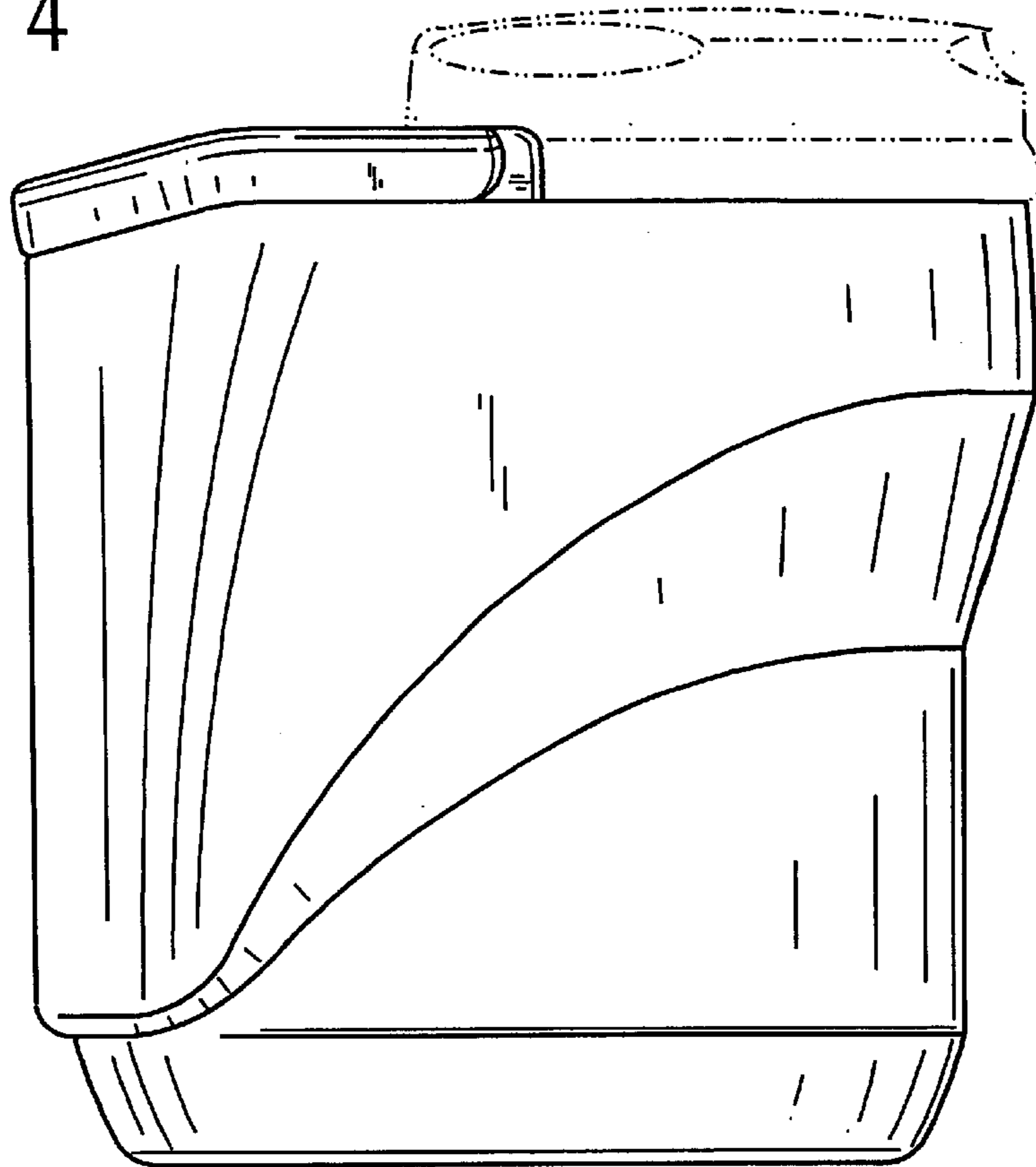


FIG. 5

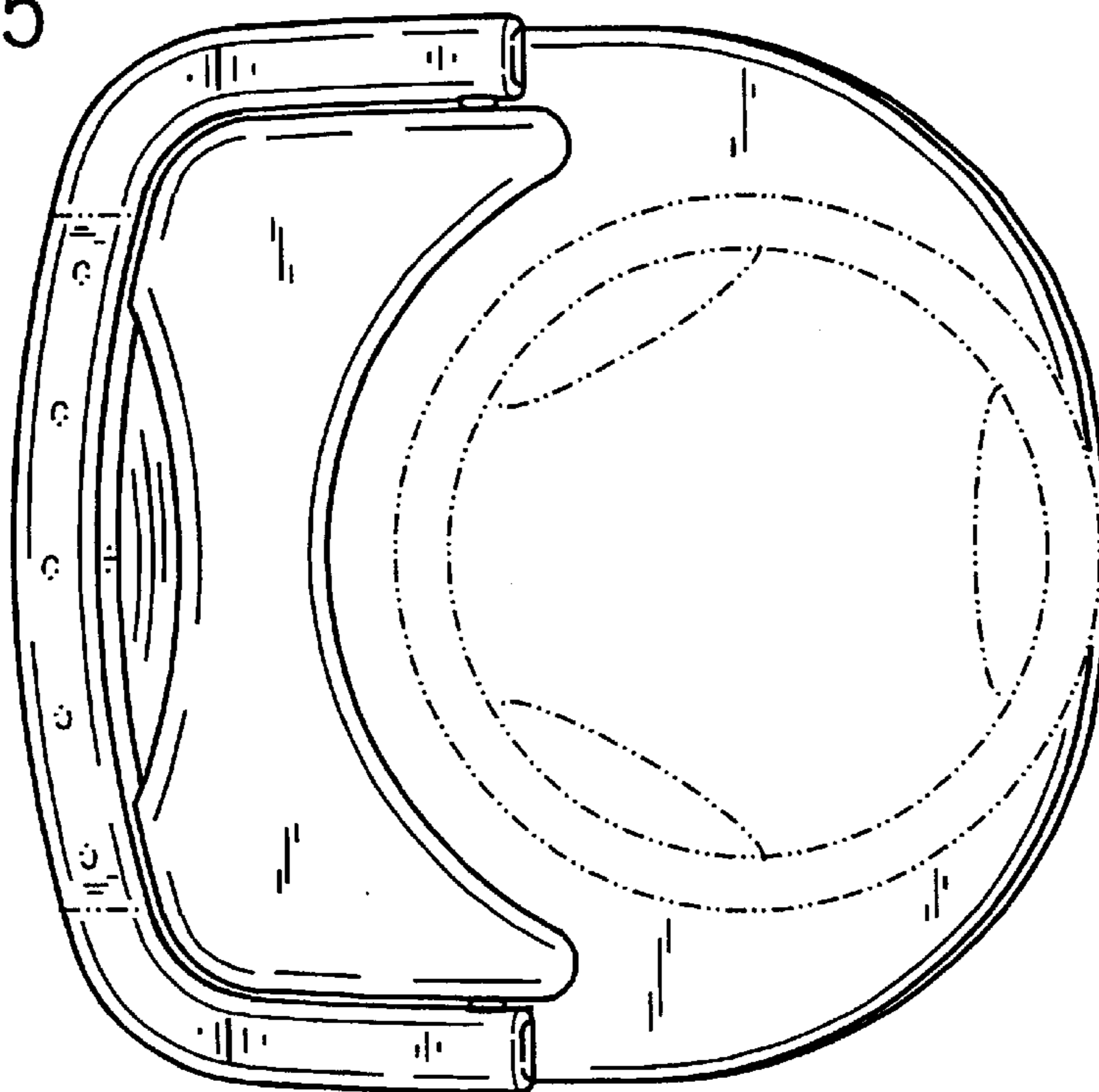


FIG. 6

