



US00D482273S

(12) **United States Design Patent**  
**Humphrey**

(10) **Patent No.:** **US D482,273 S**

(45) **Date of Patent:** **\*\* Nov. 18, 2003**

(54) **PACKAGE**

(75) Inventor: **Neill W. Humphrey**, El Dorado Hills, CA (US)

(73) Assignee: **Trade Source International**, El Dorado Hills, CA (US)

(\*\*) Term: **14 Years**

(21) Appl. No.: **29/179,618**

(22) Filed: **Apr. 10, 2003**

4,702,374 A	*	10/1987	Kelner	.....	206/462
4,781,289 A	*	11/1988	Perkins	.....	206/461
5,890,593 A	*	4/1999	Humphrey	.....	206/471
D418,408 S	*	1/2000	Humphrey	.....	D9/415
D449,519 S	*	10/2001	Humphrey	.....	D9/415
D462,265 S	*	9/2002	Humphrey	.....	D9/415
D470,410 S	*	2/2003	Humphrey	.....	D9/415

\* cited by examiner

**Related U.S. Application Data**

(62) Division of application No. 29/175,834, filed on Feb. 10, 2003, which is a division of application No. 29/170,842, filed on Nov. 12, 2002, now Pat. No. Des. 474,400, which is a division of application No. 29/162,130, filed on Jun. 10, 2002, now Pat. No. Des. 470,410, which is a division of application No. 29/137,251, filed on Feb. 15, 2001, now Pat. No. Des. 466,009.

(51) **LOC (7) Cl.** ..... **09-03**

(52) **U.S. Cl.** ..... **D9/415; D9/418**

(58) **Field of Search** ..... **D9/415, 414, 418, D9/337, 341; 206/461-471, 495, 775-783, 765, 320**

(56) **References Cited**

**U.S. PATENT DOCUMENTS**

4,099,612 A \* 7/1978 Hanson ..... 206/45.19

*Primary Examiner*—Prabhakar Deshmukh  
(74) *Attorney, Agent, or Firm*—Louis J. Bovasso; Greenberg Traurig LLP

(57) **CLAIM**

The ornamental design for a package, as shown and described.

**DESCRIPTION**

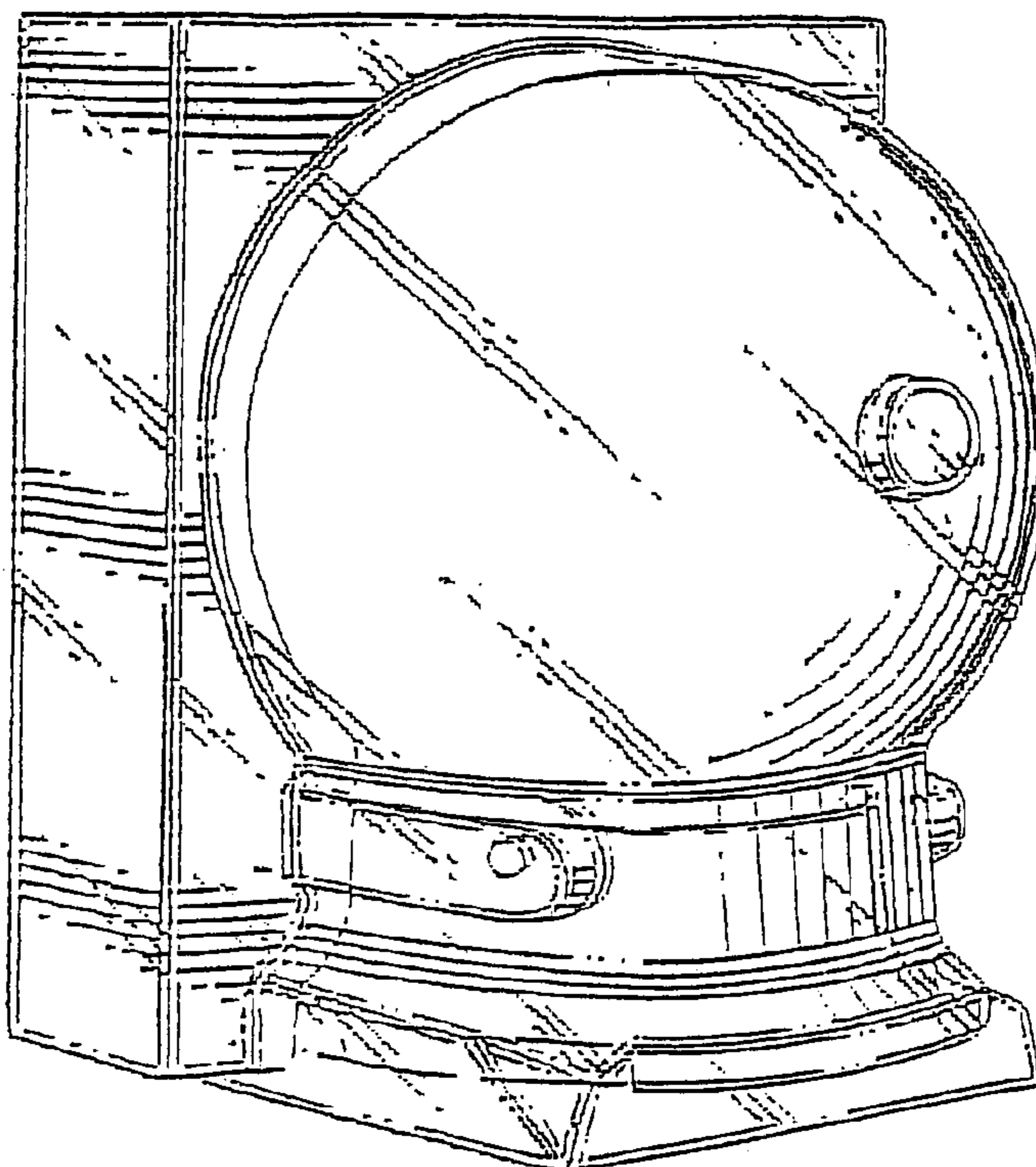
FIG. 1 is a front perspective view of a package showing my new design;

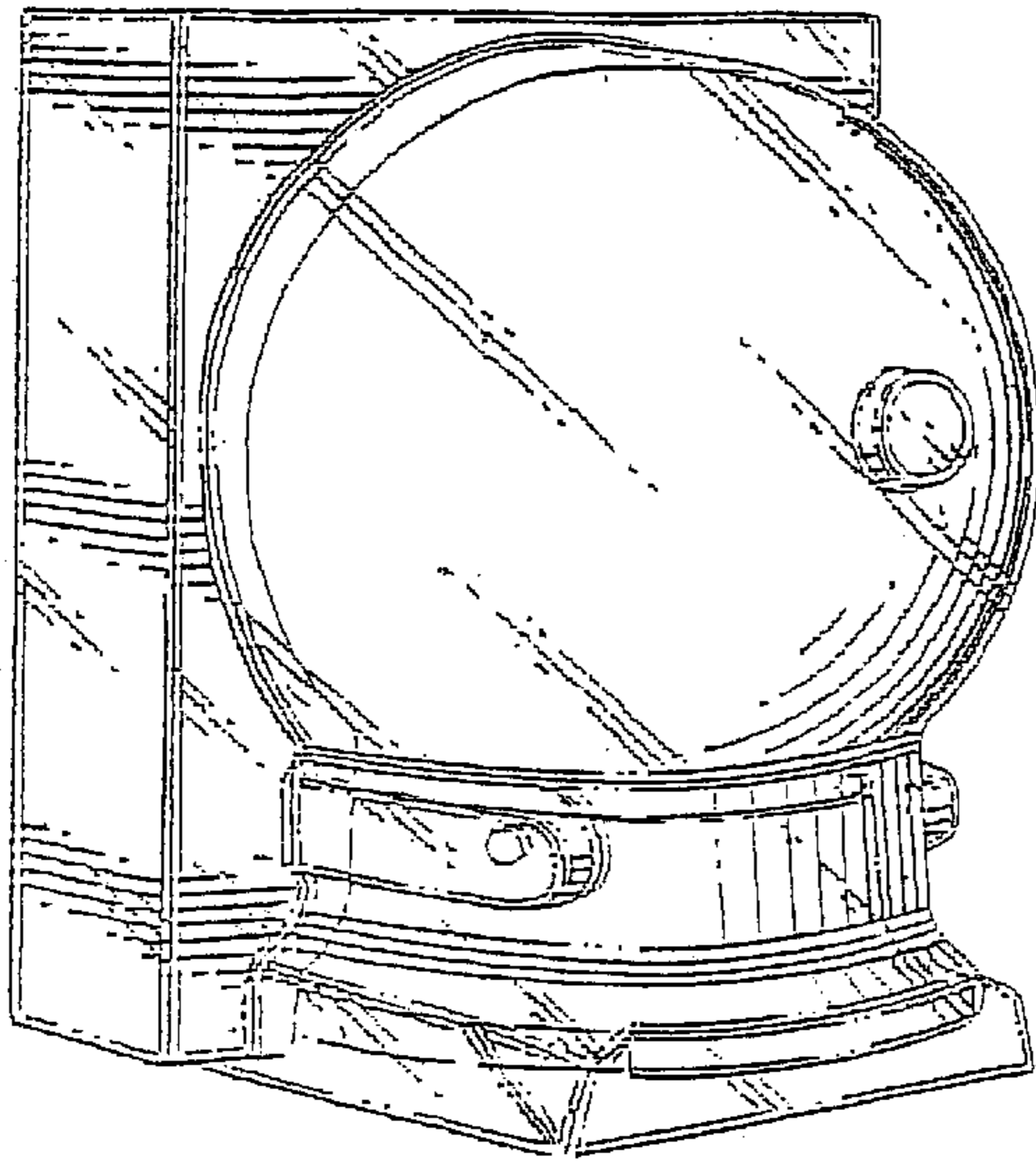
FIG. 2 is a right side elevational view thereof, the left side elevational view being a mirror image thereof;

FIG. 3 is a top plan view thereof; and,

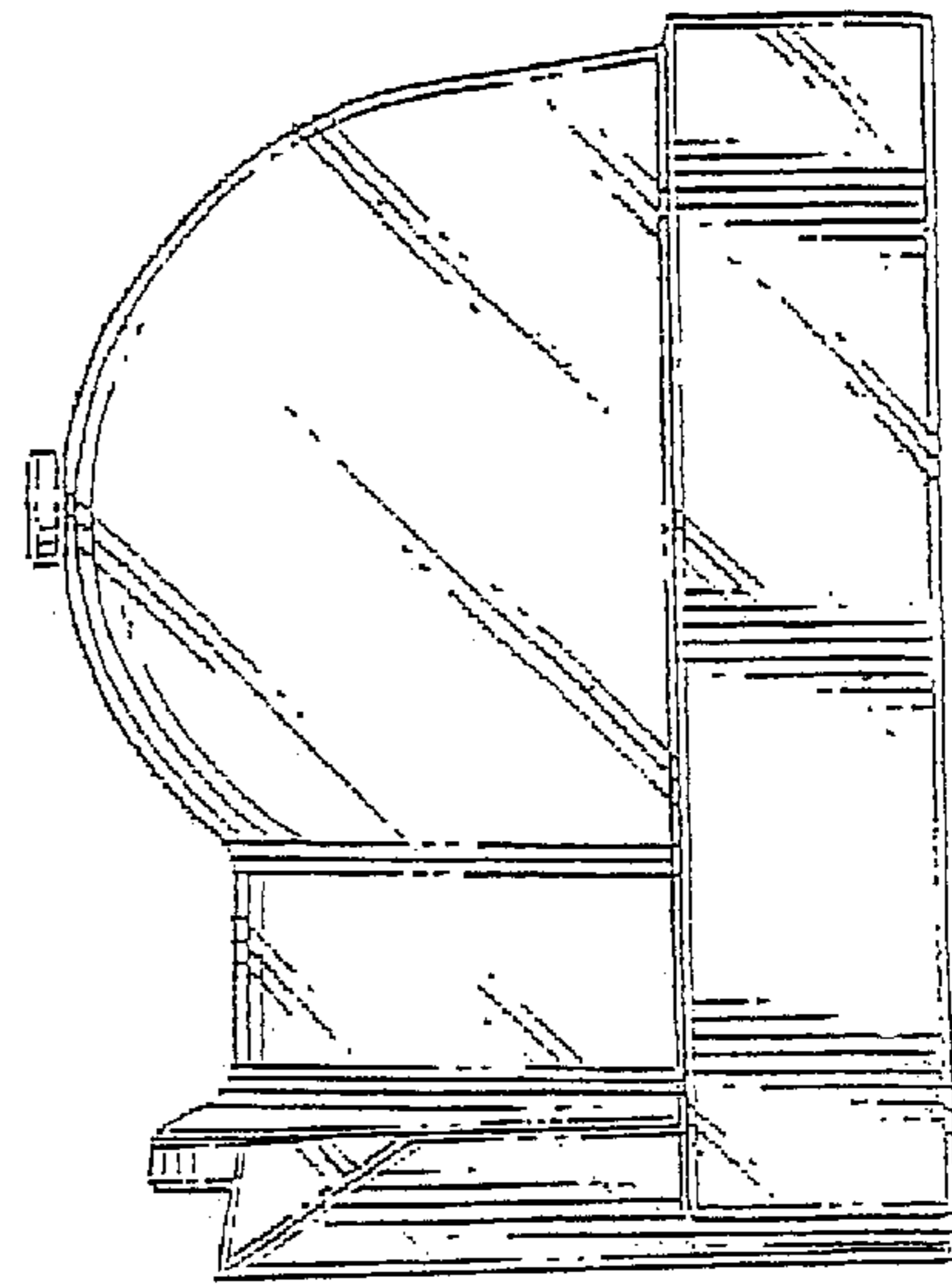
FIG. 4 is a bottom plan view thereof.

**1 Claim, 1 Drawing Sheet**



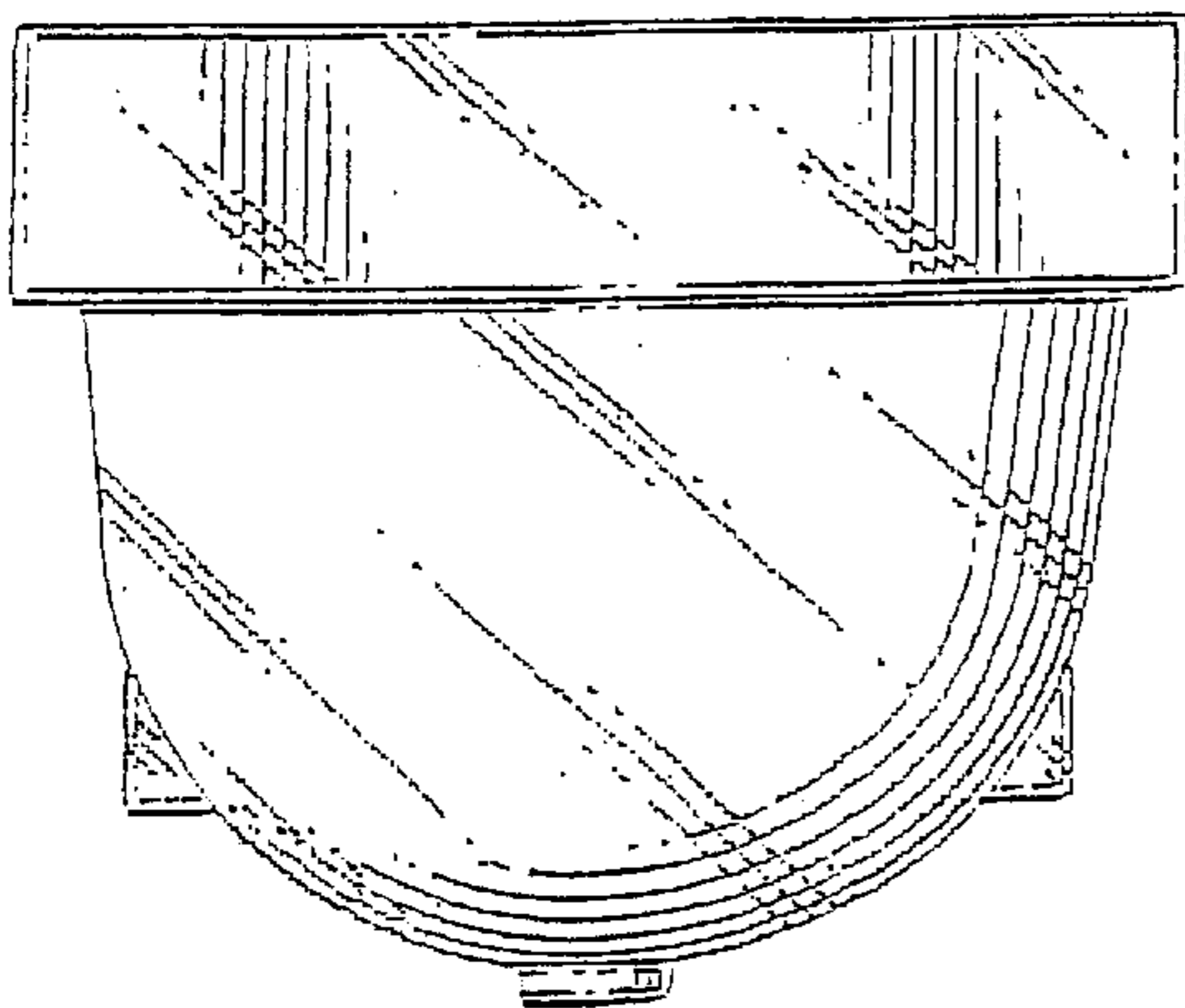


*FIG. 1*



*FIG. 2*

*FIG. 3*



*FIG. 4*

