



US00D482270S

(12) **United States Design Patent**  
**Derilo**

(10) **Patent No.:** **US D482,270 S**

(45) **Date of Patent:** **\*\* Nov. 18, 2003**

(54) **COMBINATION PRE-CLEANER AND  
RETAINER NUT FOR VEHICLE AIR FILTER  
COVER**

(76) **Inventor:** **Vincent C. Derilo**, 242 Margarita Ave.,  
Palo Alto, CA (US) 94306

(\*\*) **Term:** **14 Years**

(21) **Appl. No.:** **29/174,480**

(22) **Filed:** **Jan. 21, 2003**

(51) **LOC (7) Cl.** ..... **08-08**

(52) **U.S. Cl.** ..... **D8/397**

(58) **Field of Search** ..... D8/382, 397, 399;  
411/81, 98, 103, 106, 145, 146, 172, 179,  
197, 204, 248, 337, 338, 368, 371.2, 372.5,  
418, 427, 429, 430, 431, 432, 436, 437,  
500, 511, 512, 514, 531, 532, 533, 535,  
536, 537, 538, 542, 544, 918, 928; 70/229;  
301/35.623, 111.01; D15/5; D23/365

(56) **References Cited**

**U.S. PATENT DOCUMENTS**

1,826,665	A	*	10/1931	King	.....	411/918
2,649,633	A	*	8/1953	Purinton	.....	411/338
2,812,900	A		11/1957	Matthews		
D218,226	S	*	8/1970	Painaud	.....	D8/397
D248,824	S		8/1978	Imai et al.		
D249,227	S		9/1978	Ismert, III et al.		
D257,321	S	*	10/1980	Voorhees, Jr.	.....	D8/382
4,788,807	A	*	12/1988	Whitman	.....	411/531

5,199,838	A	*	4/1993	Luke et al.	.....	D8/397
5,454,675	A		10/1995	DeHaitre		
5,477,819	A		12/1995	Kopec		
5,769,144	A	*	6/1998	Carter	.....	411/338
5,904,459	A	*	5/1999	Prathap et al.	.....	411/437
D462,699	S	*	9/2002	Johnson et al.	.....	D15/5

\* cited by examiner

*Primary Examiner*—Doris V. Coles

*Assistant Examiner*—T. Chase Nelson

(74) *Attorney, Agent, or Firm*—Donald R. Schoonover

(57) **CLAIM**

The ornamental design for a combination pre-cleaner and retainer nut for vehicle air filter cover, as shown and described.

**DESCRIPTION**

FIG. 1 is a top and side perspective view of a combination pre-cleaner and retainer nut for vehicle air filter cover showing my new design;

FIG. 2 is a side elevational view thereof, all other side elevational views being identical thereto;

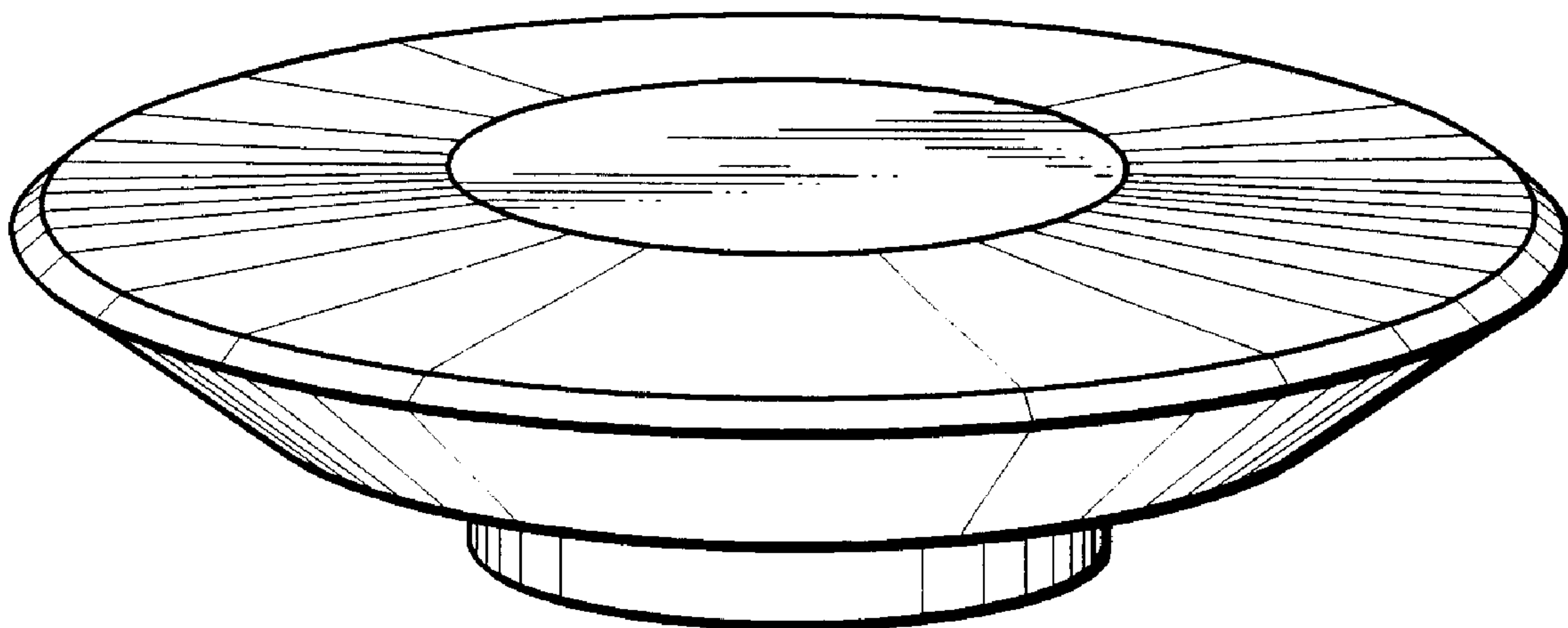
FIG. 3 is a top plan view thereof;

FIG. 4 is a bottom plan view thereof;

FIG. 5 is a bottom and side perspective view thereof; and,

FIG. 6 is a reduced perspective view showing the combination pre-cleaner and retainer nut for vehicle air filter cover in use; the broken lines depict environmental structure for illustrative purposes only and form no part of the claimed design.

**1 Claim, 3 Drawing Sheets**



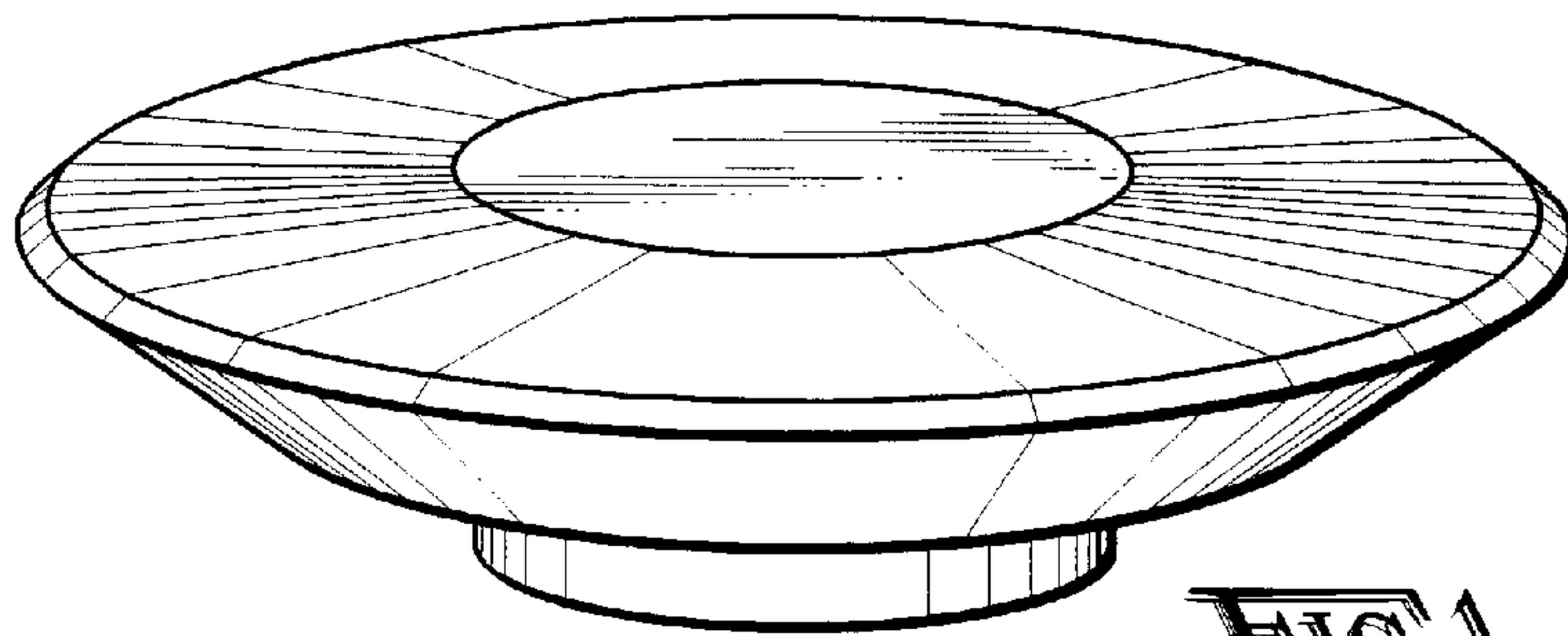


FIG. 1

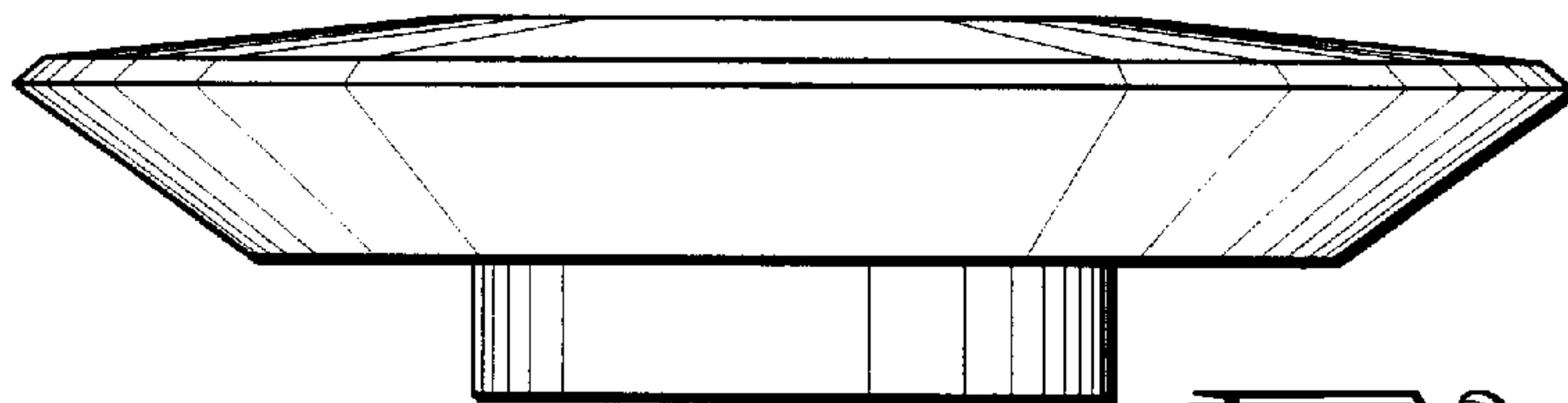


FIG. 2

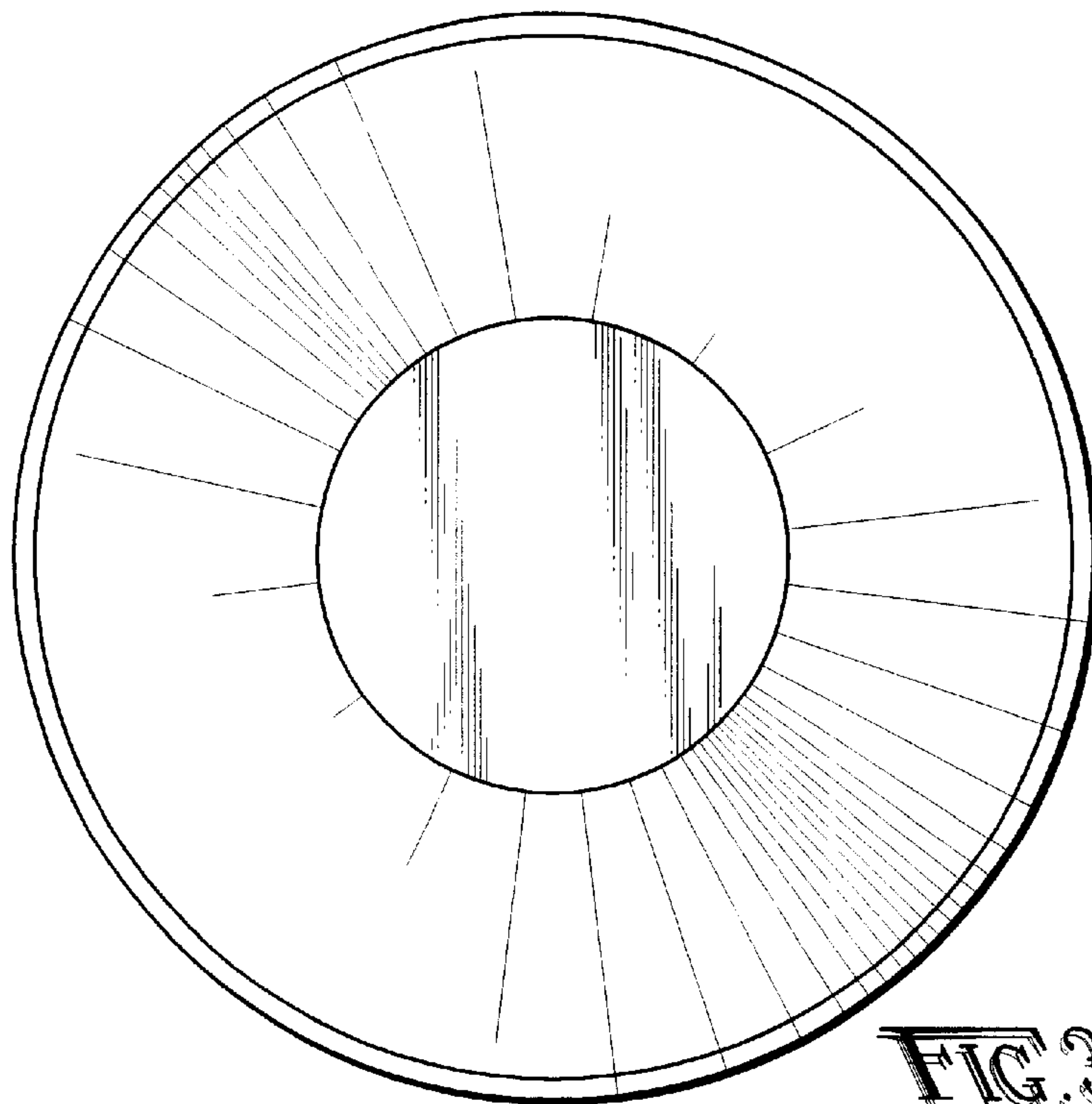


FIG. 3

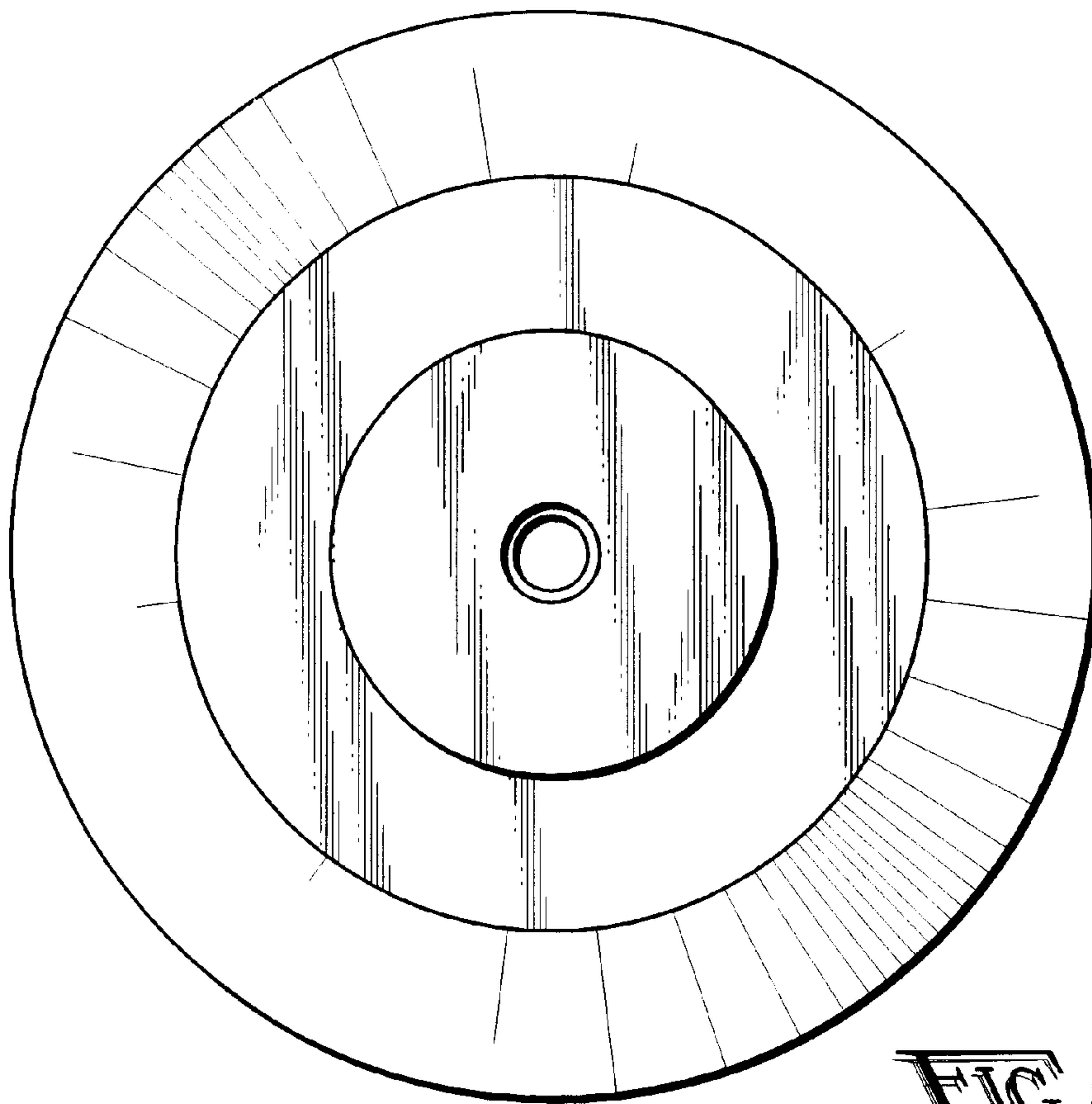


FIG. 4

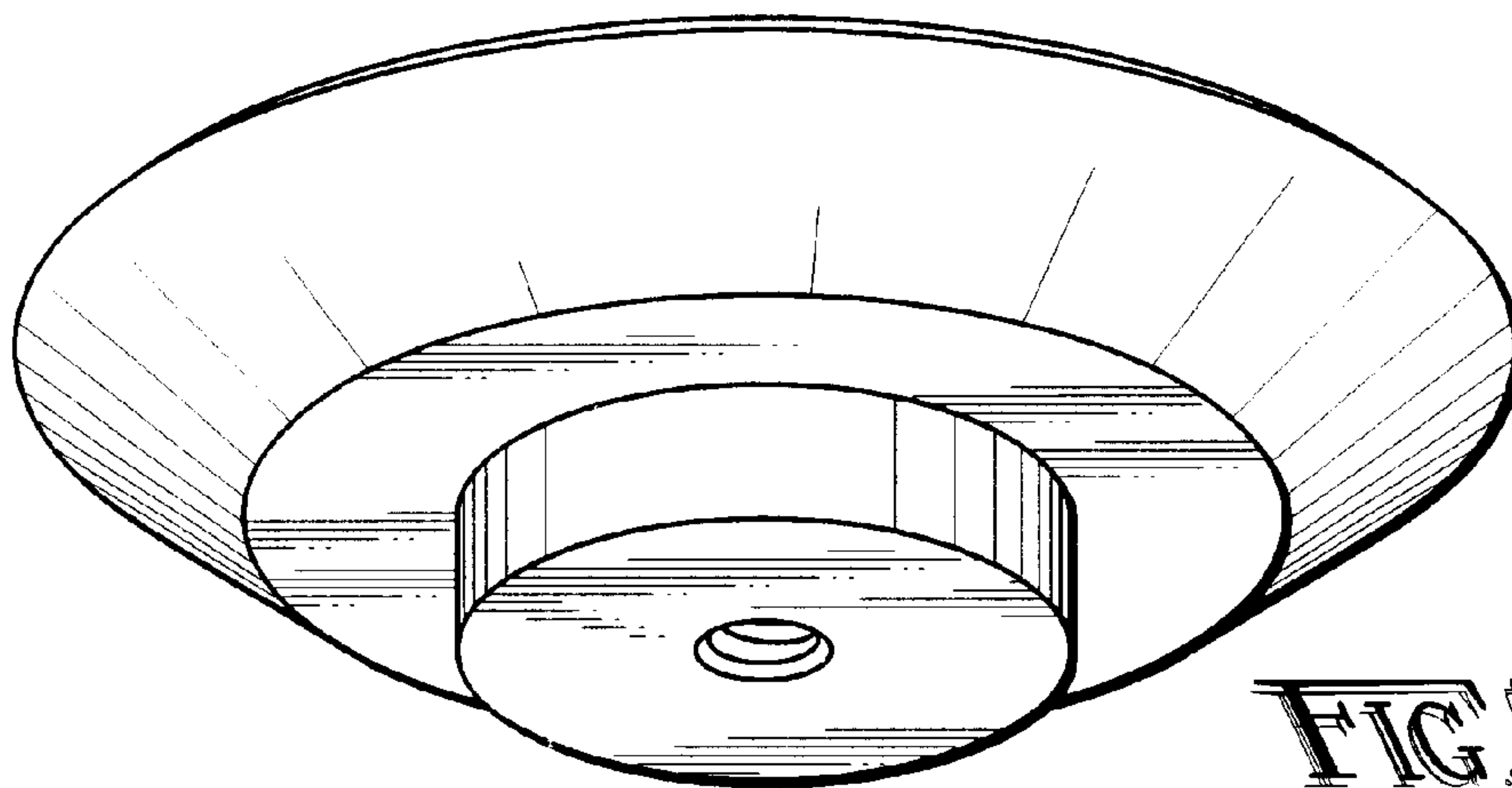


FIG. 5

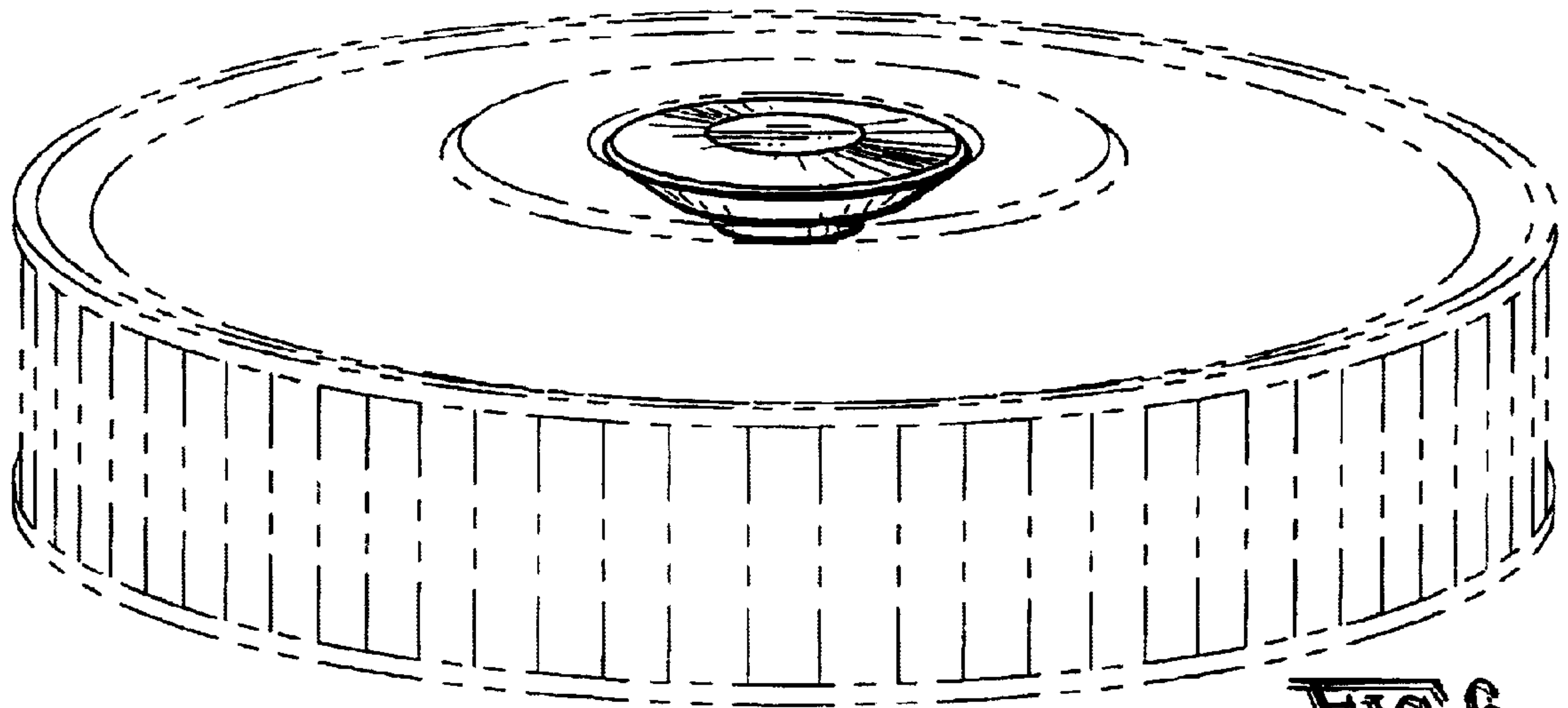


FIG. 6