



US00D482268S

(12) **United States Design Patent**
Kushner

(10) **Patent No.:** **US D482,268 S**

(45) **Date of Patent:** **** Nov. 18, 2003**

(54) **FOOTBALL VISOR CLIP**

6,210,003 B1 * 4/2001 Chan 24/3.3
D462,166 S * 9/2002 Chan D3/219

(76) Inventor: **Robert G. Kushner**, 245-251 Hennessy Road, 22nd Floor, Success Commercial Building, Wan Chai (HK)

* cited by examiner

(**) Term: **14 Years**

Primary Examiner—Louis S. Zarfes
Assistant Examiner—Deanne Levy
(74) *Attorney, Agent, or Firm*—Paul J. Sutton

(21) Appl. No.: **29/155,218**

(57) **CLAIM**

(22) Filed: **Feb. 8, 2002**

The ornamental design for a football visor clip, as shown and described.

(51) **LOC (7) Cl.** **08-08**

(52) **U.S. Cl.** **D8/394**; D3/219; D12/417

(58) **Field of Search** D8/394, 395; D21/712; D12/417; 248/902, 309.1, 316.1, 316.5; D3/219, 266, 265; 24/489, 499, 3.3, 3.7, 3.8, 3.11, 3.12, 326, 336; 224/269, 904

DESCRIPTION

(56) **References Cited**

U.S. PATENT DOCUMENTS

- 3,914,828 A * 10/1975 Noda 24/489
- D355,975 S * 3/1995 Patoskie et al. D21/712
- 5,890,638 A * 4/1999 Woloshen 224/269
- 5,975,476 A * 11/1999 Mancinelli 248/902
- 5,979,019 A * 11/1999 Johnson 24/3.11
- D437,113 S * 2/2001 Koehler D3/219

FIG. 1 is a front perspective view of a football visor clip position showing my new design;
FIG. 2 is a rear perspective view thereof;
FIG. 3 is a top plan view thereof;
FIG. 4 is a left side elevational view thereof;
FIG. 5 is a right side elevational view thereof;
FIG. 6 is a rear elevational view thereof; and,
FIG. 7 is a bottom plan view thereof.

The broken line showing of the wire clip portion is for illustrative purposes only and forms no part of the claimed design.

1 Claim, 3 Drawing Sheets

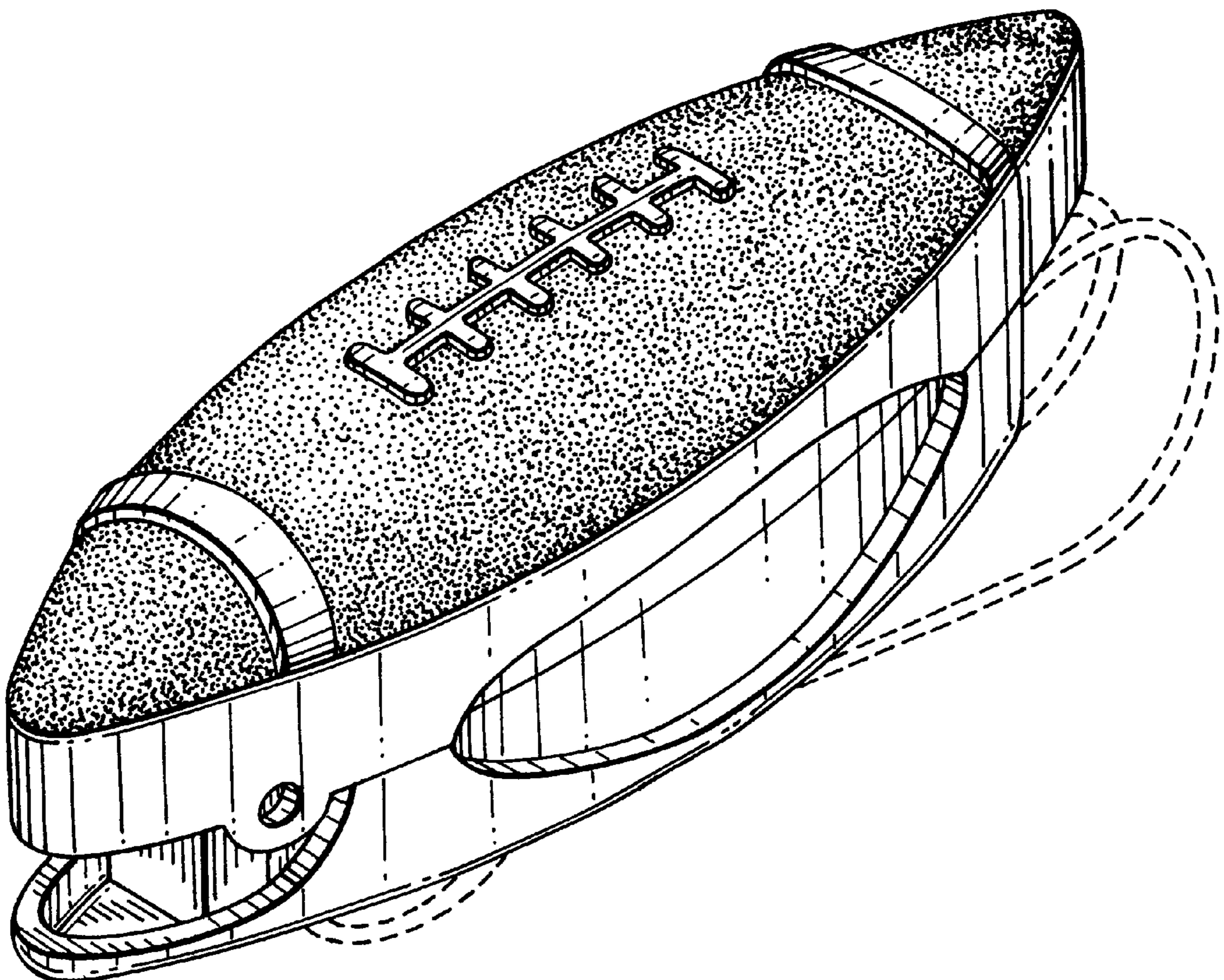


FIG. 1

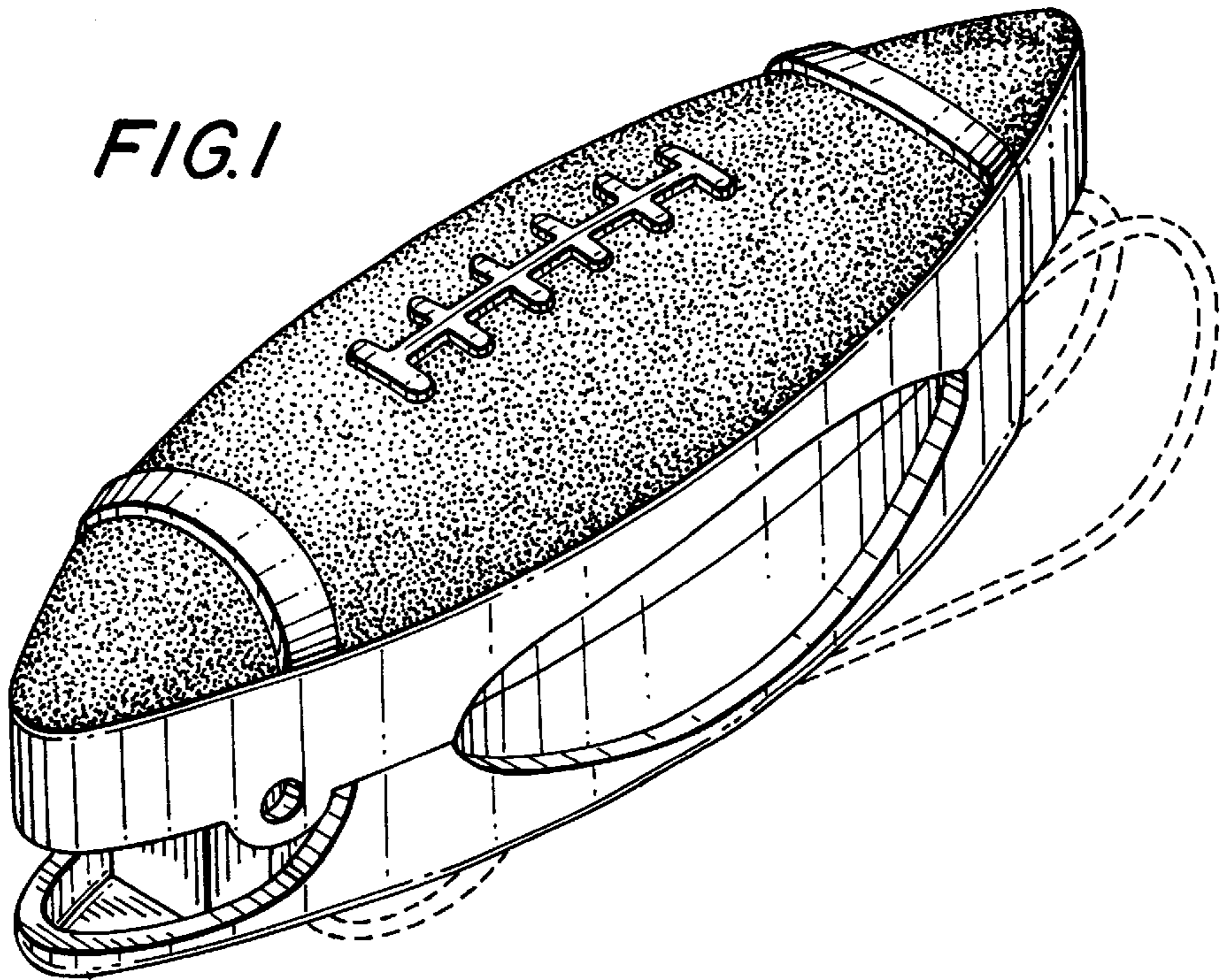


FIG. 2

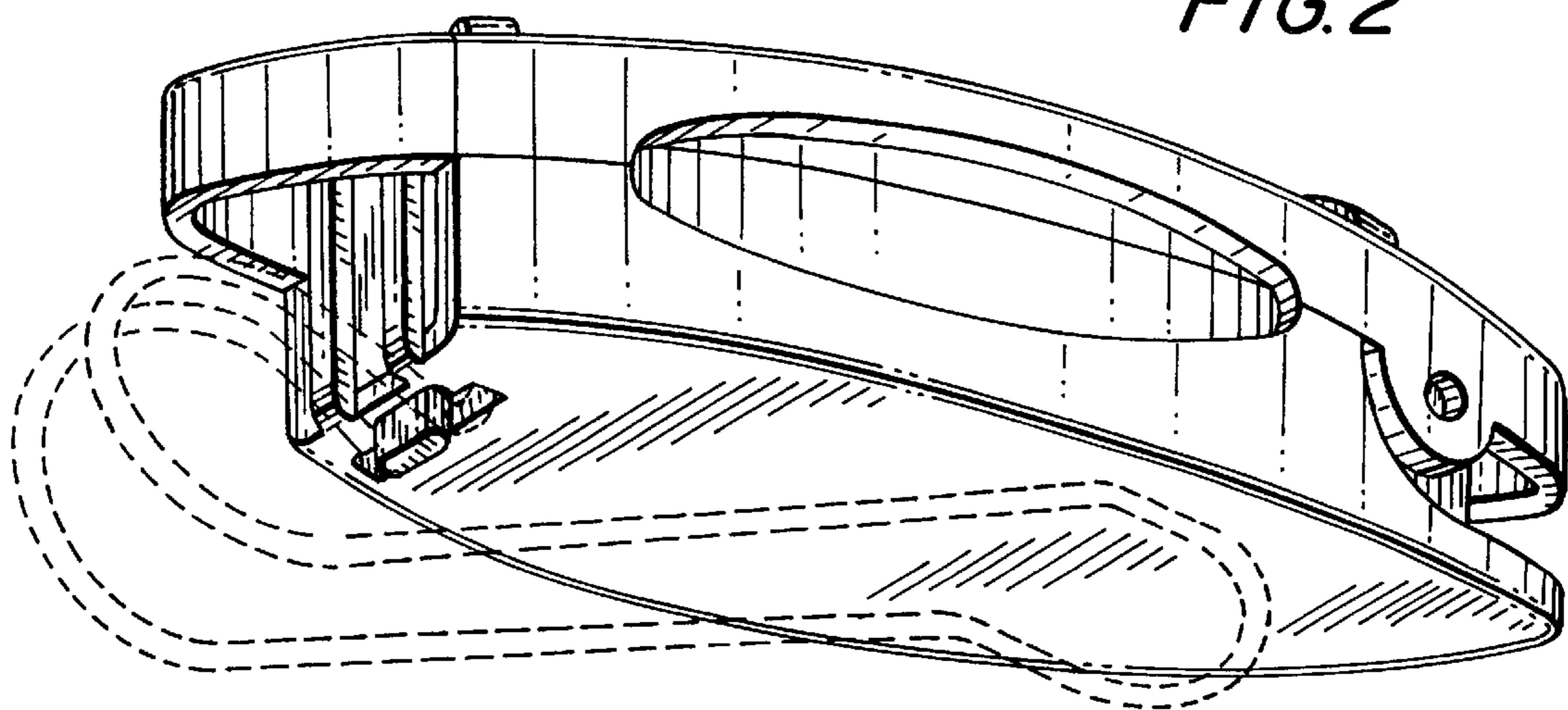


FIG.3

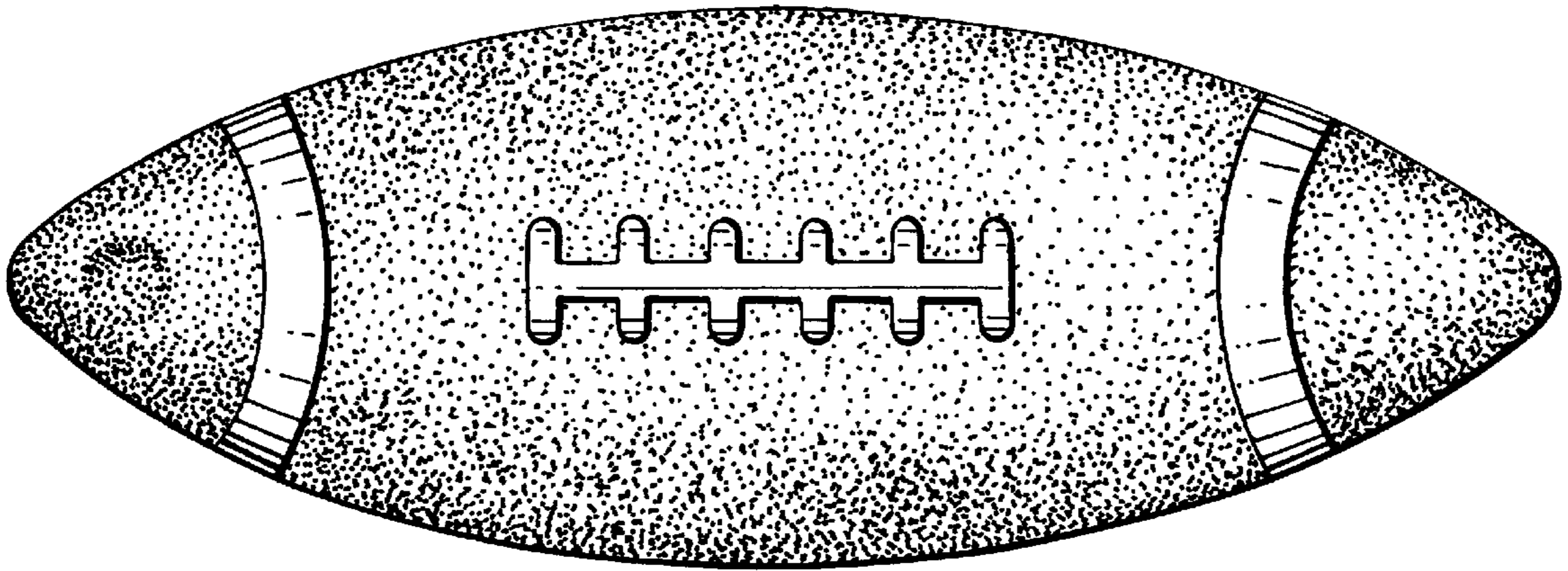


FIG.4

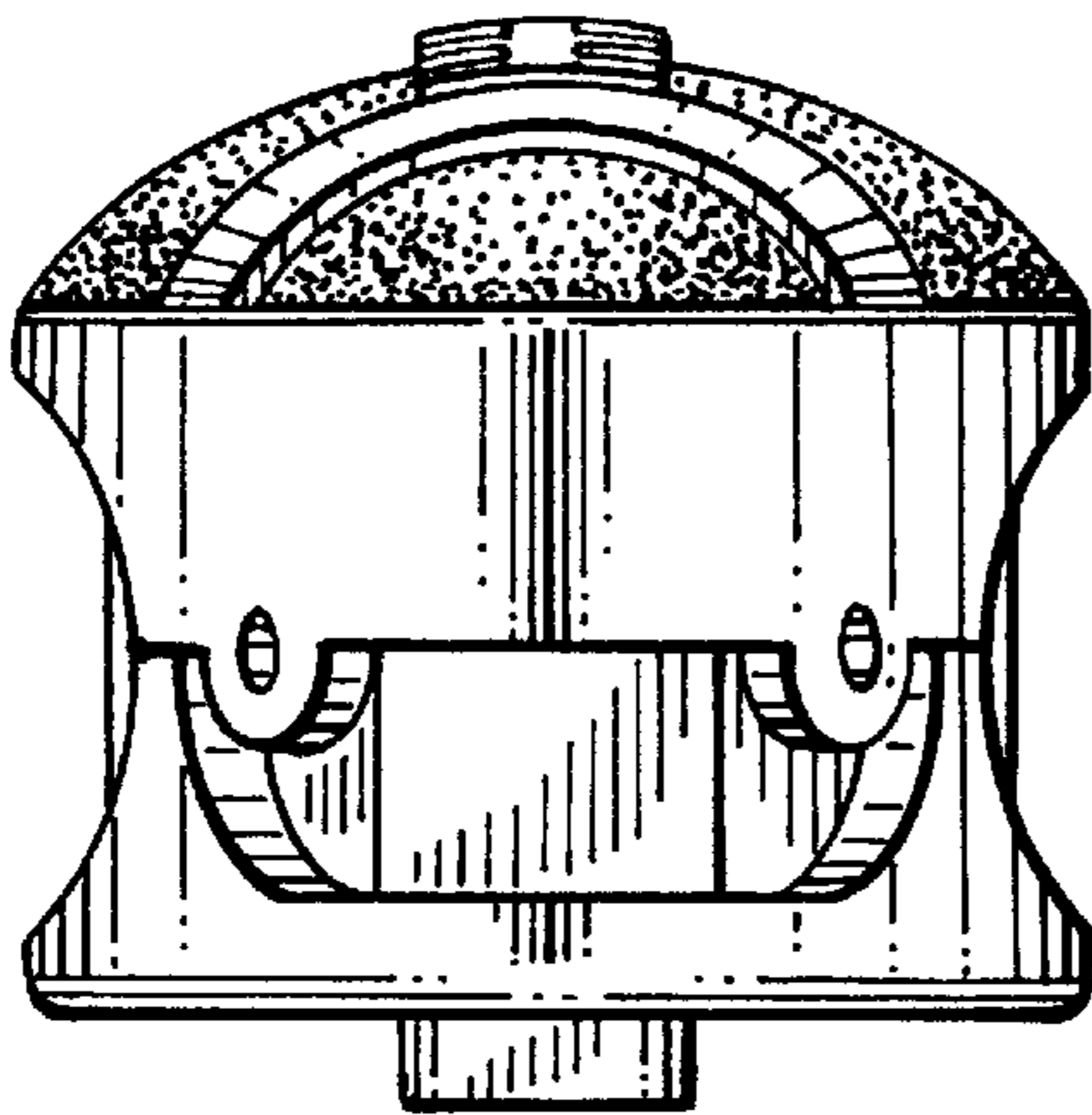


FIG.5

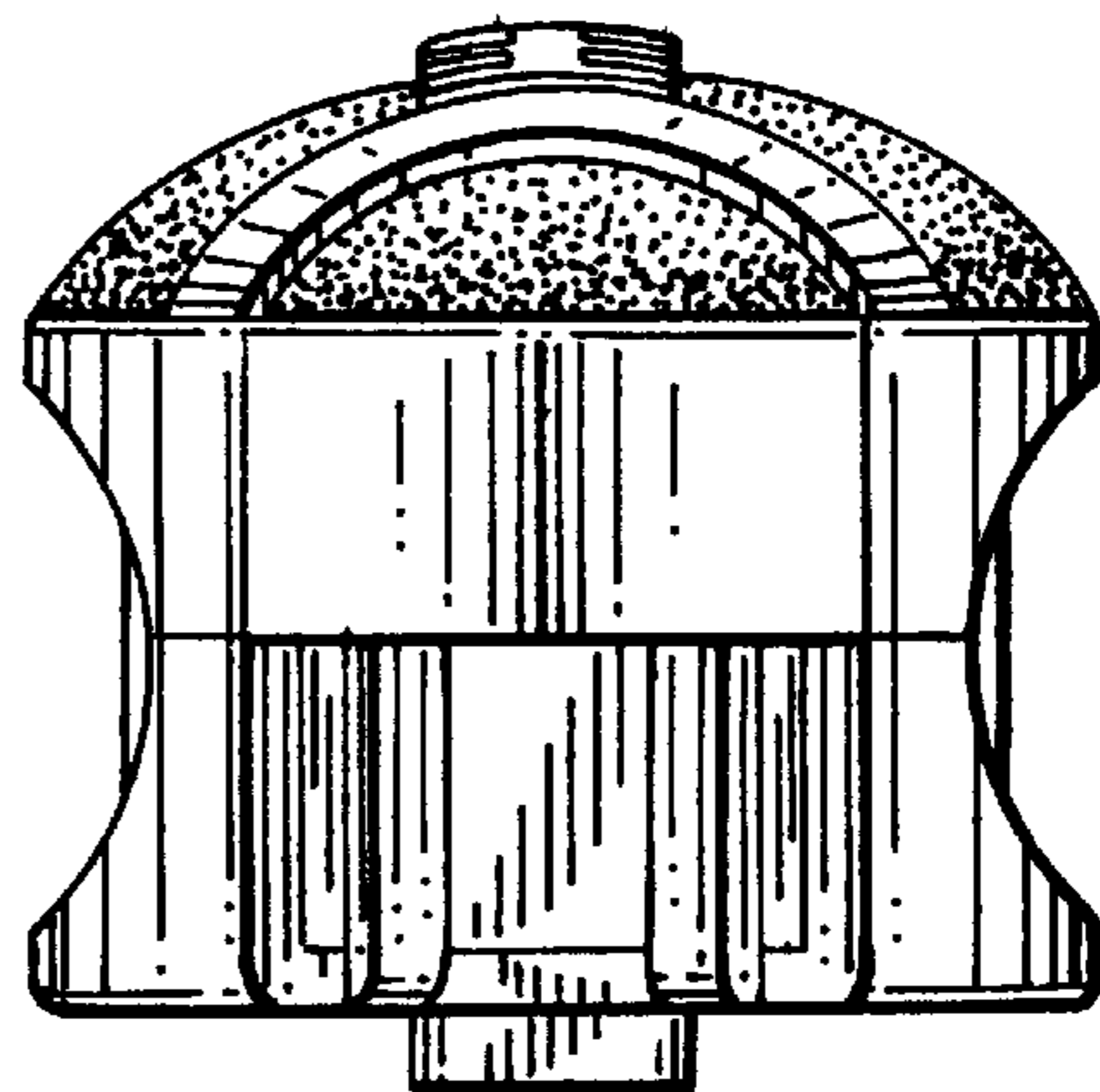


FIG. 6

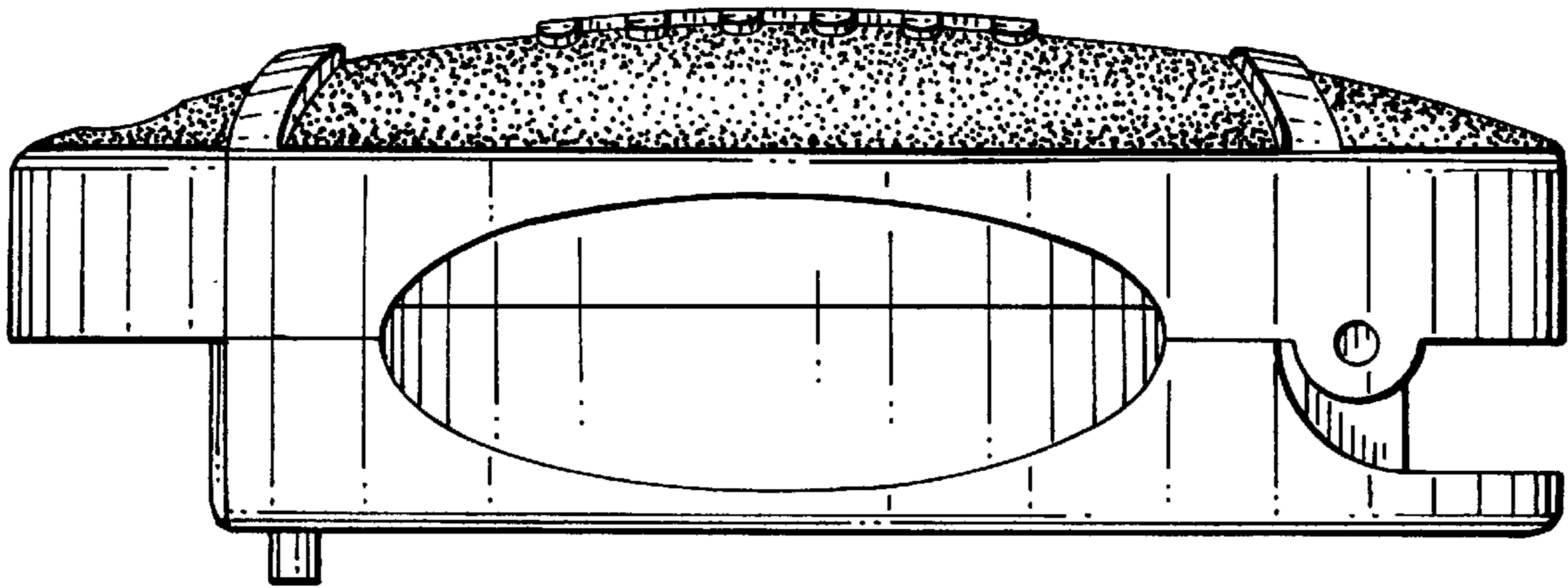


FIG. 7

