



US00D482263S

(12) **United States Design Patent**
Smith et al.

(10) **Patent No.:** **US D482,263 S**

(45) **Date of Patent:** **** Nov. 18, 2003**

(54) **CHAIN MOUNTED CLEVIS SNAP HOOK**

(75) Inventors: **Keith A. Smith**, Burlington (CA);
Steve B. Levay, Font Hill (CA); **Bob Claus**, Welland (CA)

(73) Assignee: **Haun Drop Forge Co. Ltd.** (CA)

(**) Term: **14 Years**

(21) Appl. No.: **29/174,332**

(22) Filed: **Jan. 16, 2003**

(51) **LOC (7) Cl.** **08-05**

(52) **U.S. Cl.** **D8/367**

(58) **Field of Search** D8/367, 382; 294/19.1,
294/19.2; 24/599.1, 599.8, 598.1, 598.4,
598.5

(56) **References Cited**

U.S. PATENT DOCUMENTS

D249,019 S * 8/1978 Fredriksson D8/367
4,122,585 A * 10/1978 Sharp et al. 294/82.2

5,586,374 A * 12/1996 Nishida 24/599.8
5,664,304 A * 9/1997 Tambornino 24/599.1
D445,020 S * 7/2001 Smith et al. D8/367

* cited by examiner

Primary Examiner—Holly Baynham

(74) *Attorney, Agent, or Firm*—Merek, Blackmon & Voorhees

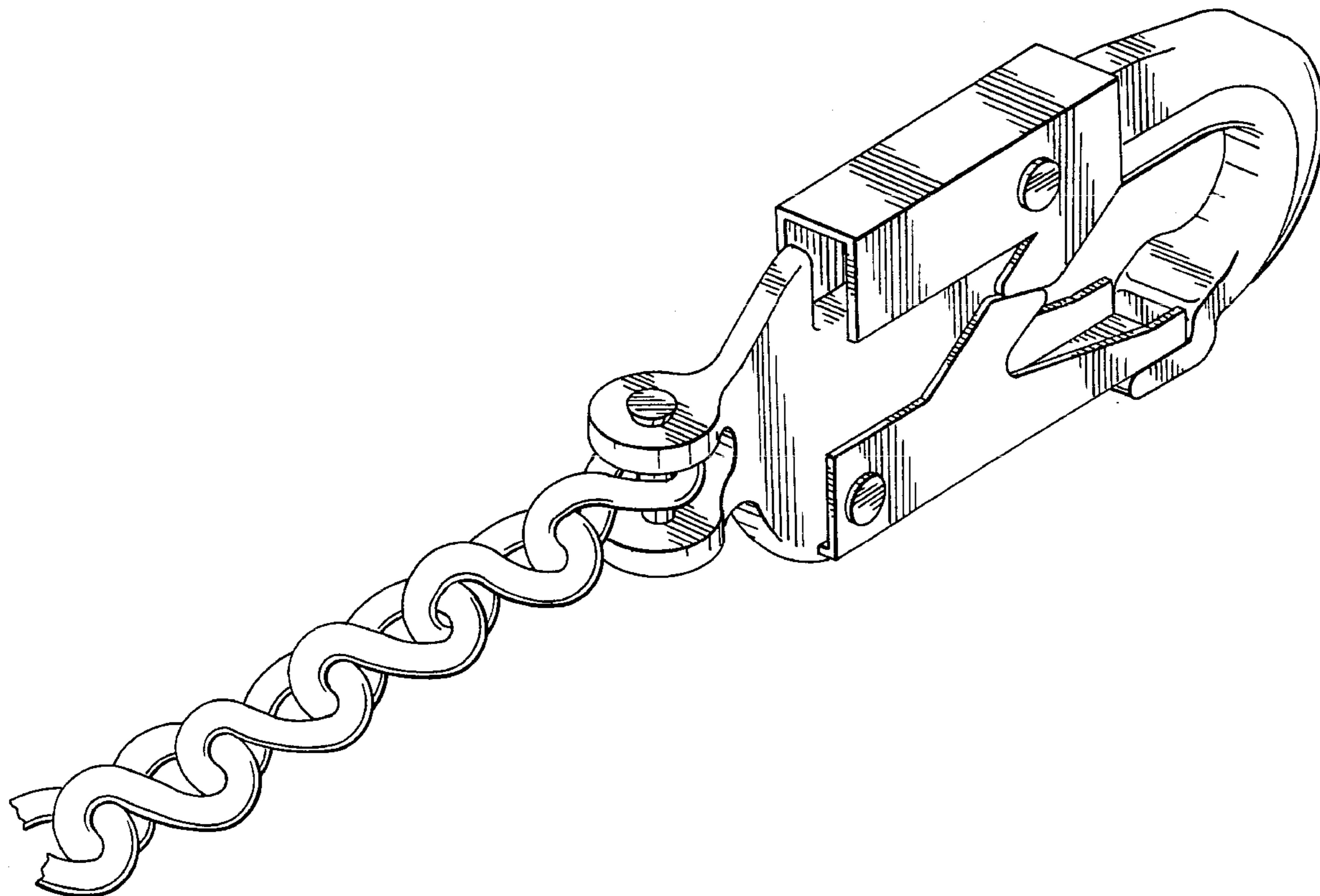
(57) **CLAIM**

The ornamental design for a chain mounted clevis snap hook, as shown and described.

DESCRIPTION

FIG. 1 is an upper side perspective view of the chain mounted clevis snap hook;
FIG. 2 is a reduced scale side elevational view thereof;
FIG. 3 is a right end elevational view thereof;
FIG. 4 is a top view thereof;
FIG. 5 is a bottom view thereof; and,
FIG. 6 is a side elevational view of a second embodiment of the chain mounted clevis snap hook as disclosed in FIG. 1.

1 Claim, 3 Drawing Sheets



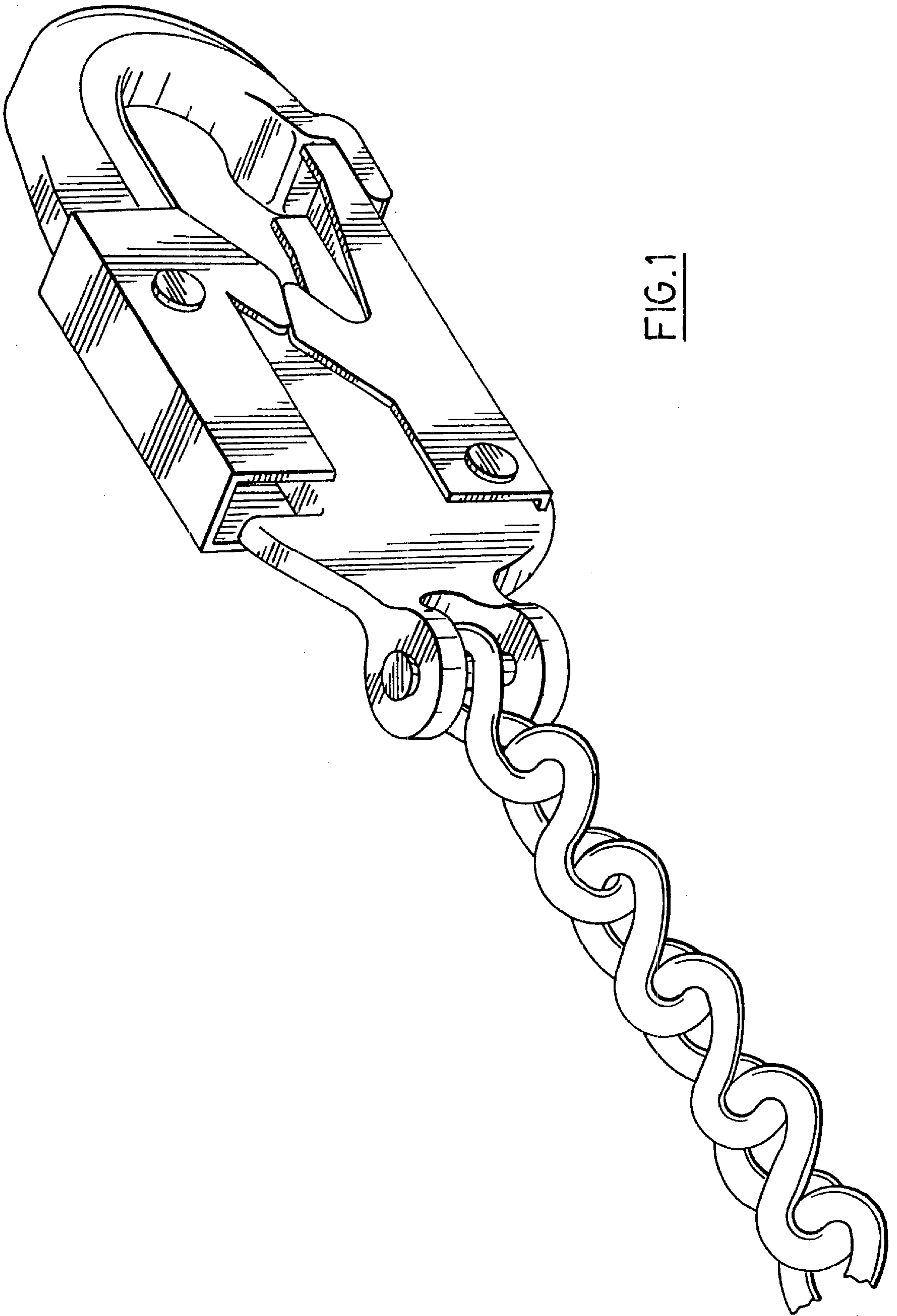


FIG. 1

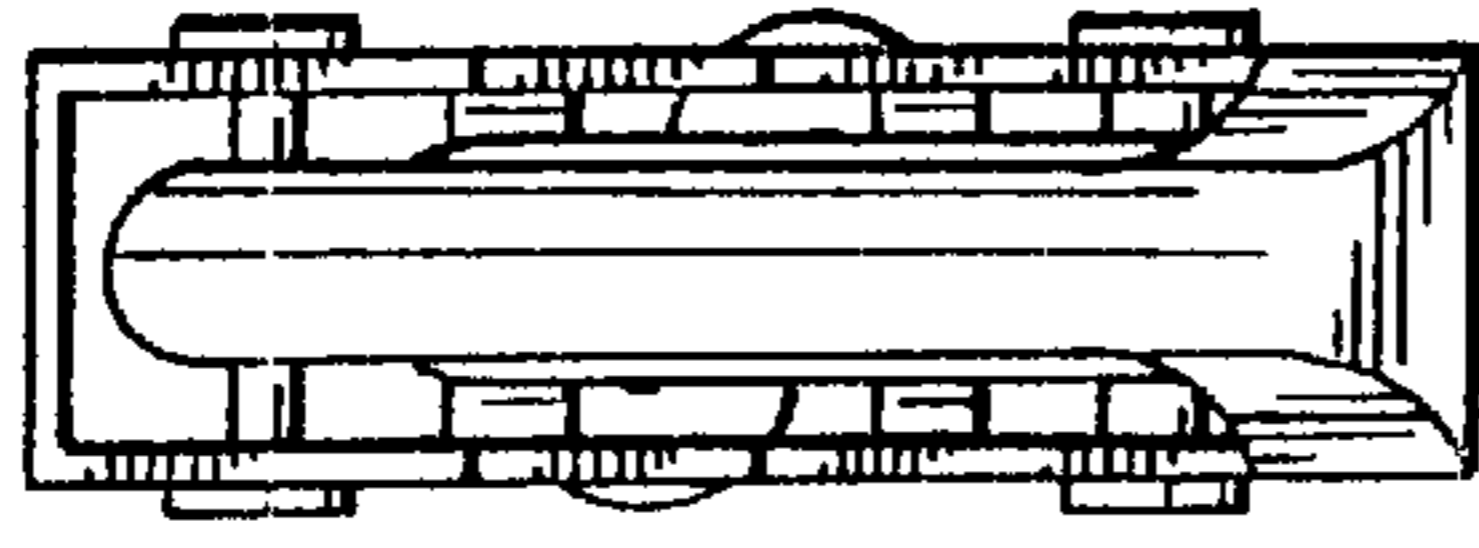


FIG. 3

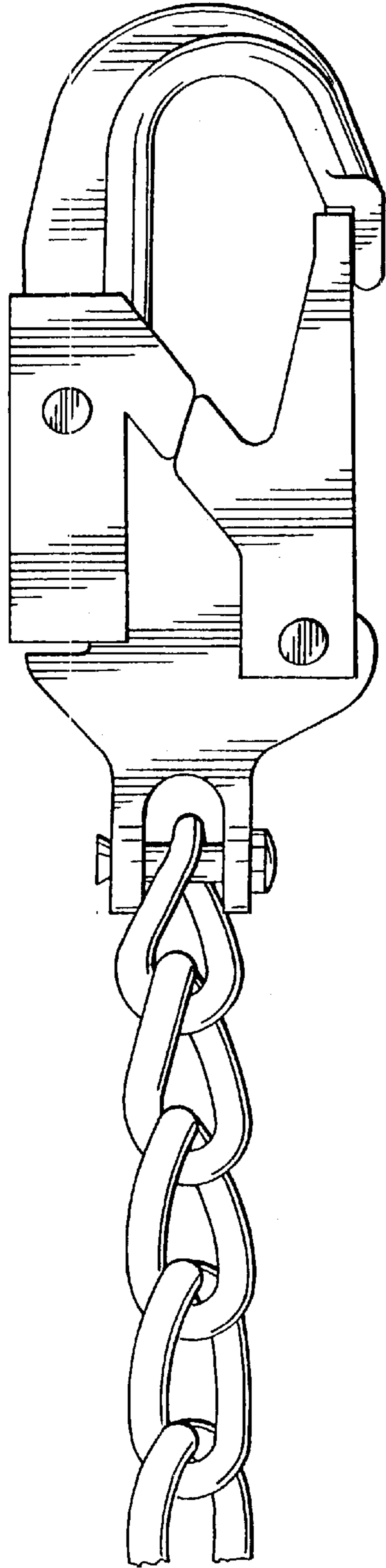


FIG. 2

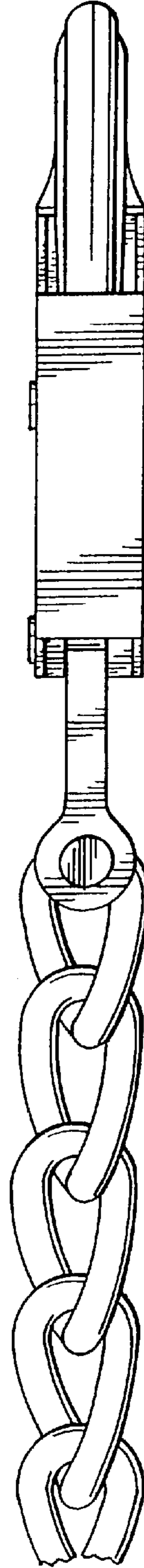


FIG. 4

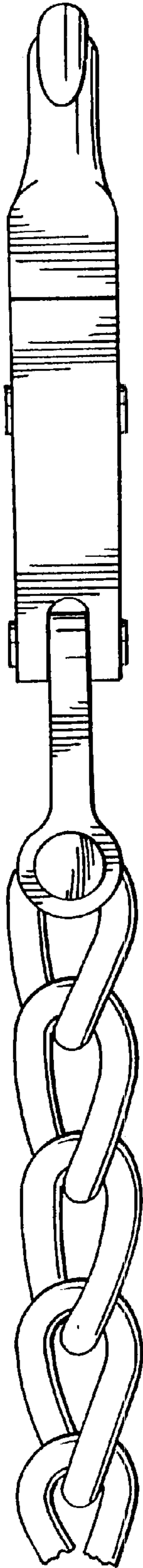


FIG. 5

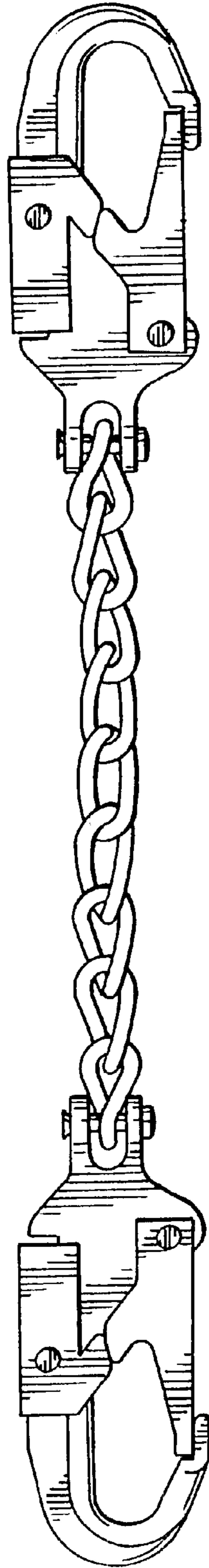


FIG. 6