



US00D482261S

(12) **United States Design Patent**
Kobayashi

(10) **Patent No.:** **US D482,261 S**

(45) **Date of Patent:** **** Nov. 18, 2003**

(54) **DESK MOUNT**

(75) **Inventor:** **Kohji Kobayashi, Tokyo (JP)**

(73) **Assignee:** **Allied Telesis Kabushiki Kaisha,**
Tokyo (JP)

(**) **Term:** **14 Years**

(21) **Appl. No.:** **29/166,141**

(22) **Filed:** **Aug. 22, 2002**

(30) **Foreign Application Priority Data**

Mar. 28, 2002 (JP) 2002-008278

(51) **LOC (7) Cl.** **08-08**

(52) **U.S. Cl.** **D8/349**

(58) **Field of Search** D8/349, 354, 355,
D8/356, 363, 366, 371, 373, 380; D6/491,
512, 553, 567; D19/90; 211/86.01; 248/200,
201, 205.1, 295.11, 300, 309.1, 317, 327;
D13/154, 155

(56) **References Cited**

U.S. PATENT DOCUMENTS

3,362,667 A * 1/1968 Ginsburg 248/300
D316,810 S * 5/1991 Blackford D8/382

D340,226 S * 10/1993 Sachs D13/154
D394,377 S * 5/1998 Najewski et al. D8/354
6,095,057 A * 8/2000 Corban 108/42
6,340,145 B1 * 1/2002 Tagami et al. 248/317

OTHER PUBLICATIONS

Applicant's Co-Pending U.S. patent application Ser. No.
10/231,611—Filed Aug. 30, 2002.

* cited by examiner

Primary Examiner—Doris V. Coles
Assistant Examiner—Elizabeth Albert
(74) *Attorney, Agent, or Firm*—Dechert LLP

(57) **CLAIM**

The ornamental design for a desk mount, as shown.

DESCRIPTION

FIG. 1 is a perspective view thereof;
FIG. 2 is a front elevation view thereof;
FIG. 3 is a back elevation view thereof;
FIG. 4 is a top plan view thereof;
FIG. 5 is a bottom plan view thereof;
FIG. 6 is a right side view thereof; and,
FIG. 7 is a left side view thereof.

1 Claim, 6 Drawing Sheets

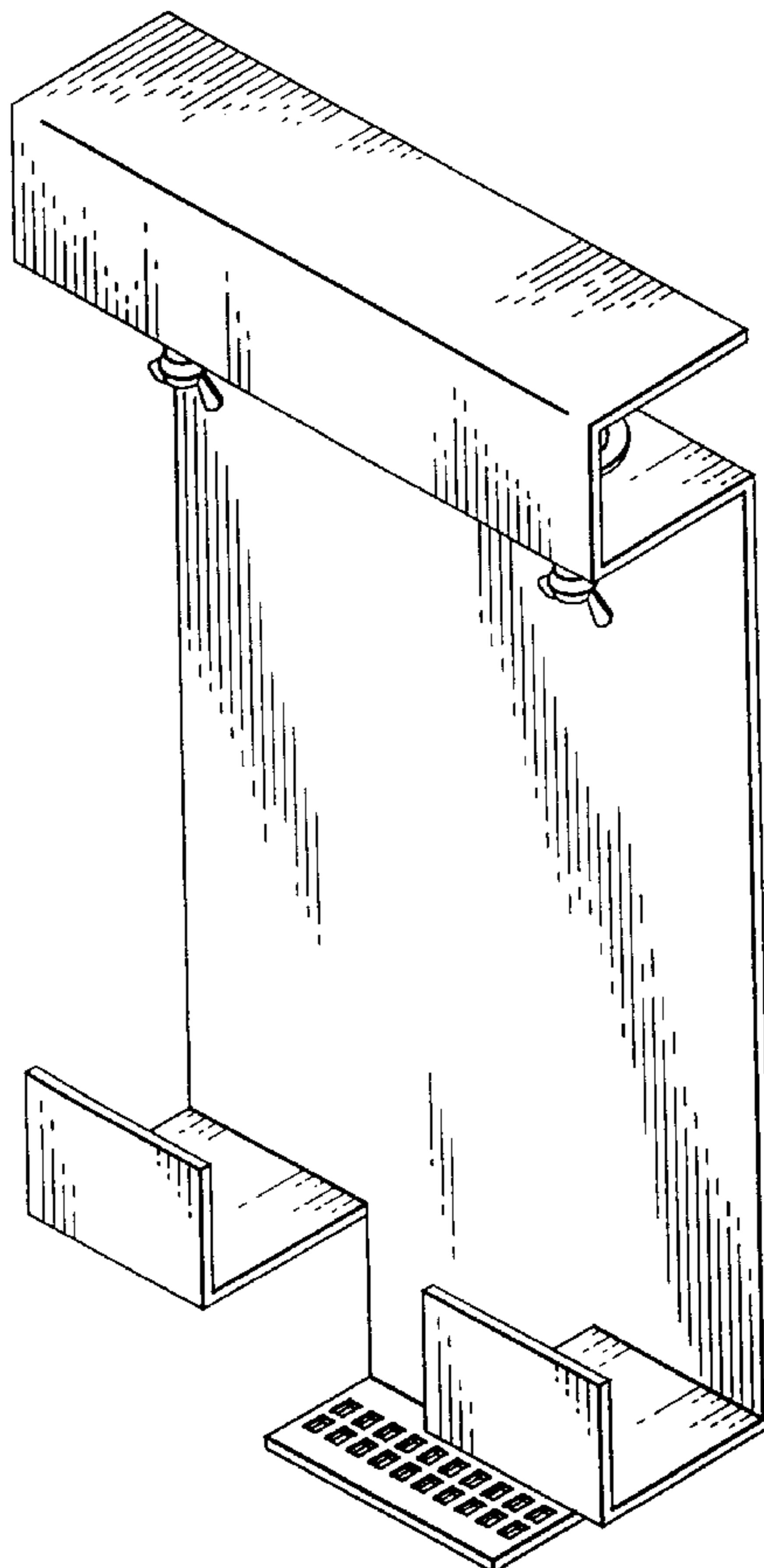


FIG. 1

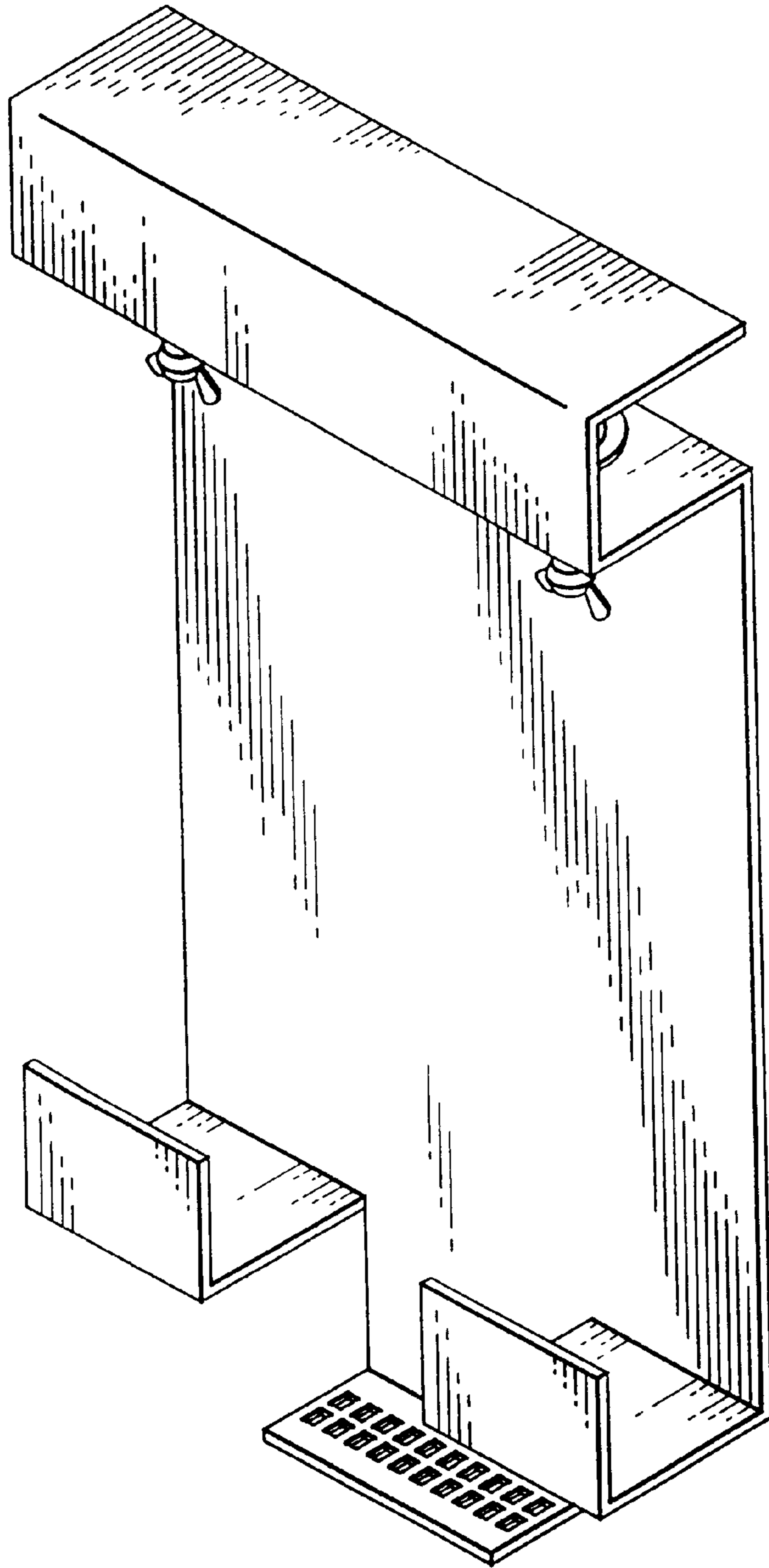


FIG. 2

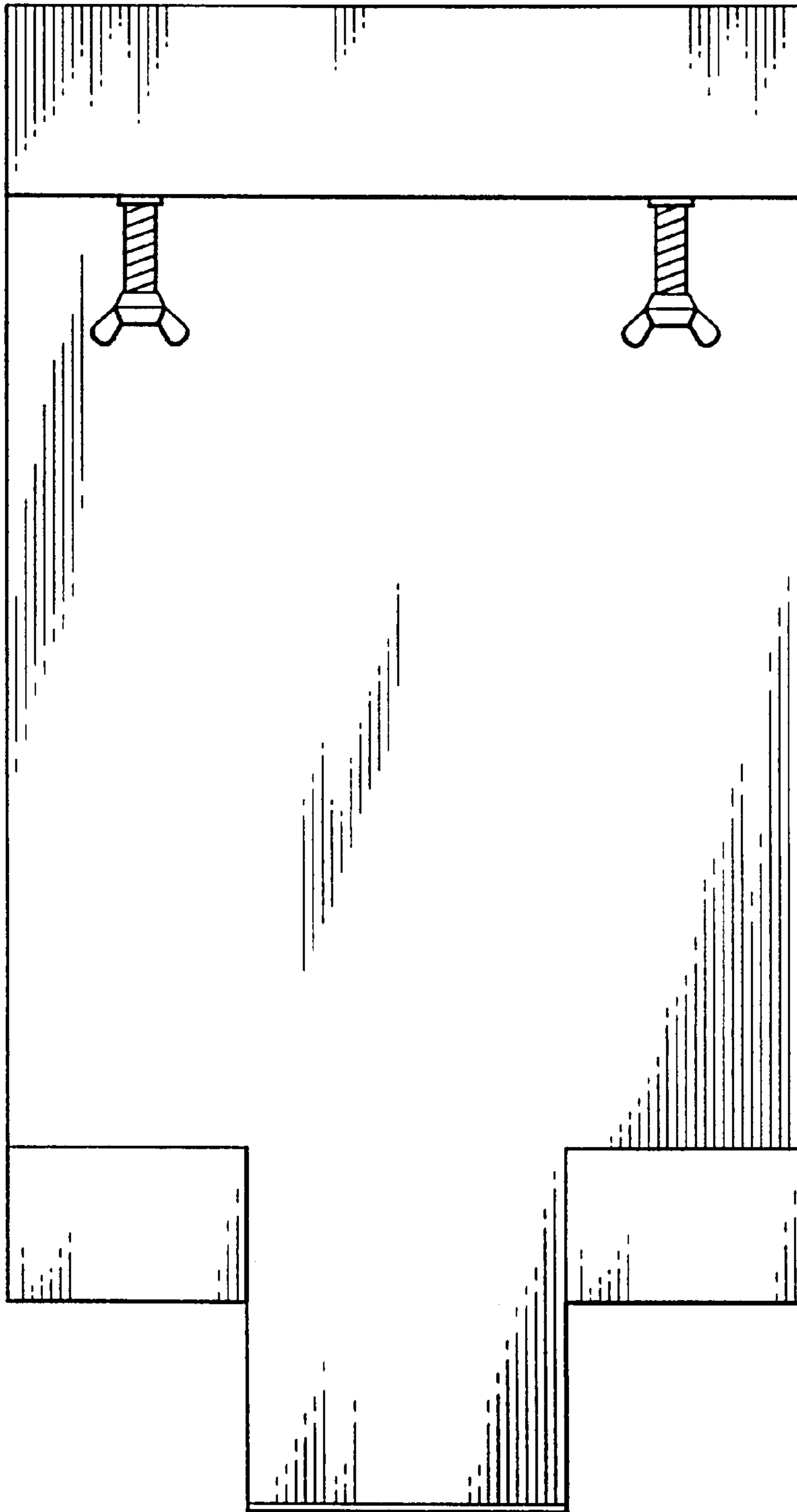


FIG. 3

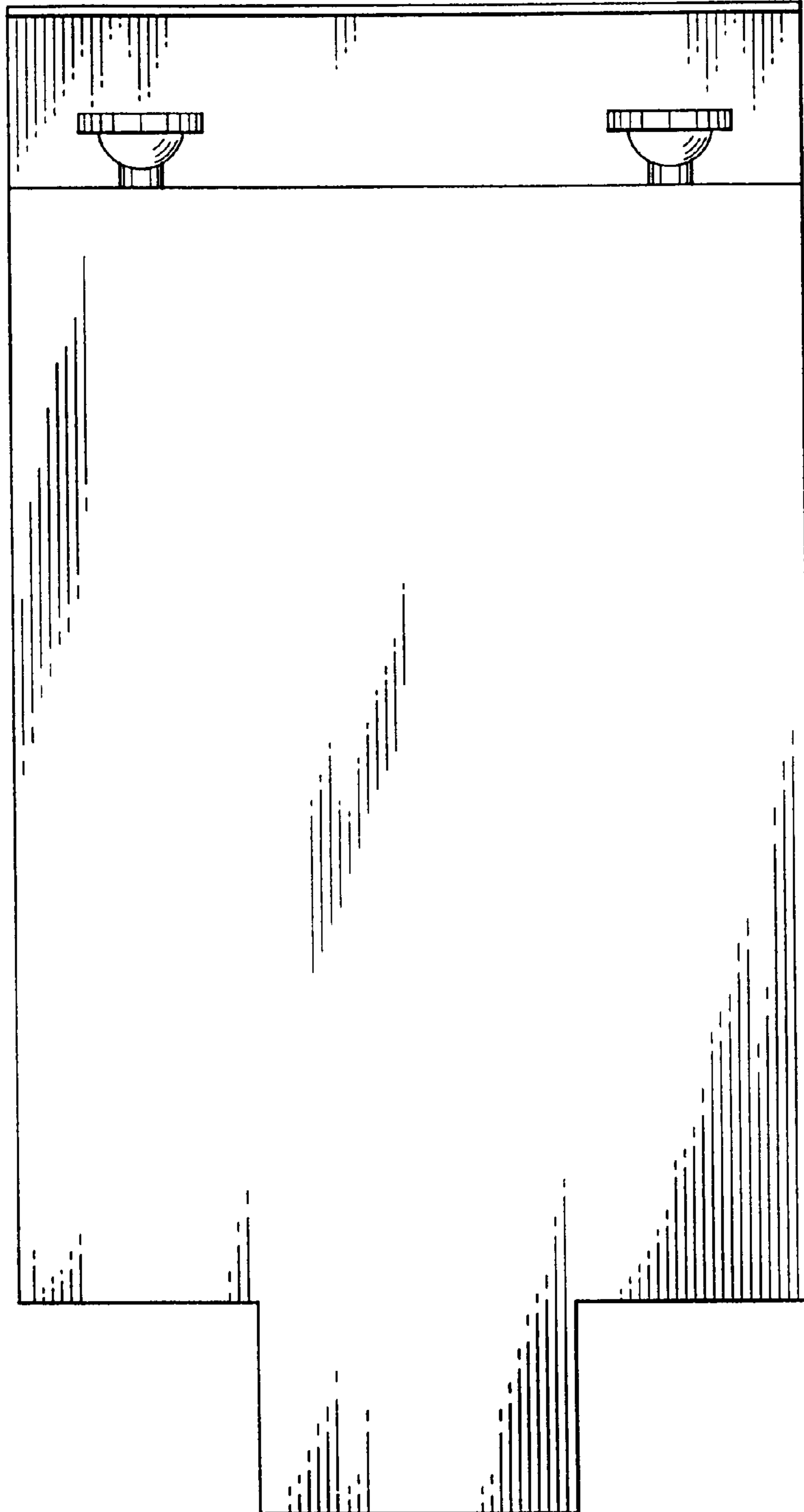


FIG. 4

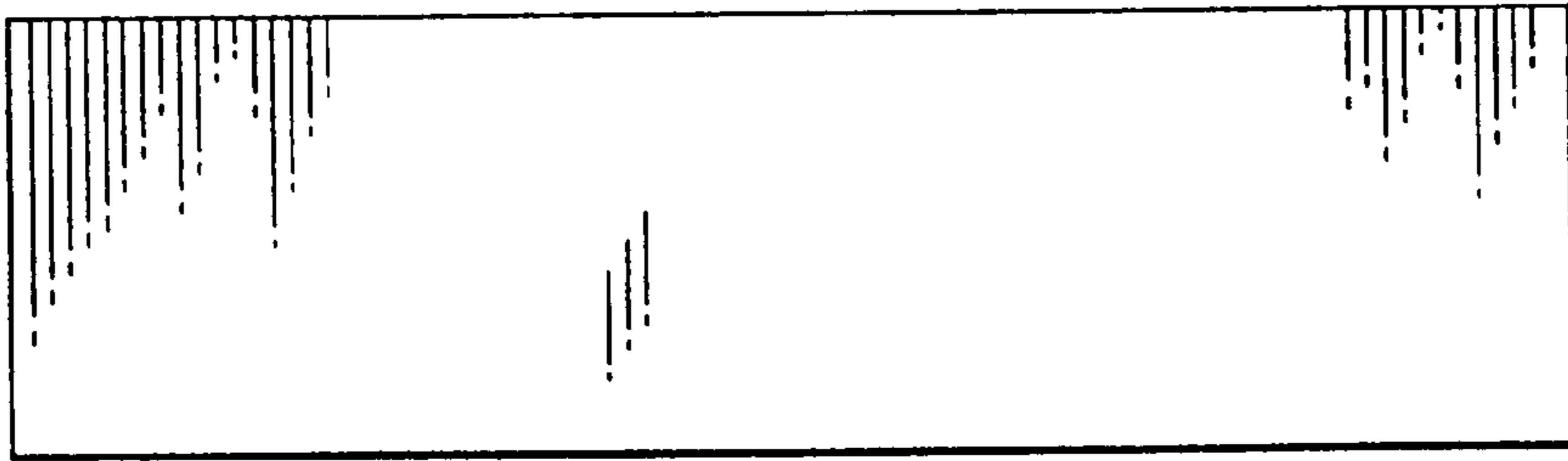


FIG. 5

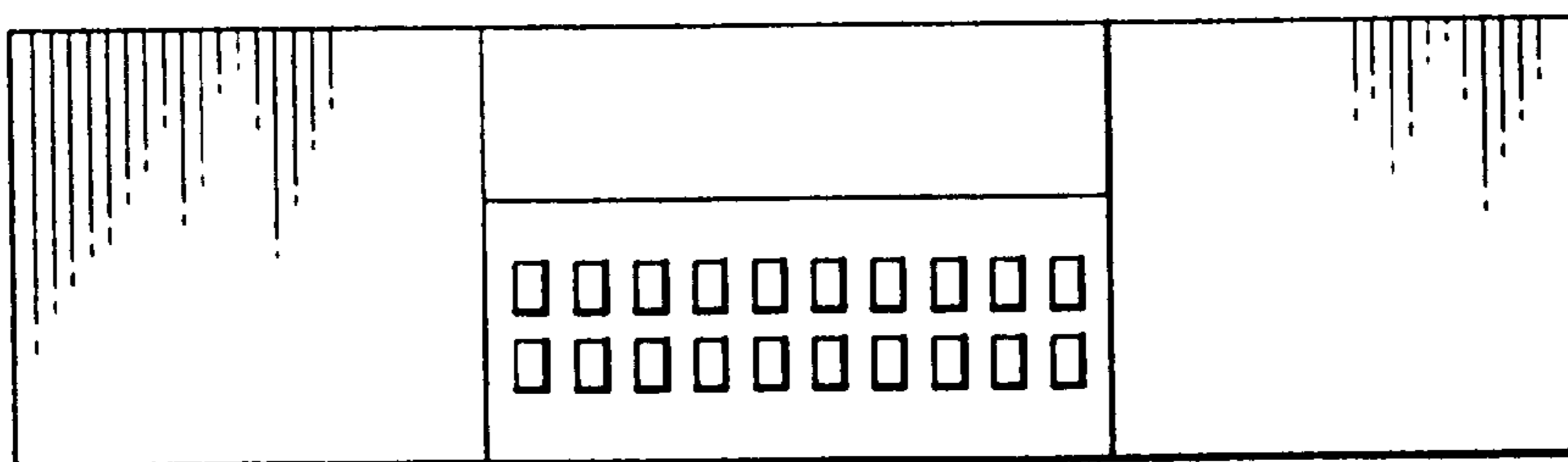


FIG. 6

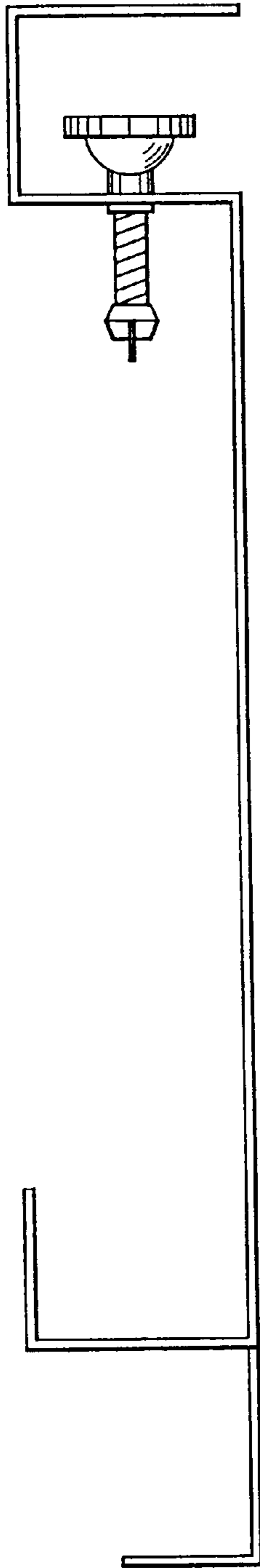


FIG. 7

