



US00D482260S

(12) **United States Design Patent** (10) **Patent No.:** **US D482,260 S**
McMurray et al. (45) **Date of Patent:** **** Nov. 18, 2003**

(54) **APPARATUS FOR MOUNTING AND LOCKING A FIREARM**

(75) Inventors: **William McMurray**, Detroit, MI (US);
Matthew C. Mullen, Westland, MI (US)

(73) Assignee: **The RAC Holding Company, L.L.C.**, Southfield, MI (US)

(**) Term: **14 Years**

(21) Appl. No.: **29/174,433**

(22) Filed: **Jan. 17, 2003**

Related U.S. Application Data

(63) Continuation-in-part of application No. 09/874,751, filed on Jun. 5, 2001.

(51) **LOC (7) Cl.** **08-07**

(52) **U.S. Cl.** **D8/336; D8/333; D6/552**

(58) **Field of Search** **D6/552; D8/349, D8/336, 333; 42/62, 66, 67, 70.01, 70.04, 70.05, 70.06; D22/108; 211/4, 13.1, 64**

(56) **References Cited**

U.S. PATENT DOCUMENTS

3,031,787 A * 5/1962 Womble, Jr. 42/70.01
3,368,297 A * 2/1968 Lentz 42/70.06 X
D341,072 S * 11/1993 Bryant D8/336

* cited by examiner

Primary Examiner—Brian N. Vinson

(74) *Attorney, Agent, or Firm*—Gifford, Krass, Groh, Sprinkle, Anderson & Citkowski, P.C.

(57) **CLAIM**

I claim the ornamental design for an apparatus for mounting and locking a firearm, as shown and described.

DESCRIPTION

FIG. 1 is a perspective view of an apparatus for mounting and locking a firearm showing my new design;

FIG. 2 is a top view thereof;

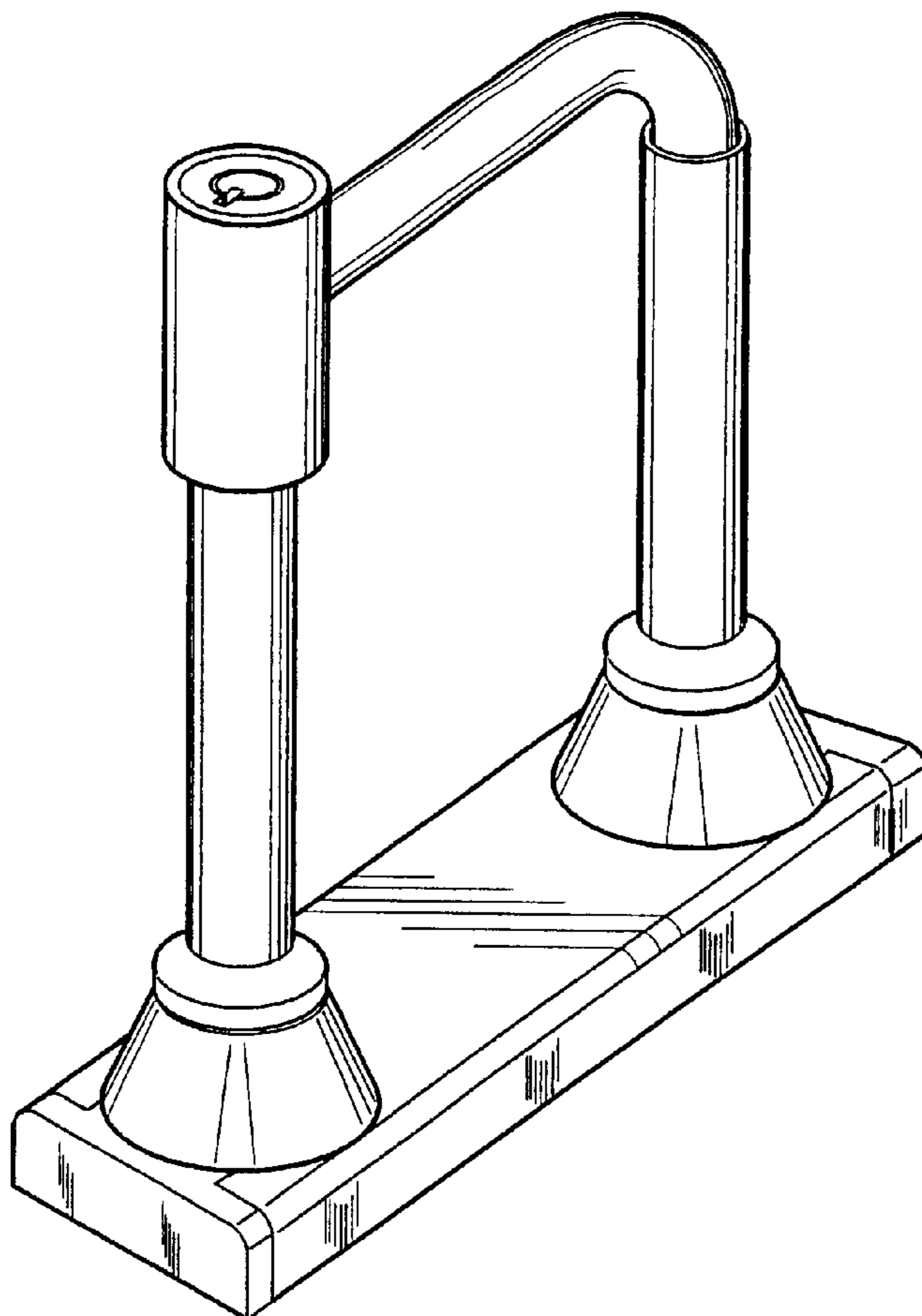
FIG. 3 is a bottom view thereof;

FIG. 4 is a side view thereof;

FIG. 5 is a left side view thereof; and,

FIG. 6 is a right side view thereof.

1 Claim, 3 Drawing Sheets



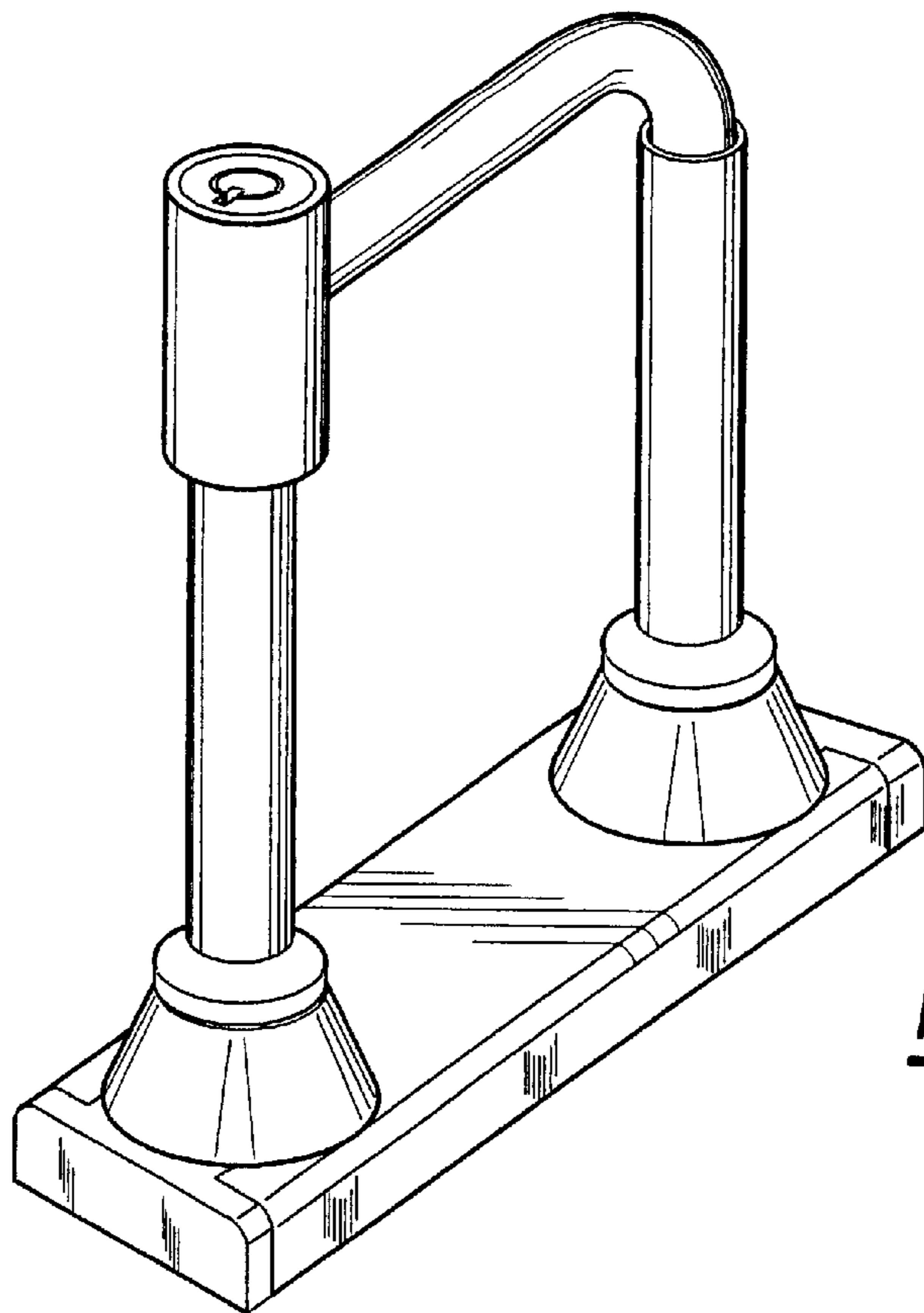


Fig-1

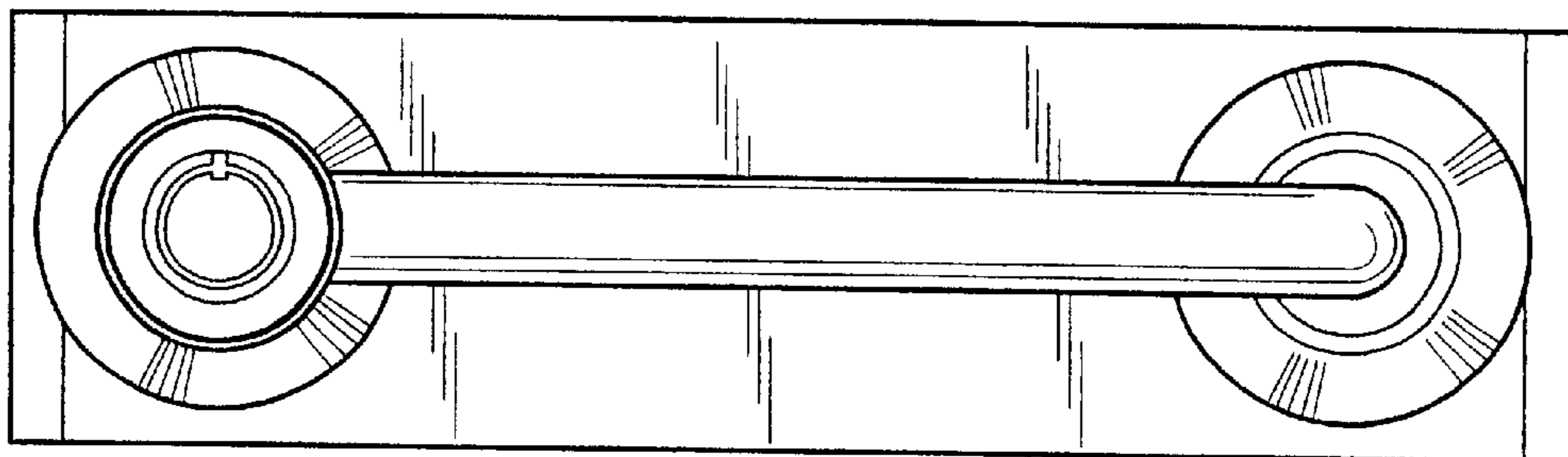


Fig-2

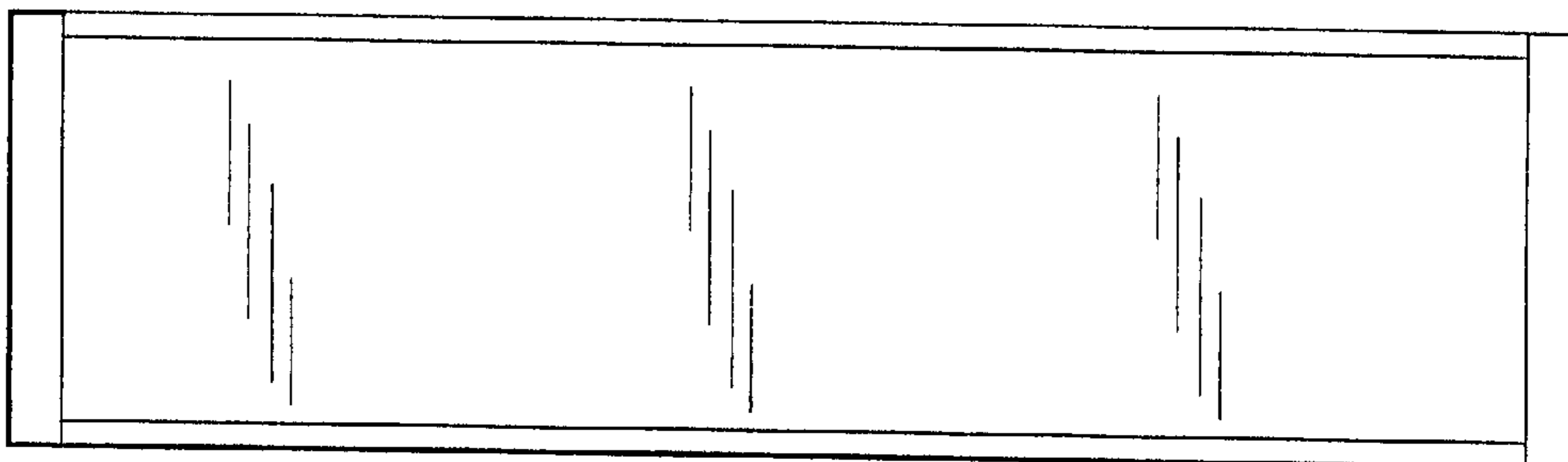


Fig-3

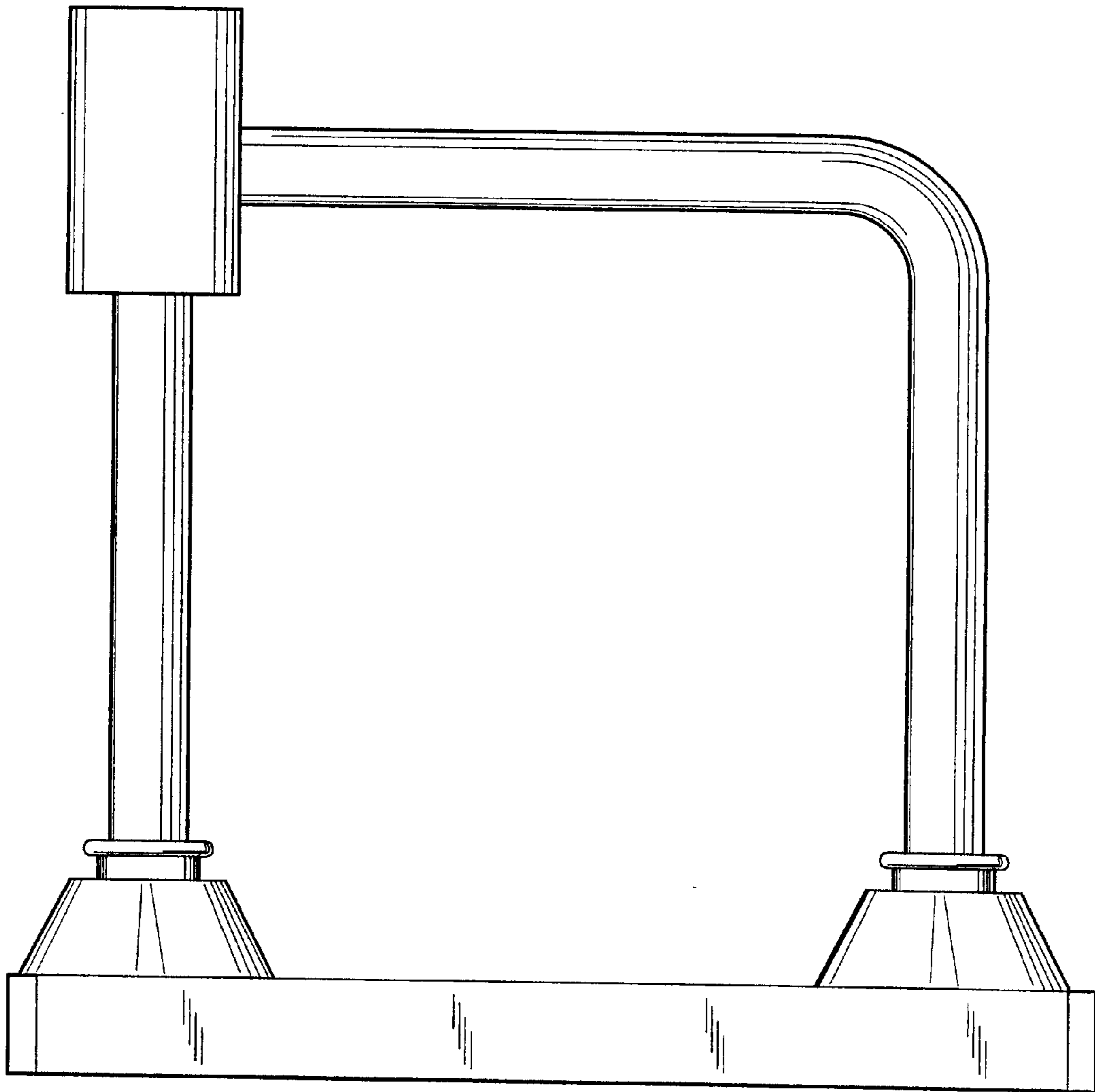


Fig-4

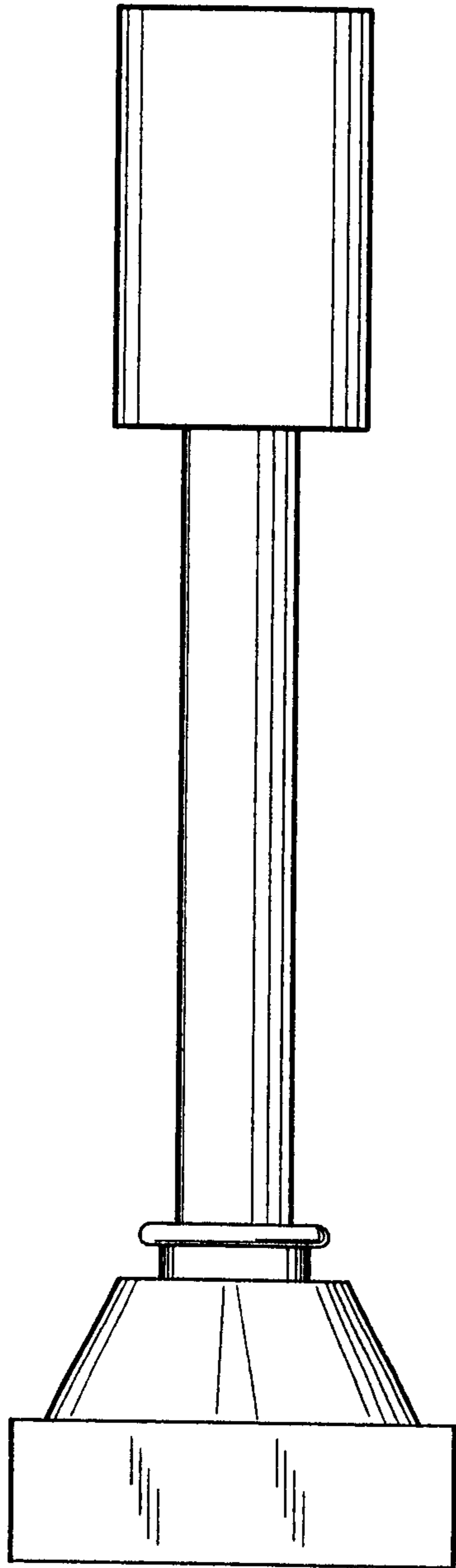


Fig-5

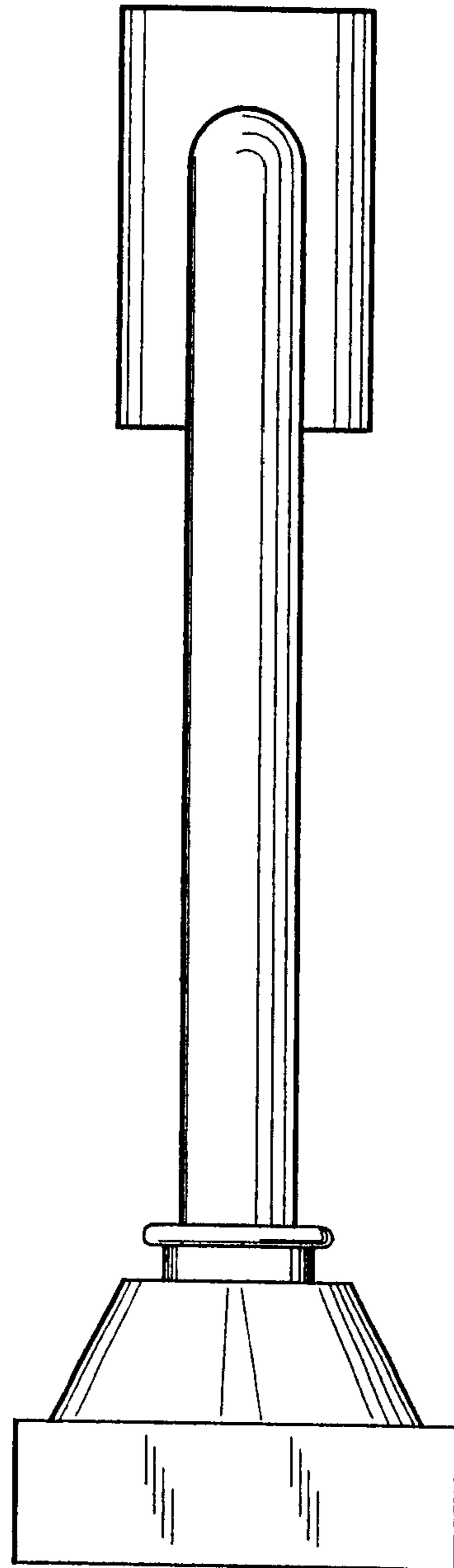


Fig-6