



US00D482256S

(12) **United States Design Patent**
Metcalf

(10) **Patent No.:** **US D482,256 S**

(45) **Date of Patent:** **** Nov. 18, 2003**

- (54) **SCREWDRIVER HANDLE**
- (75) Inventor: **Michael Metcalf**, Colorado Springs,
CO (US)
- (73) Assignee: **Emerson Electric Company**, St. Louis,
MO (US)
- (**) Term: **14 Years**
- (21) Appl. No.: **29/156,832**
- (22) Filed: **Mar. 7, 2002**
- (51) **LOC (7) Cl.** **08-04**
- (52) **U.S. Cl.** **D8/83; D8/107**
- (58) **Field of Search** D8/82, 83, 84,
D8/85, 86, 87, 107; 81/177.1, 436, 437,
438, 439, 440

- D383,661 S 9/1997 Chang D8/83
- D398,506 S 9/1998 Grizzaffi, Jr. D8/82
- D398,507 S 9/1998 Thompson et al. D8/83
- D398,508 S 9/1998 Thompson et al. D8/83
- D408,253 S 4/1999 Rowlay D8/83
- D448,642 S 10/2001 Hermann D8/83

OTHER PUBLICATIONS

Techni-Tool Catalog, 1996, pp. 60 through 63, Screwdrivers.*

* cited by examiner

Primary Examiner—Philip S. Hyder

(74) *Attorney, Agent, or Firm*—Howrey Simon Arnold & White

(57) **CLAIM**

The ornamental design for a screwdriver handle, as shown and described.

DESCRIPTION

FIG. 1 is a first side view of the screwdriver, showing my new design;
 FIG. 2 is a second side view thereof;
 FIG. 3 is a first end view thereof;
 FIG. 4 is a second end view thereof, showing the end opposite that shown in FIG. 3.
 FIG. 5 is a third side view; and,
 FIG. 6 is a fourth side view.
 The portions of the drawings shown in broken lines form no part of the claimed design.

1 Claim, 2 Drawing Sheets

(56) **References Cited**
U.S. PATENT DOCUMENTS

- D142,267 S * 8/1945 Walraven D8/82
- D143,931 S * 2/1946 Odium D8/83
- 3,586,080 A 6/1971 Slany 145/61
- D229,475 S 12/1973 Uboldi D8/82
- D310,472 S * 9/1990 Mader et al. D8/82
- D329,367 S 9/1992 Landy D8/83
- D344,002 S 2/1994 McKinney et al. D8/82
- D351,549 S 10/1994 Lee D8/83
- D360,123 S 7/1995 Shu D8/83
- 5,431,075 A 7/1995 Cruz et al. 81/492
- 5,530,989 A 7/1996 Remmert et al. 16/430
- D378,186 S * 2/1997 Braun D8/83

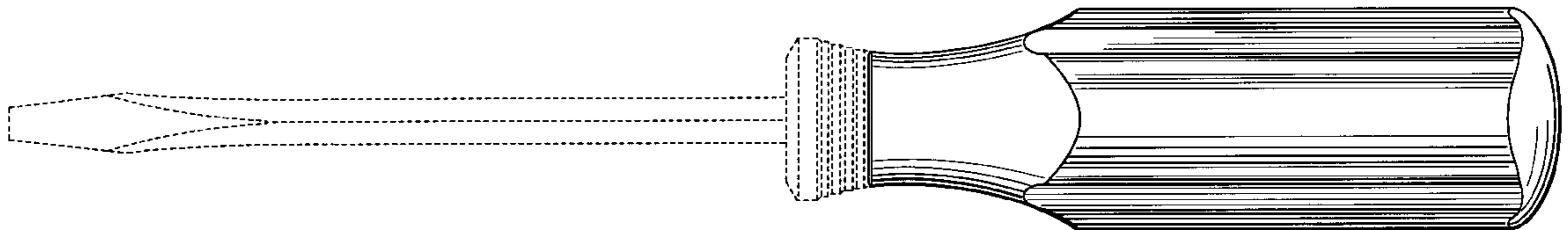


FIG. 1

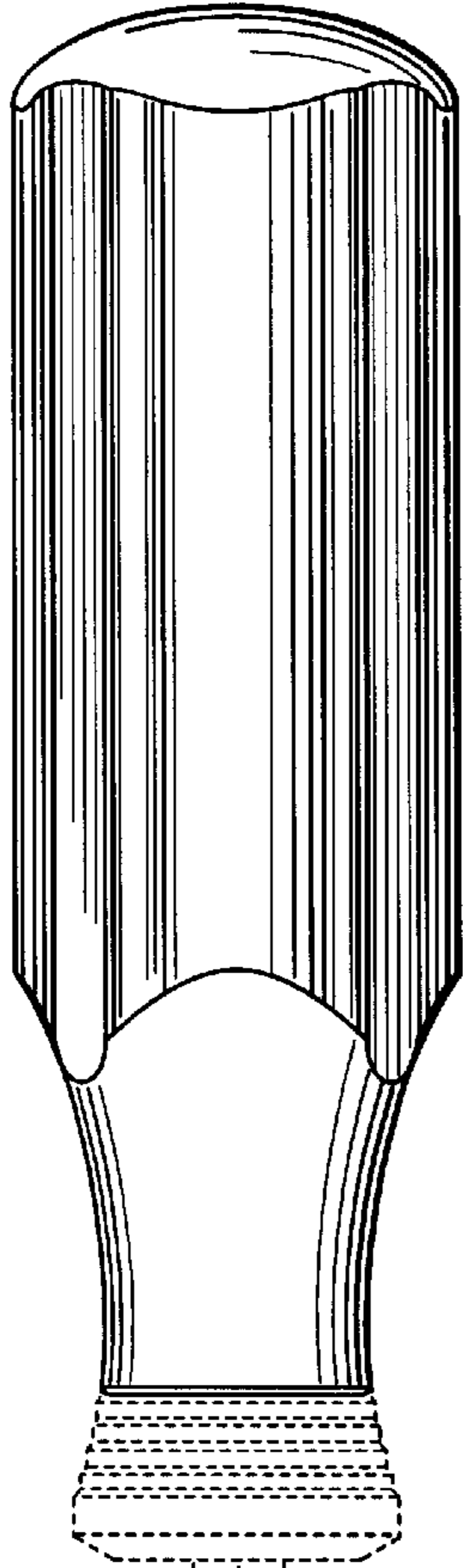


FIG. 2

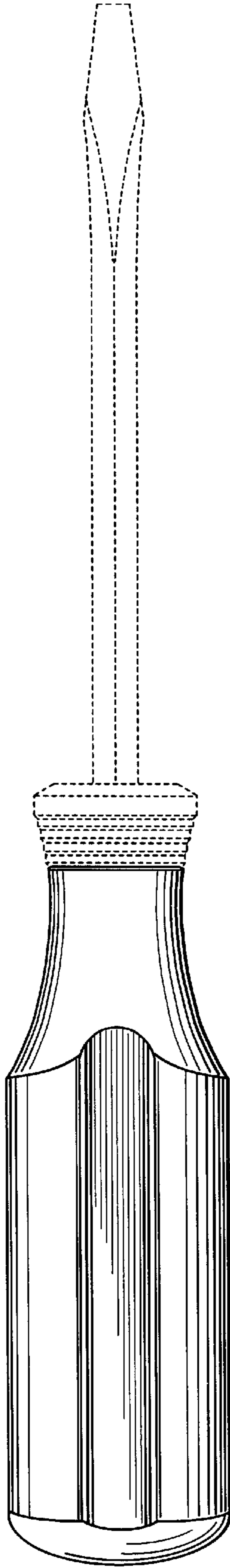


FIG. 4

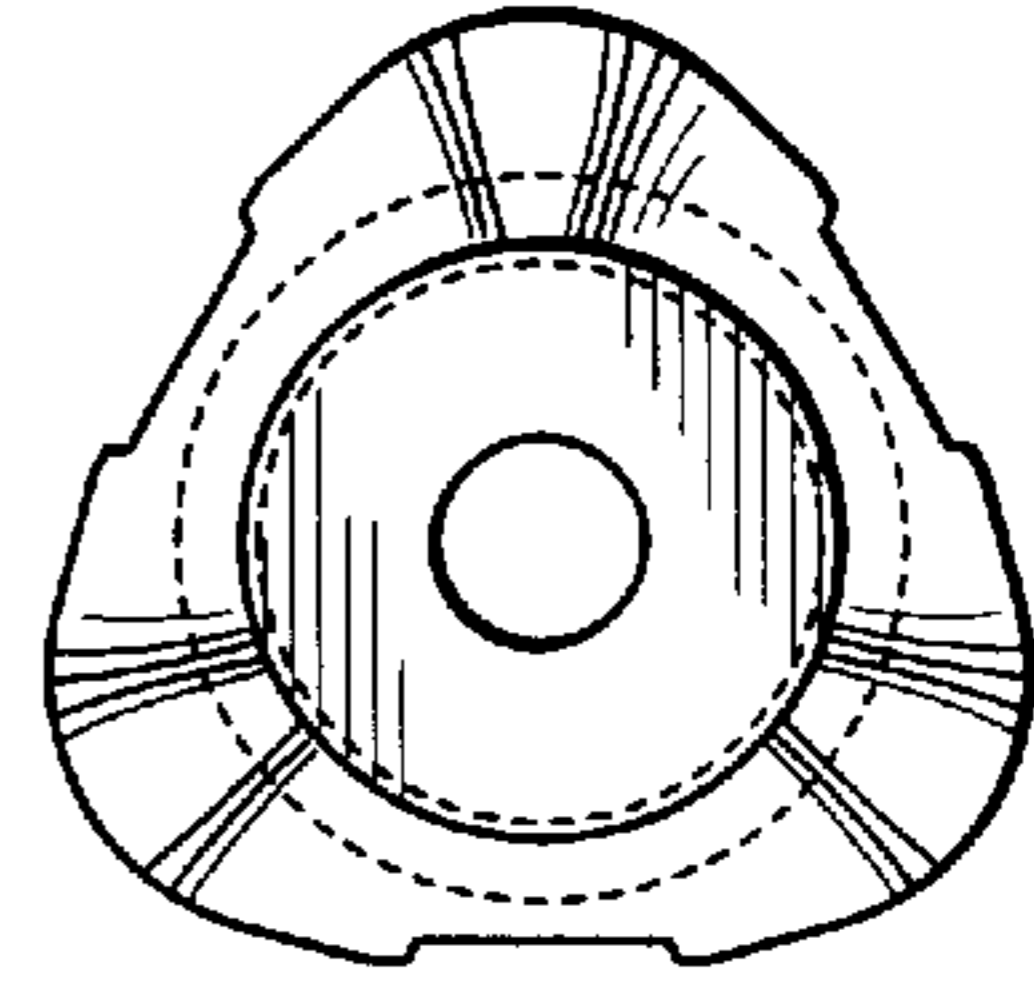


FIG. 3

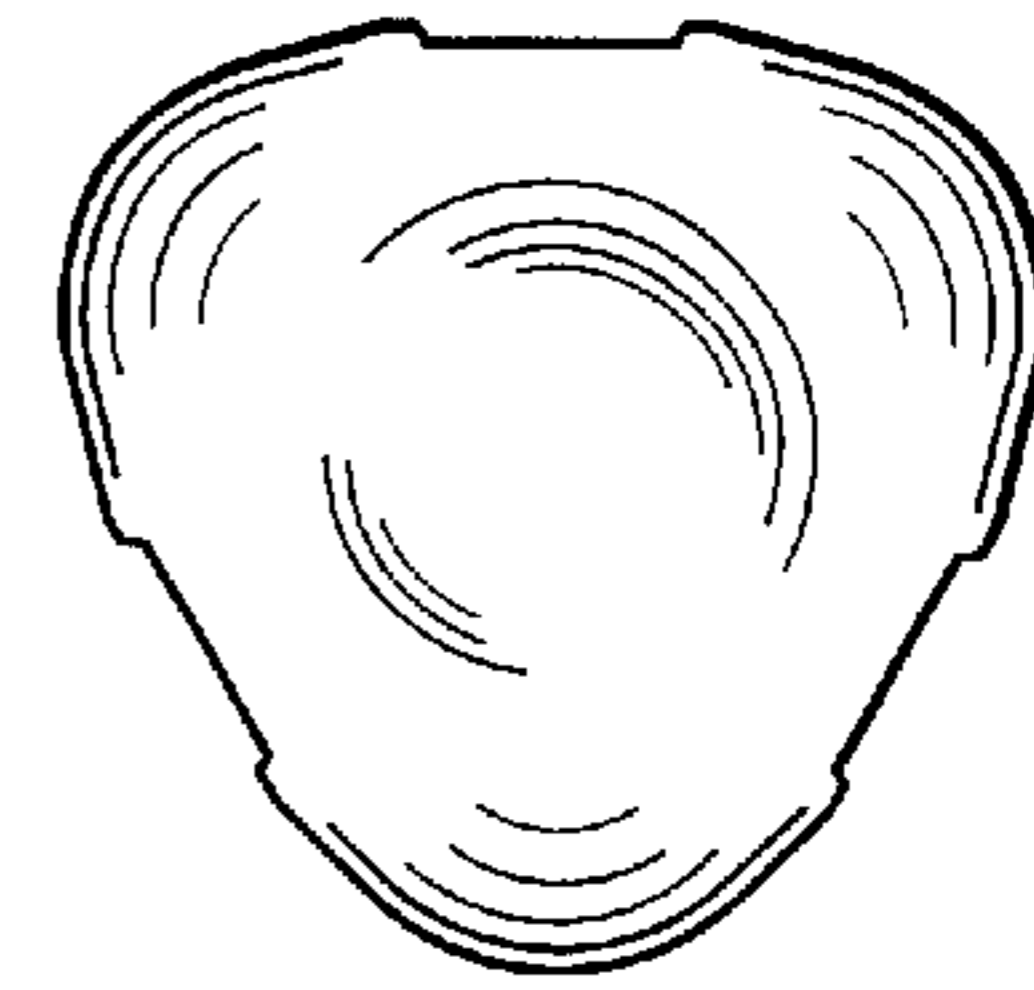


FIG. 5

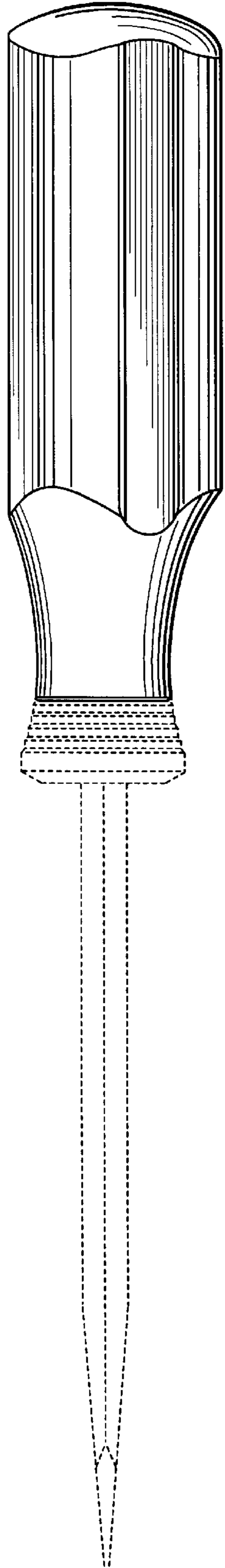
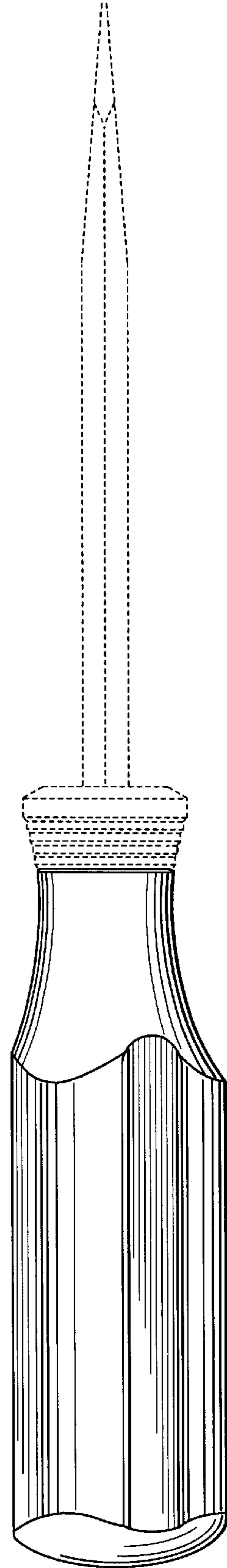


FIG. 6



UNITED STATES PATENT AND TRADEMARK OFFICE
CERTIFICATE OF CORRECTION

PATENT NO. : D482,256S
DATED : November 18, 2003
INVENTOR(S) : Michael Mitcalf

Page 1 of 1

It is certified that error appears in the above-identified patent and that said Letters Patent is hereby corrected as shown below:

Title Page,

Item [73], Assignee, delete "Company" and insert -- Co. --.

Signed and Sealed this

Eighth Day of June, 2004

A handwritten signature in black ink that reads "Jon W. Dudas". The signature is written in a cursive style with a large, looped initial "J".

JON W. DUDAS
Acting Director of the United States Patent and Trademark Office