



US00D482255S

(12) **United States Design Patent**
Winig et al.

(10) **Patent No.:** **US D482,255 S**

(45) **Date of Patent:** **** Nov. 18, 2003**

(54) **TOOL HOLDER**

(75) Inventors: **Alan Winig**, Wynnewood, PA (US);
Richard Winig, Villanova, PA (US);
James Eldon, Barto, PA (US)

(73) Assignee: **Eye Designs LLC**, Collegetown, PA (US)

(**) Term: **14 Years**

(21) Appl. No.: **29/175,136**

(22) Filed: **Jan. 30, 2003**

(51) **LOC (7) Cl.** **08-05**

(52) **U.S. Cl.** **D8/71**

(58) **Field of Search** D8/71, 14.1, 64, D8/66, 70, 72, 73, 74, 349, 354, 373; D15/130, 132, 138, 139, 140, 141; 33/474, 533, 613; 81/177.1, 177.4, 437, 438, 439, 490; 82/161; 83/581, 760, 762, 763, 764, 766; 142/48, 49, 55; 211/60.1, 70.6; 248/80, 153, 175, 176.1, 201, 304, 309.1, 312, 312.1, 315, 316.8; 269/41, 42, 283

(56) **References Cited**

U.S. PATENT DOCUMENTS

1,958,772 A	5/1934	Stewart	
1,992,857 A	2/1935	Breedlove	
2,121,307 A	6/1938	Swift	
2,785,919 A	3/1957	Grondzik	
2,956,687 A	10/1960	Robichaud	
2,995,256 A	8/1961	Schoenfish	
3,063,569 A	11/1962	Huber	
3,269,550 A *	8/1966	Marcus 211/70.6
4,325,484 A	4/1982	Berry	

4,439,884 A	4/1984	Giorni	
4,597,496 A	7/1986	Kaplan	
4,905,951 A	3/1990	Putness	
D313,550 S *	1/1991	Lorincz D8/373
5,005,710 A	4/1991	Hofer	
5,201,430 A	4/1993	Artzer	
5,515,969 A	5/1996	Schonenbach	
5,573,111 A	11/1996	Gordon et al.	
5,706,936 A	1/1998	Bernstein	
5,711,419 A	1/1998	Beales et al.	
5,738,228 A	4/1998	Bittinger	
5,855,274 A	1/1999	Piao	
5,915,572 A	6/1999	Hancock	
D430,583 S *	9/2000	Fang et al. D15/139
6,164,448 A *	12/2000	Schmutz et al. 211/60.1
6,450,338 B1	9/2002	Chen	
6,491,267 B1	12/2002	Feldman	
6,508,369 B2 *	1/2003	Wang 211/60.1

* cited by examiner

Primary Examiner—Doris V. Coles

Assistant Examiner—T. Chase Nelson

(74) *Attorney, Agent, or Firm*—Duane Morris LLP

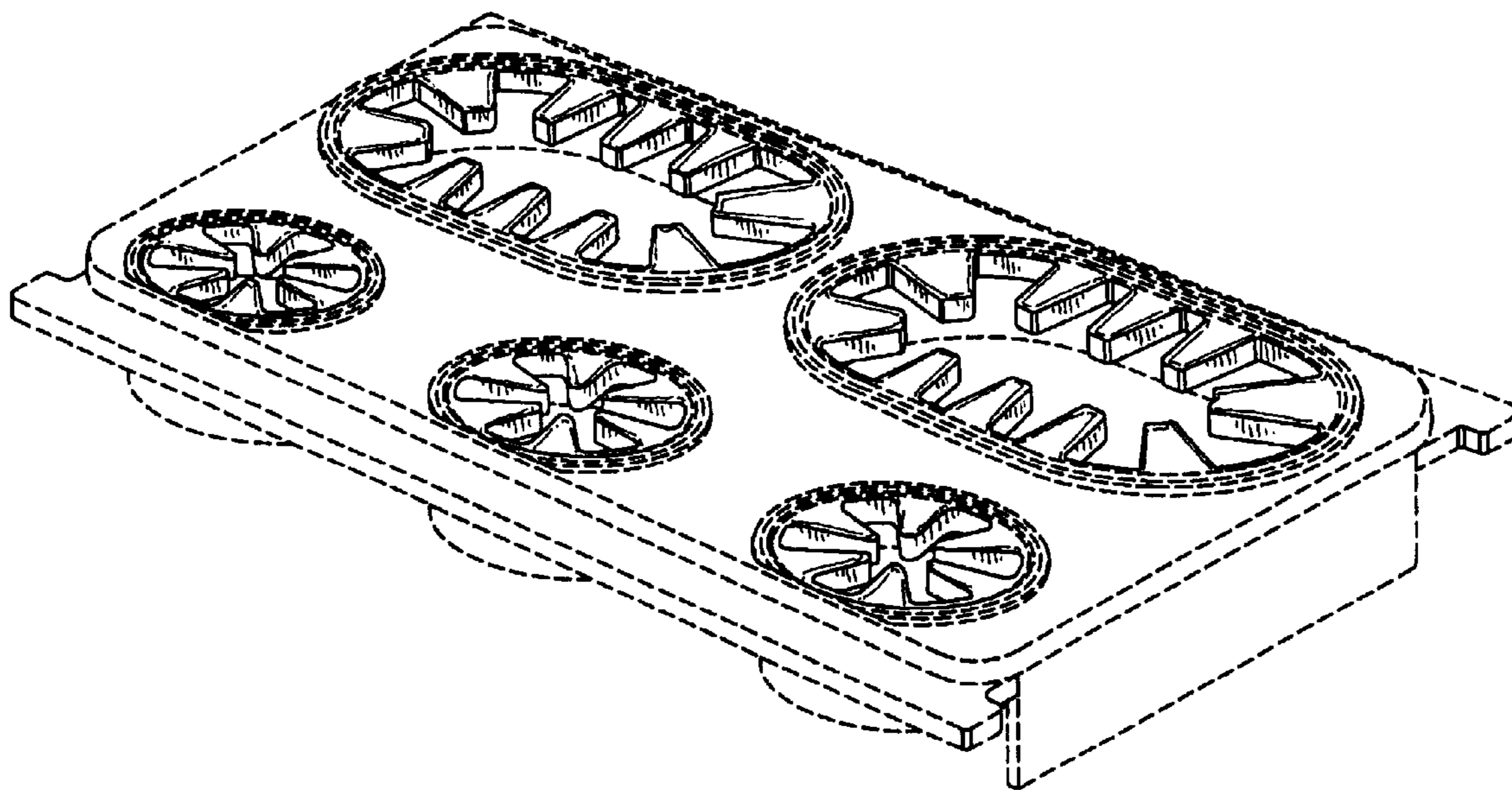
(57) **CLAIM**

The ornamental design for a tool holder, as shown and described.

DESCRIPTION

FIG. 1 is a perspective view of the tool holder according to the invention;
FIG. 2 is a top view of the tool holder; and,
FIG. 3 is a bottom view of the tool holder.
The broken line showing of structure is for illustrative purposes only and forms no part of the claimed design.

1 Claim, 2 Drawing Sheets



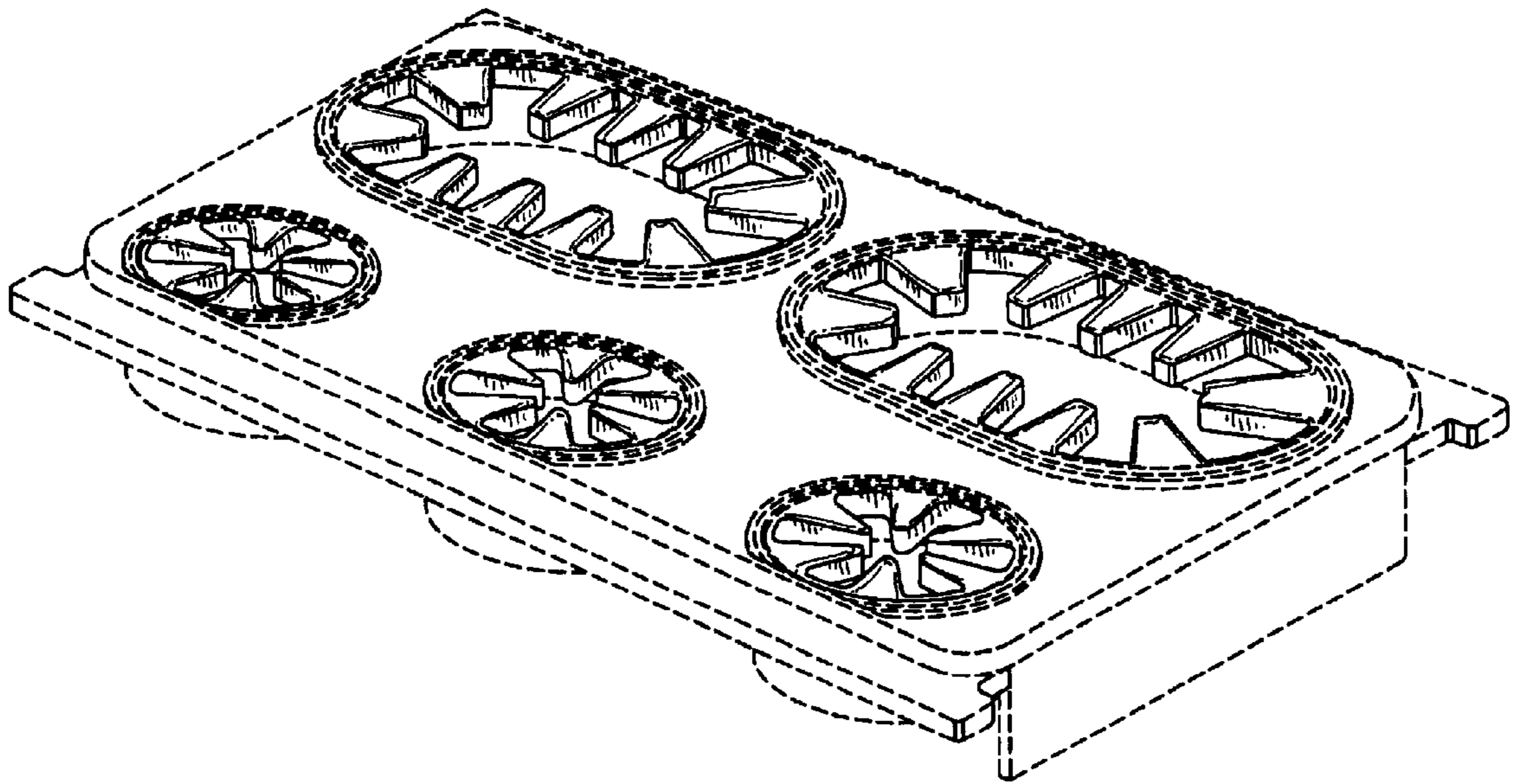


FIG. 1

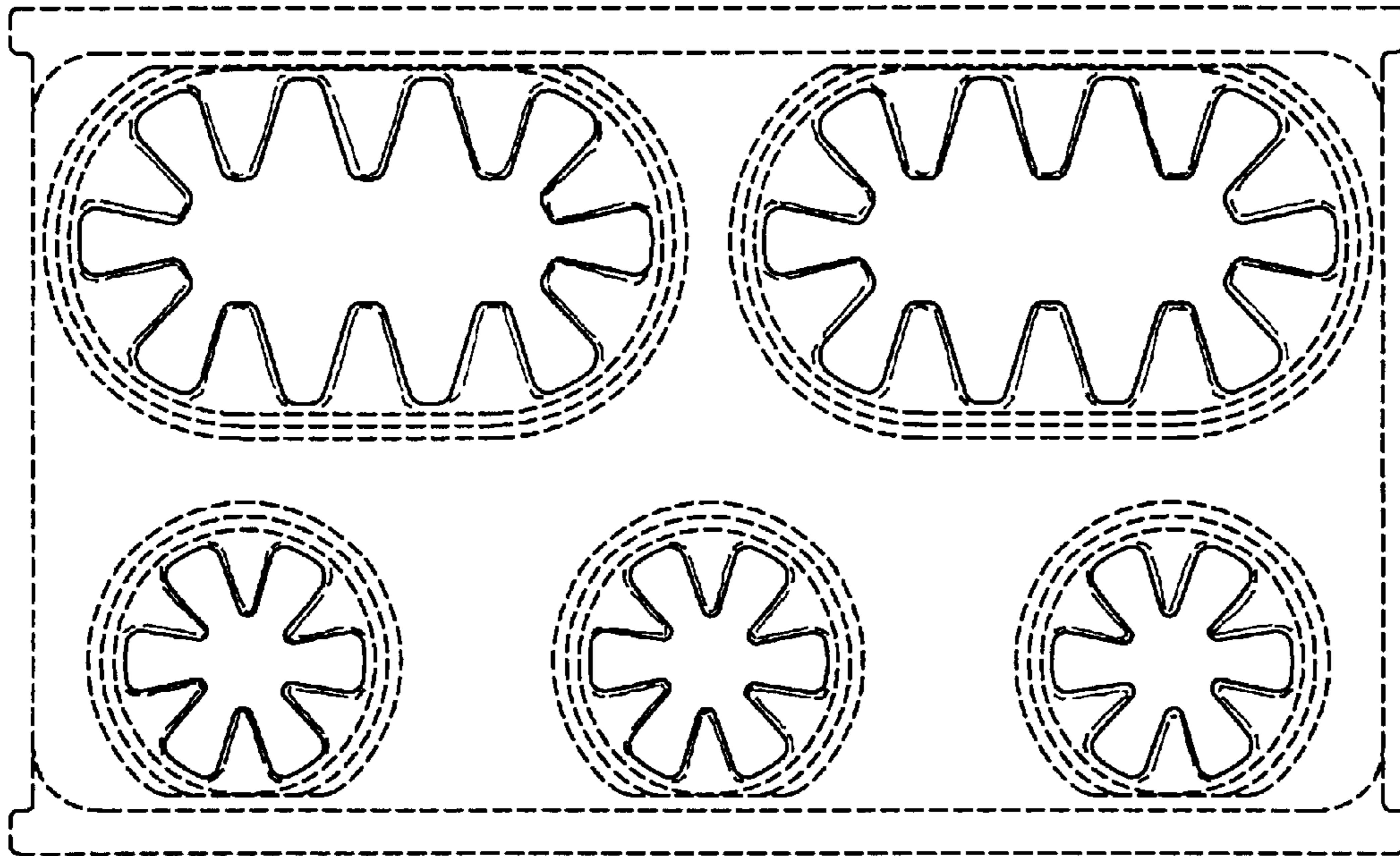


FIG. 2

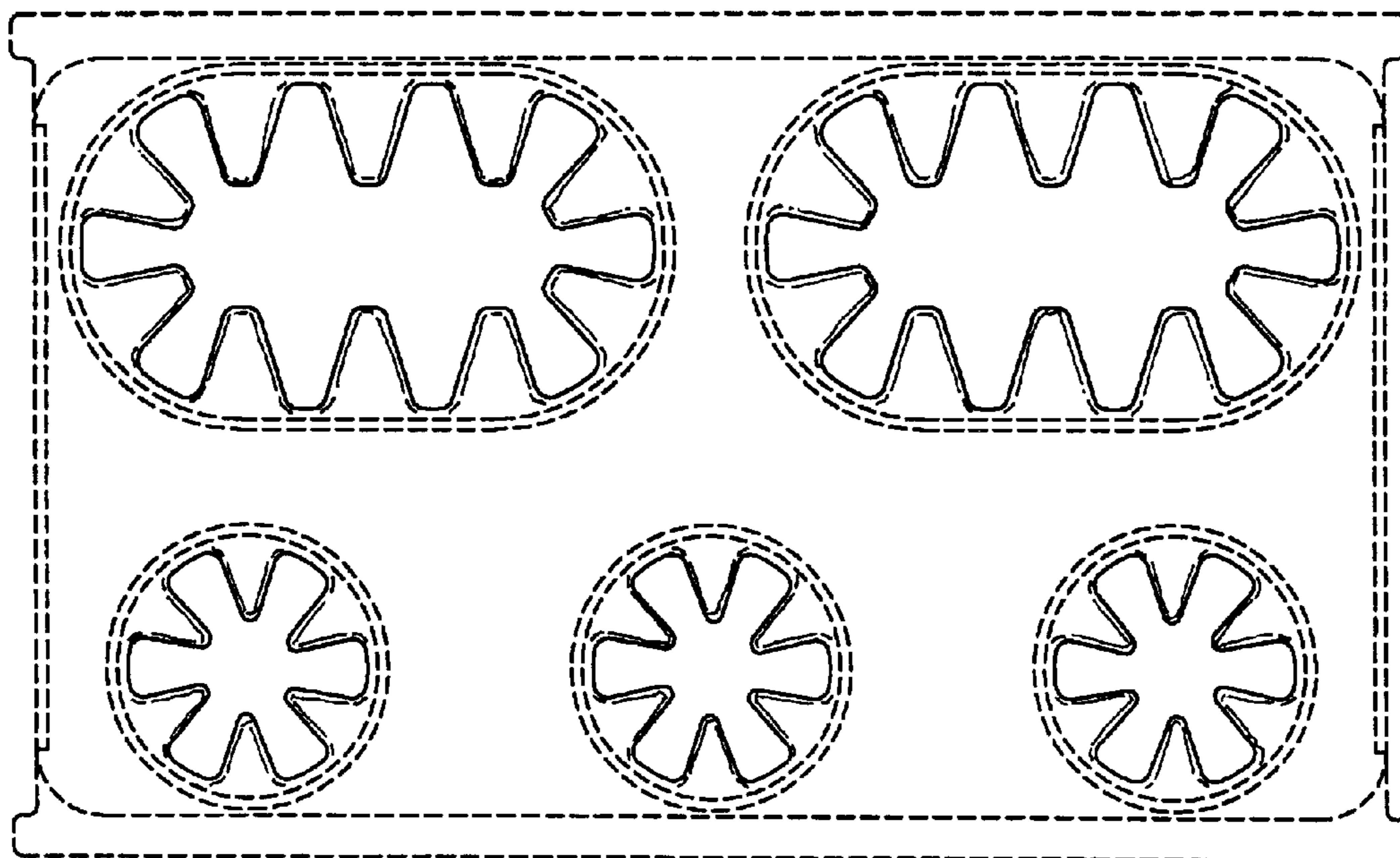


FIG. 3