



US00D482250S

(12) **United States Design Patent**
Vitrac

(10) **Patent No.:** **US D482,250 S**

(45) **Date of Patent:** **** Nov. 18, 2003**

(54) **CORKSCREW**

(75) Inventor: **Jean-Pierre Vitrac, Paris (FR)**

(73) Assignee: **Le Creuset, S.A. (FR)**

(**) Term: **14 Years**

(21) Appl. No.: **29/173,379**

(22) Filed: **Dec. 27, 2002**

(30) **Foreign Application Priority Data**

Jun. 28, 2002 (GB) 3004866

(51) **LOC (7) Cl.** **07-99**

(52) **U.S. Cl.** **D8/39**

(58) **Field of Search** D8/33-43; 7/151-156;
30/400-450; 81/3.07-3.49

(56) **References Cited**

U.S. PATENT DOCUMENTS

4,253,351 A	*	3/1981	Allen	81/3.29
D430,994 S	*	9/2000	Kilduff	D8/39
D442,043 S	*	5/2001	Kao	D8/39
D444,045 S	*	6/2001	Kay	D8/39

D446,098 S	*	8/2001	Kilduff	D8/39
D455,058 S	*	4/2002	Stirling	D8/39
D465,710 S	*	11/2002	Kao	D8/39
D467,479 S	*	12/2002	Li	D8/39
D468,602 S	*	1/2003	Yu	D8/39
D471,777 S	*	3/2003	Yu	D8/39

* cited by examiner

Primary Examiner—Caron D. Veynar

(74) *Attorney, Agent, or Firm*—Andrews & Kurth, LLP;
Gary L. Bush, Esq.

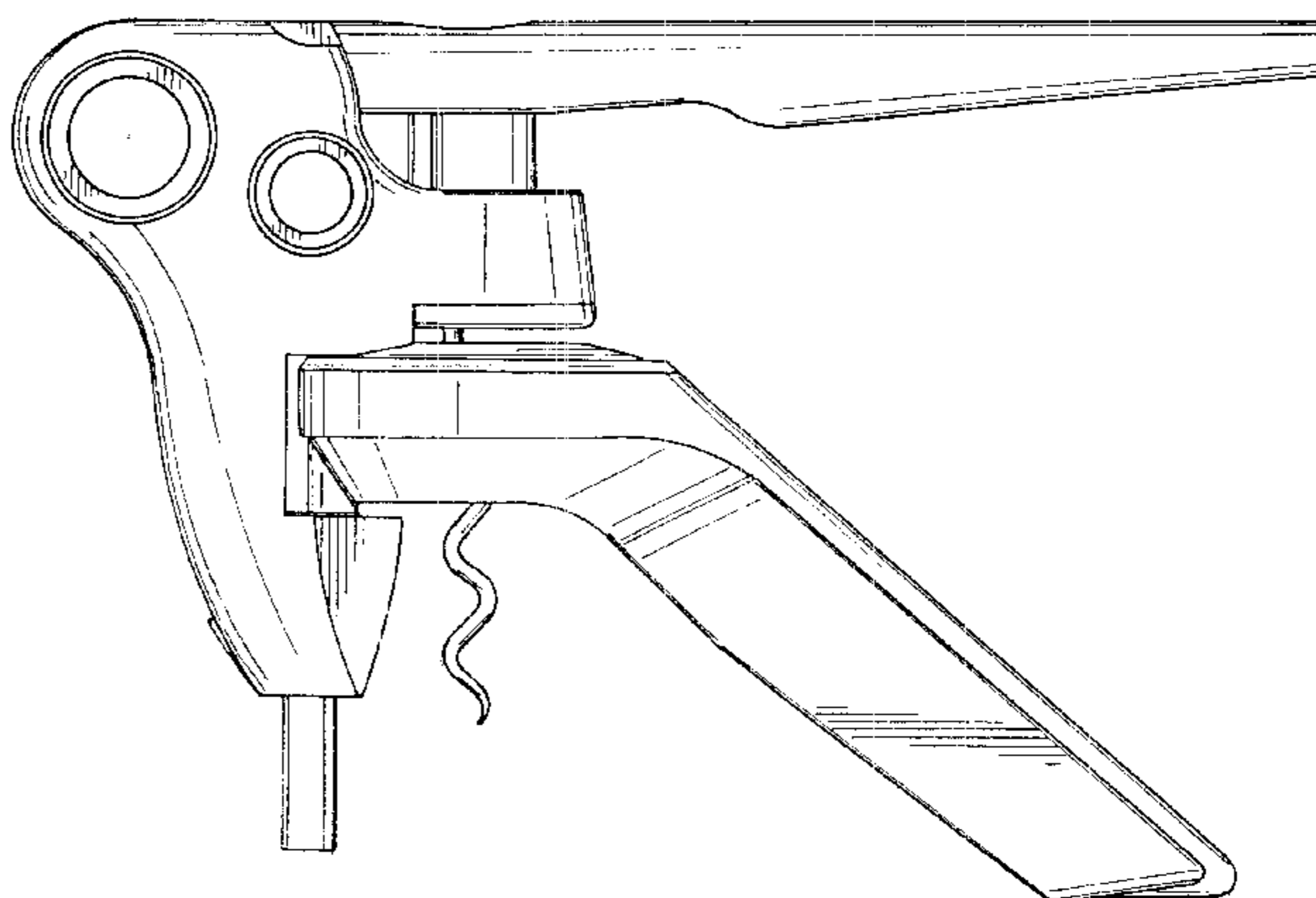
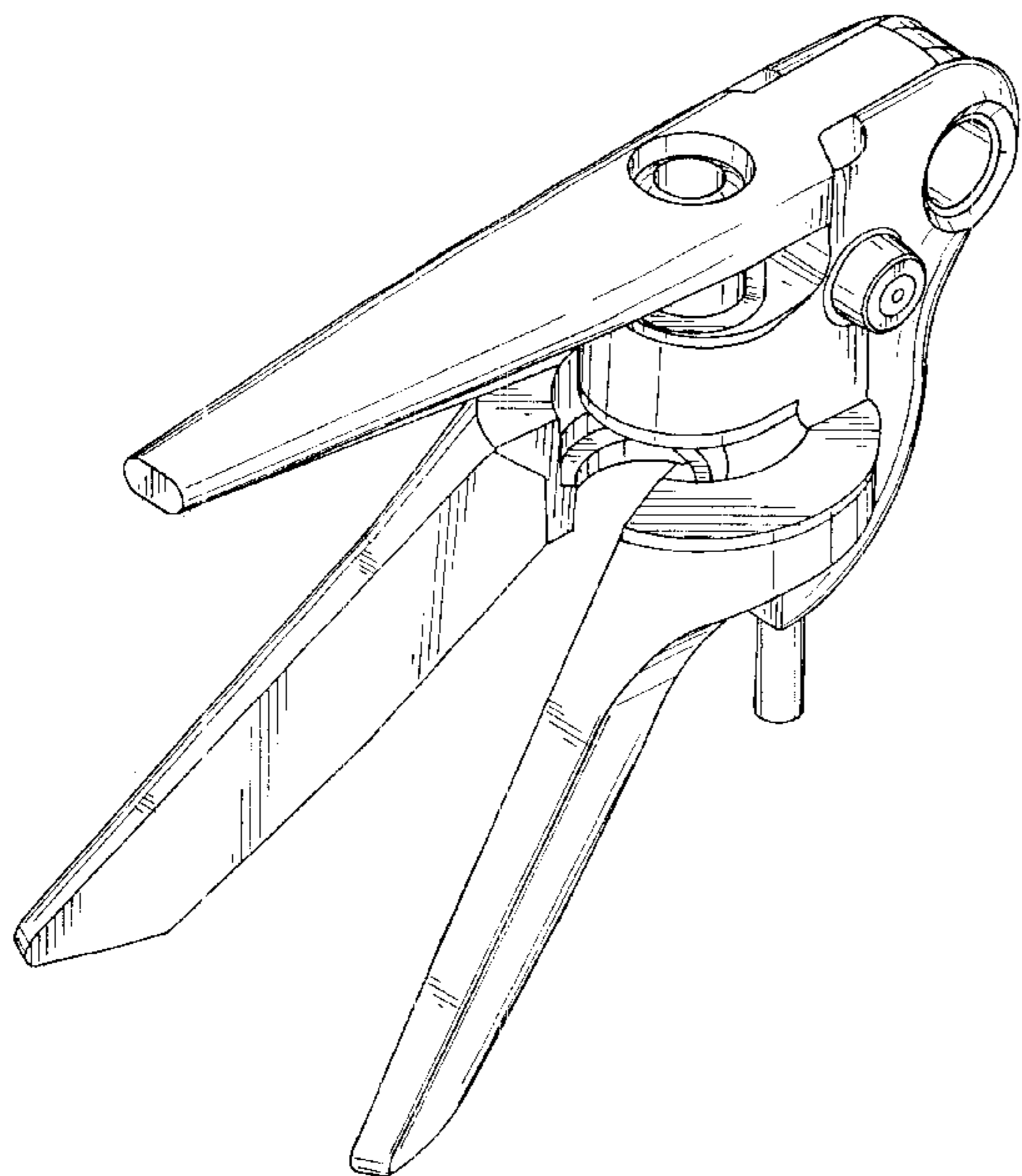
(57) **CLAIM**

The ornamental design for a corkscrew, as shown and described.

DESCRIPTION

FIG. 1 is perspective view of a corkscrew showing my new design;
FIG. 2 is a front view thereof;
FIG. 3 is a side view thereof;
FIG. 4 is a top view thereof;
FIG. 5 is a back view thereof; and,
FIG. 6 is a bottom view thereof.

1 Claim, 3 Drawing Sheets



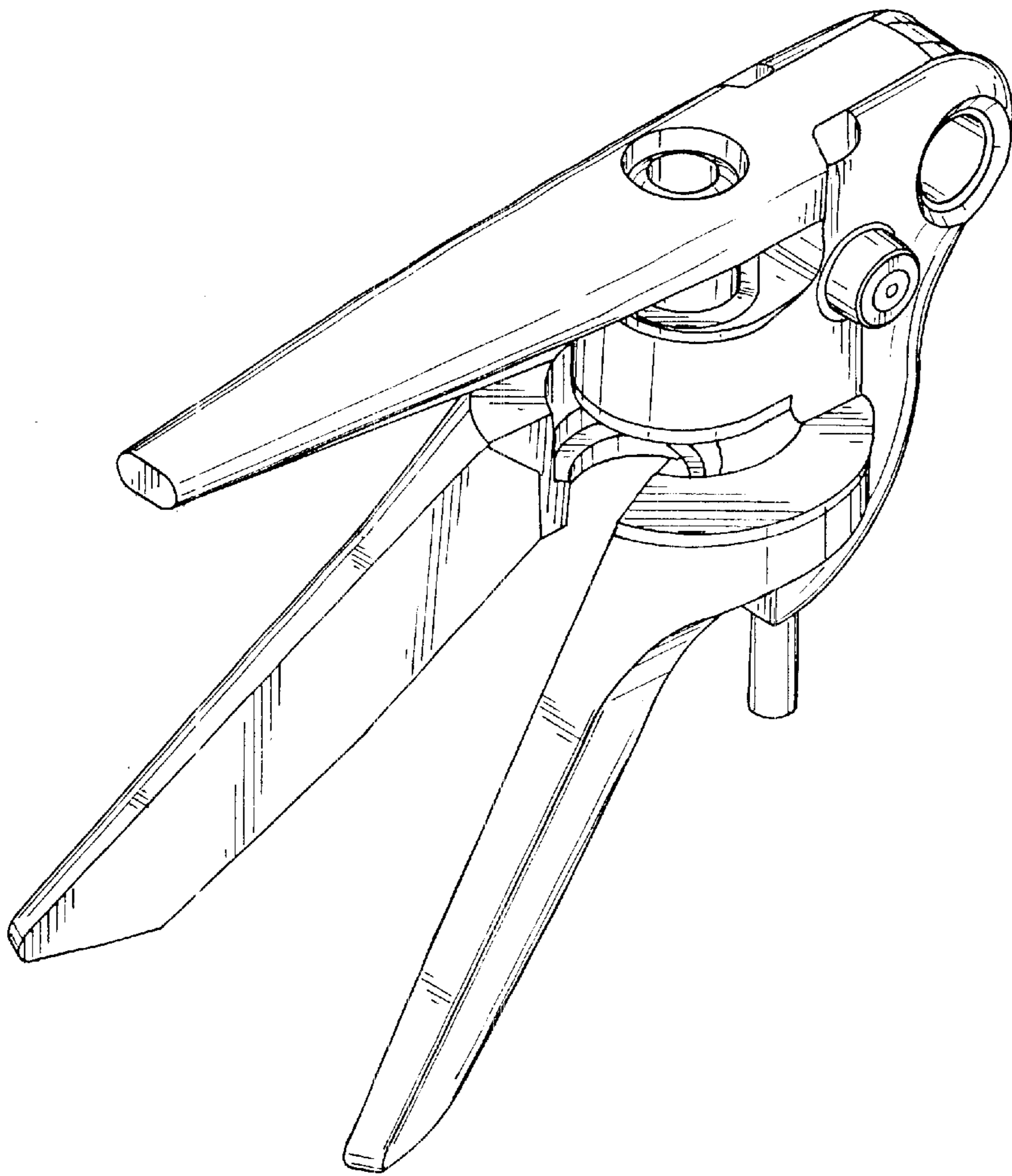


FIG. 1

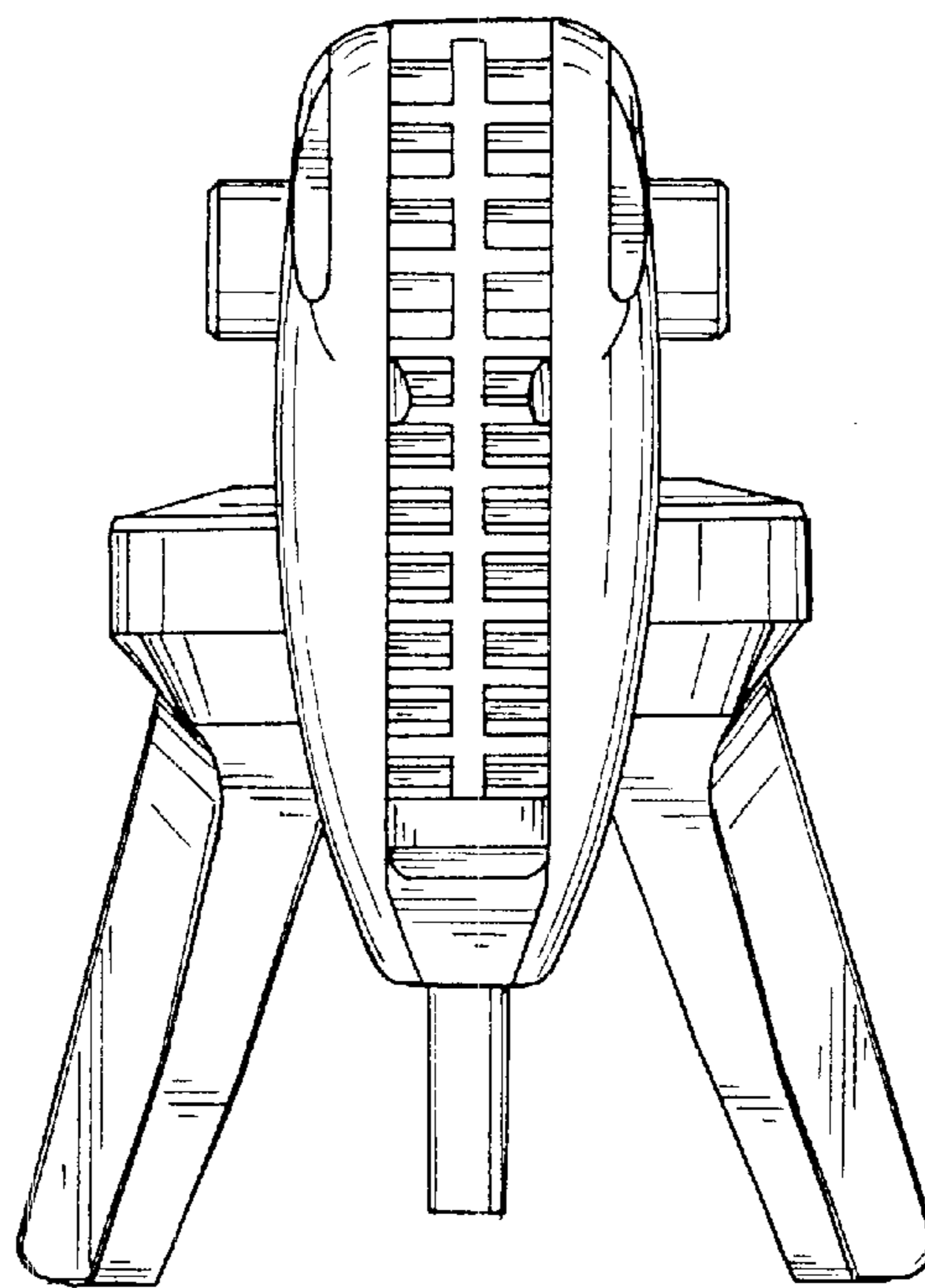


FIG. 2

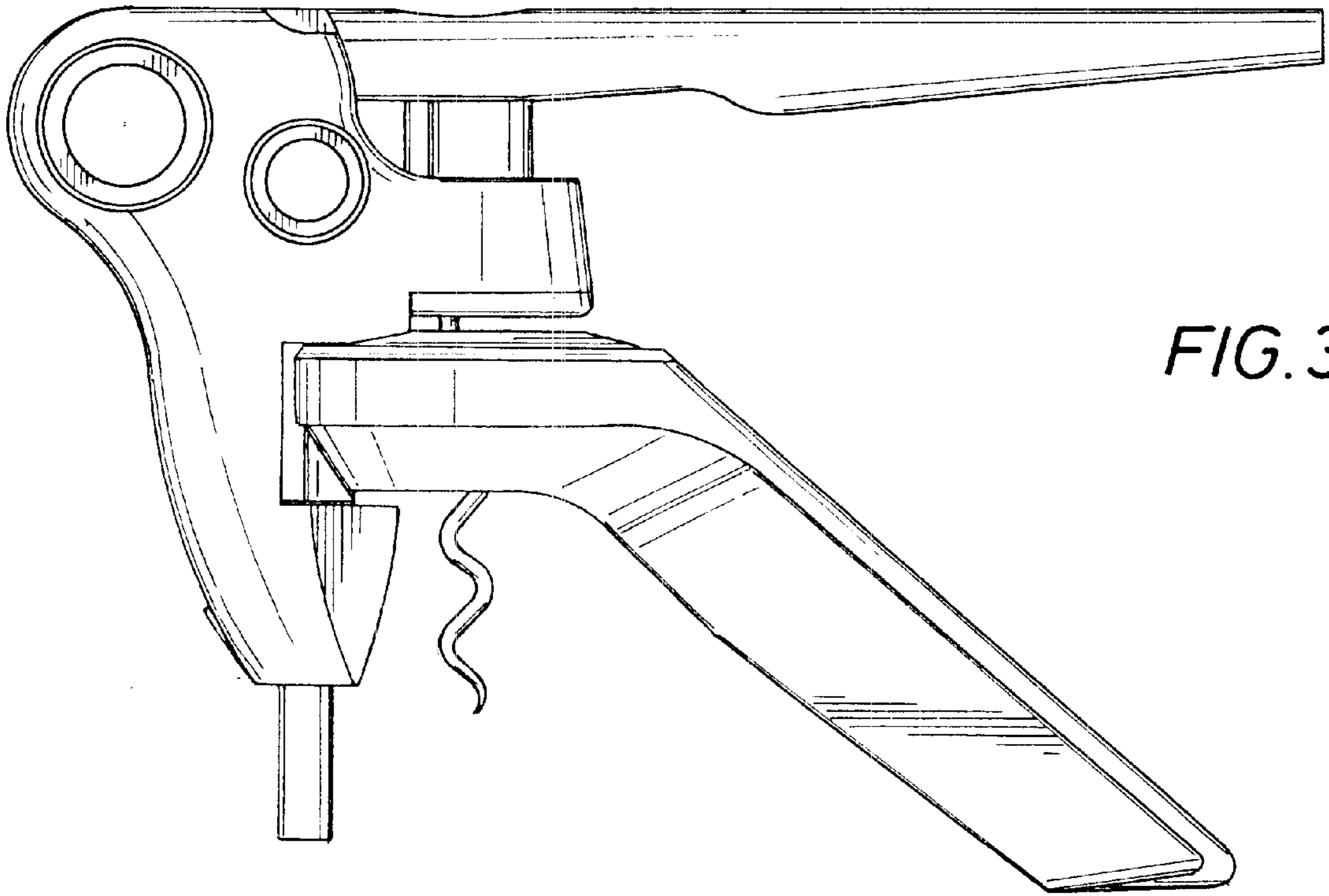


FIG. 3

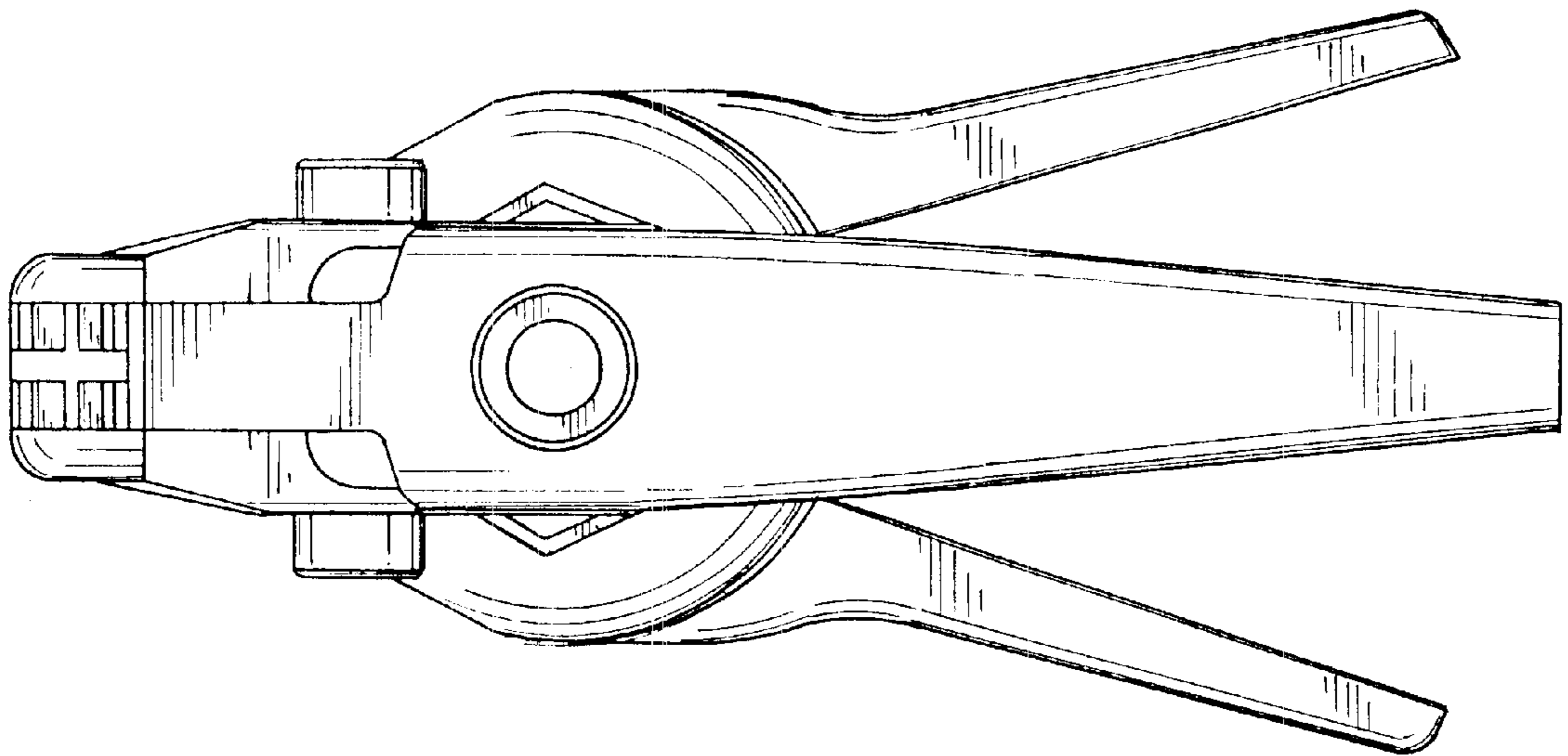


FIG. 4

FIG. 5

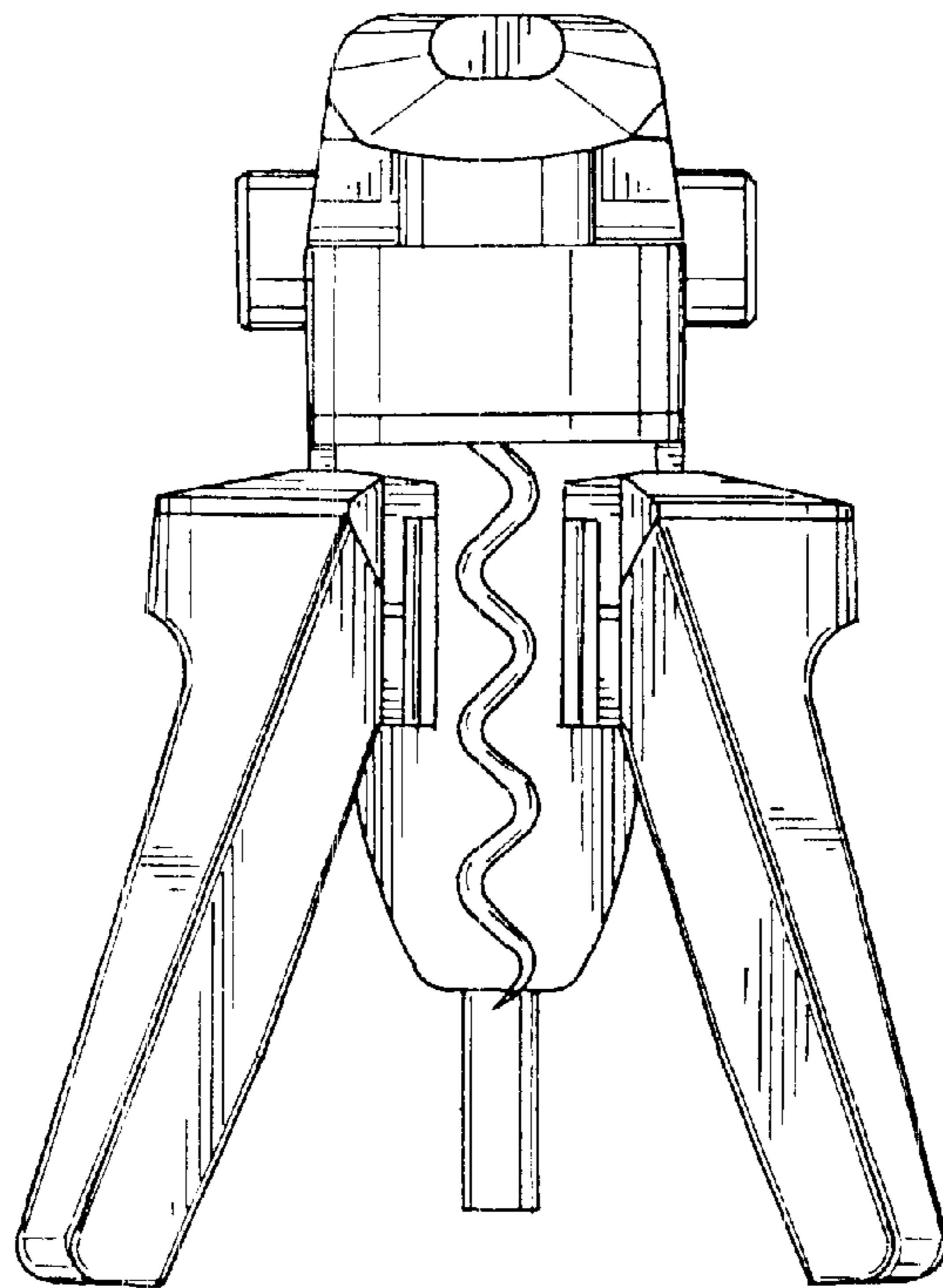


FIG. 6

