



US00D482246S

(12) **United States Design Patent**  
**Smekh**

(10) **Patent No.:** **US D482,246 S**

(45) **Date of Patent:** **\*\* Nov. 18, 2003**

(54) **CUTLERY CAROUSEL**

(76) Inventor: **Oleg A. Smekh**, 15032 Moorpark St.  
#8, Sherman Oaks, CA (US) 91403

(\*\*) Term: **14 Years**

(21) Appl. No.: **29/172,572**

(22) Filed: **Dec. 12, 2002**

(51) **LOC (7) Cl.** ..... **07-07**

(52) **U.S. Cl.** ..... **D7/641**

(58) **Field of Search** ..... D7/637-641; D19/75,  
D19/77, 78, 81, 84; 211/13.1, 70, 70.6,  
70.7, 69.1-69.5; 248/37.3, 37.6; 269/16,  
289 R

(56) **References Cited**

**U.S. PATENT DOCUMENTS**

4,509,651 A	*	4/1985	Prindle	.....	211/70.6
D331,863 S	*	12/1992	Ancona et al.	.....	D7/641
D332,802 S	*	1/1993	Greenhut et al.	.....	D19/77
D332,969 S	*	2/1993	Ancona et al.	.....	D19/77
D364,189 S	*	11/1995	Trombly	.....	D19/77
D380,353 S	*	7/1997	Cohen et al.	.....	D7/641

\* cited by examiner

*Primary Examiner*—Terry A. Wallace

(74) *Attorney, Agent, or Firm*—Kelly Bauersfeld Lowry & Kelley, LLP

(57) **CLAIM**

The ornamental design for a cutlery carousel, as shown and described.

**DESCRIPTION**

FIG. 1 is a top, front, and right side perspective view of a cutlery carousel showing my new design, the utensils are shown in broken lines for illustrative purposes only and form no part of the claimed design;

FIG. 2 is a rear elevational view thereof;

FIG. 3 is a left side elevational view thereof;

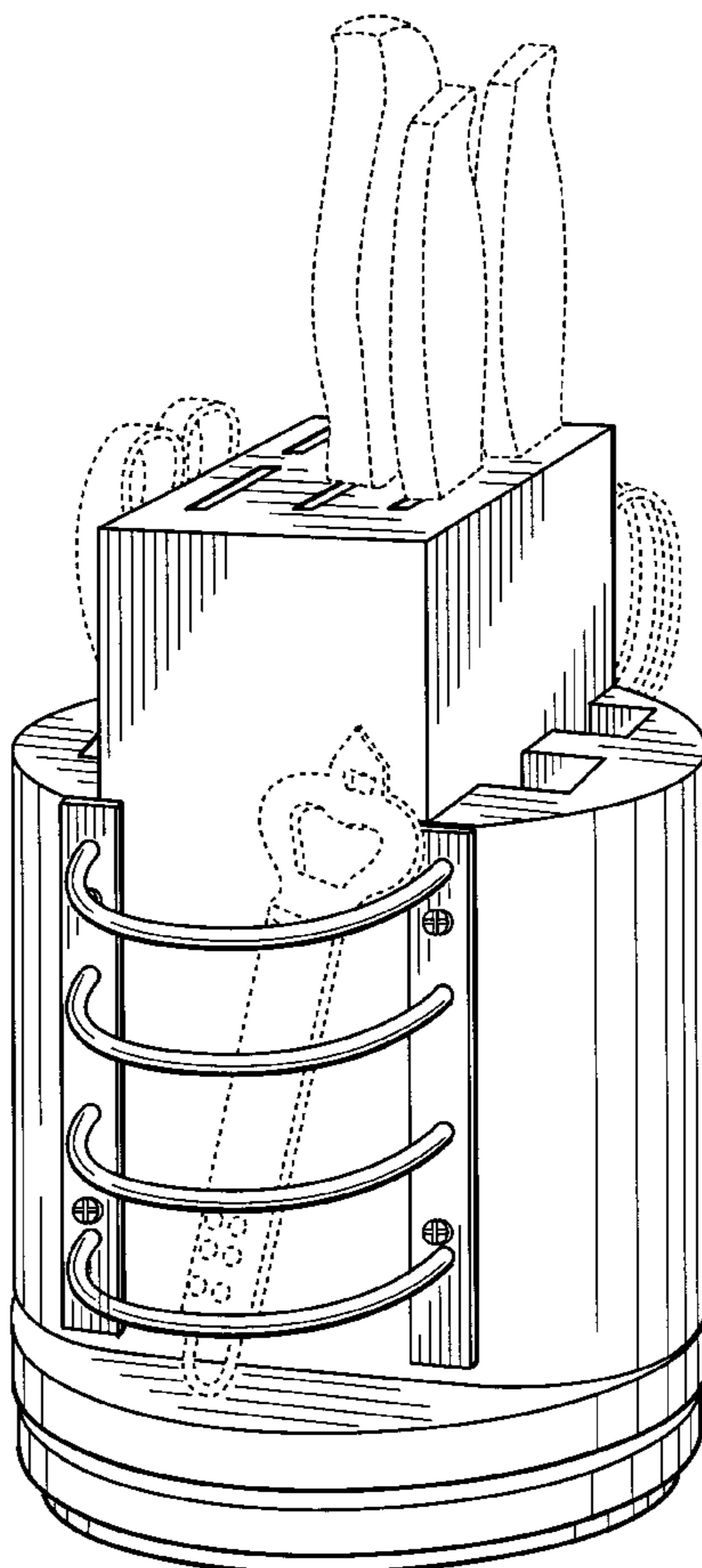
FIG. 4 is a top plan view thereof;

FIG. 5 is a bottom plan view thereof;

FIG. 6 is a top, front and right side perspective view of an alternate embodiment of FIG. 1, the difference being the change in the slot areas on the side portions, the utensils are shown in broken lines for illustrative purposes only and form no part of the claimed design; and,

FIG. 7 is a top plan view of FIG. 6.

**1 Claim, 4 Drawing Sheets**



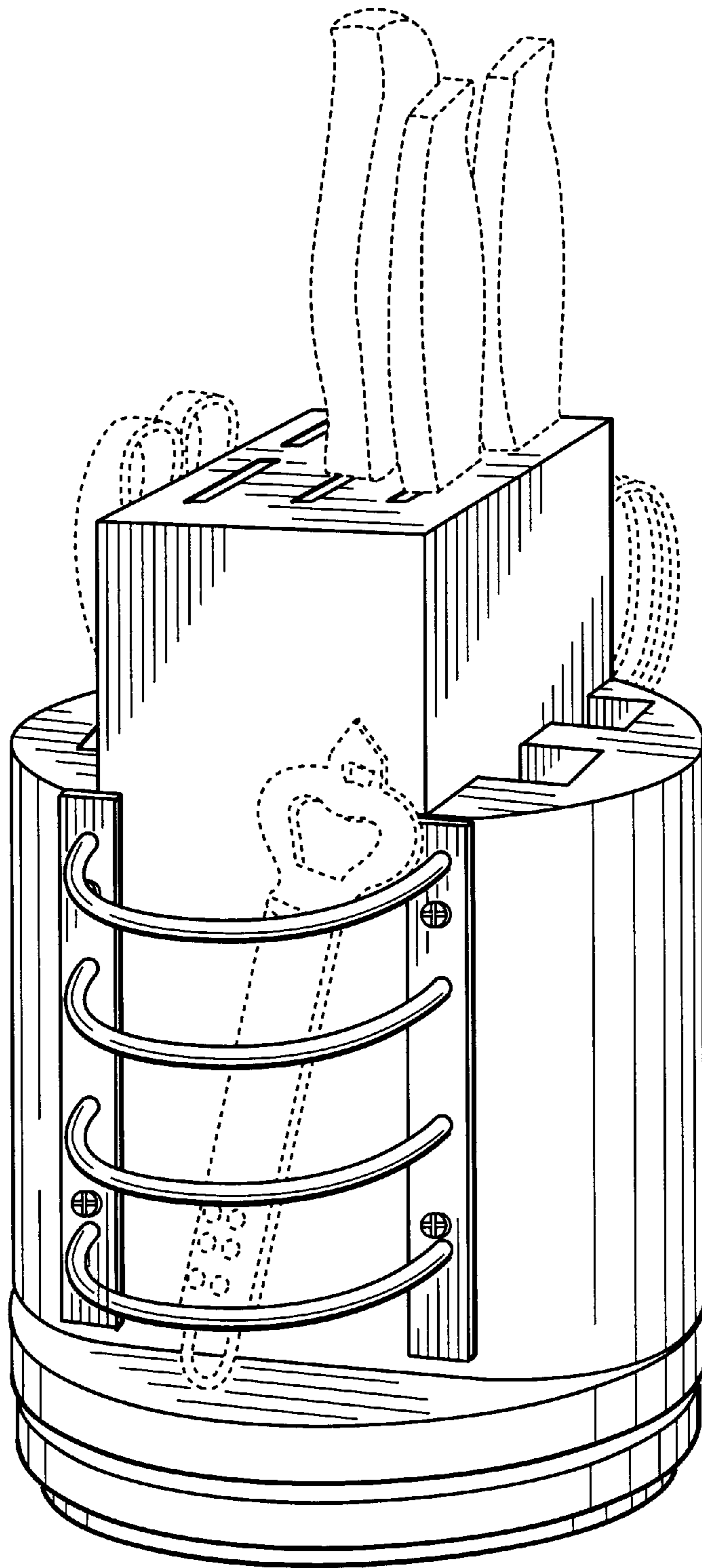


FIG. 1

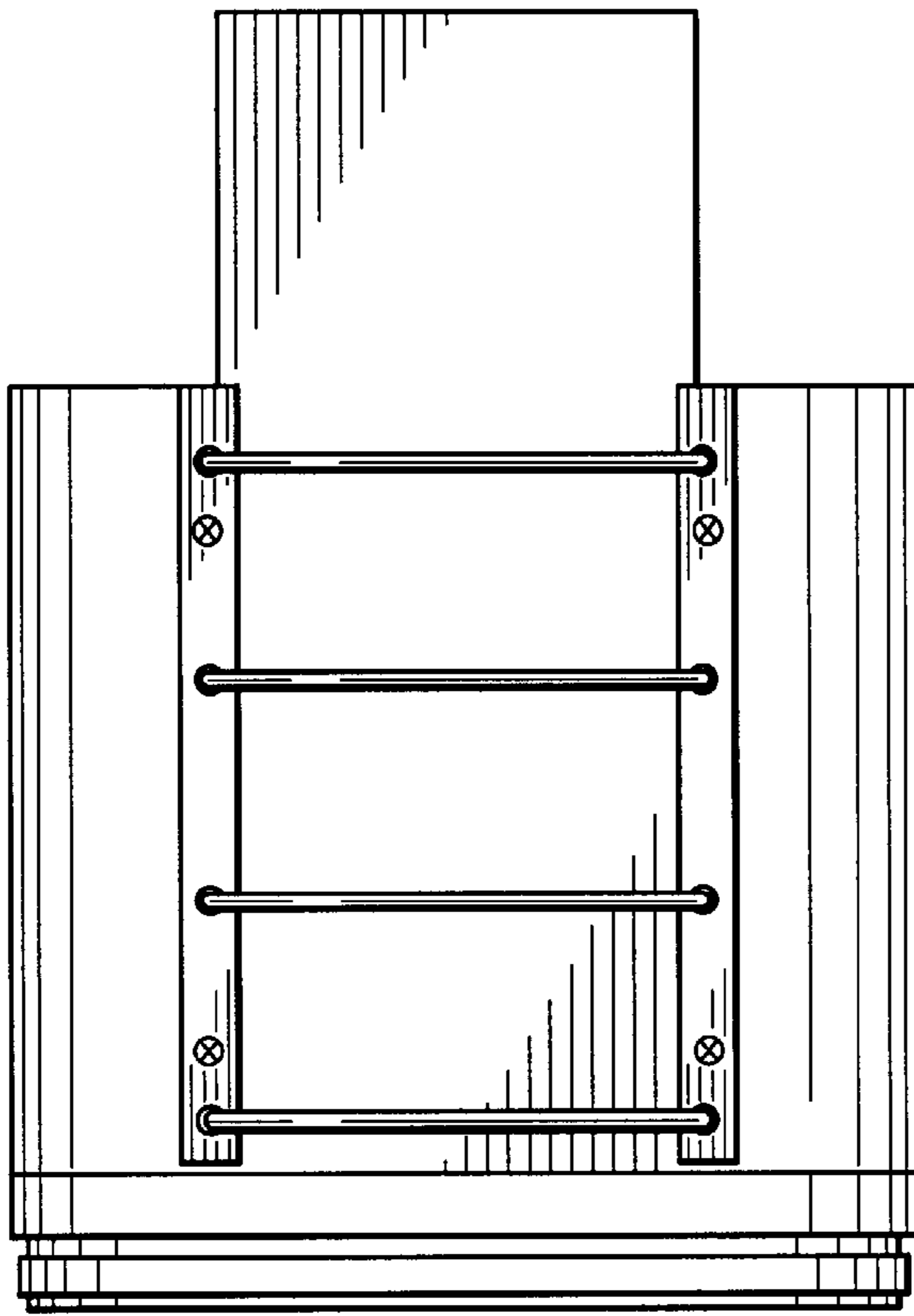


FIG. 2

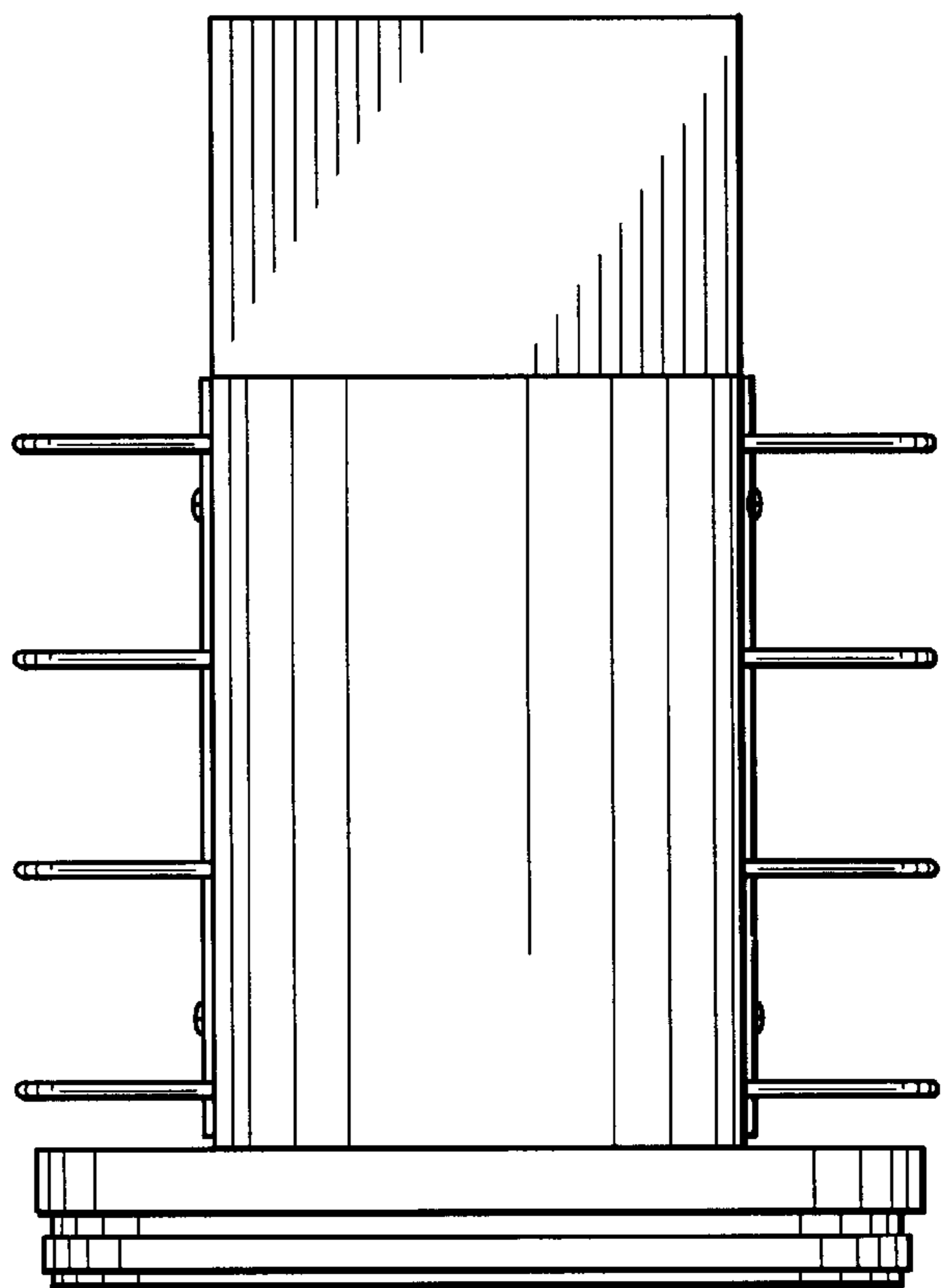


FIG. 3

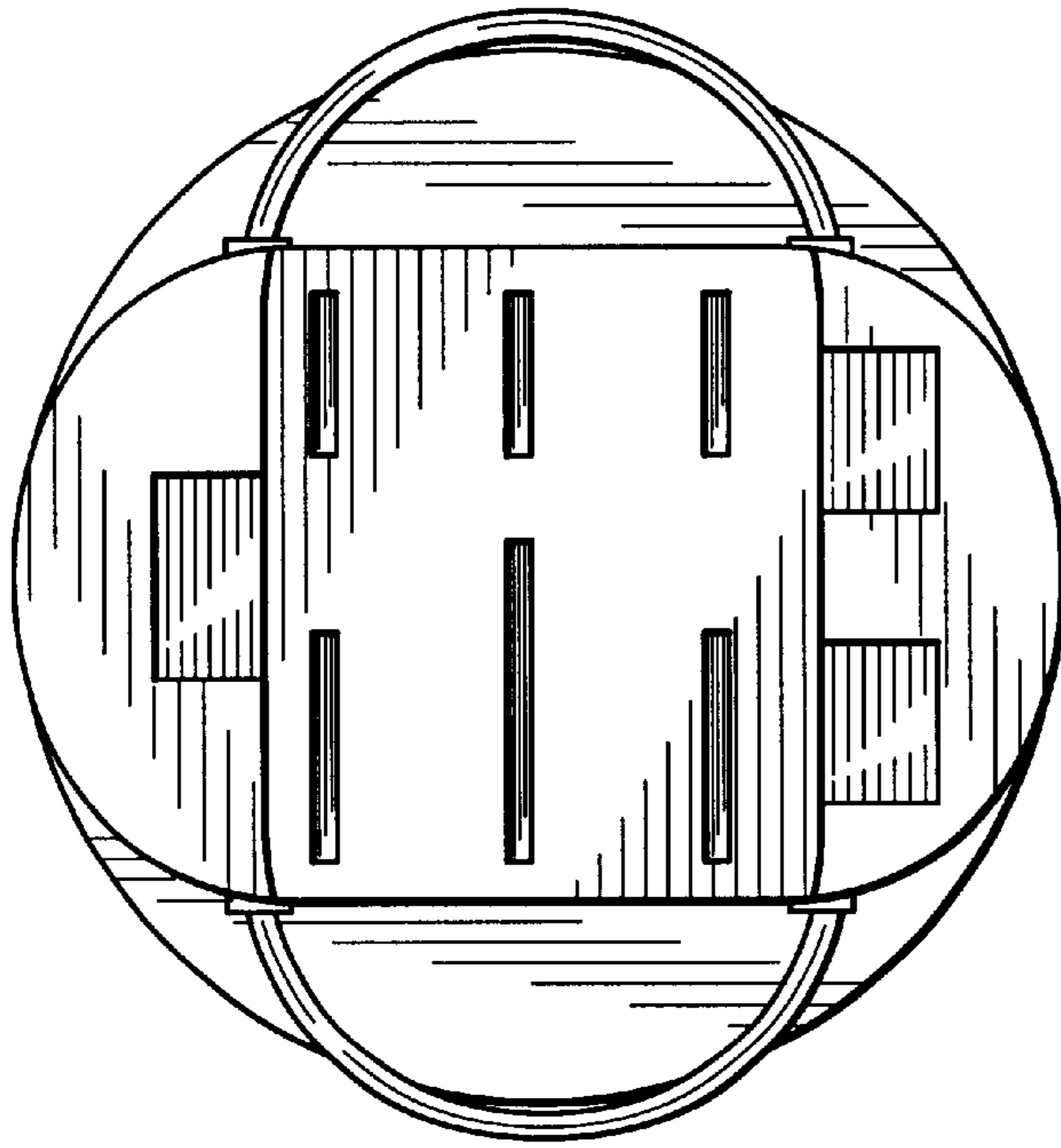


FIG. 4

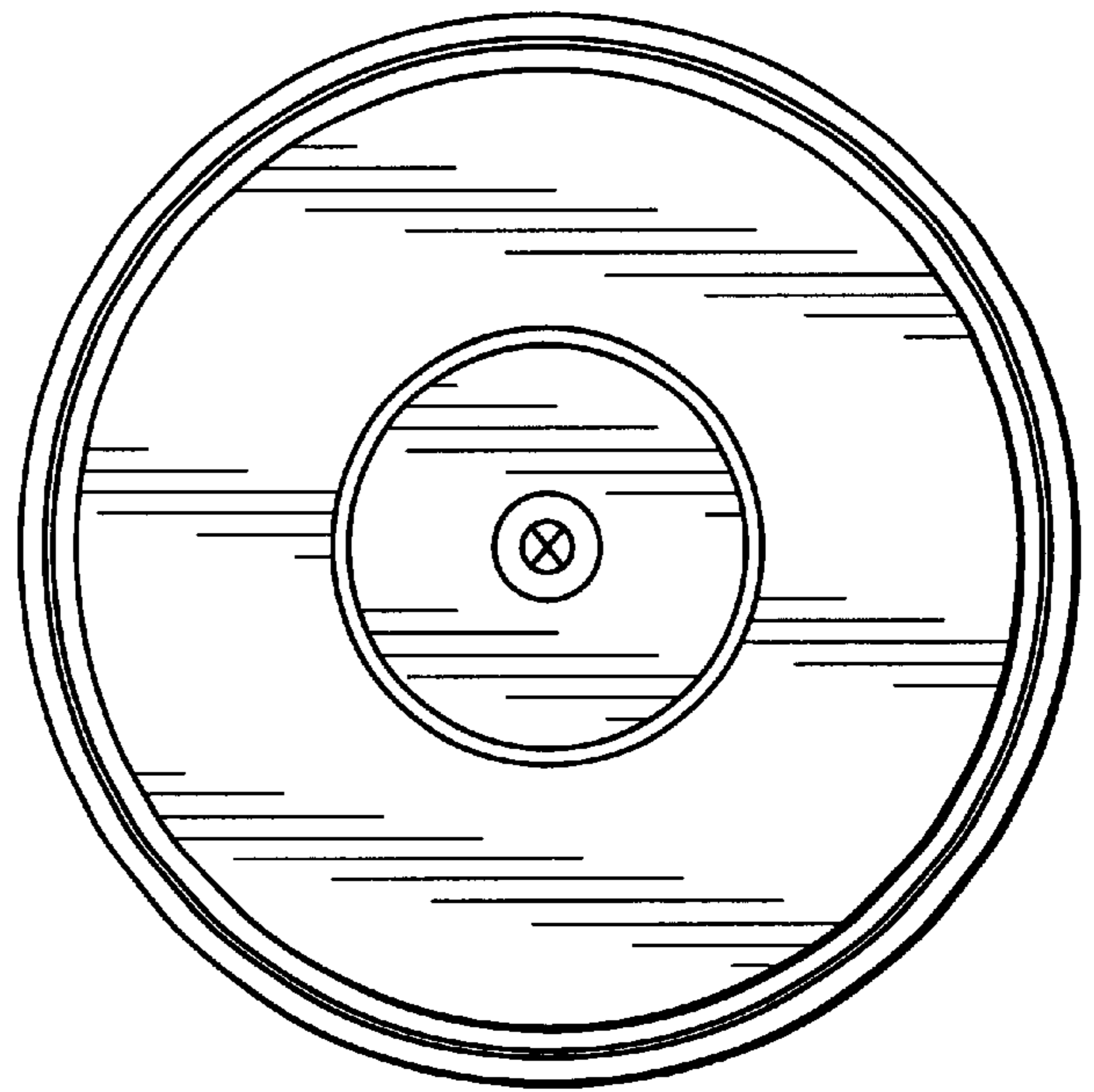


FIG. 5

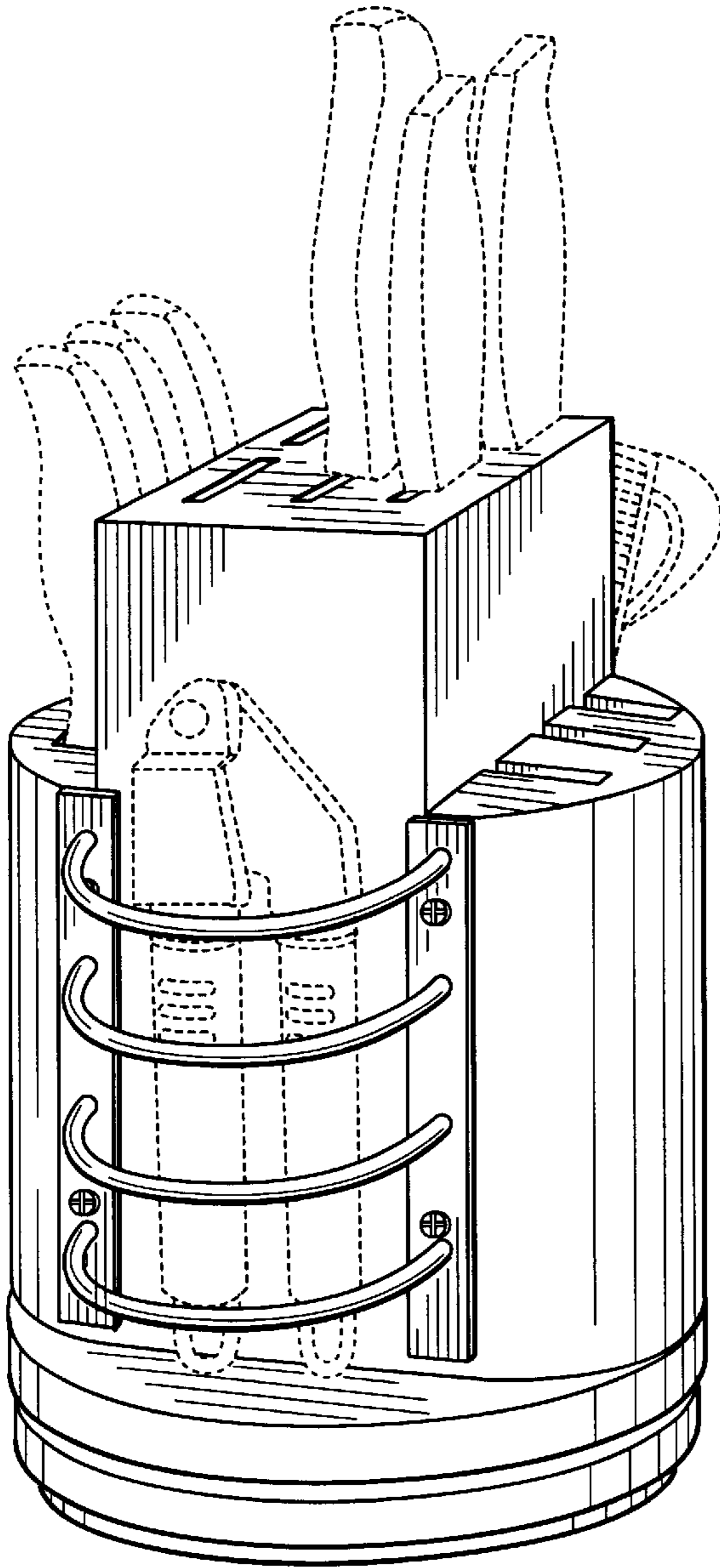


FIG. 6

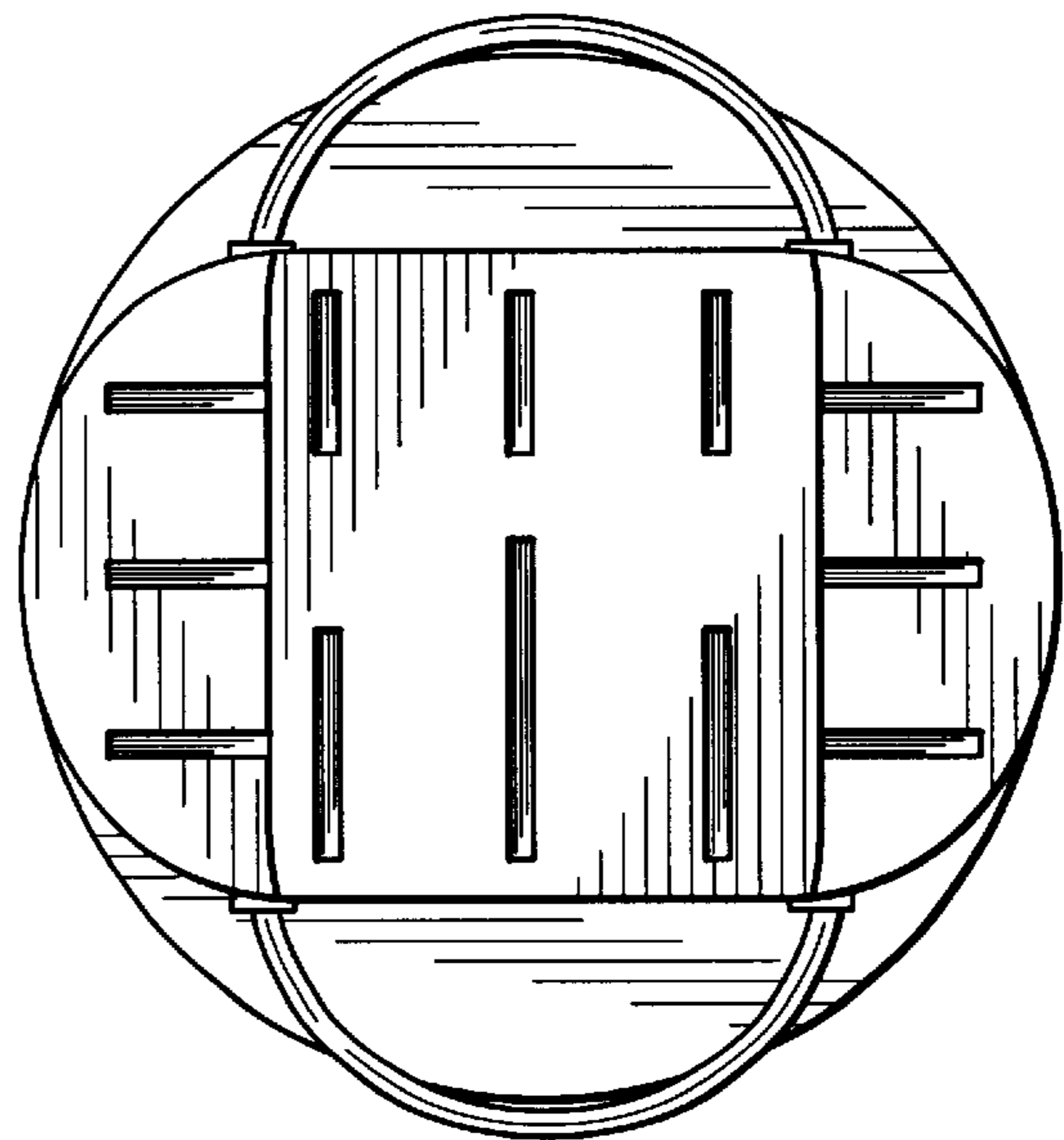


FIG. 7