



US00D482244S

(12) **United States Design Patent**  
**Yamane**

(10) **Patent No.:** **US D482,244 S**

(45) **Date of Patent:** **\*\* Nov. 18, 2003**

(54) **CLOTH BOTTLE COVER WITH TRAINER DESIGN**

JP 14 1140786 S 3/2002

\* cited by examiner

(75) Inventor: **Yusaku Yamane**, Kobe (JP)

*Primary Examiner*—Terry A. Wallace

(73) Assignee: **Felissimo Corp.**, Kobe (JP)

(74) *Attorney, Agent, or Firm*—Hughes Hubbard & Reed LLP; Ronald Abramson; Sheryl L. Sandridge

(\*\*) Term: **14 Years**

(57) **CLAIM**

(21) Appl. No.: **29/157,392**

I claim the ornamental design for a cloth bottle cover with trainer design, as shown and described.

(22) Filed: **Mar. 15, 2002**

**DESCRIPTION**

(51) **LOC (7) Cl.** ..... **07-06**

(52) **U.S. Cl.** ..... **D7/625; D2/828**

(58) **Field of Search** ..... D7/624, 625; D9/444; D2/828, 830–832, 839, 741, 719, 725, 745, 746; 428/7, 35.7, 35.8, 36.1, 36.5

FIG. 1 shows a front isometric view of one configuration of the trainer cloth bottle cover according to the invention.

FIG. 2 is a front view of the trainer cloth bottle cover according to the invention.

FIG. 3 is a back view of a trainer cloth bottle cover according to the invention.

FIG. 4 is a left side view of a trainer cloth bottle cover according to the invention.

FIG. 5 is a top view of a trainer cloth bottle cover according to the invention; and,

FIG. 6 is a bottom view of a trainer cloth bottle cover according to the invention.

The broken lines are for illustrative purposes only and form no part of the claimed design.

(56) **References Cited**

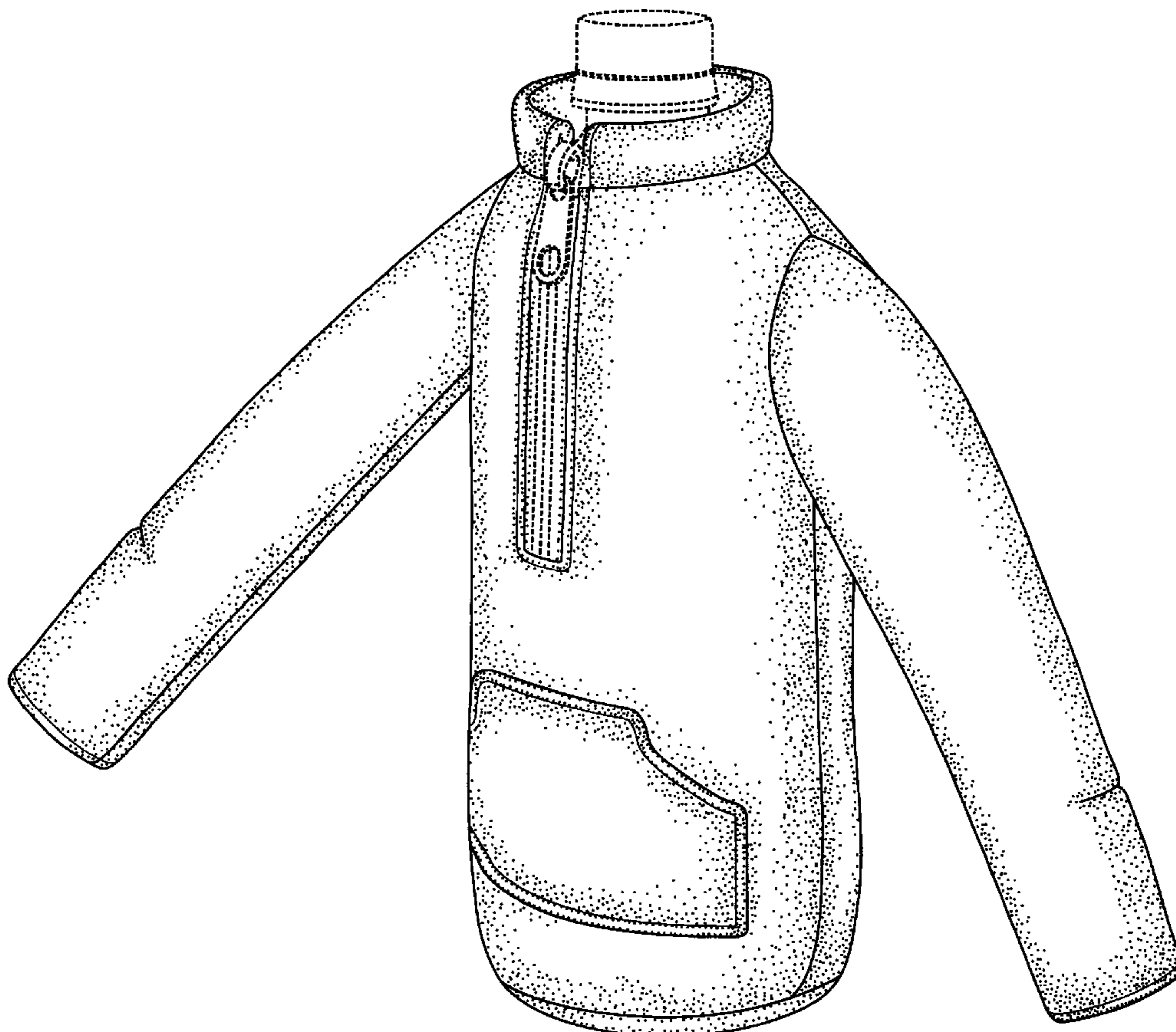
**U.S. PATENT DOCUMENTS**

D139,535 S \* 11/1944 Bauer ..... D2/831  
4,867,214 A \* 9/1989 Fuller ..... 428/35.8

**FOREIGN PATENT DOCUMENTS**

JP 13 1131830 S 11/2001  
JP 13 1131995 S 11/2001  
JP 13 1131996 S 11/2001  
JP 13 1131997 S 11/2001

**1 Claim, 5 Drawing Sheets**



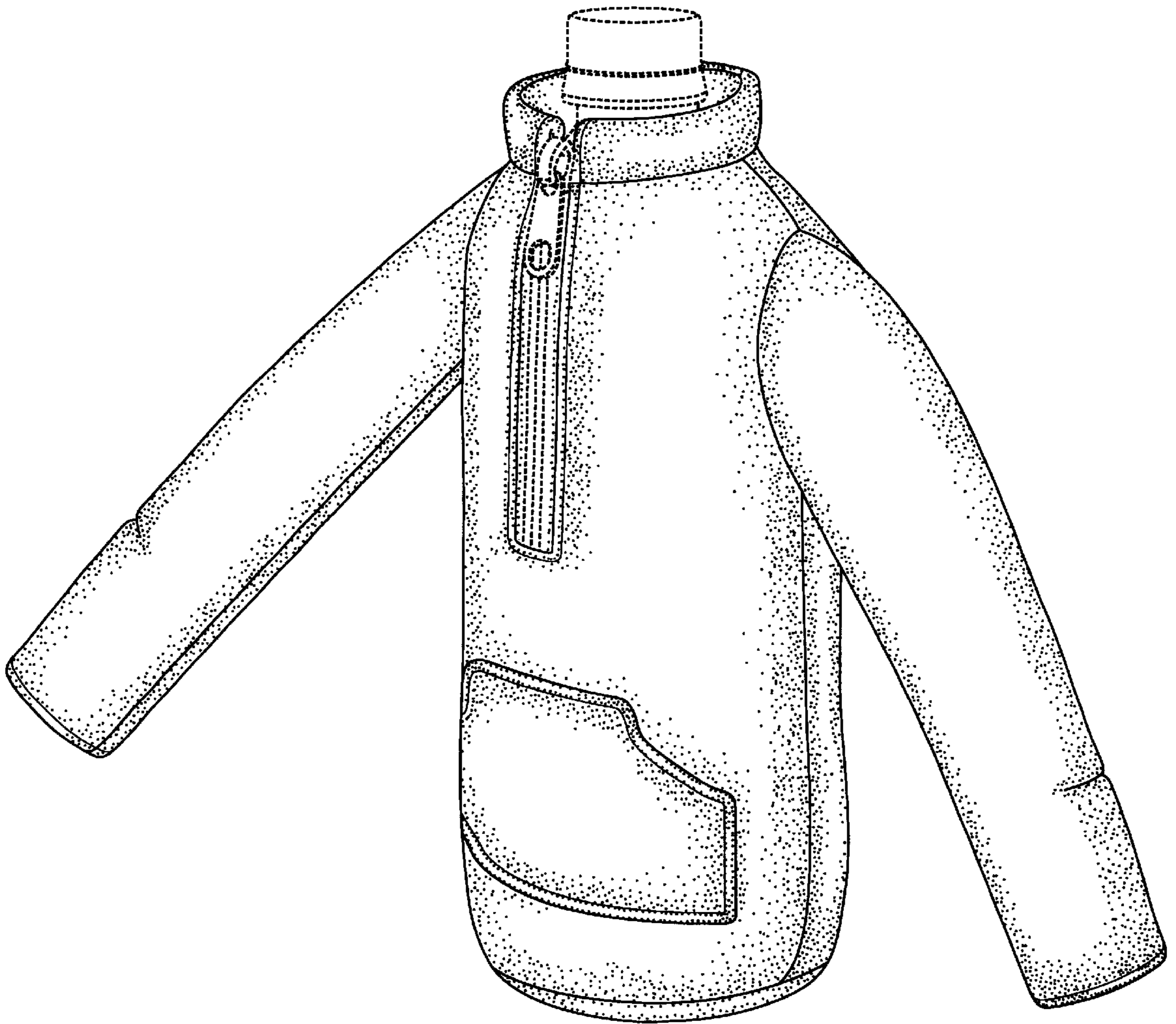


FIG. 1

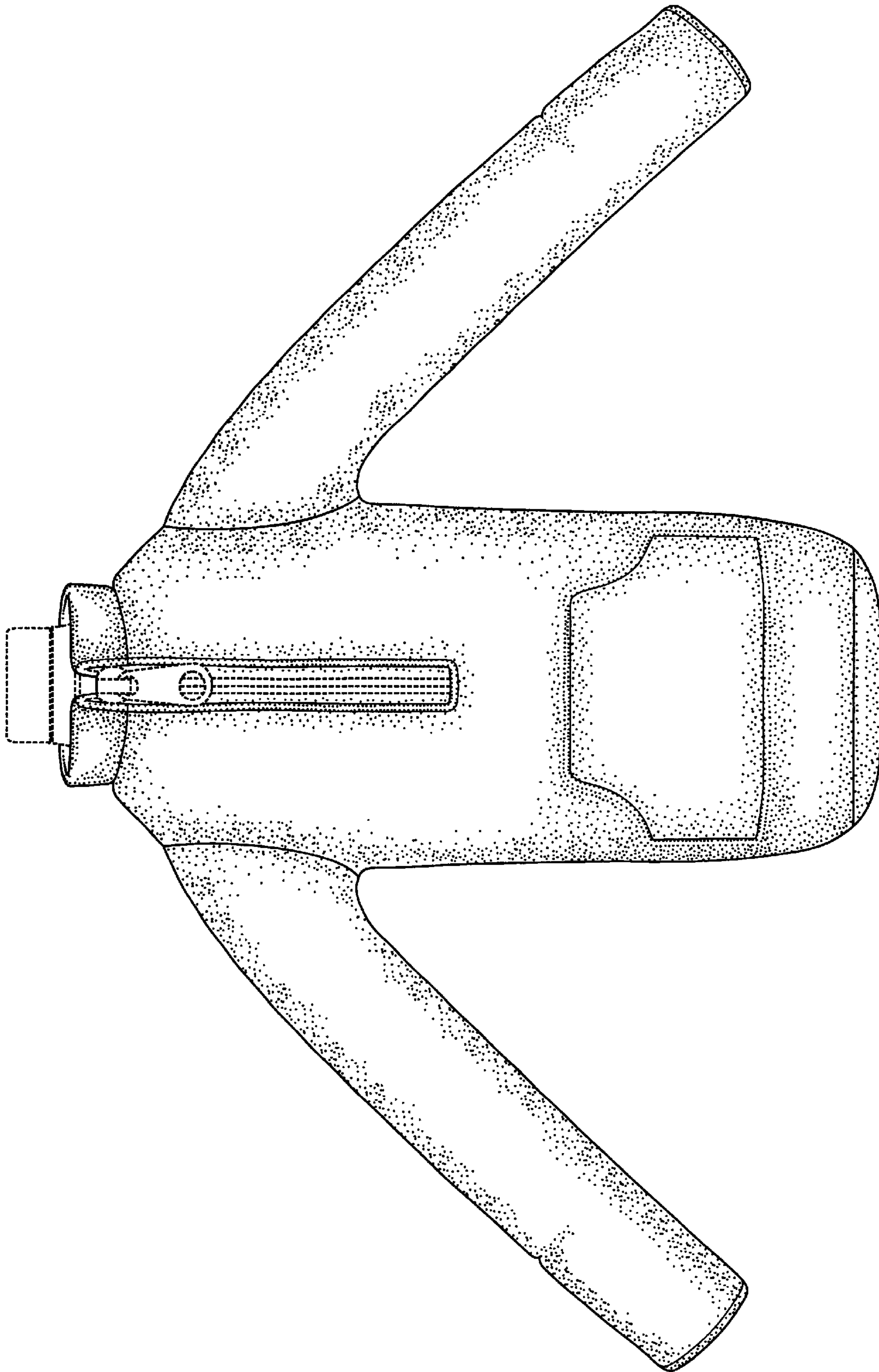


FIG. 2

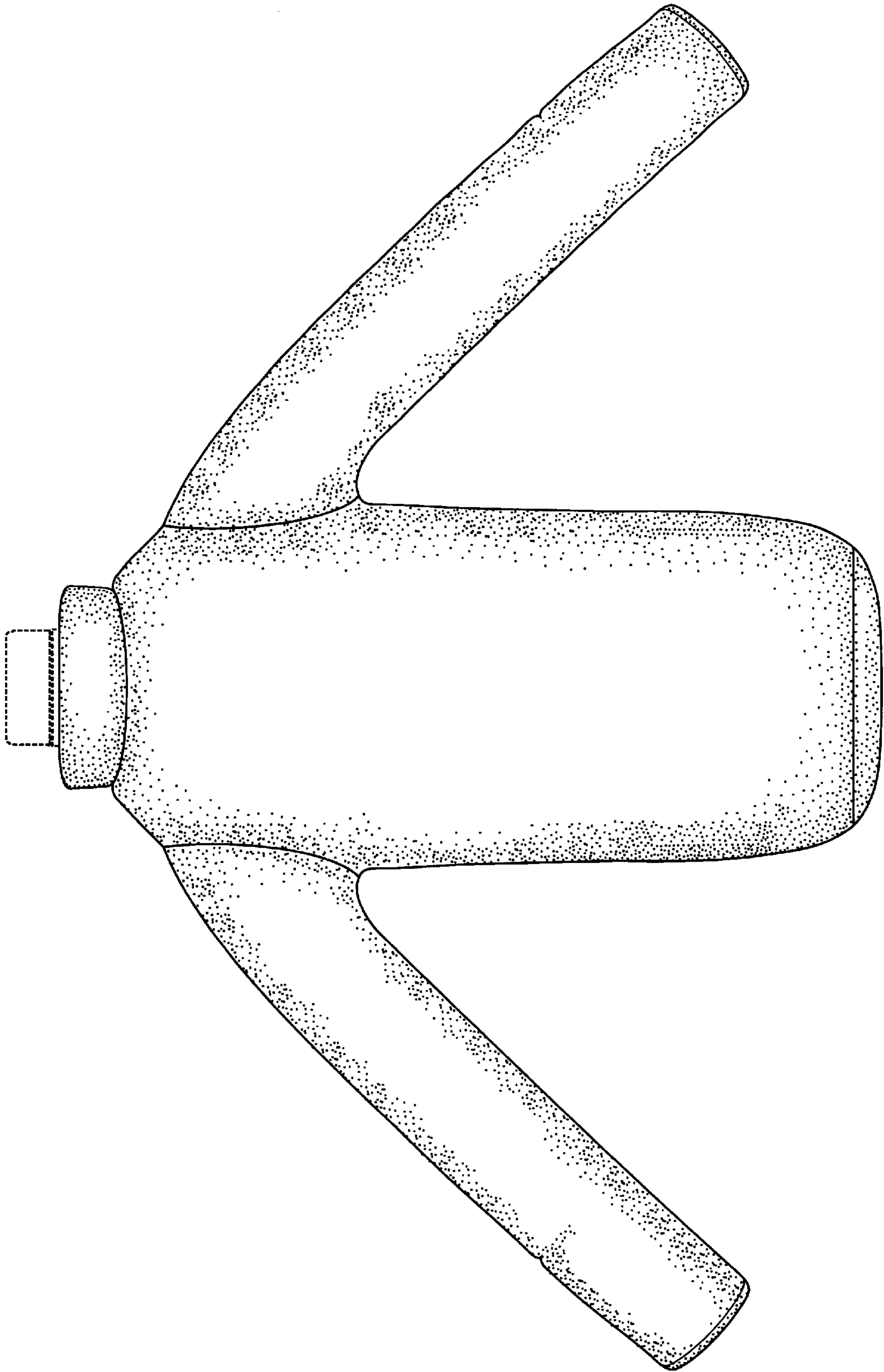


FIG. 3

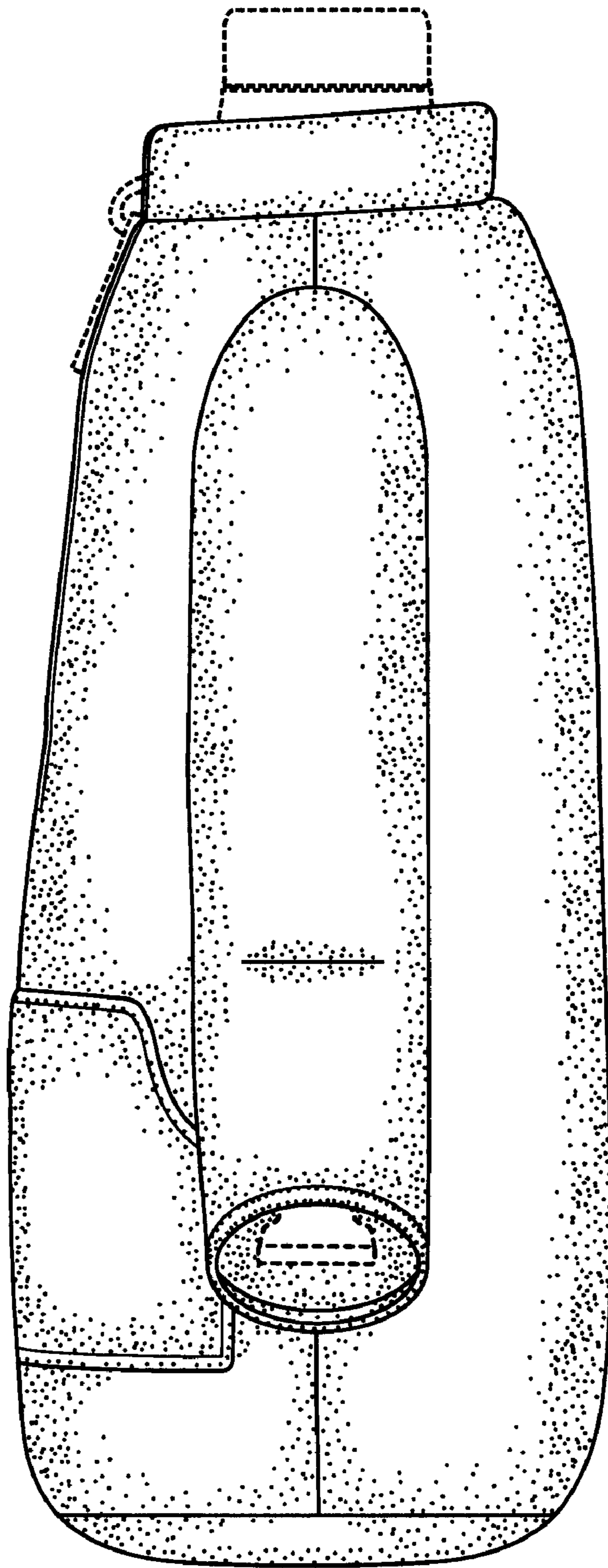


FIG. 4

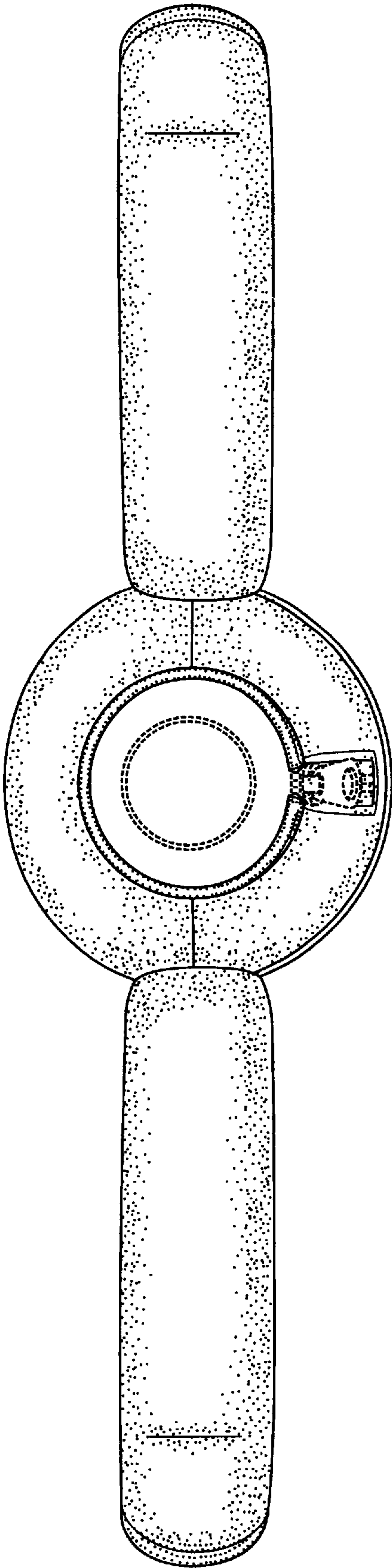


FIG. 5

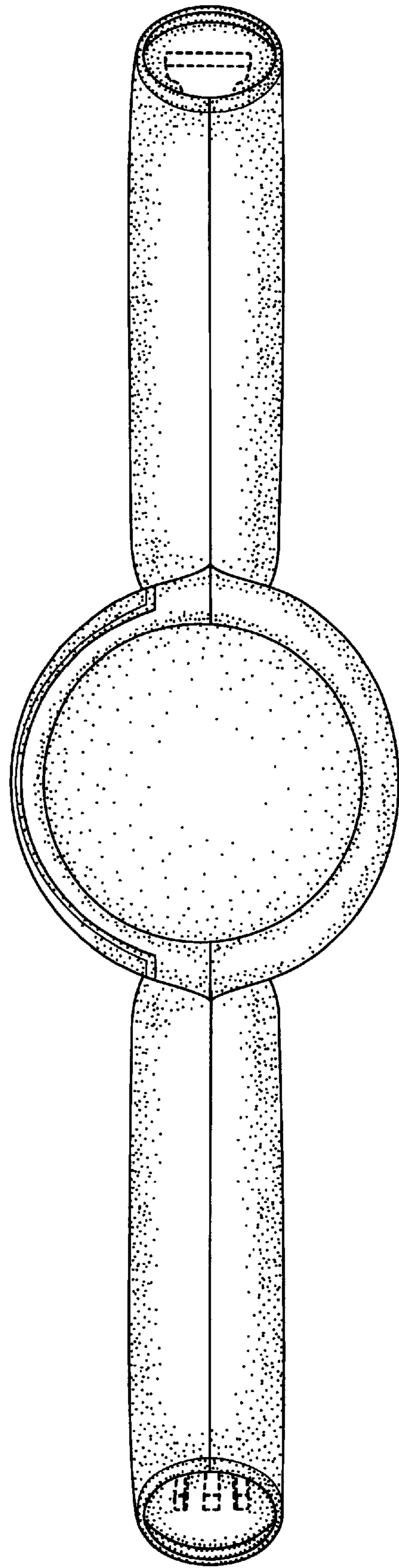


FIG. 6