



US00D482241S

(12) **United States Design Patent**  
**Tyler**

(10) **Patent No.:** **US D482,241 S**

(45) **Date of Patent:** **\*\* Nov. 18, 2003**

(54) **INSULATED BAG WITH SINGLE STRAP**

(76) Inventor: **Timothy G. Tyler**, 2818 Francis Ln.,  
Costa Mesa, CA (US) 92626

(\*\*) Term: **14 Years**

(21) Appl. No.: **29/175,032**

(22) Filed: **Jan. 29, 2003**

(51) **LOC (7) Cl.** ..... **07-01**

(52) **U.S. Cl.** ..... **D7/607**

(58) **Field of Search** ..... D7/605-608; D3/273,  
D3/274, 290, 294, 299; 224/901-901.8;  
190/110; 220/592.2, 592.24, 592.25, 915.1,  
915.2; 383/97, 110, 113; 62/457.1-457.8,  
371, 372

(56) **References Cited**

**U.S. PATENT DOCUMENTS**

D268,224 S	*	3/1983	Huntebrinker et al. ....	D3/299
5,005,374 A	*	4/1991	Spitler .....	383/110
D317,977 S	*	7/1991	Felkner et al. ....	D3/299
D338,781 S	*	8/1993	Eitel .....	D3/299
5,285,656 A	*	2/1994	Peters .....	62/457.1

\* cited by examiner

*Primary Examiner*—Terry A. Wallace

(74) *Attorney, Agent, or Firm*—Cohen & Sakaguchi LLP

(57) **CLAIM**

The ornamental design for insulated bag with single strap, as shown and described.

**DESCRIPTION**

FIG. 1 is a perspective view of the insulated bag with single strap in an expanded position and an open lid; broken lines

representative of a carrying strap or other ornamentation are used for illustrative purposes therein and form no part of the claimed design or a specified embodiment thereof.

FIG. 2 is a front elevational view of the insulated bag with single strap shown in FIG. 1.

FIG. 3 is a back elevational view of the insulated bag with single strap shown in FIG. 1.

FIG. 4 is a right side elevational view of the insulated bag with single strap shown in FIG. 1.

FIG. 5 is a left side elevational view of the insulated bag with single strap shown in FIG. 1.

FIG. 6 is a top view of the insulated bag with single strap shown in FIG. 1 in an expanded position and an open lid.

FIG. 7 is a bottom view of the insulated bag with single strap shown in FIG. 1 in an expanded position with the lid at a right angle to the back side.

FIG. 8 is a perspective view of the insulated bag with single strap in a collapsed position with the single strap attached to a securing point.

FIG. 9 is front elevational view of the insulated bag with single strap shown in FIG. 8.

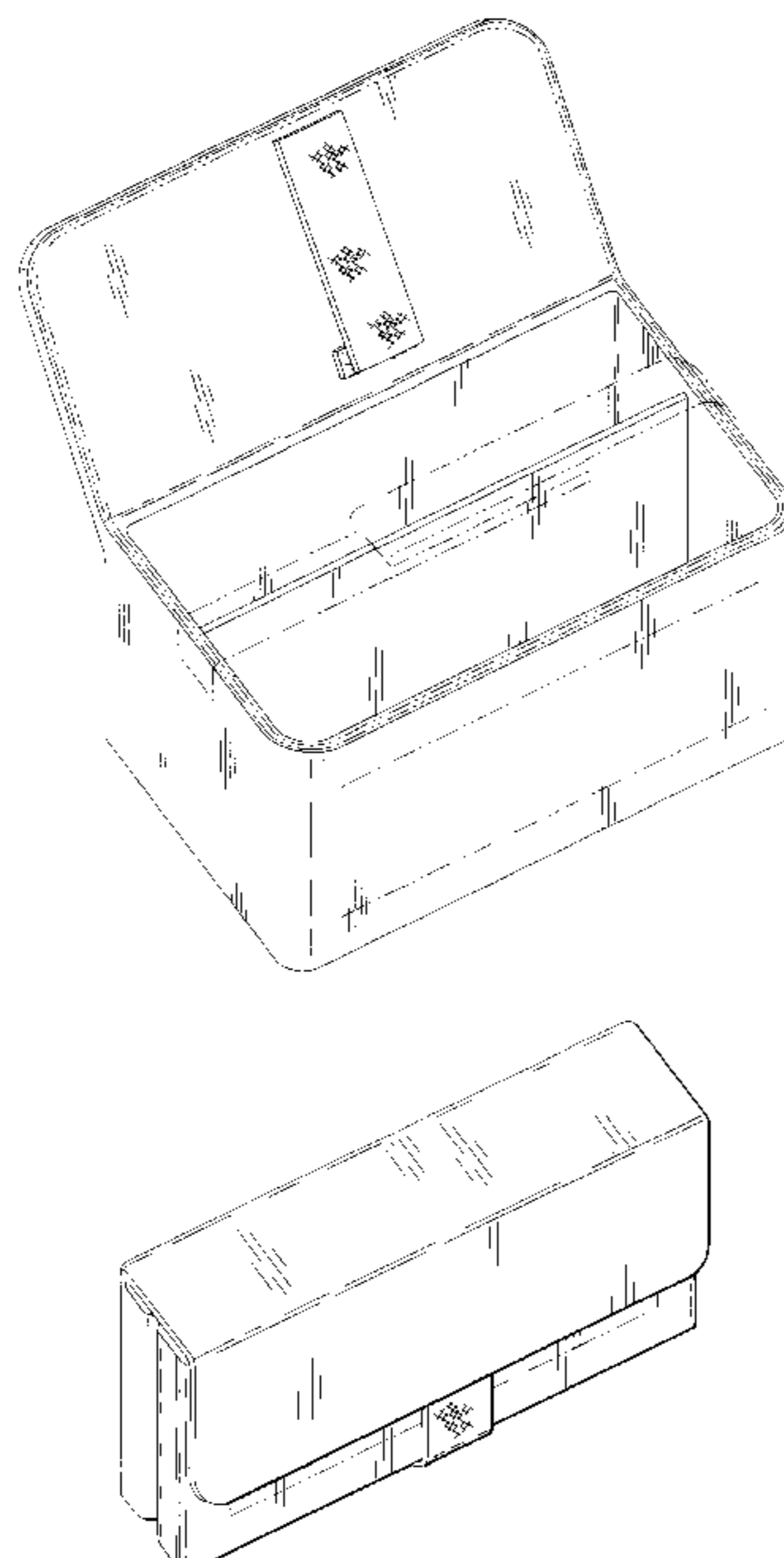
FIG. 10 is a back elevational view of the insulated bag with single strap shown in FIG. 8.

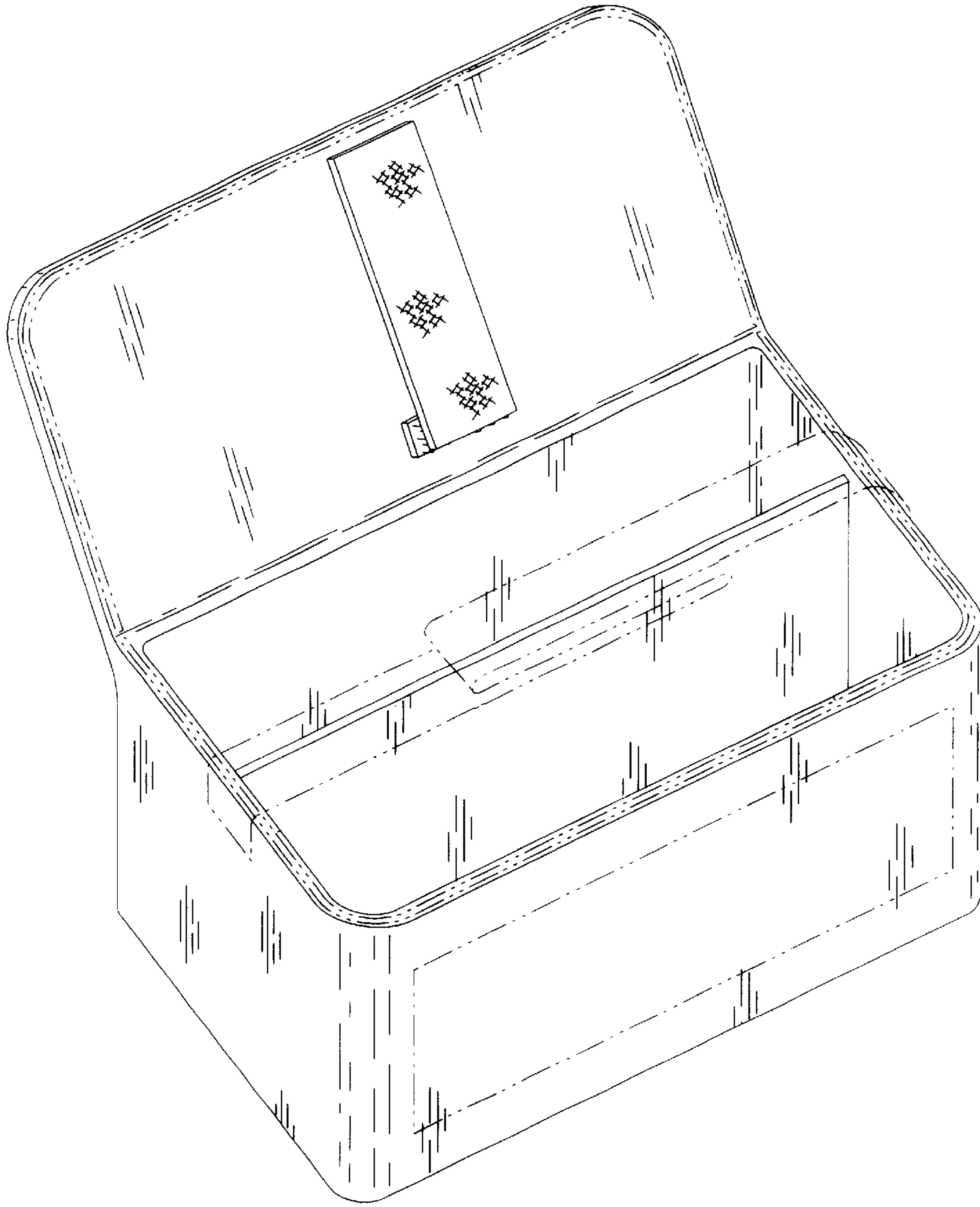
FIG. 11 is right side elevational view of the insulated bag with single strap shown in FIG. 8, which is a mirror image of the left side elevational view of the insulated bag with single strap shown in FIG. 8.

FIG. 12 is a top view of the insulated bag with single strap shown in FIG. 8; and,

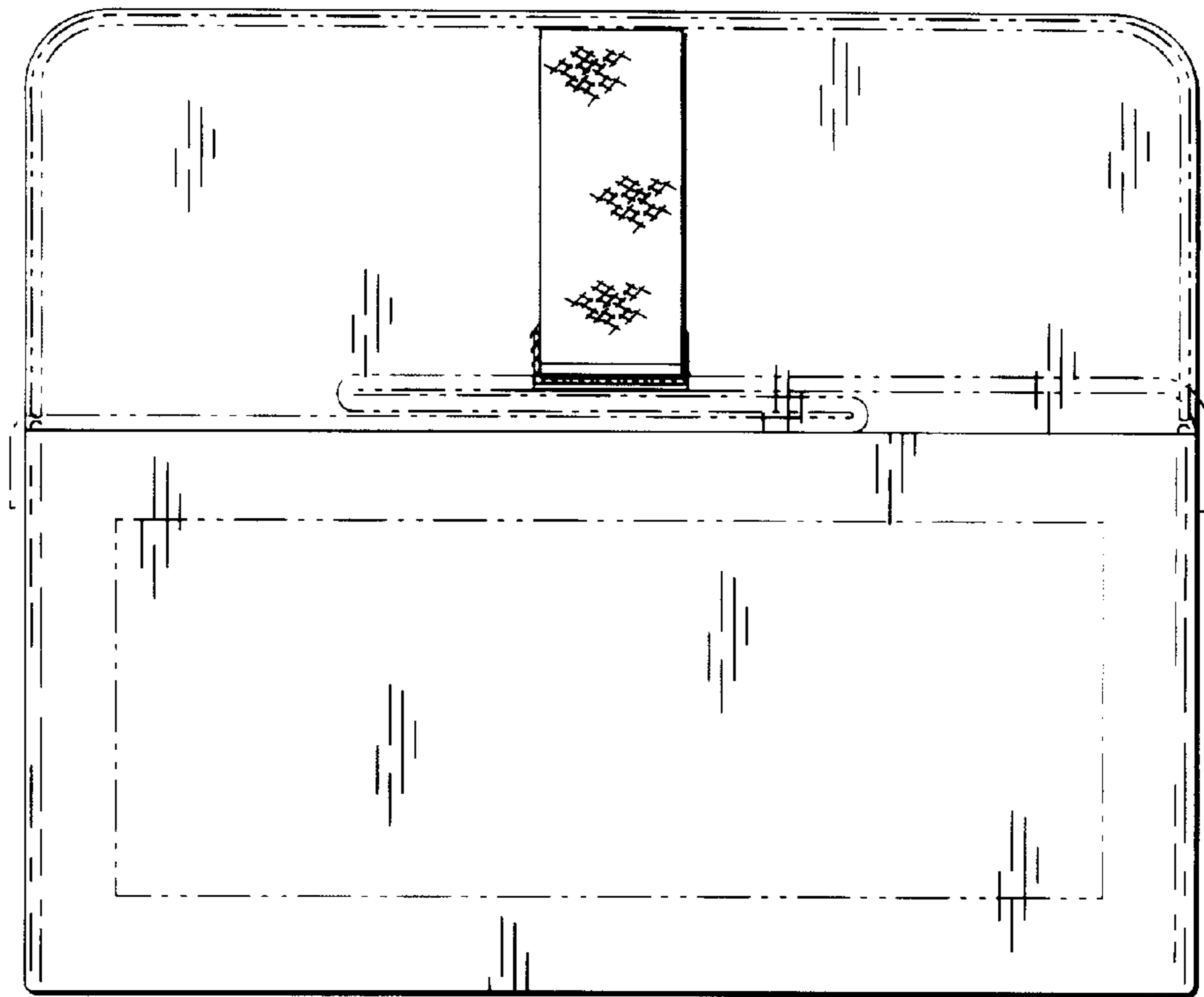
FIG. 13 is a bottom view of the insulated bag with single strap shown in FIG. 8.

**1 Claim, 6 Drawing Sheets**

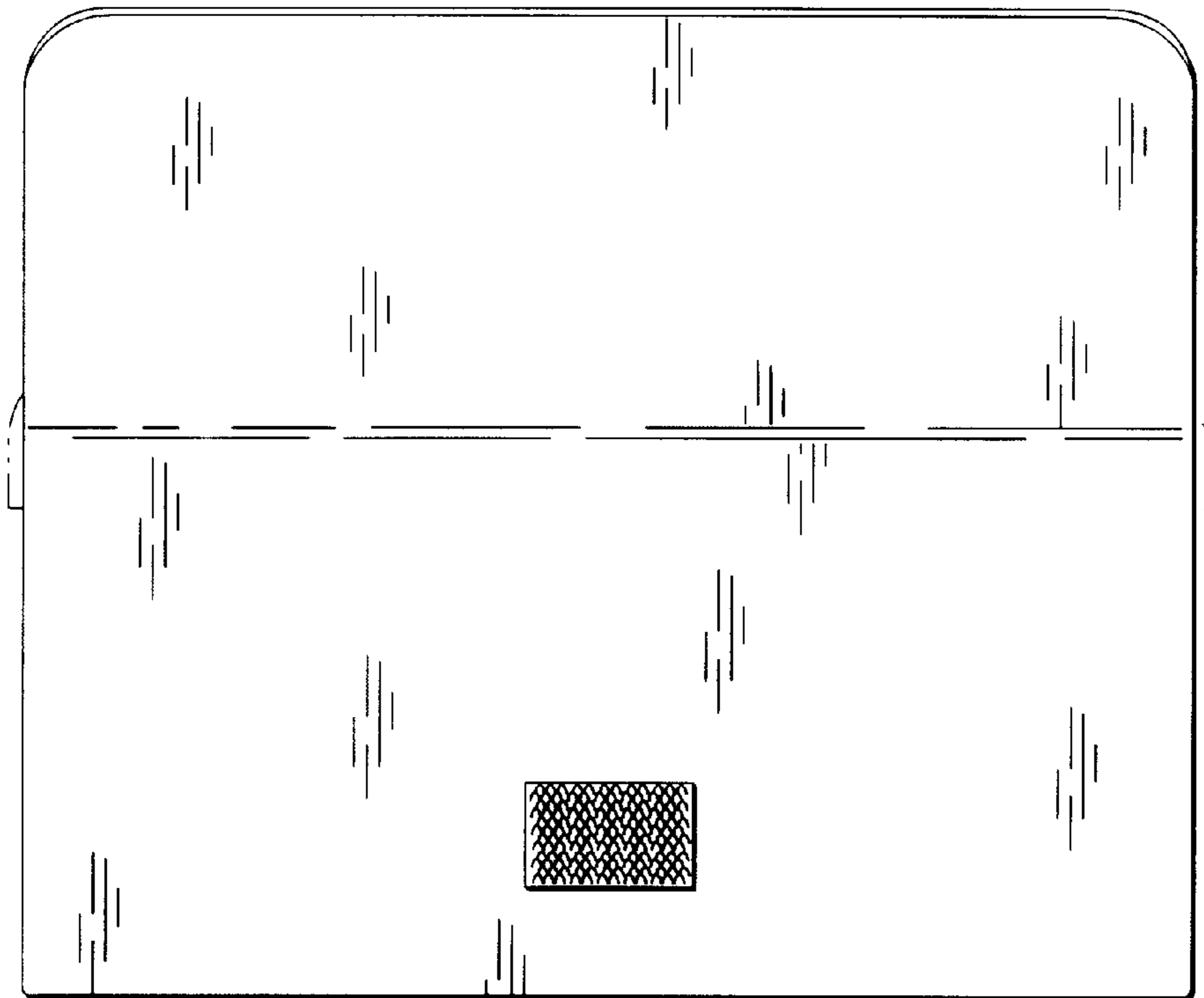




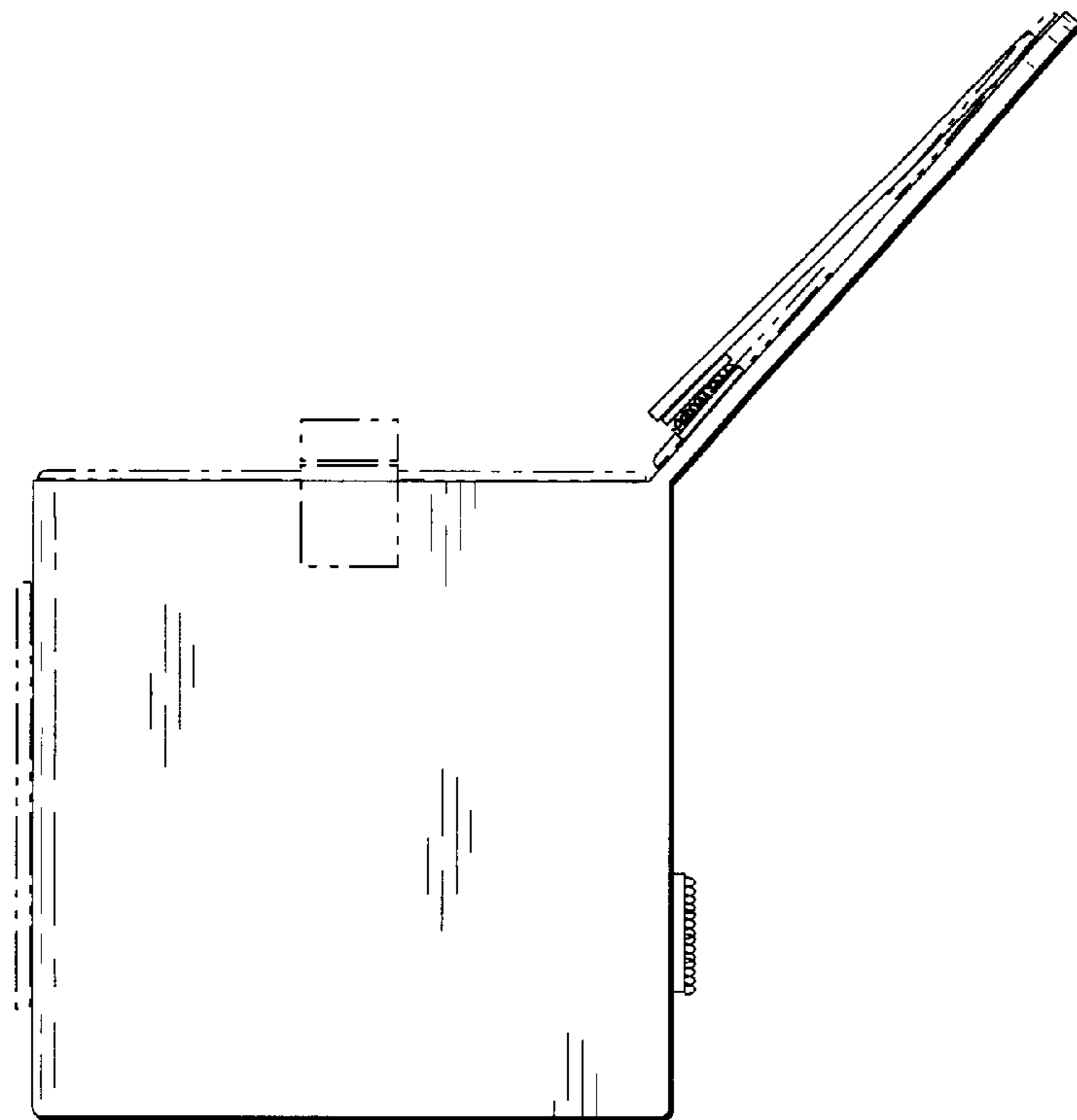
*Fig. 1*



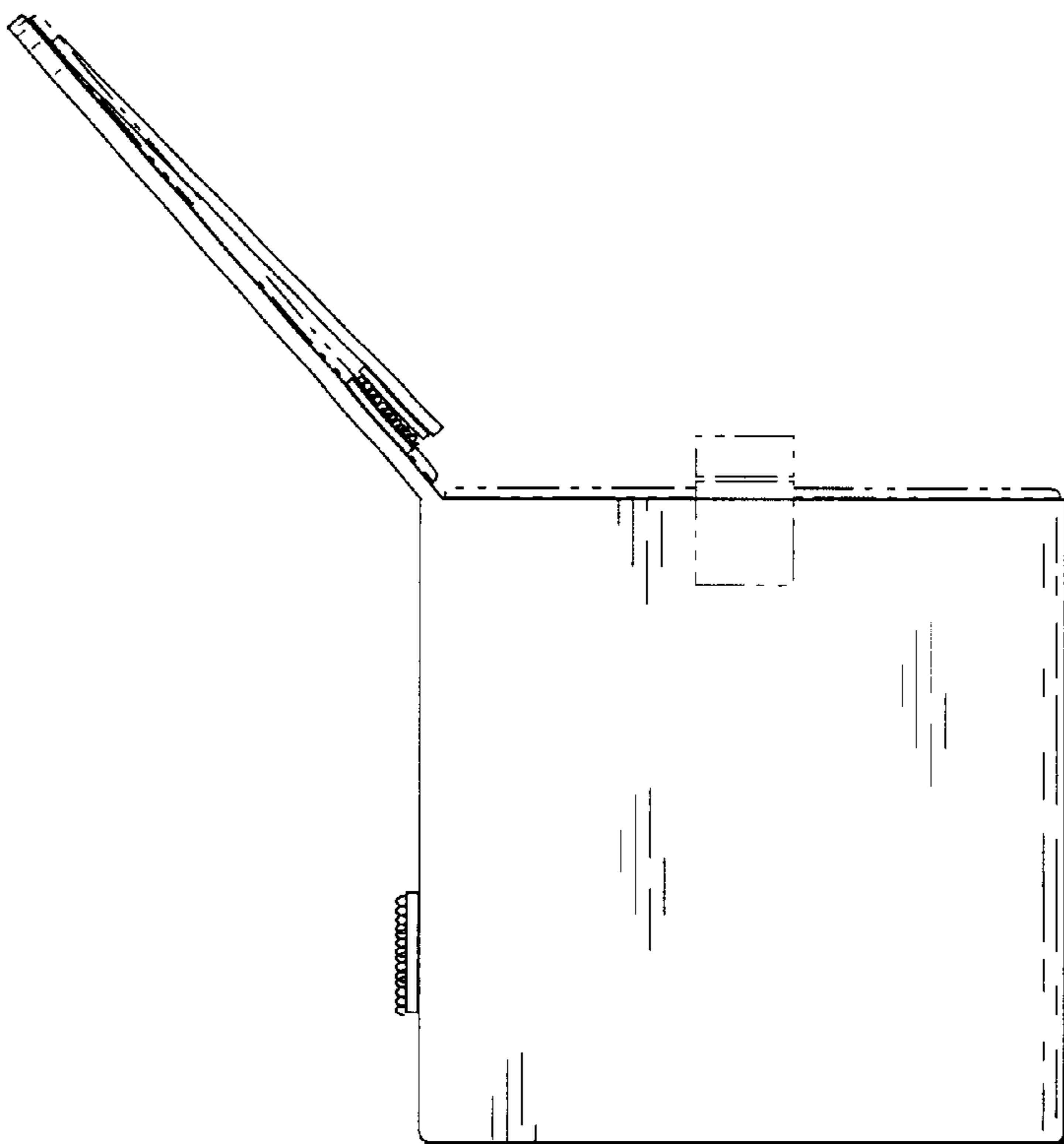
*Fig. 2*



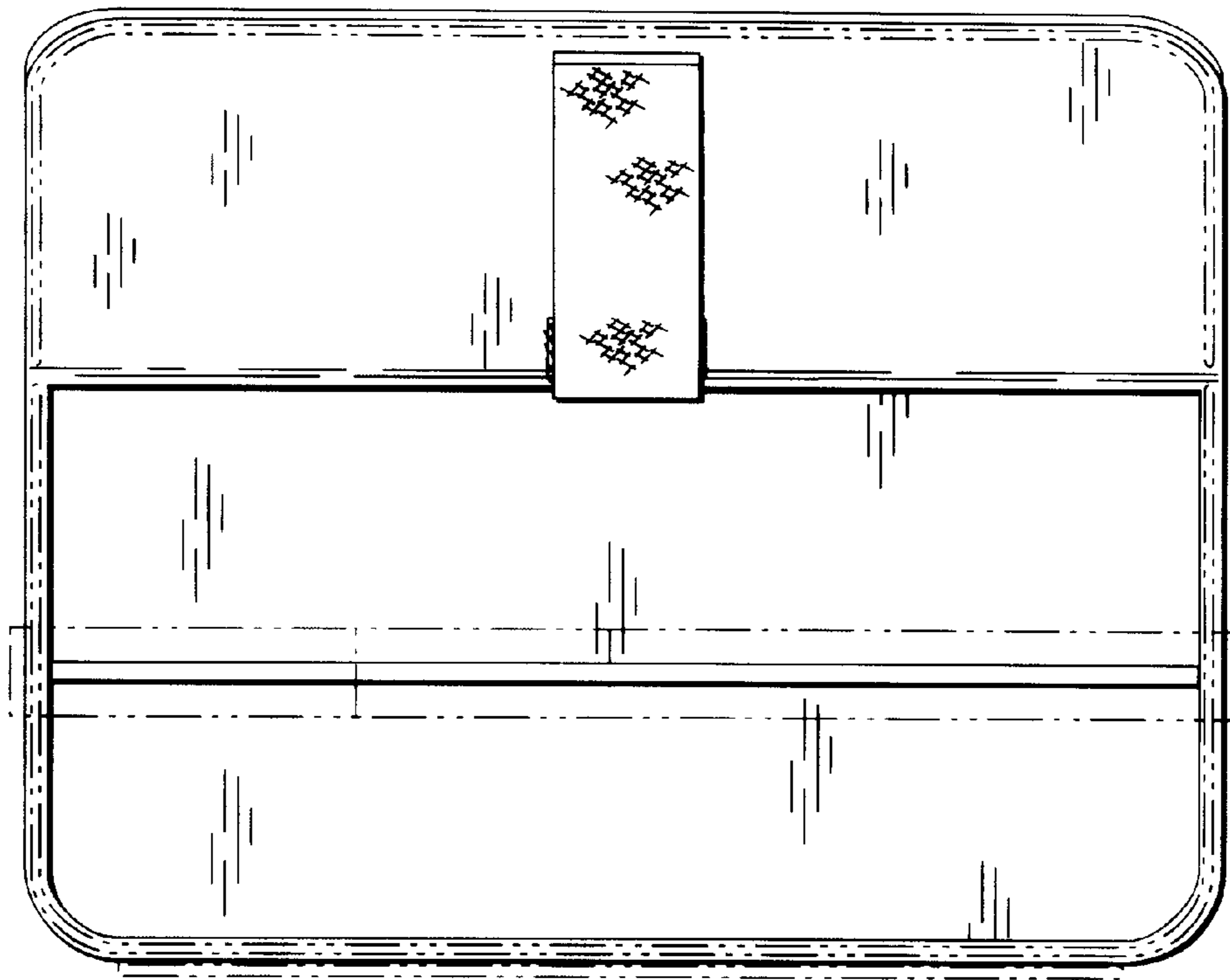
*Fig. 3*



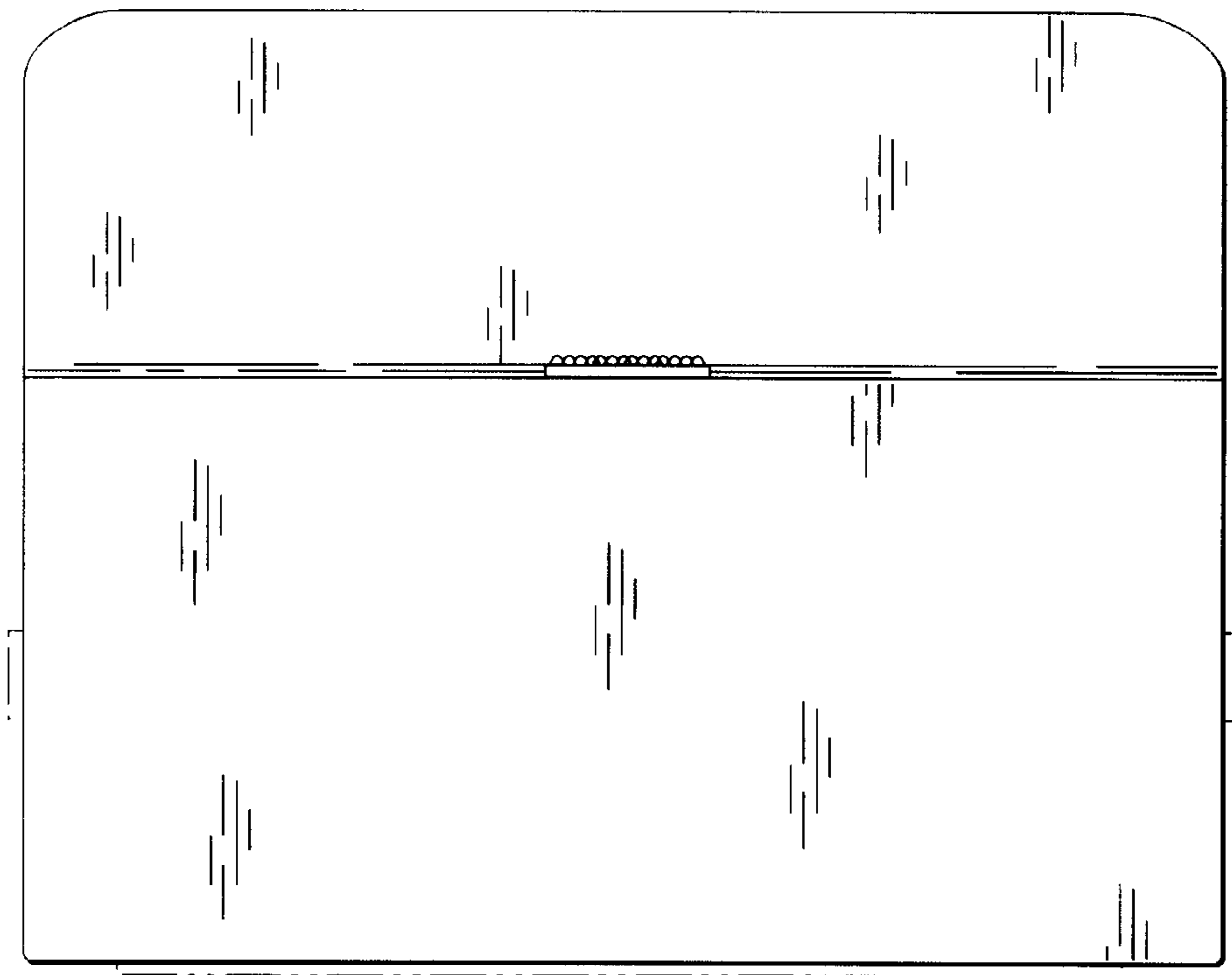
*Fig. 4*



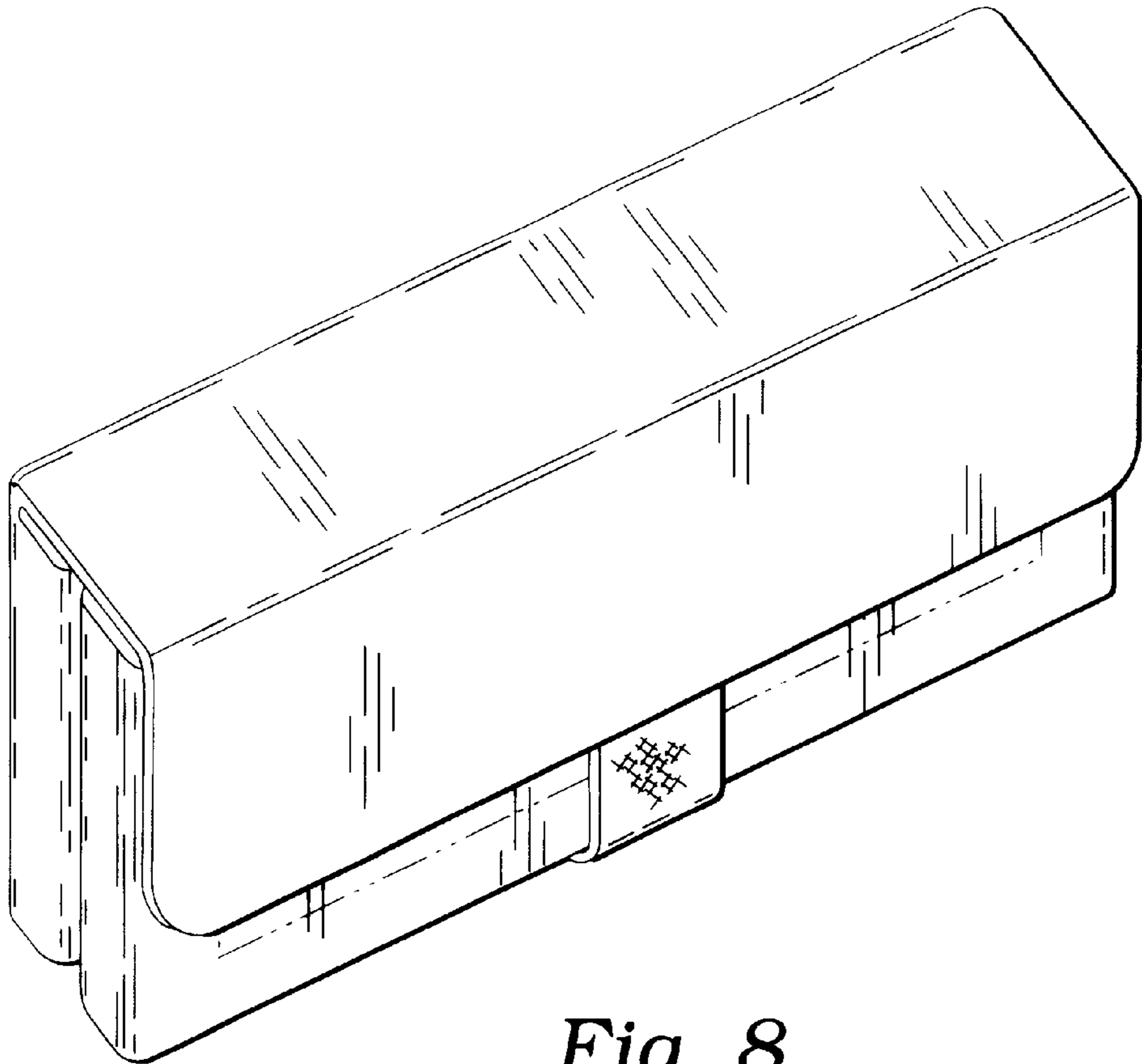
*Fig. 5*



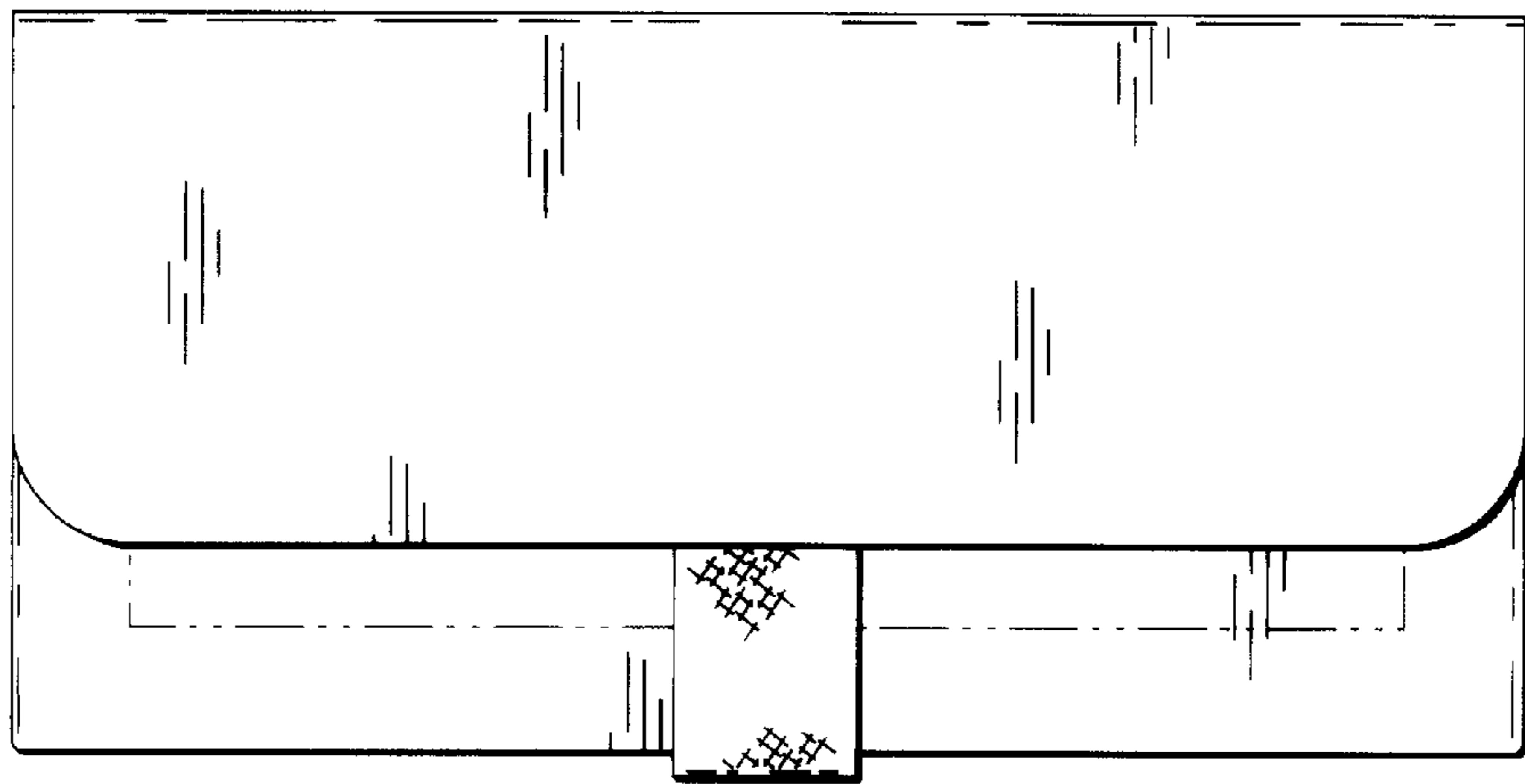
*Fig. 6*



*Fig. 7*

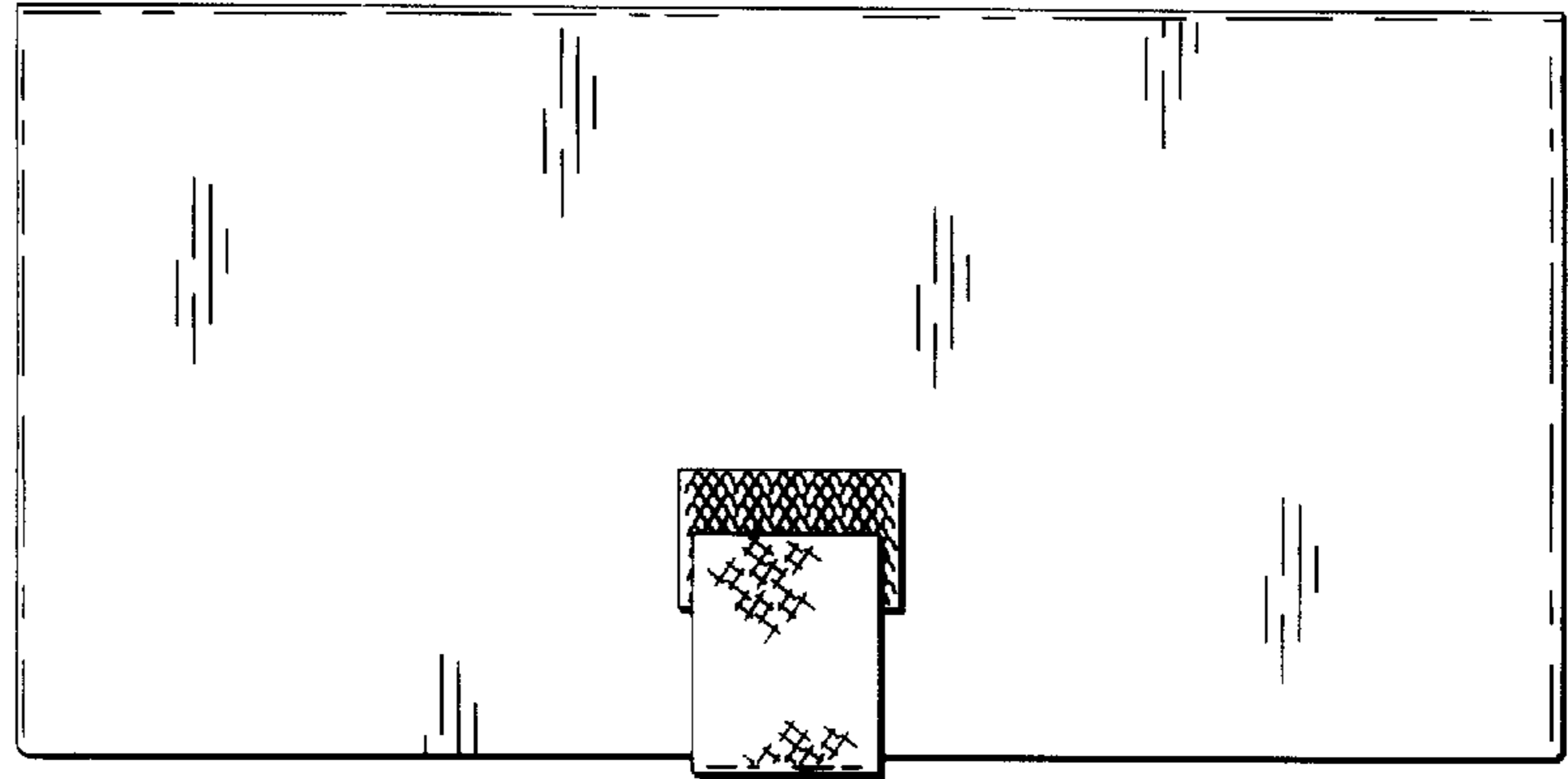


*Fig. 8*

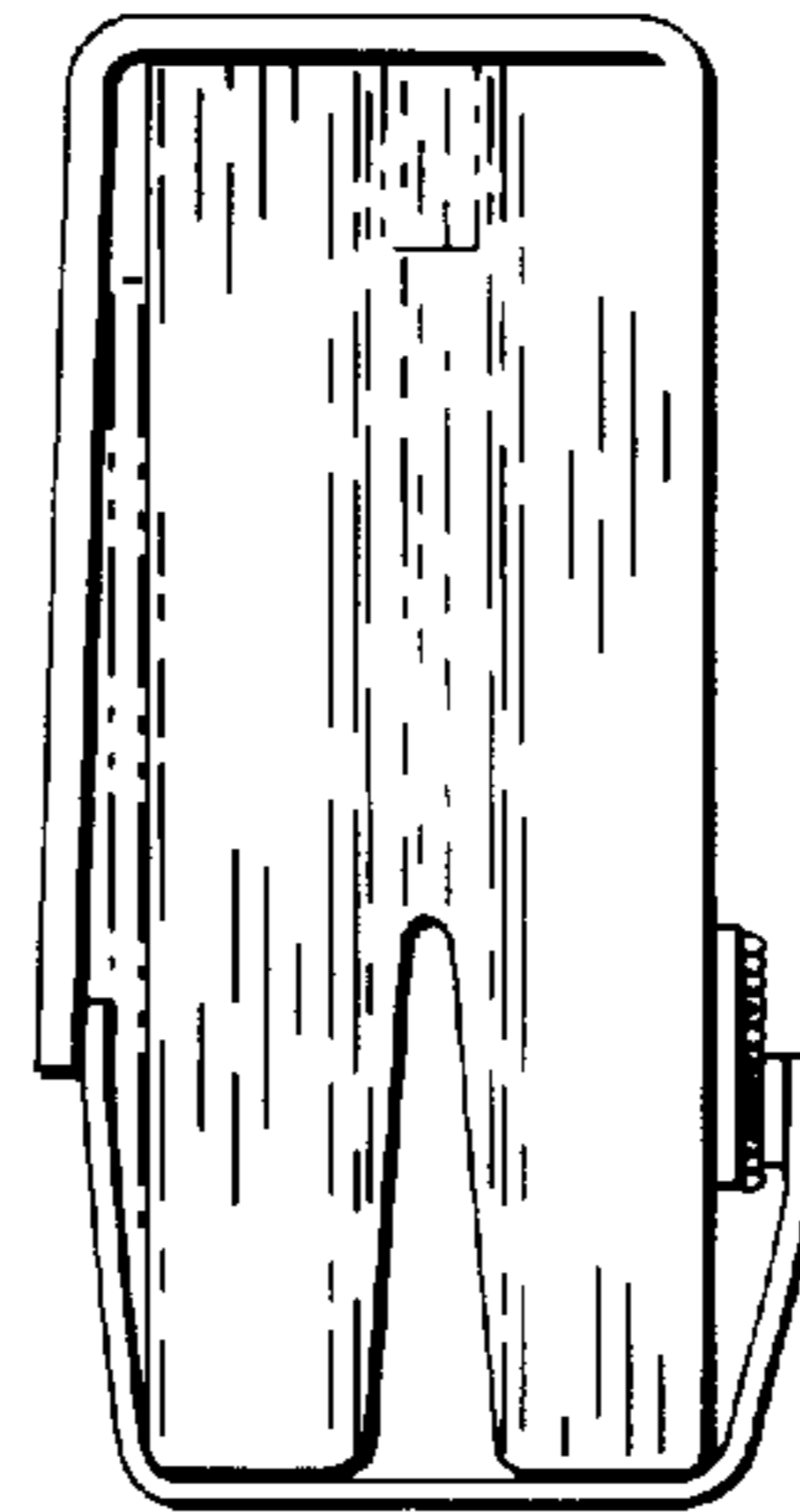


*Fig. 9*

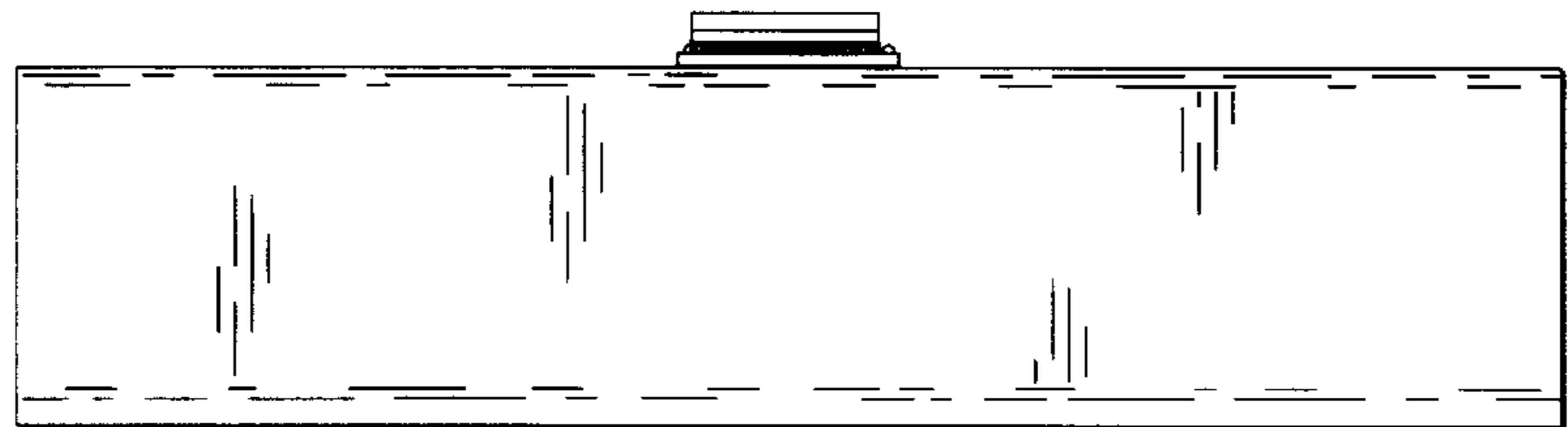
*Fig. 10*



*Fig. 11*



*Fig. 12*



*Fig. 13*

