



US00D482240S

(12) **United States Design Patent**
Soohee et al.

(10) **Patent No.:** **US D482,240 S**

(45) **Date of Patent:** **** Nov. 18, 2003**

(54) **FOOD BOWL**

(76) Inventors: **David L. Soohoo**, 2122 Gunn Rd., Carmichael, CA (US) 95608; **George R. Wong**, 3834 Rawhide Rd., Rocklin, CA (US) 95677

(**) Term: **14 Years**

(21) Appl. No.: **29/168,012**

(22) Filed: **Sep. 24, 2002**

(51) **LOC (7) Cl.** **07-01**

(52) **U.S. Cl.** **D7/584**

(58) **Field of Search** D7/543, 545-549, D7/561, 562, 585, 586, 587, 554.2, 566, 393-395; D9/500; 220/574, 575, 659

(56) **References Cited**

U.S. PATENT DOCUMENTS

797,314 A *	8/1905	Owens	220/4.21
D54,898 S *	4/1920	Churchill	D7/545
1,495,837 A *	5/1924	Garske	220/625
D214,749 S *	7/1969	Ferrara	D7/584
D258,338 S *	2/1981	Gersin	D7/584
D288,050 S *	2/1987	Fox et al.	D7/545
D452,417 S *	12/2001	Whitmore et al.	D7/543
6,431,389 B1 *	8/2002	Jerstroem et al.	220/574.3

* cited by examiner

Primary Examiner—Charles A. Rademaker

(74) *Attorney, Agent, or Firm*—R. Michael West

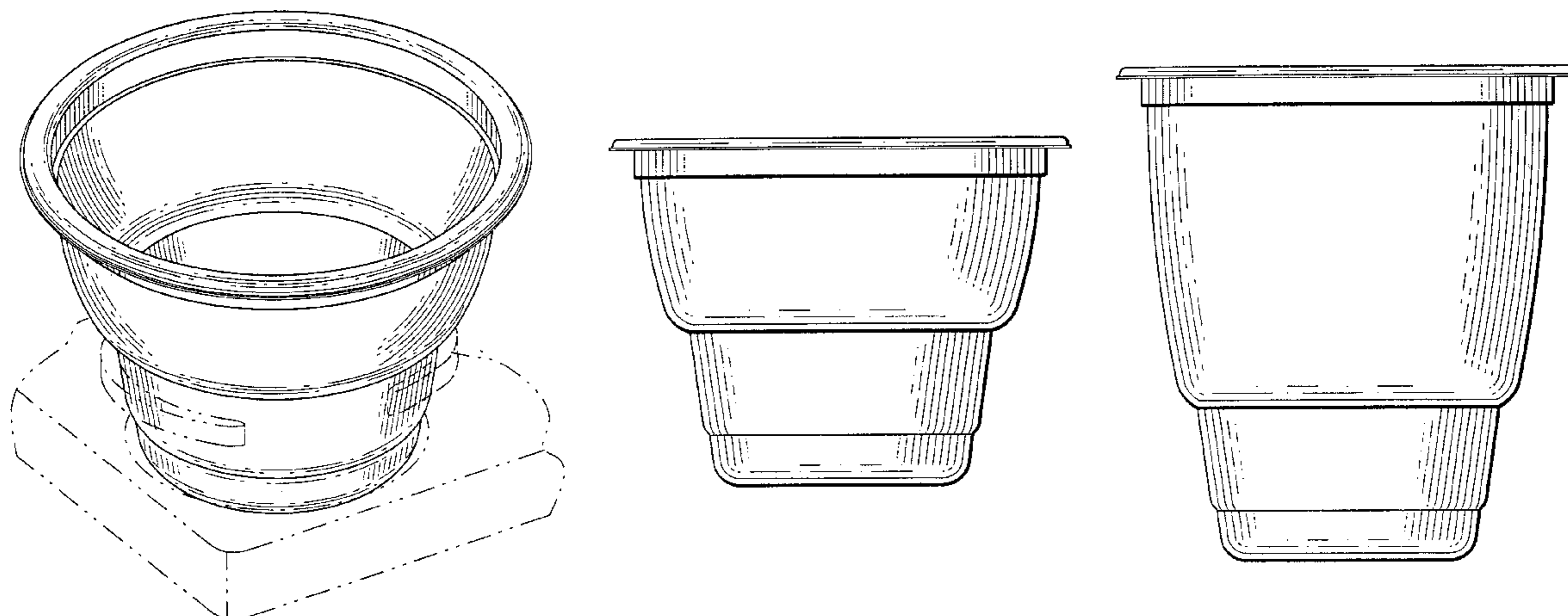
(57) **CLAIM**

The ornamental design for food bowl, as shown and described.

DESCRIPTION

FIG. 1 is a perspective view of a first embodiment of a food bowl, showing our new design, the broken line fragmentary representation of a car cup holder being shown solely for illustrative purposes, forming no part of the claimed design; FIG. 2 is a side elevational view, thereof; FIG. 3 is a top plan view, thereof; and, FIG. 4 is a bottom plan view, thereof; FIG. 5 is a perspective view of a second embodiment of our food bowl design; FIG. 6 is a side elevational view, thereof; FIG. 7 is a top plan view, thereof; and, FIG. 8 is a bottom plan view, thereof; FIG. 9 is a perspective view of a third embodiment of our food bowl design; FIG. 10 is a side elevational view, thereof; FIG. 11 is a top plan view, thereof; and, FIG. 12 is a bottom plan view, thereof.

1 Claim, 3 Drawing Sheets



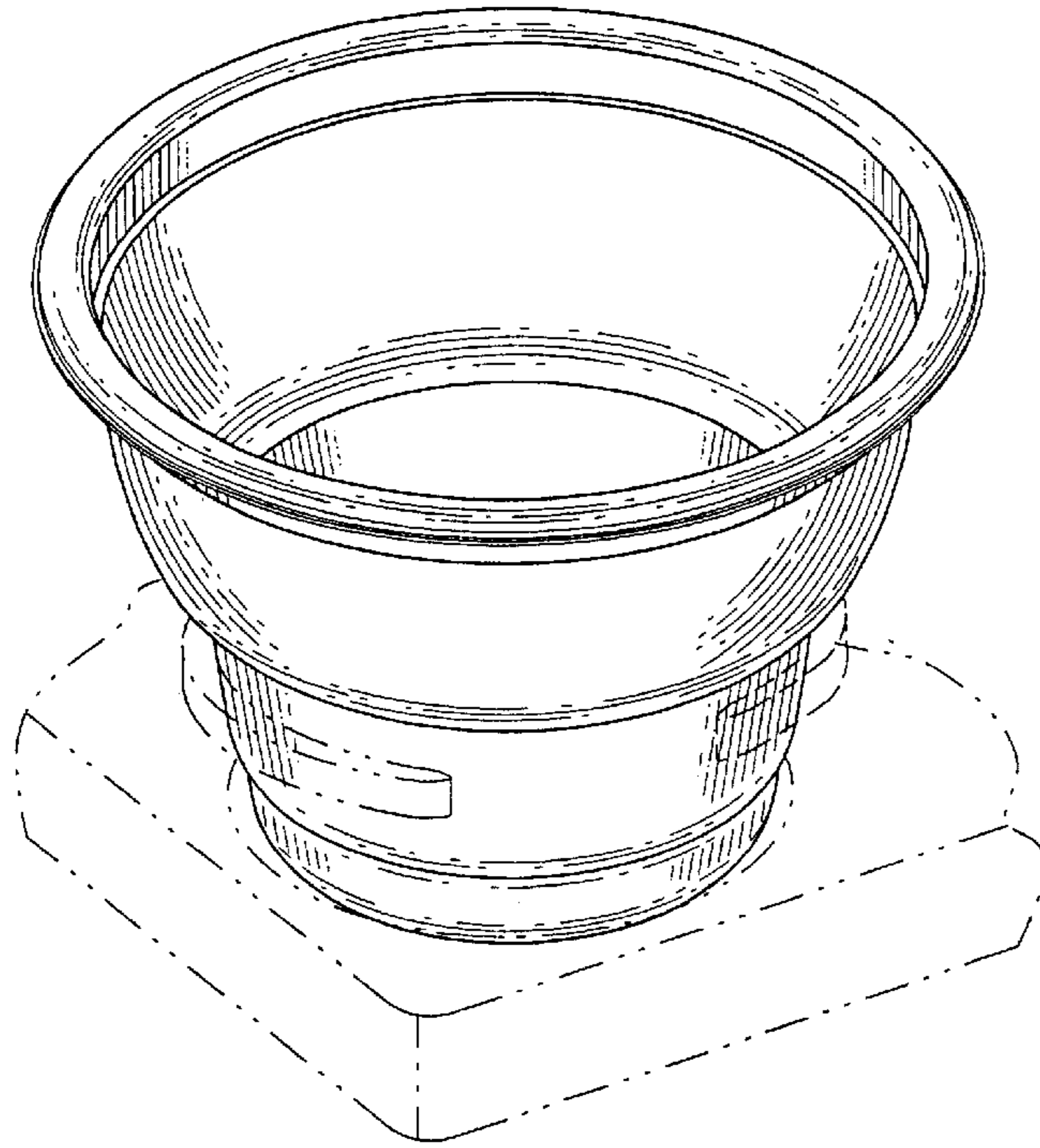


Fig. 1

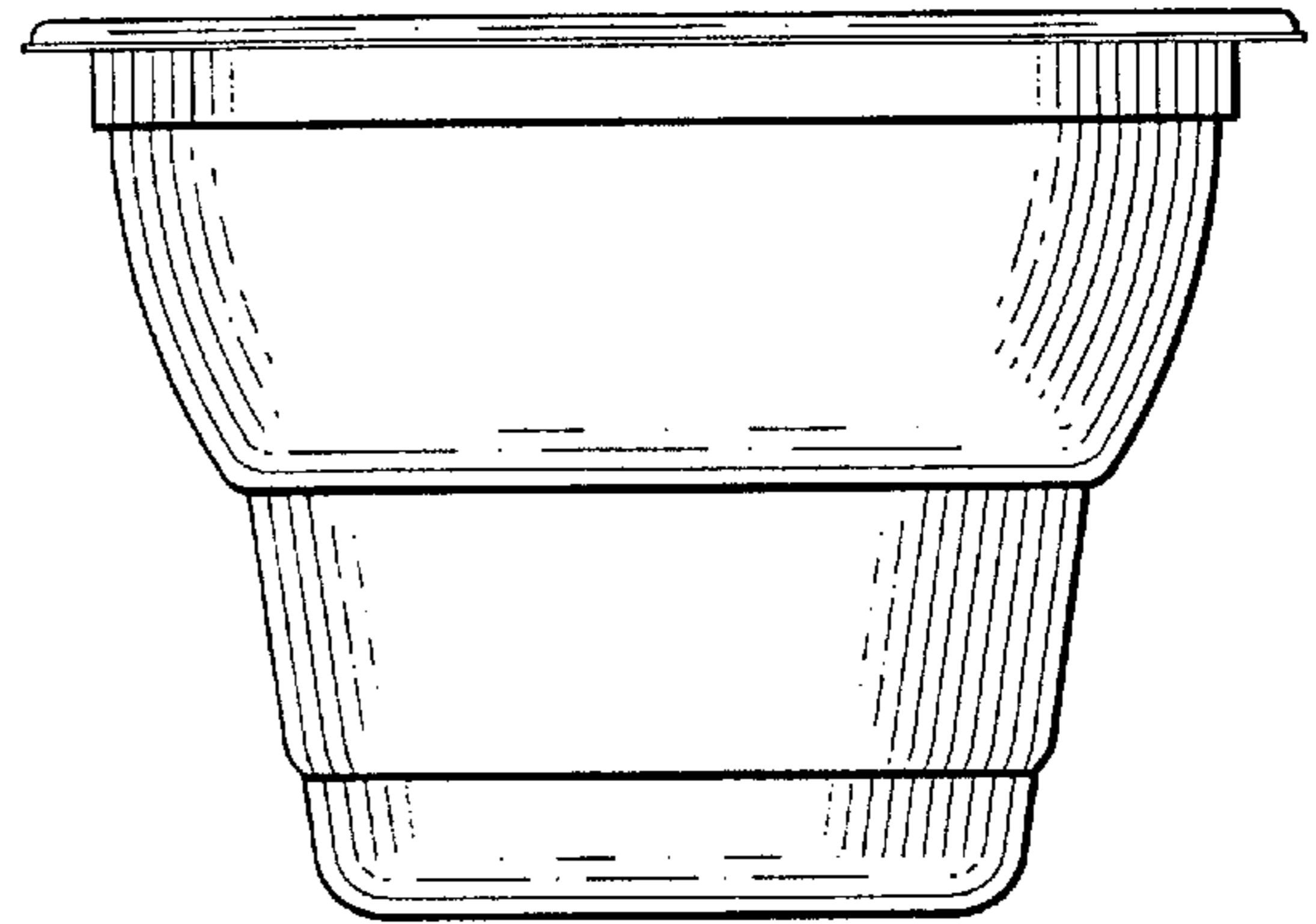


Fig. 2

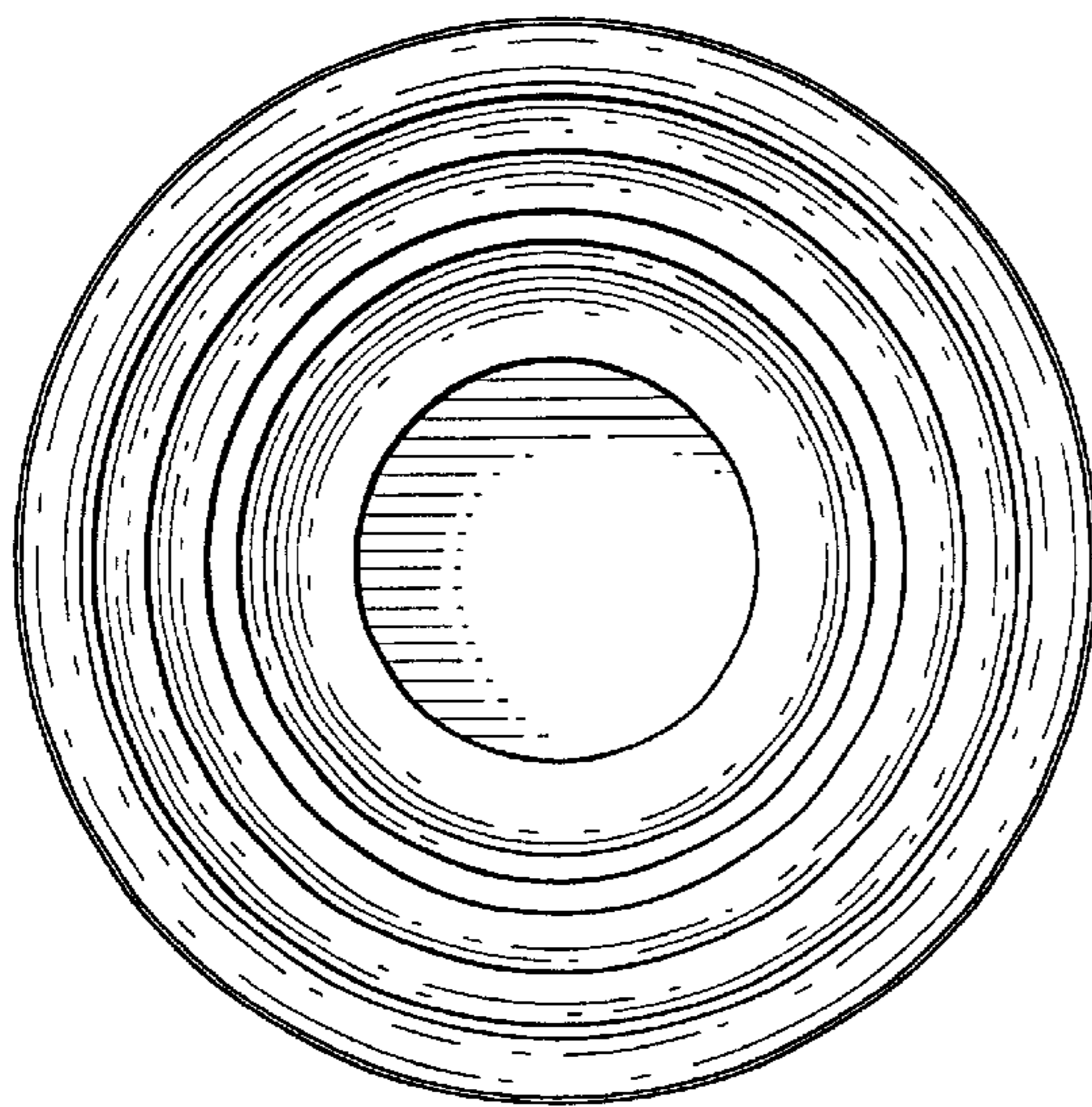


Fig. 3

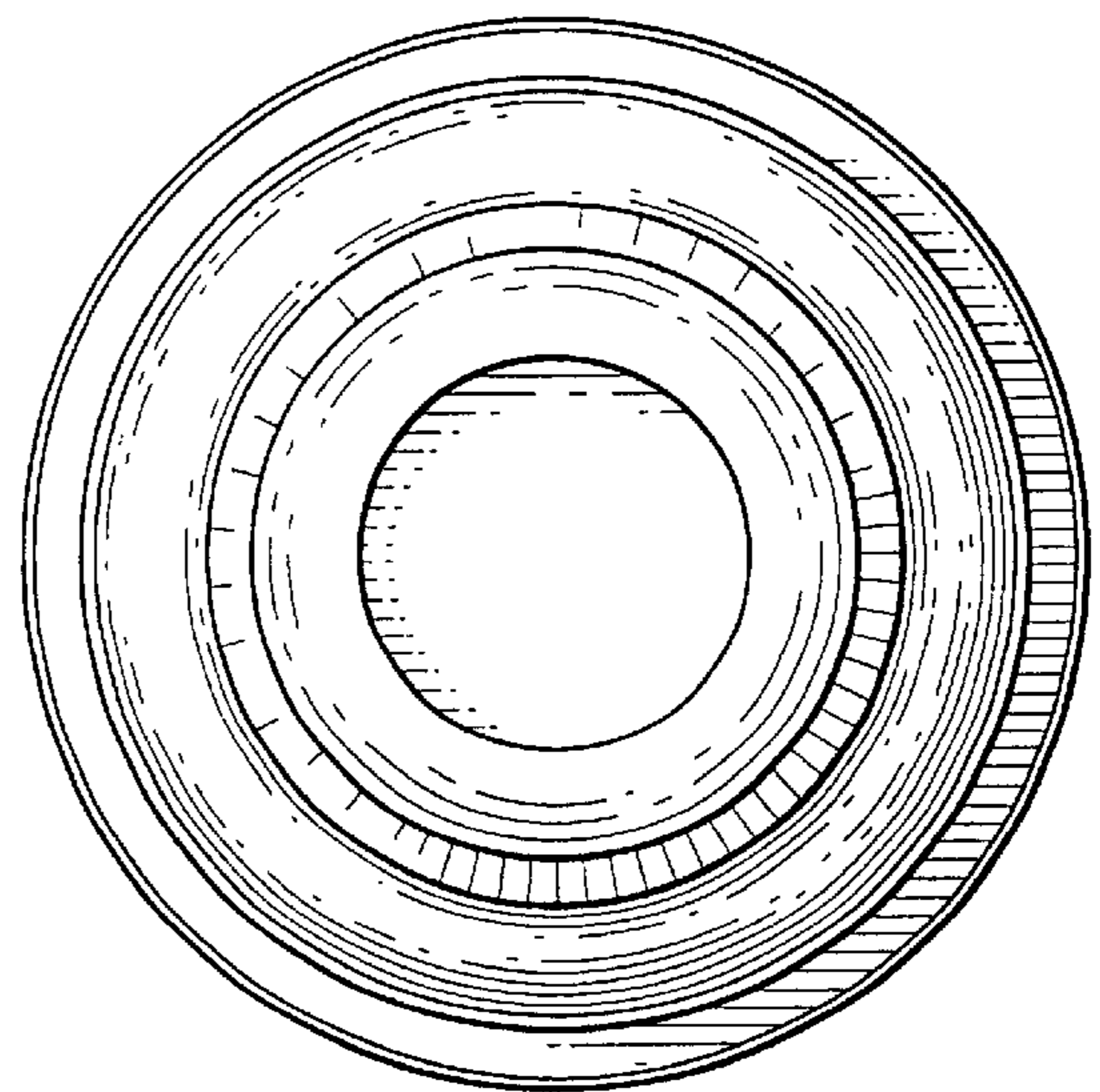


Fig. 4

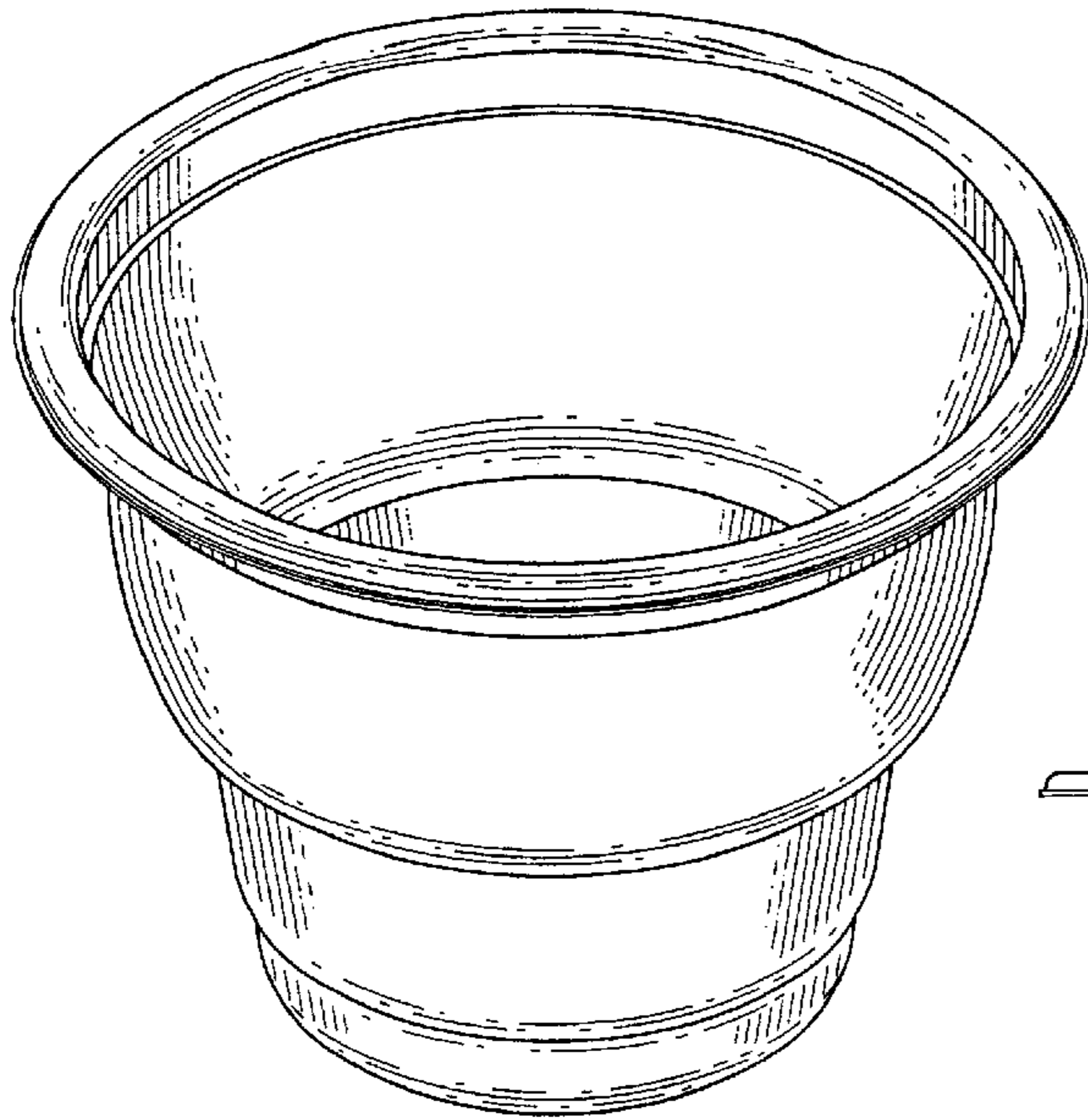


Fig. 5

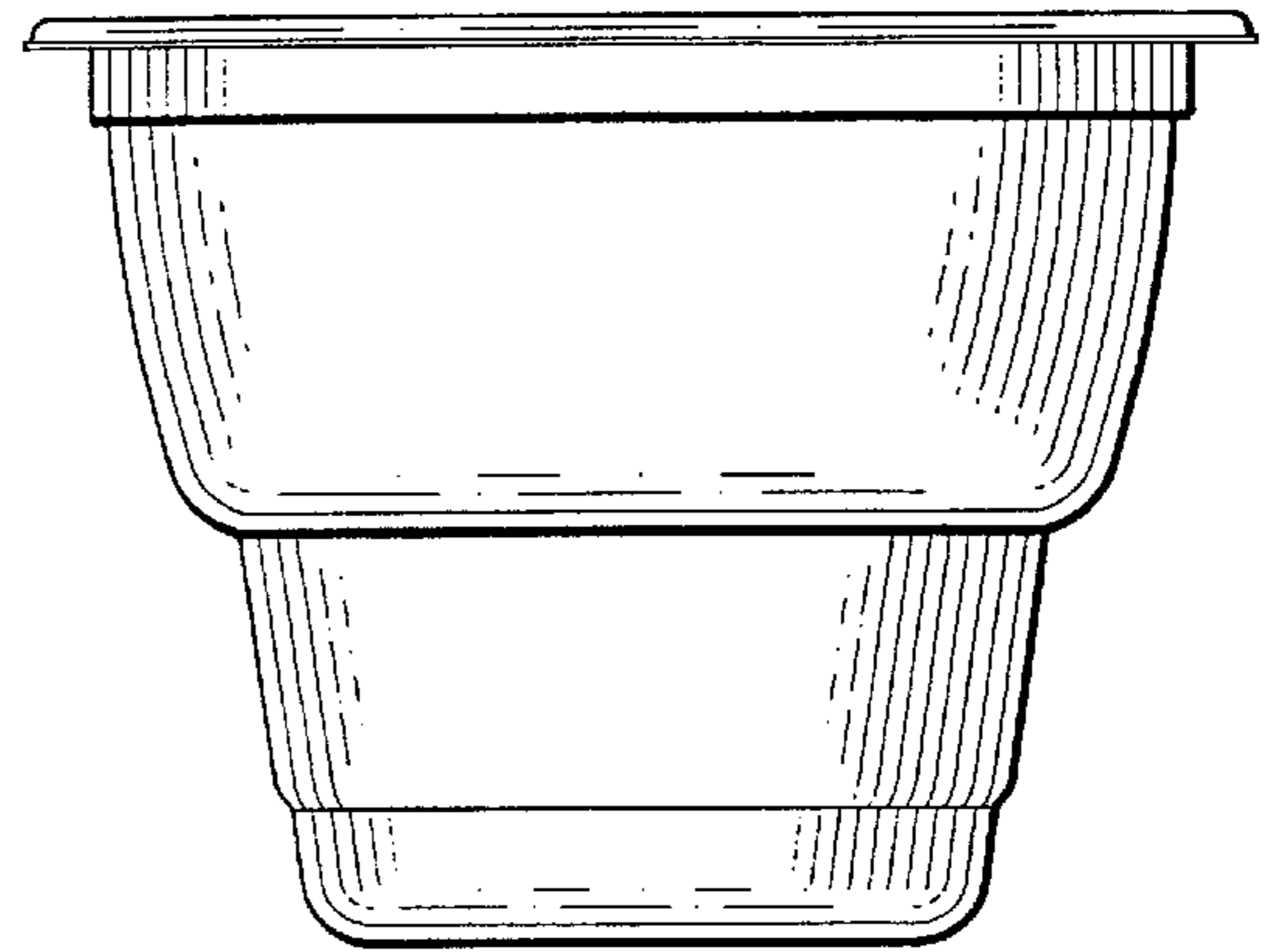


Fig. 6

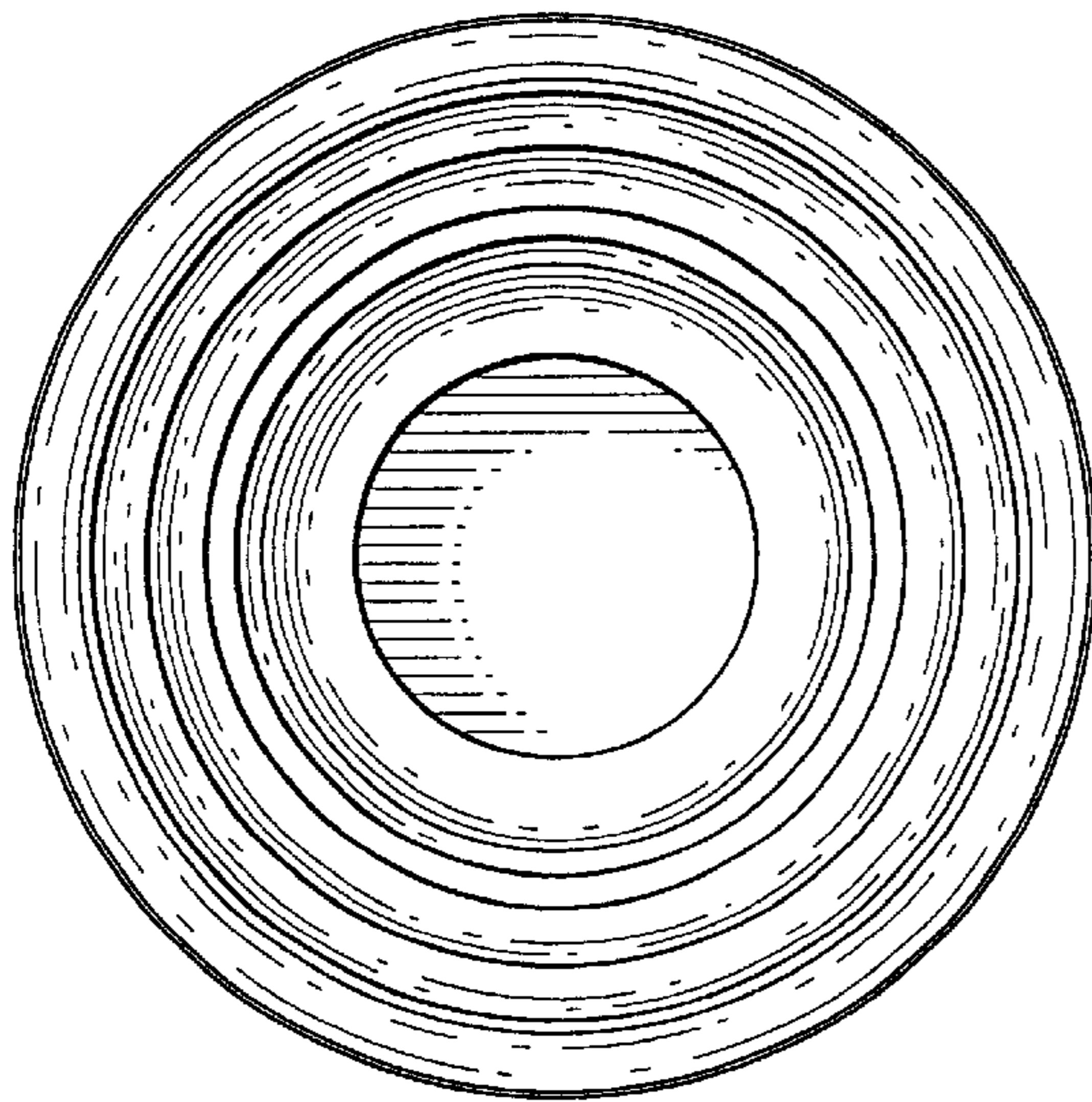


Fig. 7

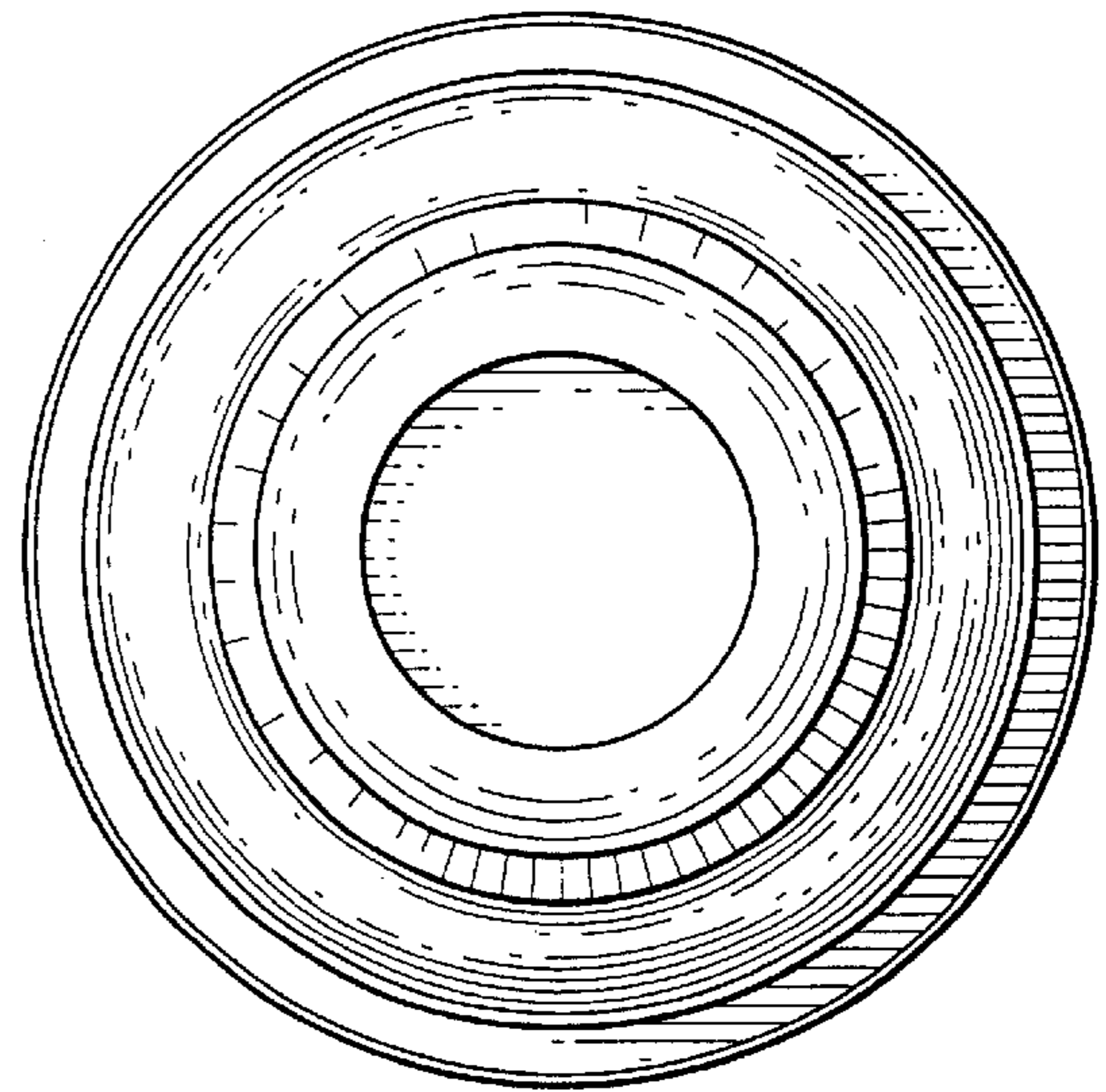


Fig. 8

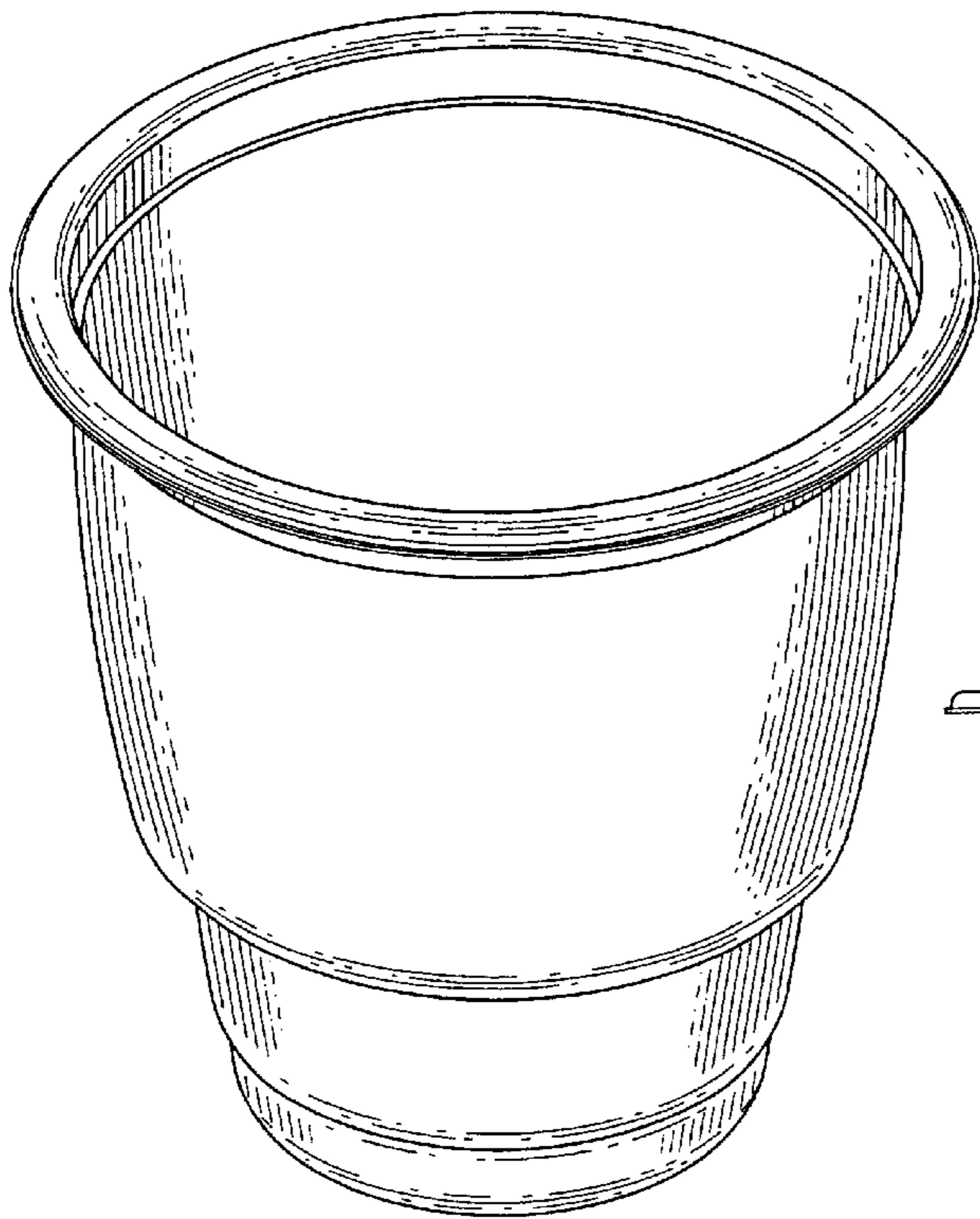


Fig. 9

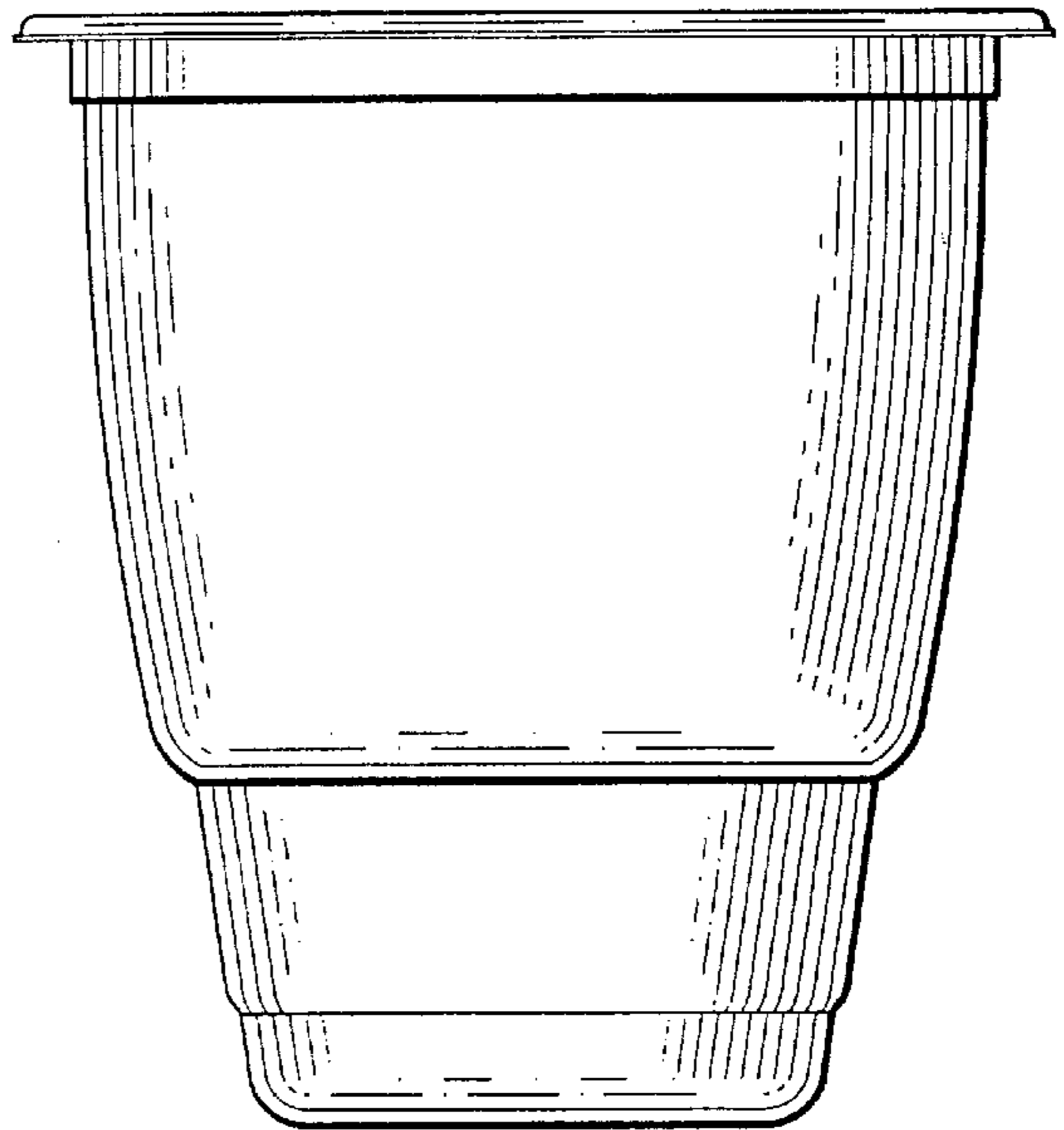


Fig. 10

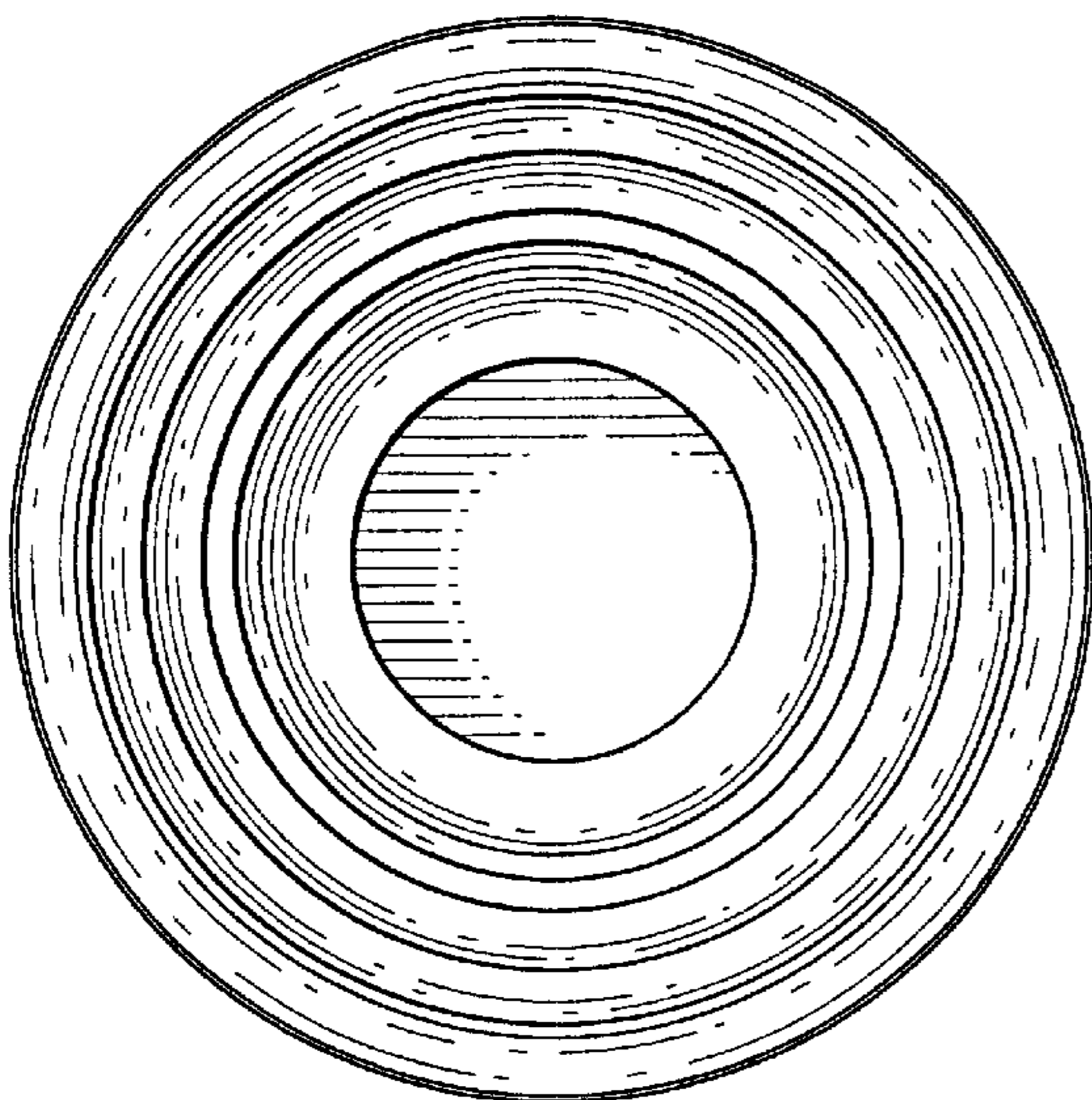


Fig. 11

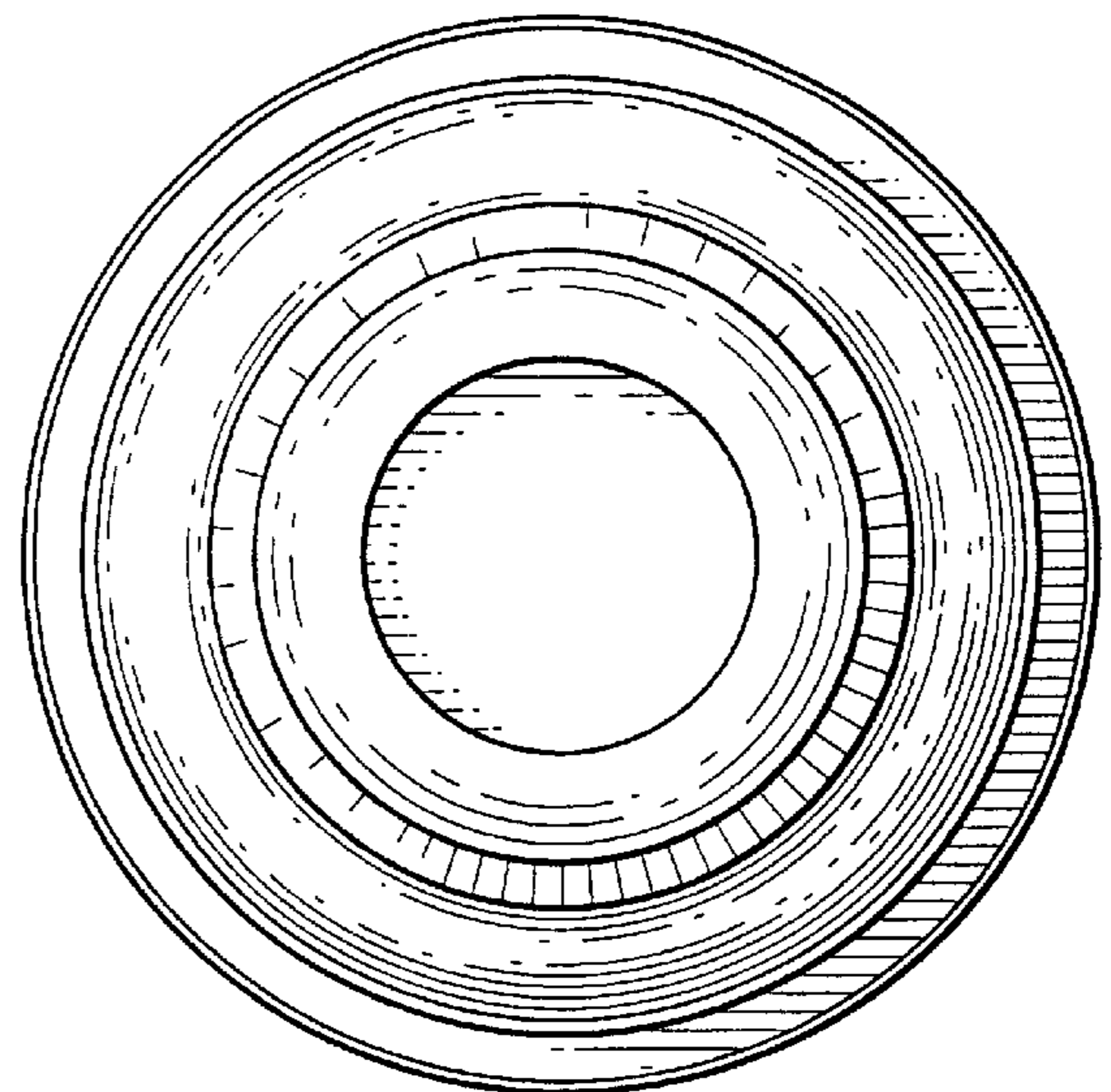


Fig. 12