



US00D482239S

(12) **United States Design Patent**
Bodum

(10) **Patent No.:** **US D482,239 S**

(45) **Date of Patent:** **** Nov. 18, 2003**

(54) **TEA CUP**

(75) Inventor: **Jørgen Bodum**, St. Niklausen (CH)

(73) Assignee: **PI-Design AG**, Triengen (CH)

(**) Term: **14 Years**

(21) Appl. No.: **29/154,050**

(22) Filed: **Jan. 17, 2002**

(30) **Foreign Application Priority Data**

Jul. 26, 2001 (DK) MA 2001 00700

(51) **LOC (7) Cl.** **07-01**

(52) **U.S. Cl.** **D7/536**

(58) **Field of Search** D7/500, 509-537,
D7/396.1-396.6; 229/400, 402; 206/217,
515, 520, 606; 220/719

(56) **References Cited**

U.S. PATENT DOCUMENTS

3,854,583 A * 12/1974 Amberg et al. 206/520
D371,049 S * 6/1996 Cuthbertson et al. D7/536
D379,739 S * 6/1997 Song D7/536
D449,961 S * 11/2001 Miura D7/507

OTHER PUBLICATIONS

Tableware International magazine, Jun. 2001, p. 30., mug top left.*

Monogah Glass Co. Catalog No. 6; Apr. 1, 1920; pp. 135 & 137, items #8161 & #8171.*

* cited by examiner

Primary Examiner—Caron D. Veynar

(74) *Attorney, Agent, or Firm*—Nath & Associates PLLC; Gary M. Nath

(57) **CLAIM**

The ornamental design for a tea cup, as shown and described.

DESCRIPTION

FIG. 1 is an oblique perspective view of the tea cup; FIG. 2 is a right side view of the tea cup, as shown in FIG. 1; FIG. 3 is a left side view of the tea cup; FIG. 4 is a front side view of the tea cup; FIG. 5 is a back view of the tea cup; FIG. 6 is a top view of the tea cup; and, FIG. 7 is a bottom view of the tea cup.

1 Claim, 7 Drawing Sheets

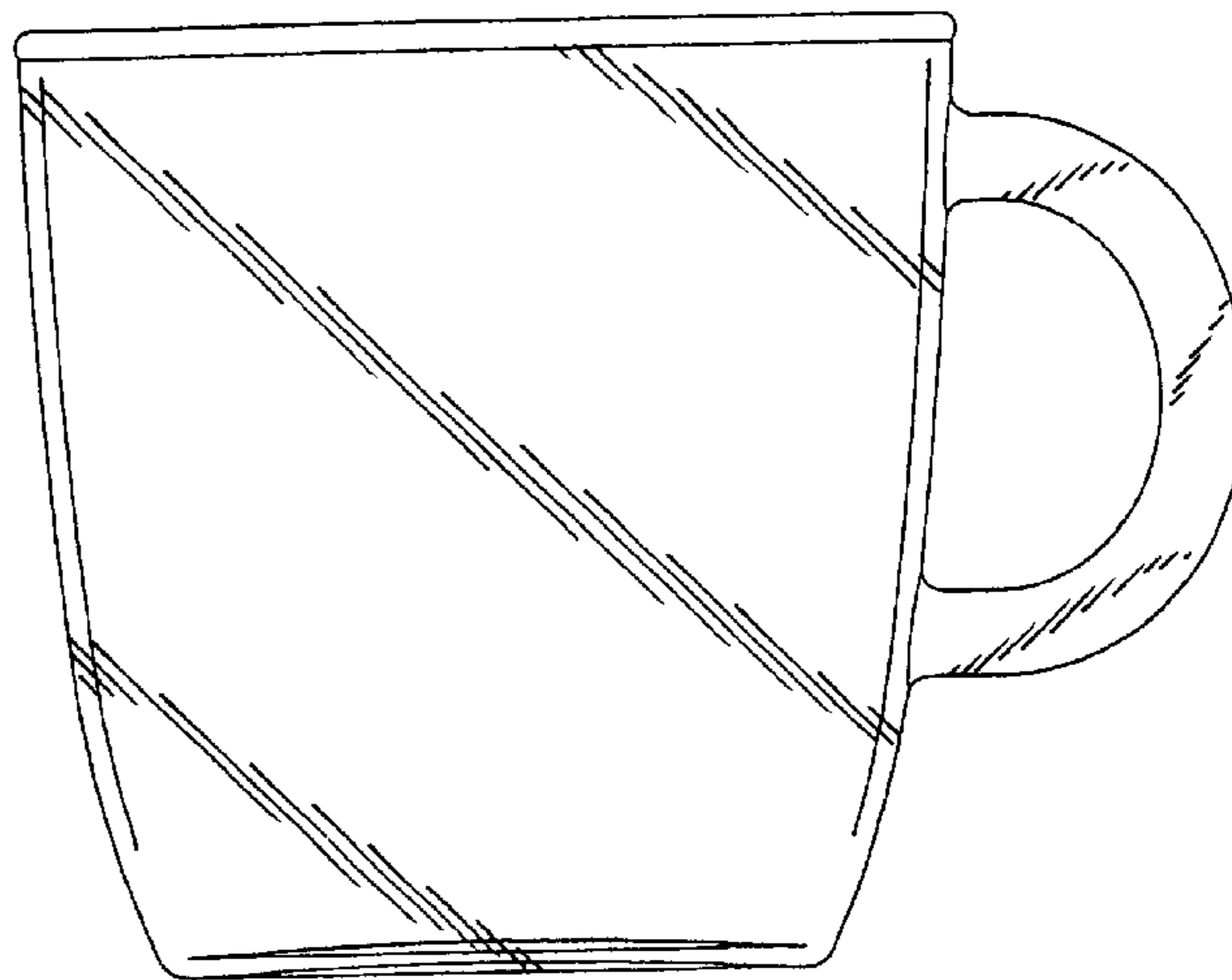
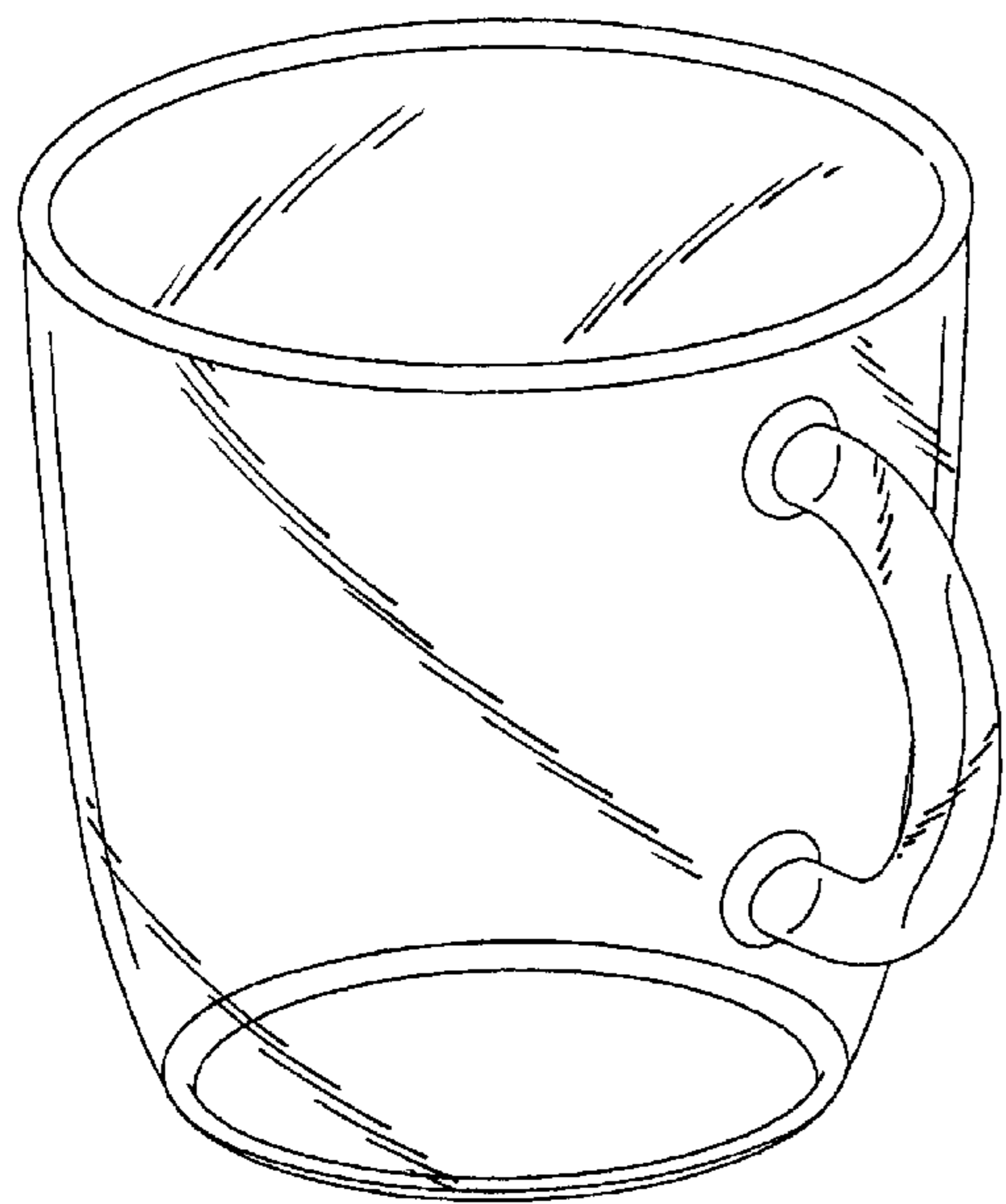


FIG. 1

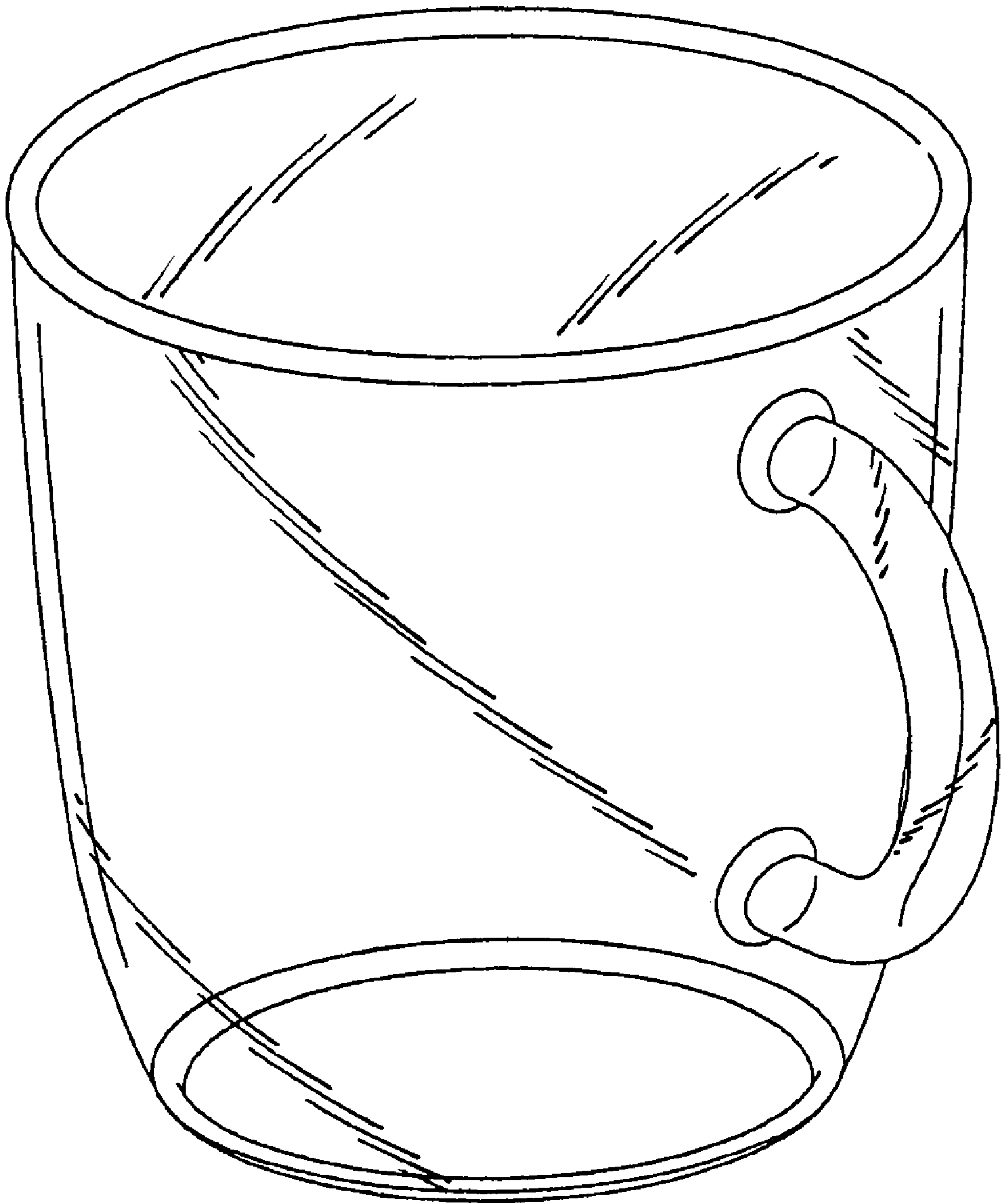


FIG. 2

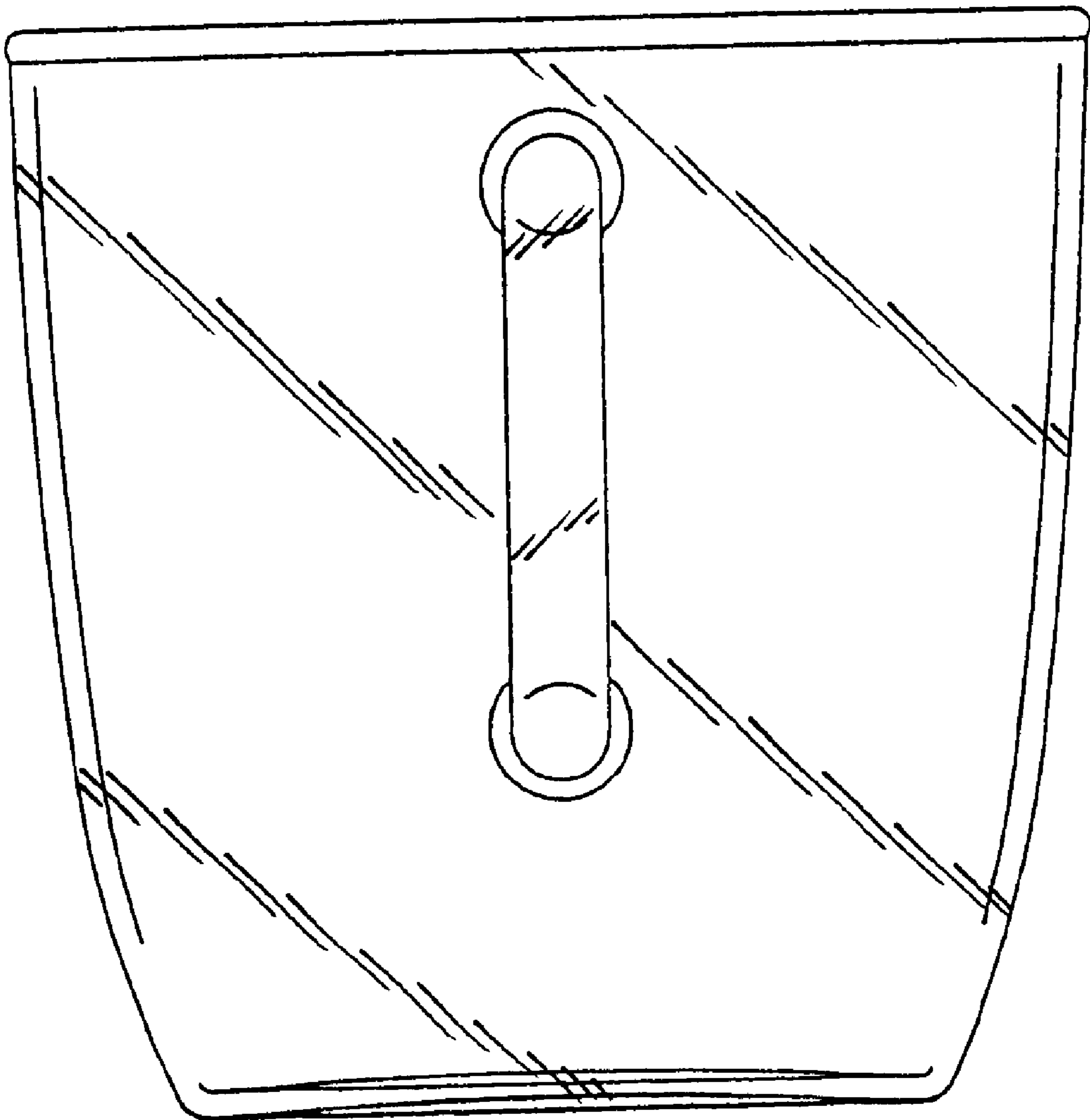


FIG. 3

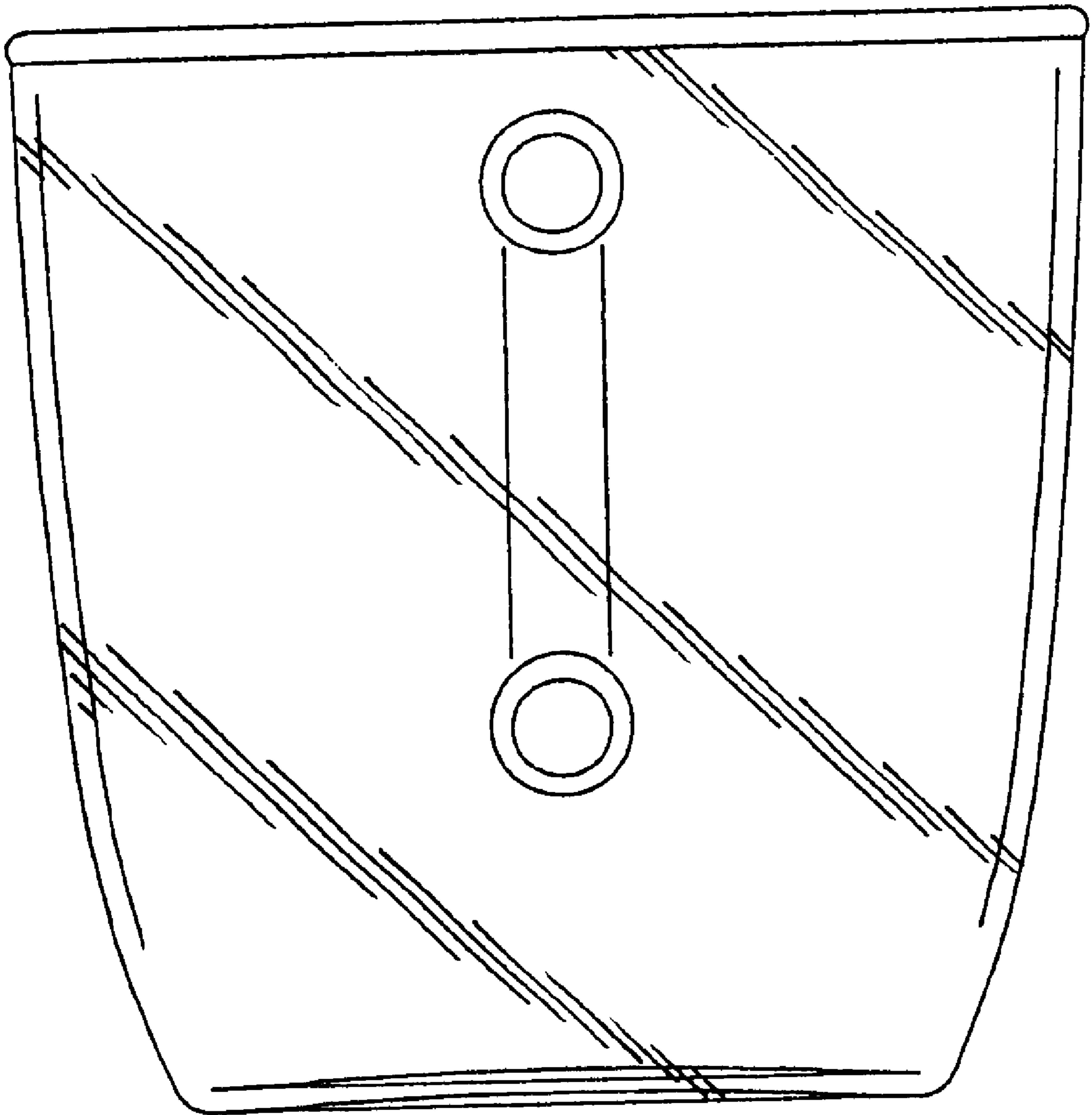


FIG. 4

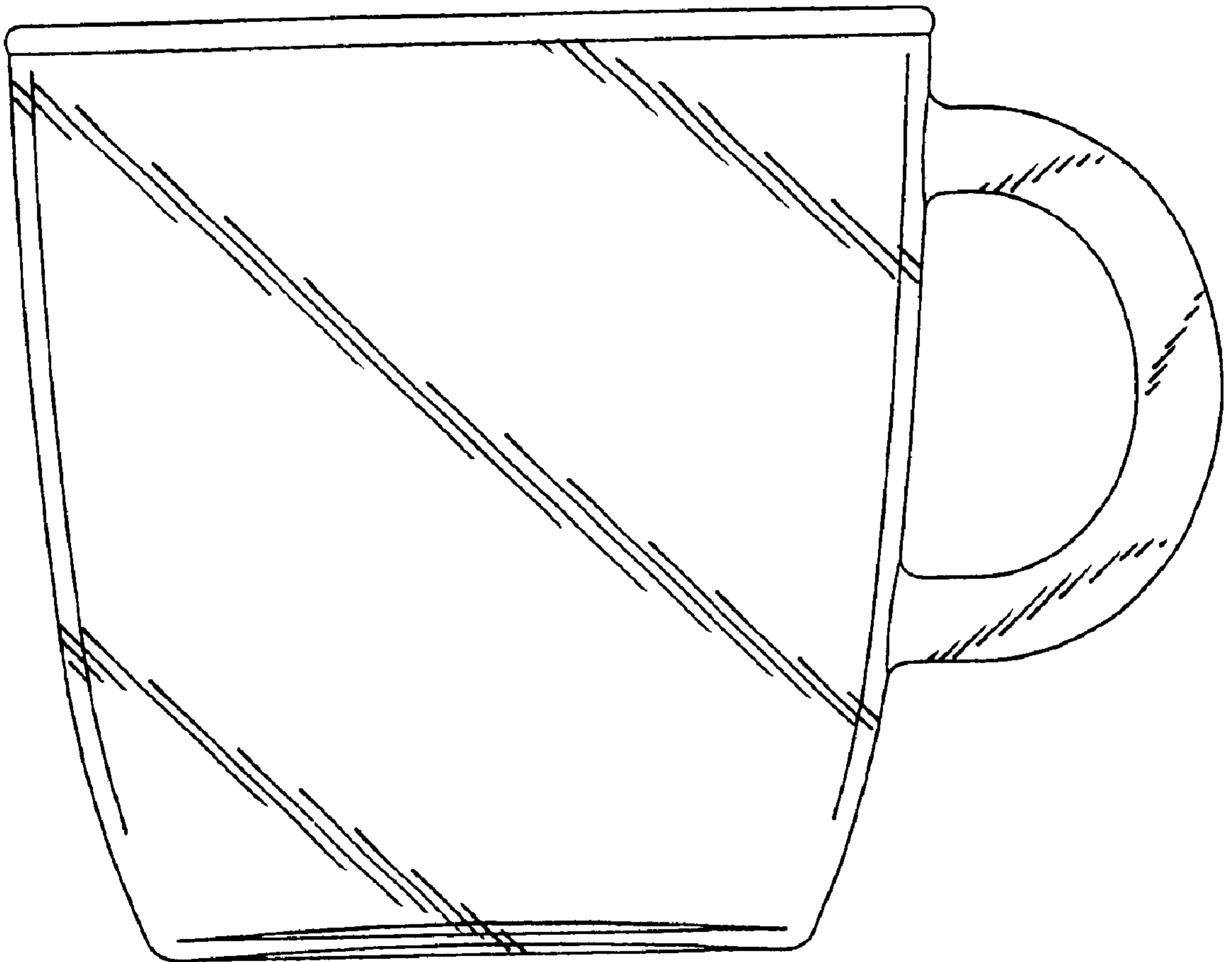


FIG. 5

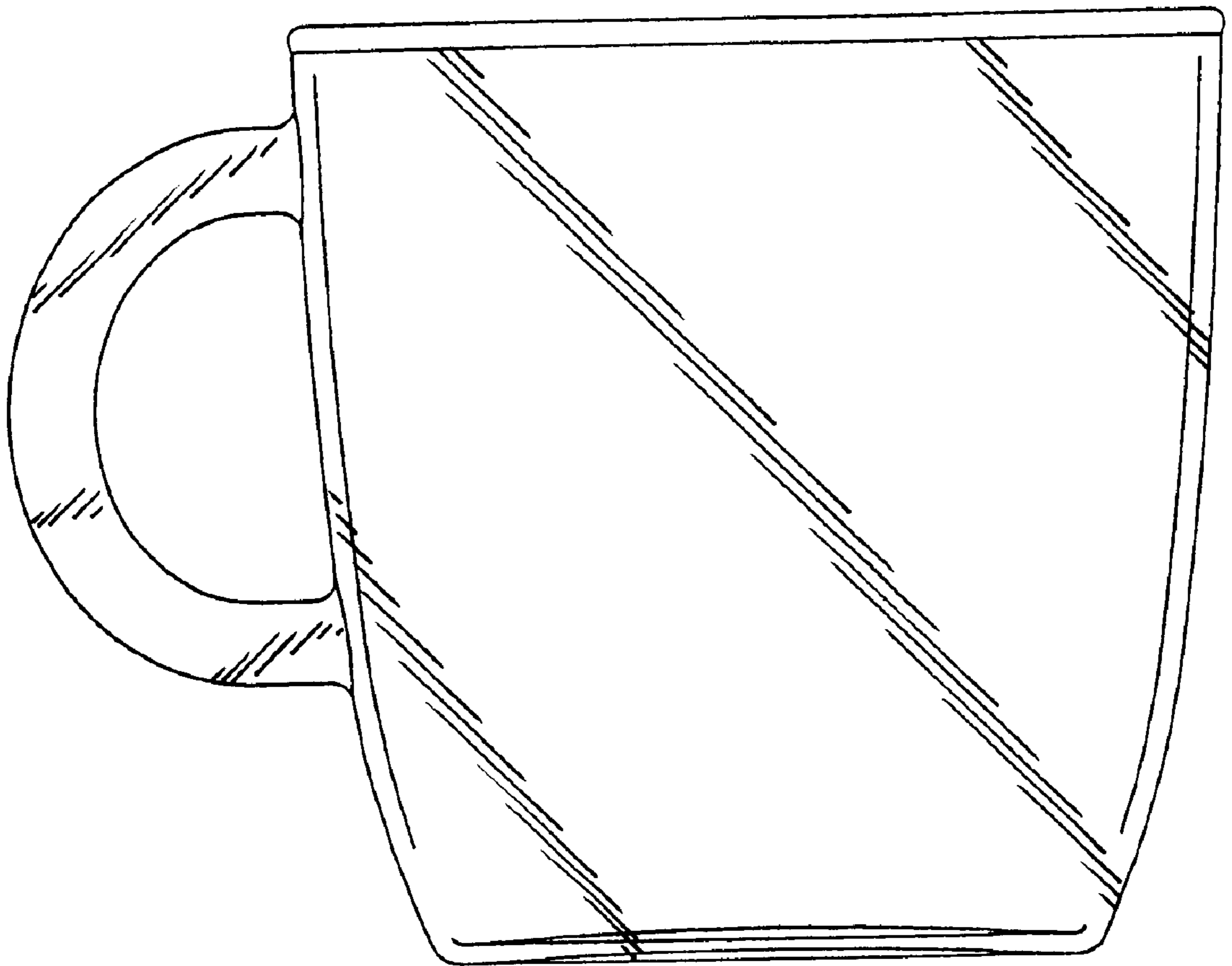


FIG. 6

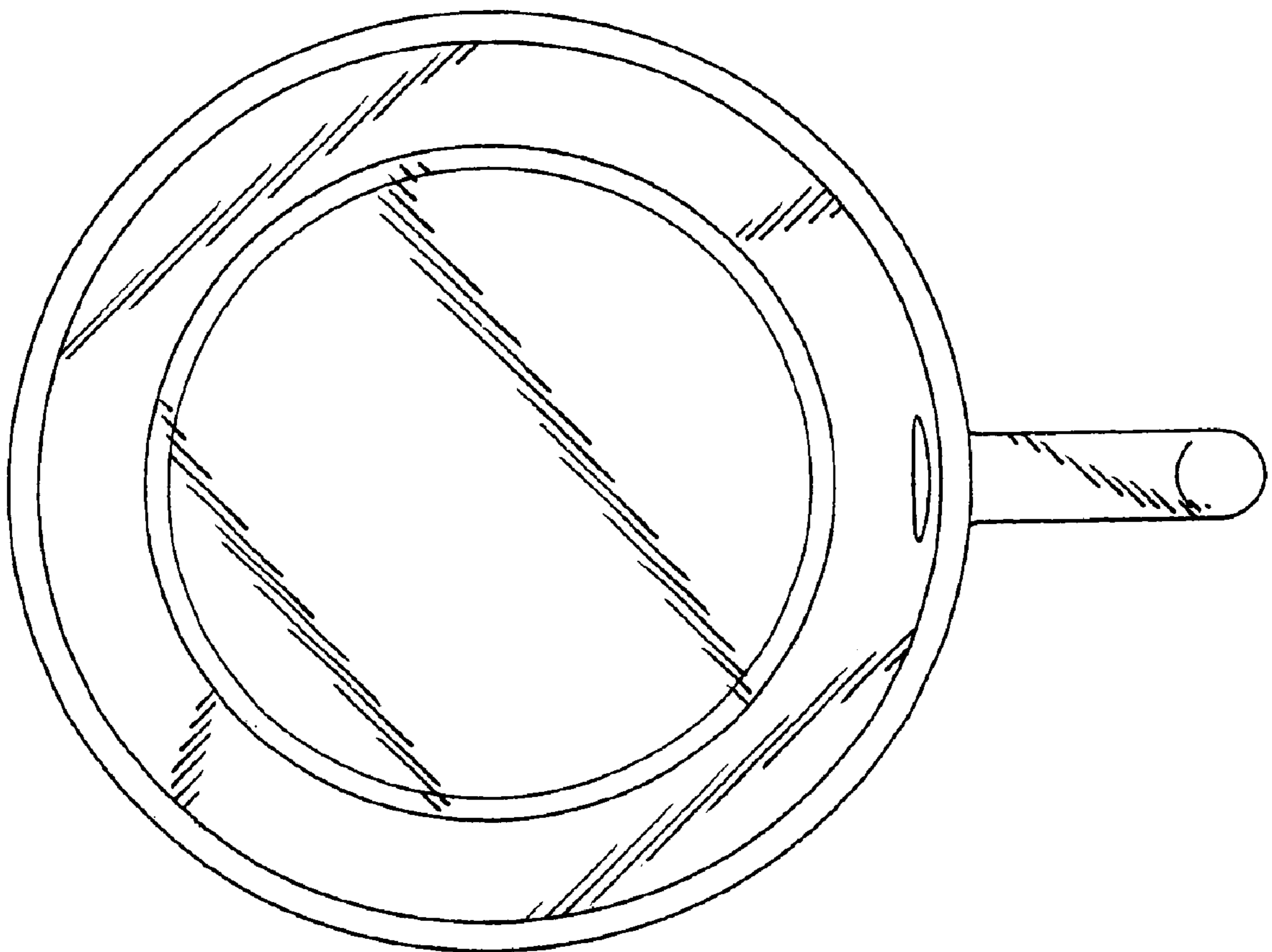


FIG. 7

