



US00D482235S

(12) **United States Design Patent** (10) **Patent No.:** **US D482,235 S**
Yui (45) **Date of Patent:** **** Nov. 18, 2003**

(54) **TAP**
(76) **Inventor:** **George Yui**, 260 Scarlet Road, Toronto, Ontario (CA), M6N 4X6
(**) **Term:** **14 Years**
(21) **Appl. No.:** **29/169,831**
(22) **Filed:** **Oct. 28, 2002**

D370,379 S * 6/1996 Klein et al. D7/313
D378,400 S * 3/1997 Kowalics D23/238
D389,002 S * 1/1998 Demore et al. D7/313
D400,391 S * 11/1998 Hulley D7/313
6,086,045 A 7/2000 Moon 251/109
D429,943 S * 8/2000 Yu D7/306
D450,533 S * 11/2001 Bellon et al. D7/398
D463,194 S * 9/2002 Busick et al. D7/313
D471,054 S * 3/2003 Gantt D7/313

(30) **Foreign Application Priority Data**
May 13, 2002 (CA) 99365
(51) **LOC (7) Cl.** **07-99**
(52) **U.S. Cl.** **D7/398; D7/397**
(58) **Field of Search** D7/398, 397, 313, D7/306; D23/238, 255, 207; 137/317, 212; D34/39; 222/146.6, 399, 400.7, 185.1, 153.1; 366/149; 251/335.1, 98, 109, 114

FOREIGN PATENT DOCUMENTS

EP 1 148 278 4/2001

* cited by examiner

Primary Examiner—M. N. Pandozzi
(74) *Attorney, Agent, or Firm*—Ridout & Maybee LLP

(56) **References Cited**
U.S. PATENT DOCUMENTS
2,147,287 A 2/1939 Farmer 251/335.1
D189,588 S * 1/1961 Palma D7/313
3,664,643 A * 5/1972 Neve 366/149
D240,624 S * 7/1976 MacMurray D23/207
D244,850 S * 6/1977 Wilson D7/311
D249,701 S * 9/1978 Maples et al. D23/207
D295,138 S * 4/1988 Hyde D7/398
D318,395 S * 7/1991 Juergens D7/311
D337,234 S * 7/1993 McGinnis D7/306
5,470,044 A 11/1995 Chi 251/98

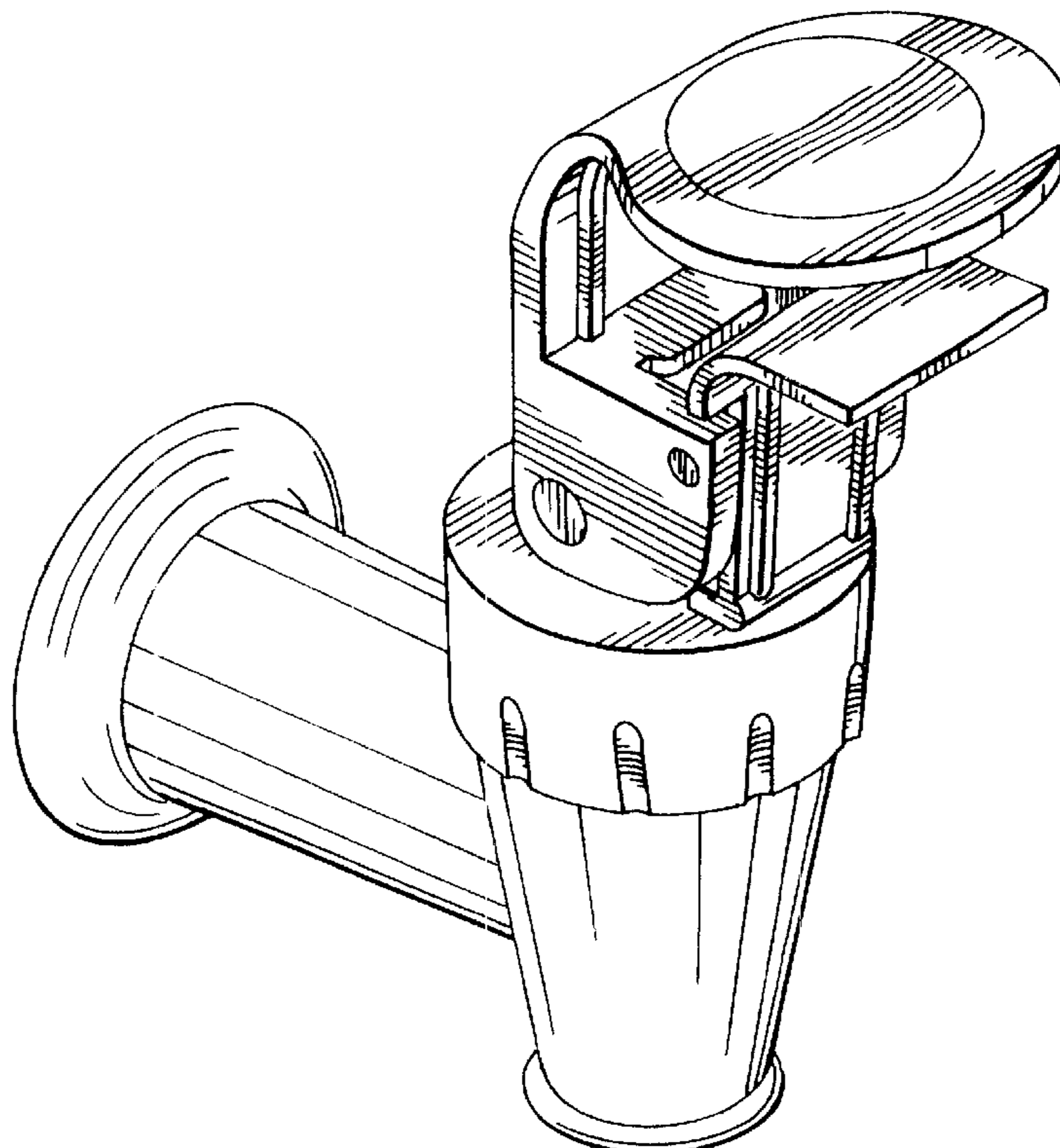
(57) **CLAIM**

The ornamental design for a tap, as shown and described.

DESCRIPTION

FIG. 1 is a perspective view of a tap taken from the front and the left side showing my new design; FIG. 2 is a front elevational view of the tap shown in FIG. 1; FIG. 3 is a right side view of the tap shown in FIG. 1, the left side view being a mirror image thereof; FIG. 4 is a top view of the tap shown in FIG. 1; FIG. 5 is a bottom view of the tap shown in FIG. 1; and, FIG. 6 is a rear view of the tap shown in FIG. 1.

1 Claim, 2 Drawing Sheets



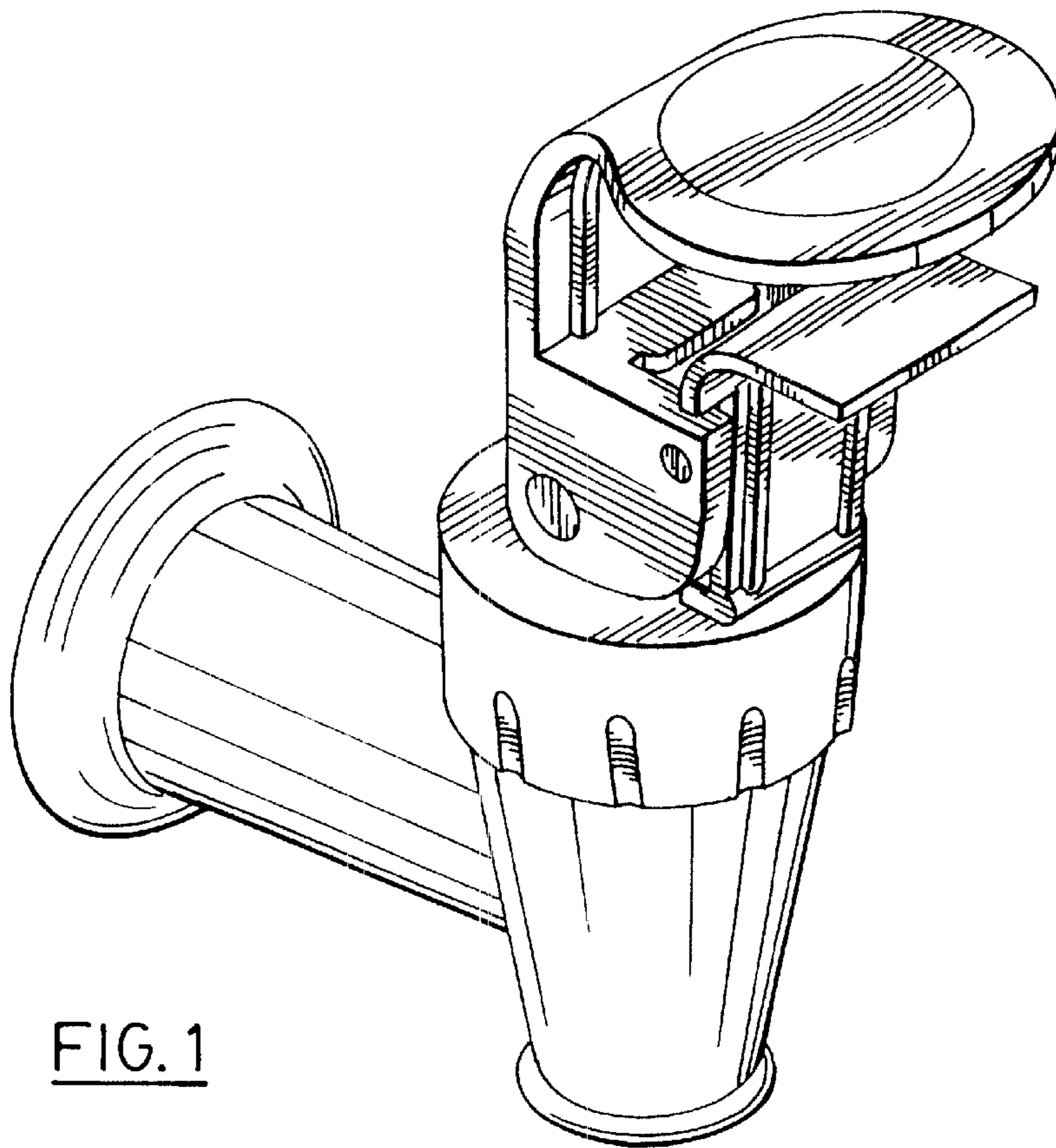


FIG. 1

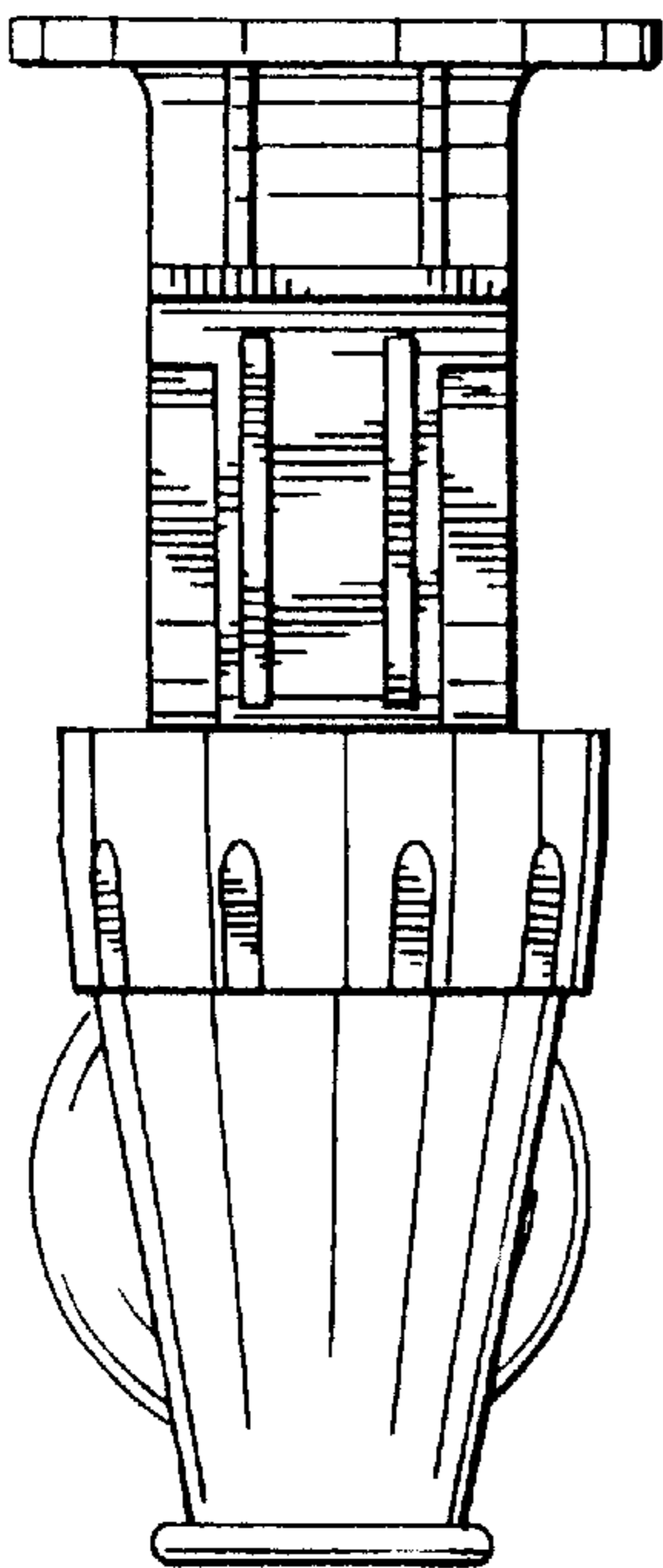


FIG. 2

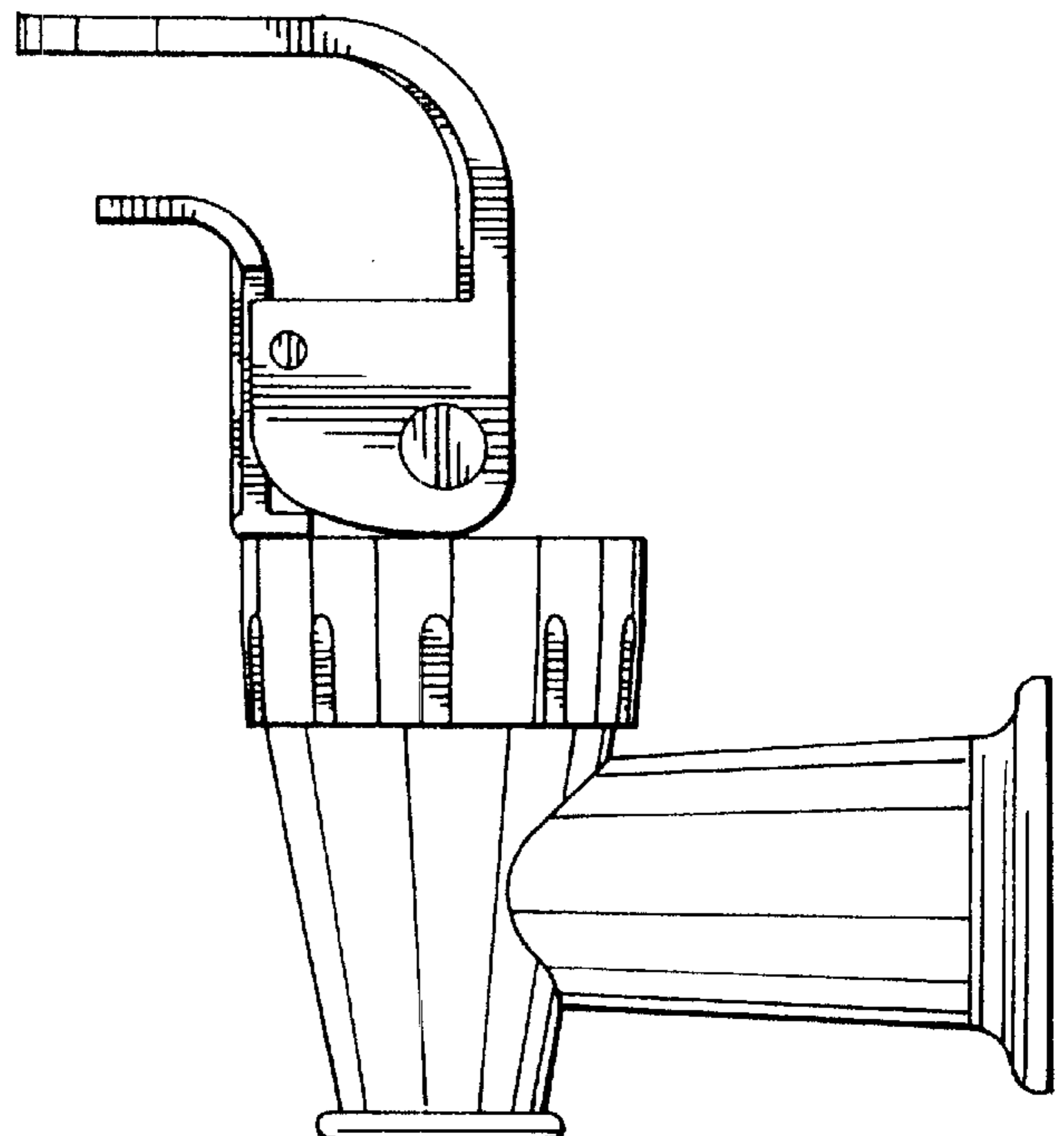


FIG. 3

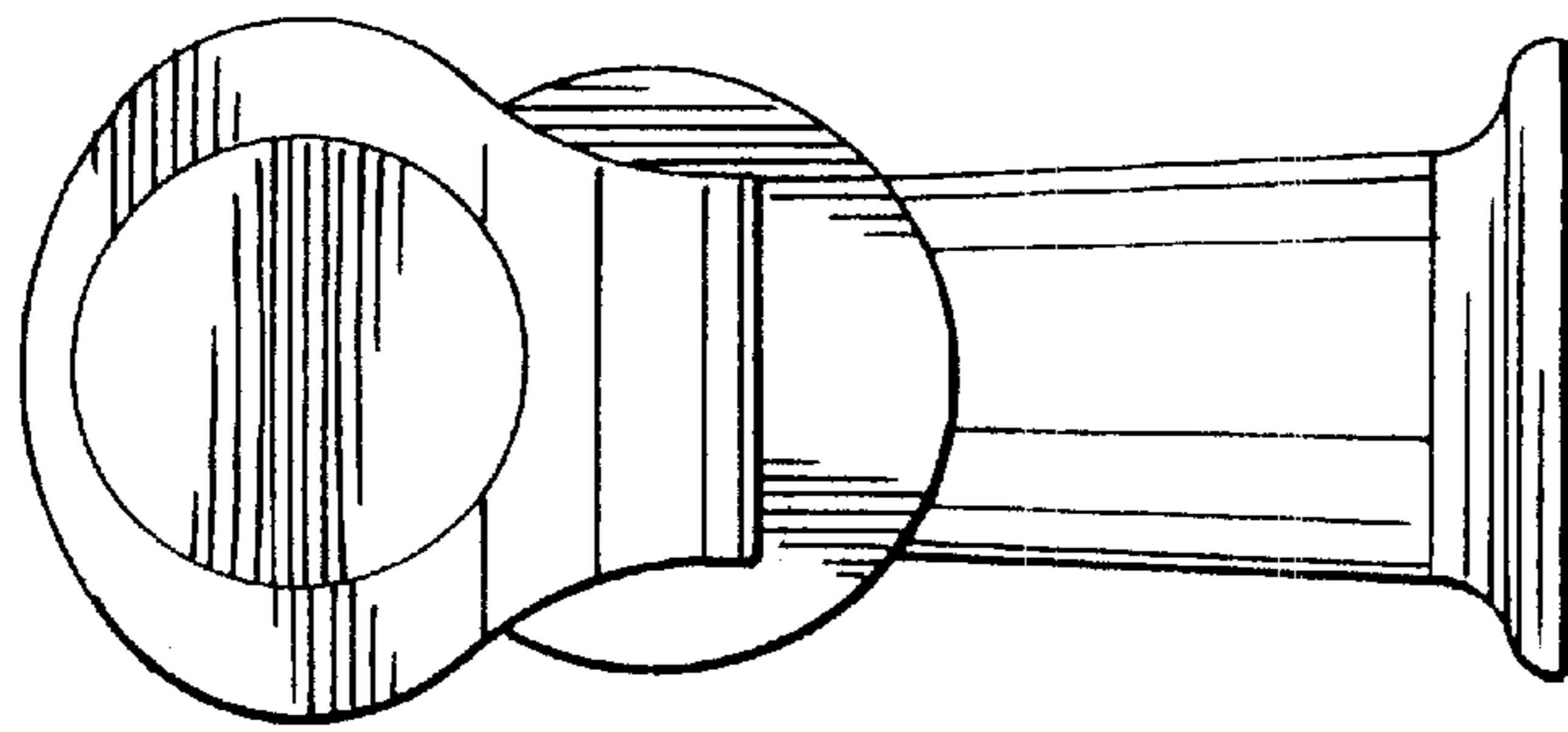


FIG. 4

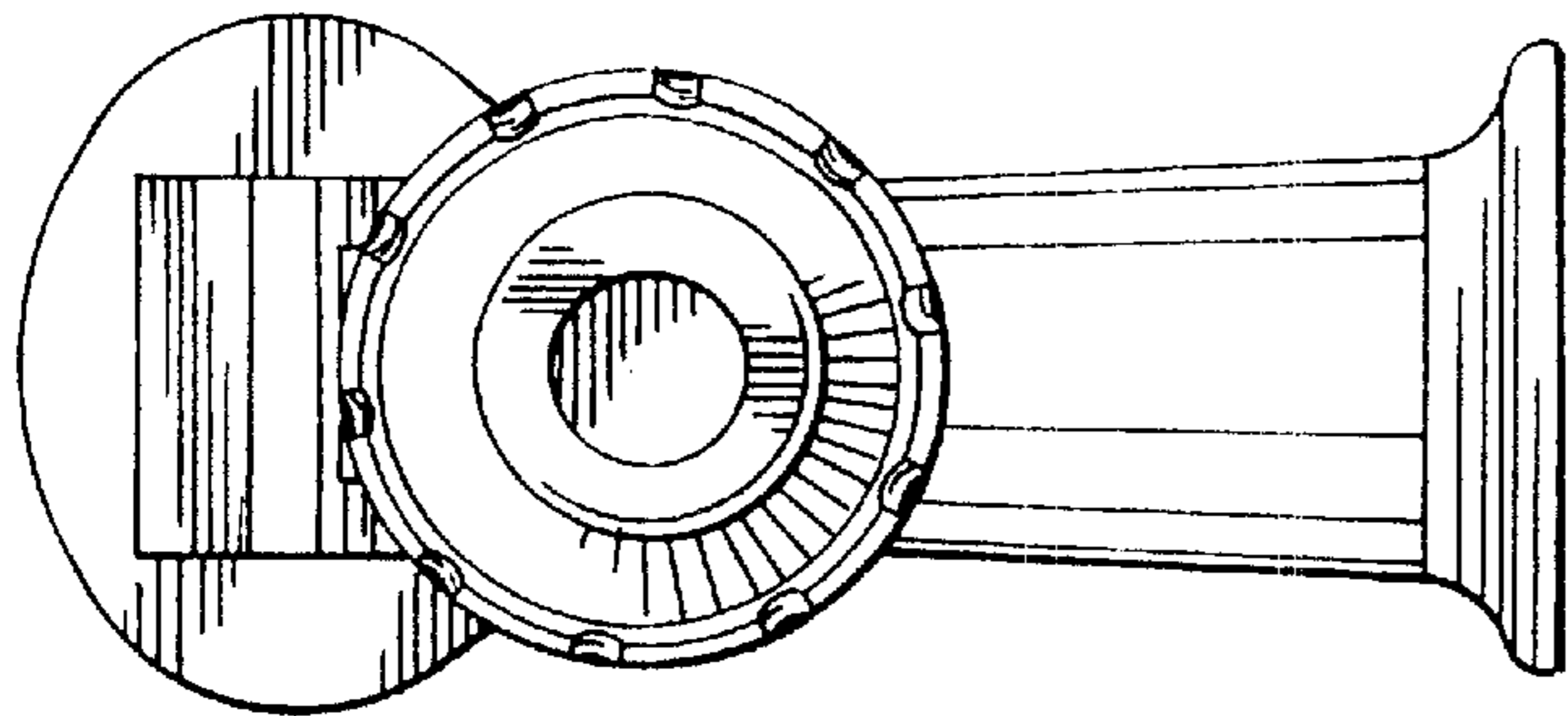


FIG. 5

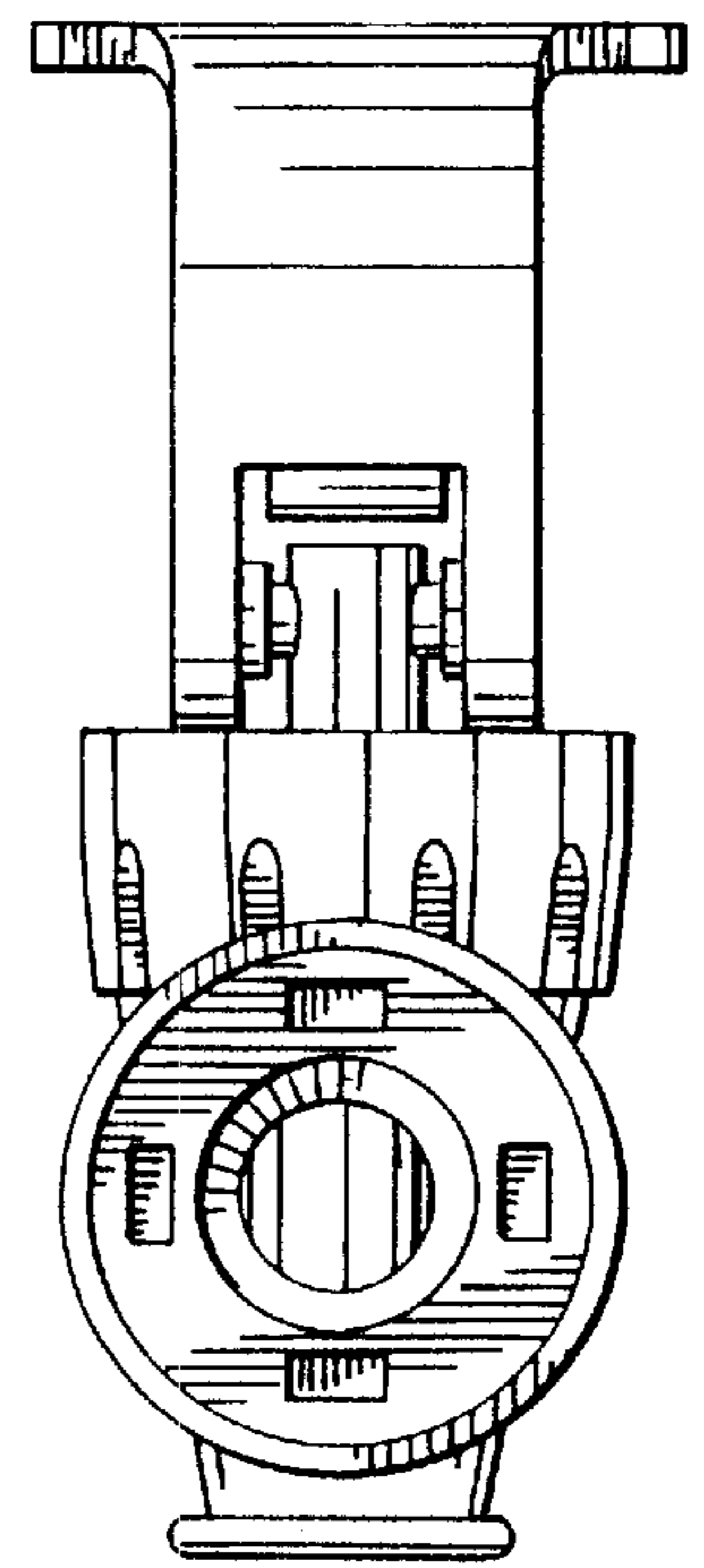


FIG. 6