



US00D482234S

(12) **United States Design Patent**
Rae

(10) **Patent No.:** **US D482,234 S**

(45) **Date of Patent:** **** Nov. 18, 2003**

(54) **HANDLE SET FOR ARTICLE OF COOKWARE**

(74) *Attorney, Agent, or Firm*—Wood, Herron & Evans, L.L.P.

(75) **Inventor:** **Bob Rae, Kowloon (HK)**

(57) **CLAIM**

(73) **Assignee:** **Meyer Intellectual Properties Limited, Kowloon (HK)**

The ornamental design for “handle set for article of cookware”, as shown and described.

(**) **Term:** **14 Years**

DESCRIPTION

(21) **Appl. No.:** **29/173,817**

FIG. 1 is a perspective view of “handle set for article of cookware” showing my new design;

(22) **Filed:** **Jan. 7, 2003**

(51) **LOC (7) Cl.** **07-02**

FIG. 2 is a top view thereof;

(52) **U.S. Cl.** **D7/394; D7/395**

FIG. 3 is a bottom view thereof;

(58) **Field of Search** D7/393–395, 354–361; D8/306, 317; 16/110.1, 430, 431, 436, 444, DIG. 12, DIG. 18, DIG. 19, DIG. 24; 220/573.1–573.5, 752–755, 769, 768, 912

FIG. 4 is a side view thereof;

FIG. 5 is another side view thereof;

(56) **References Cited**

FIG. 6 is a front view thereof; and,

FIG. 7 is a rear view thereof.

U.S. PATENT DOCUMENTS

4,794,666 A * 1/1989 Kim 220/753

OTHER PUBLICATIONS

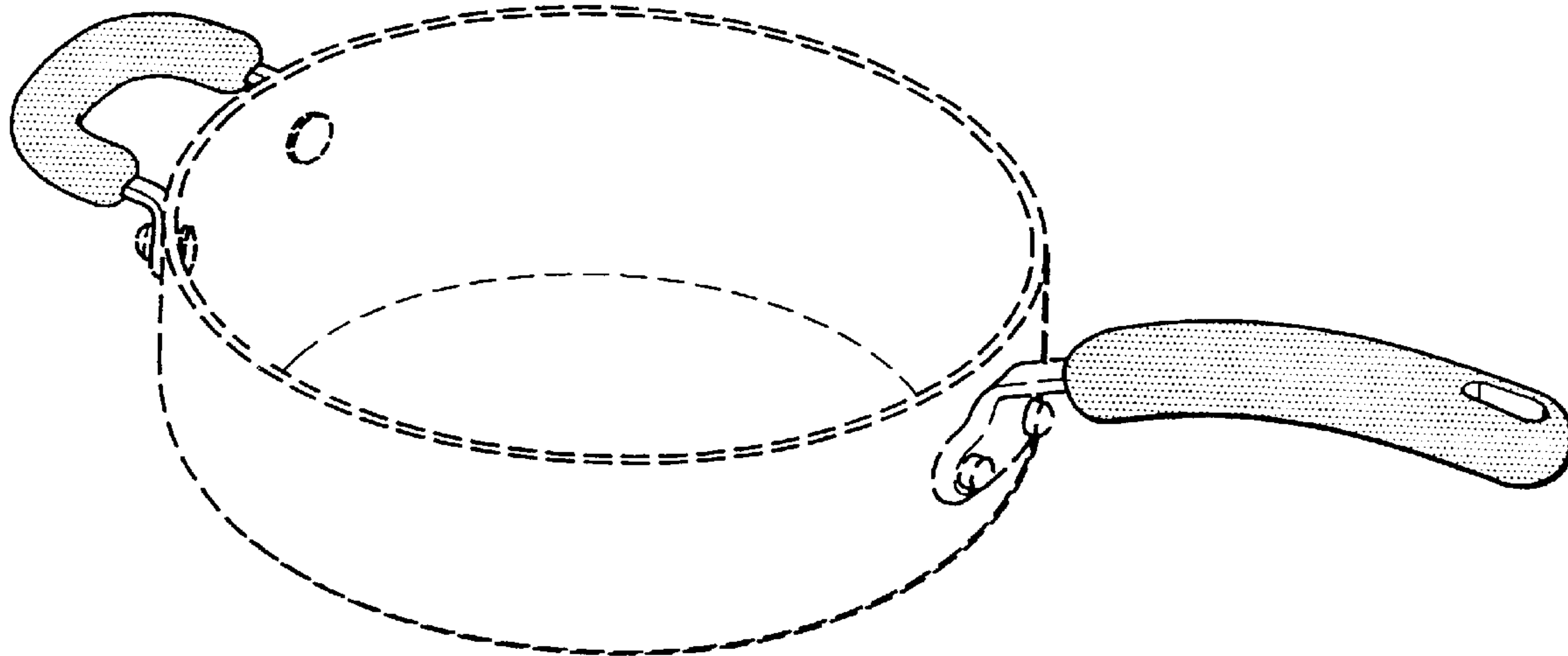
Chef’s Catalog, 2/00, p. 2, cookware set, top of page.*

The part of the drawings shown in phantom lines depicts the environment of my new design and forms no part of the design of my design.

* cited by examiner

Primary Examiner—Terry A. Wallace

1 Claim, 6 Drawing Sheets



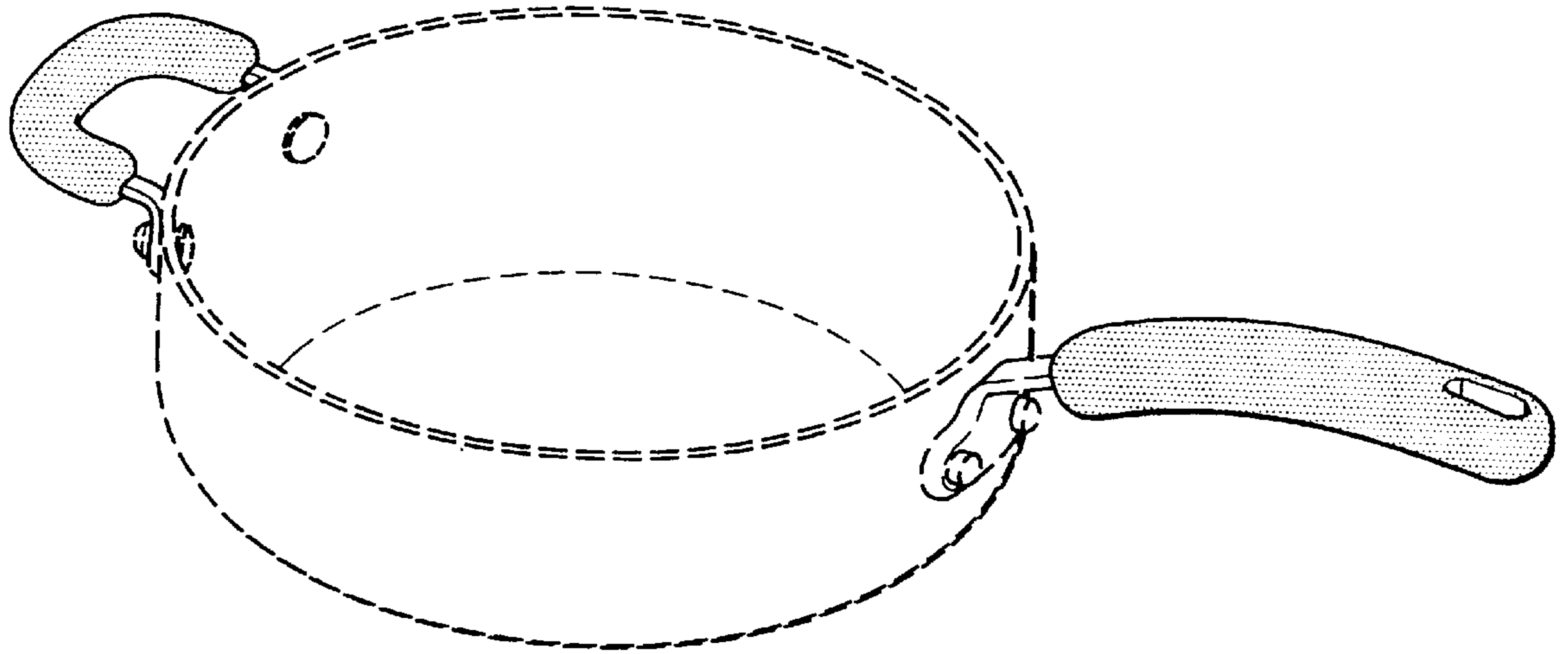


FIG. 1

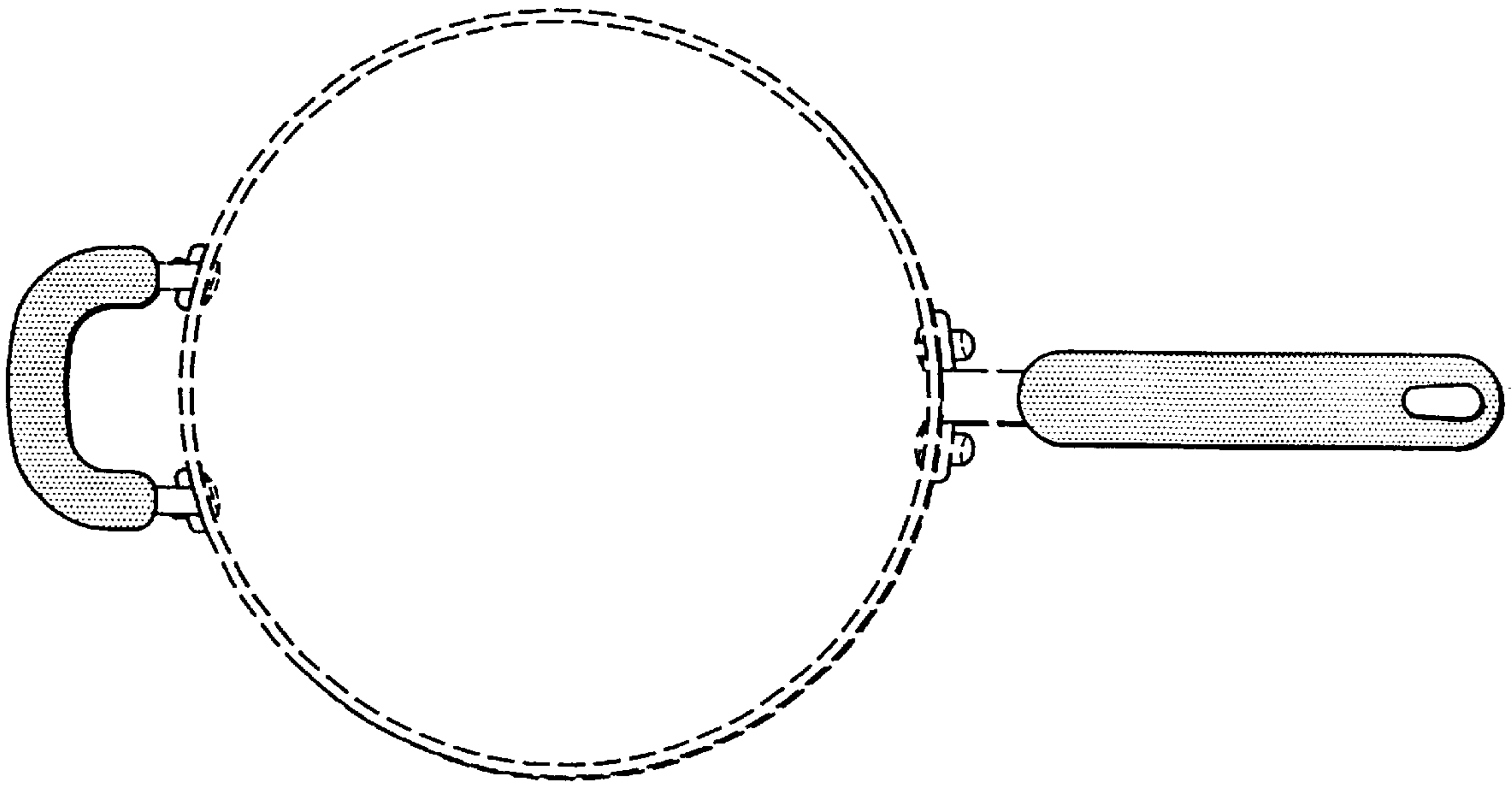


FIG. 2

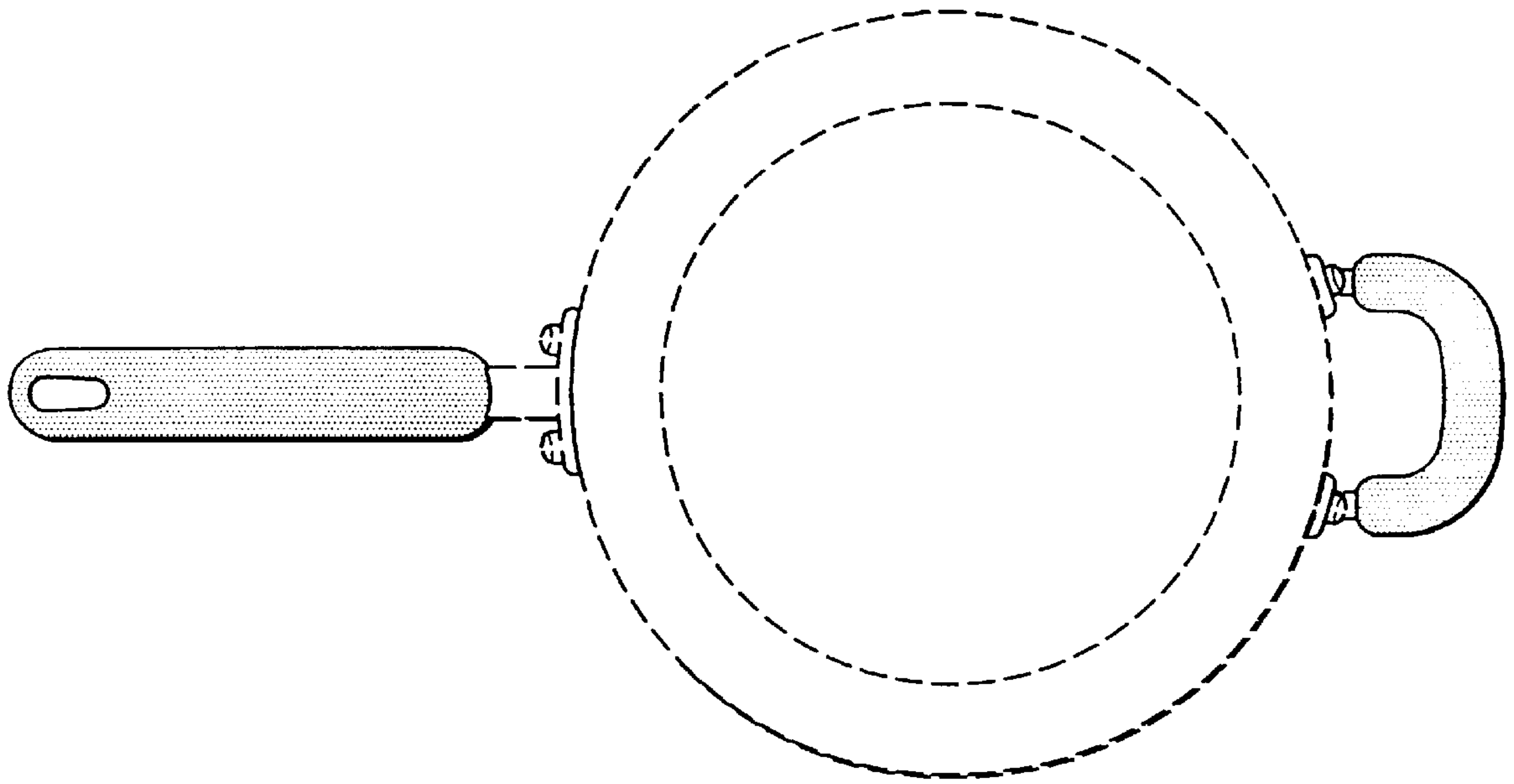


FIG. 3

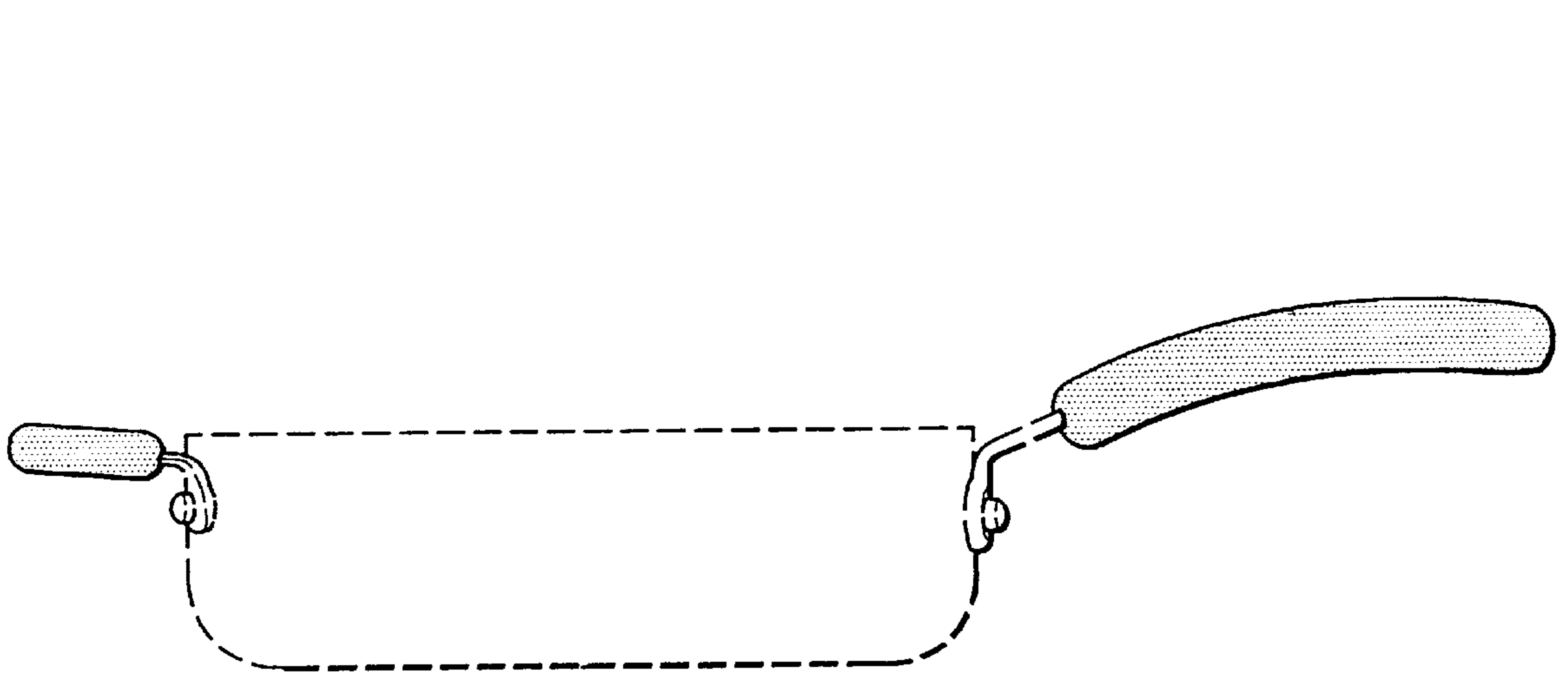


FIG. 4

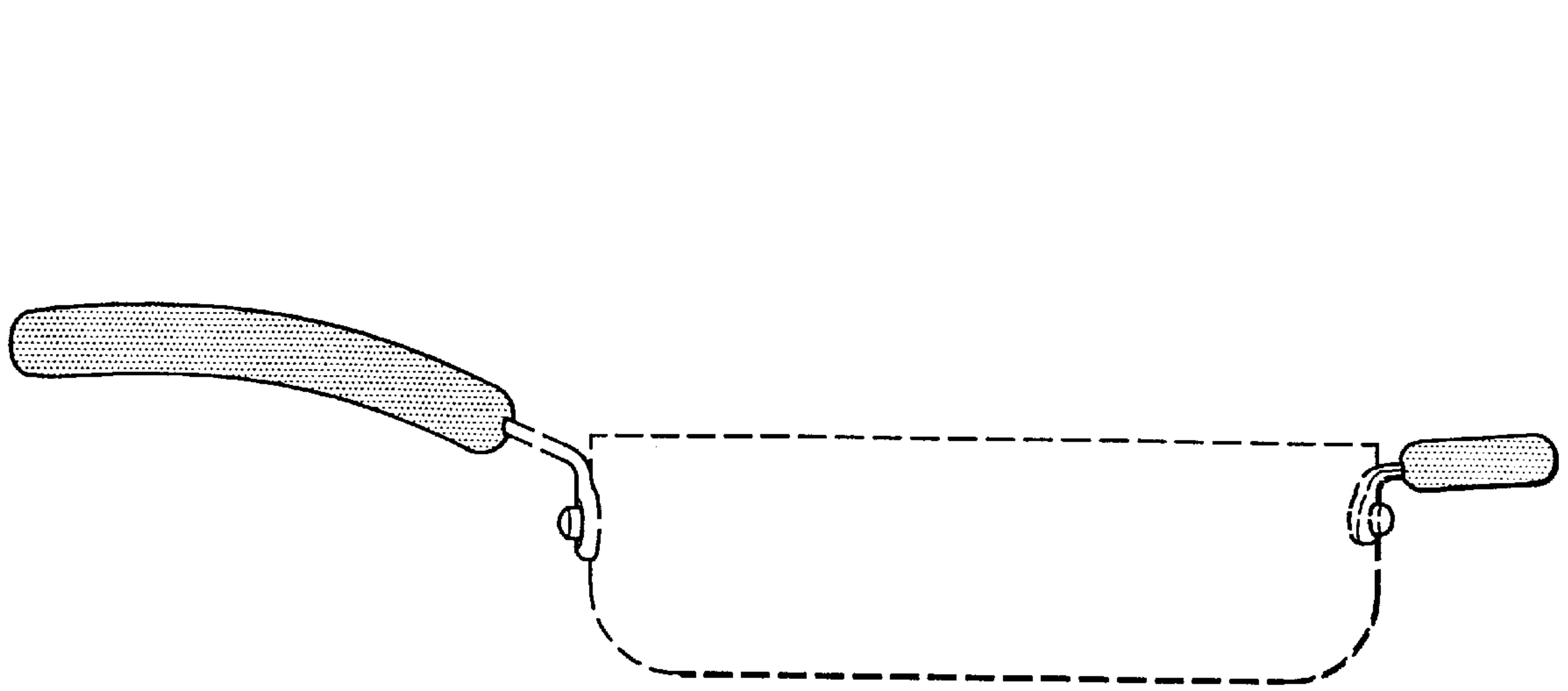


FIG. 5

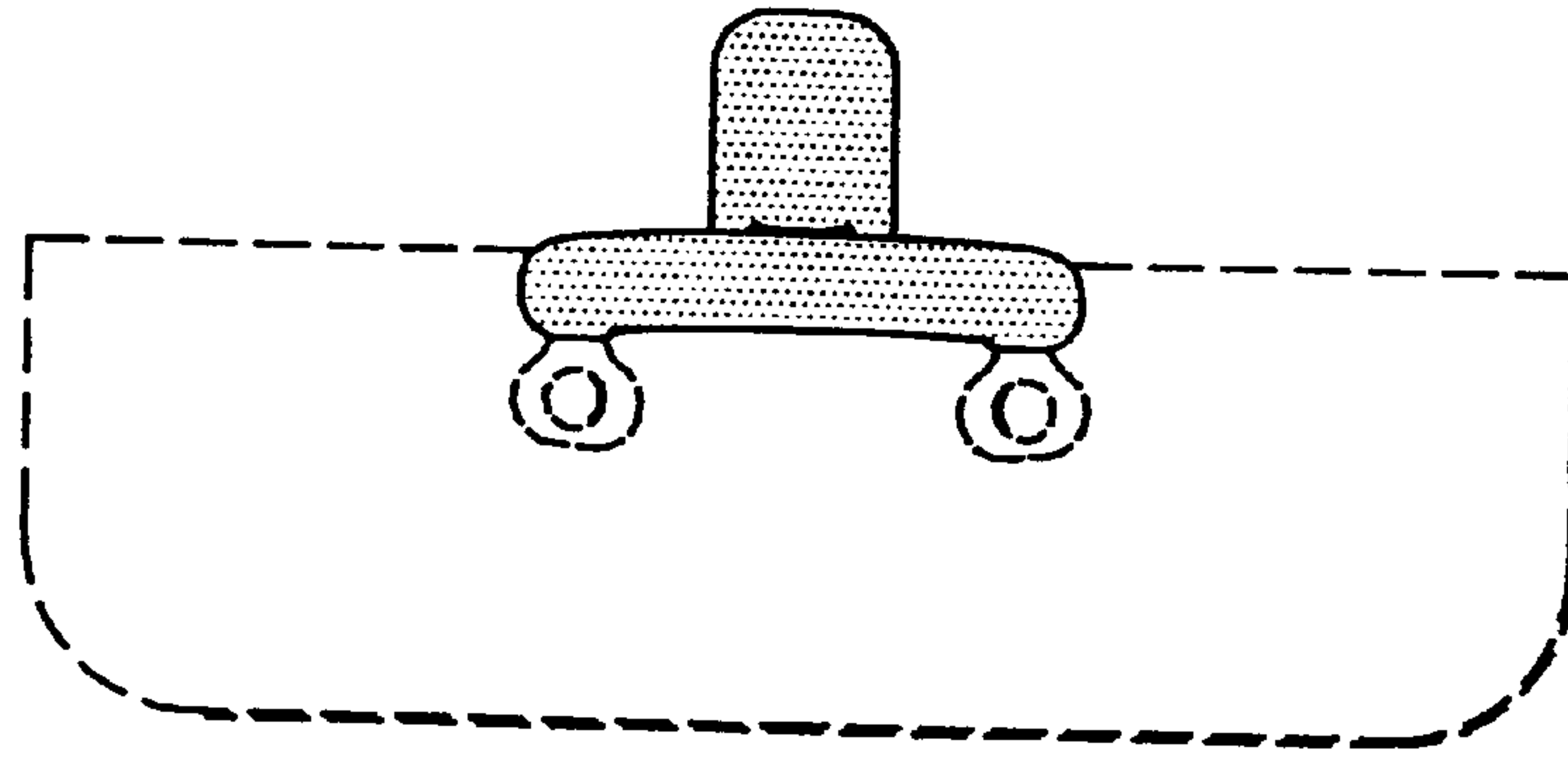


FIG. 6

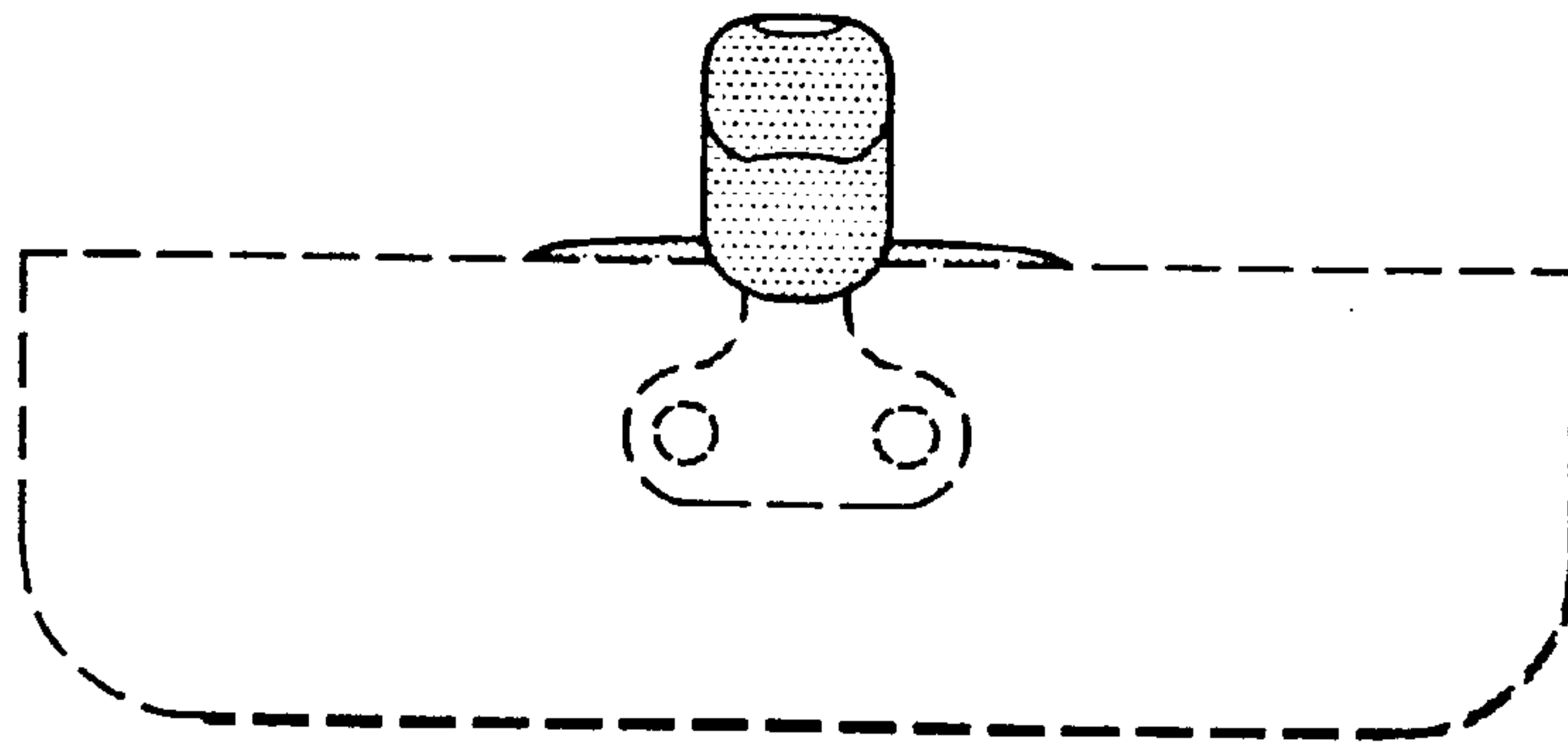


FIG. 7