



US00D482230S

(12) **United States Design Patent**
Lai

(10) **Patent No.:** **US D482,230 S**

(45) **Date of Patent:** **** Nov. 18, 2003**

(54) **FOOTBALL-SHAPED BARBECUE GRILL**

(76) **Inventor:** **Alfred Y. Lai**, 8286 Western Way Cir.,
Unit D-7, Jacksonville, FL (US) 32256

(**) **Term:** **14 Years**

(21) **Appl. No.:** **29/169,210**

(22) **Filed:** **Oct. 16, 2002**

(51) **LOC (7) Cl.** **07-02**

(52) **U.S. Cl.** **D7/332**

(58) **Field of Search** D7/332-337, 402-404;
126/25 R, 25 A, 25 AA, 41 R, 29-30, 9 R,
9 A, 9 B, 8; 99/419, 421 R

(56) **References Cited**

U.S. PATENT DOCUMENTS

D314,882 S	*	2/1991	Bethel, Jr.	D7/334
D385,146 S	*	10/1997	Fielding et al.	D7/332
D396,599 S	*	8/1998	Smith, Jr.	D7/332
D421,200 S	*	2/2000	Taylor, Jr.	D7/332
D435,998 S	*	1/2001	Mak	D7/332

D465,381 S	*	11/2002	Favela	D7/334
D465,694 S	*	11/2002	Favela	D7/334
D465,962 S	*	11/2002	Favela	D7/335
D473,428 S	*	4/2003	Mak	D7/606

* cited by examiner

Primary Examiner—Ruth McInroy

(74) *Attorney, Agent, or Firm*—Allen, Dyer, Doppelt,
Milbrath & Gilchrist, P.A.

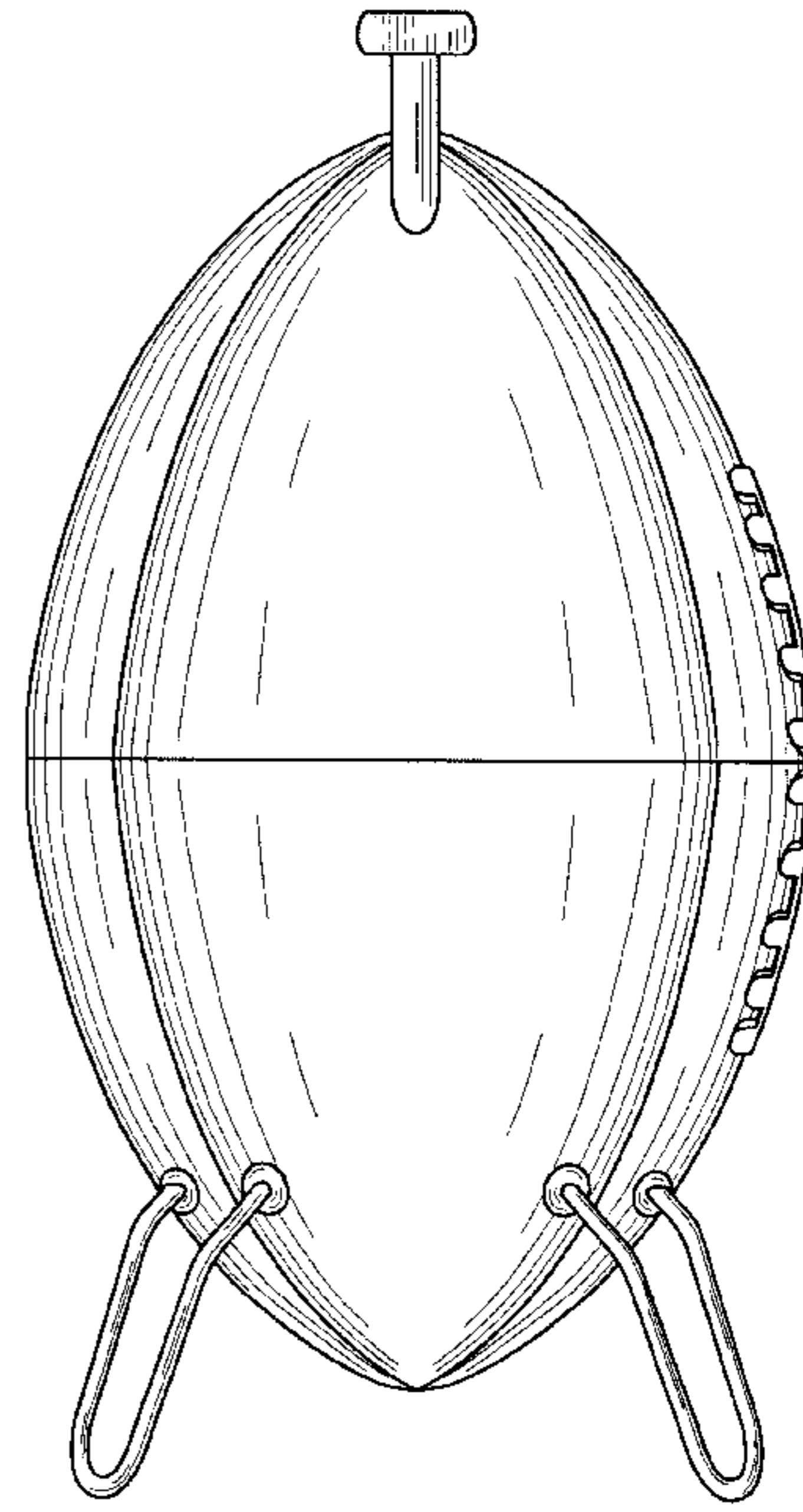
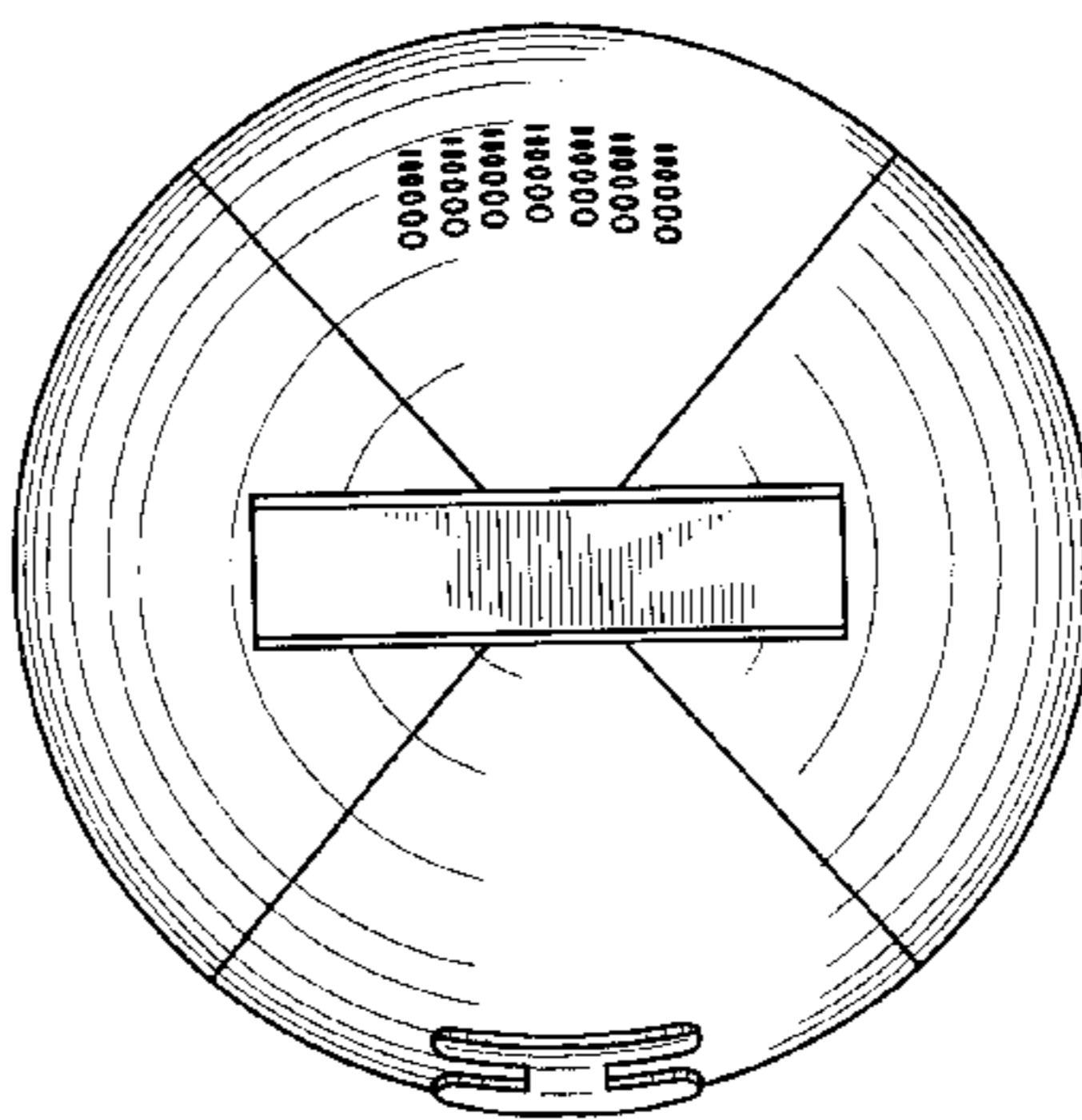
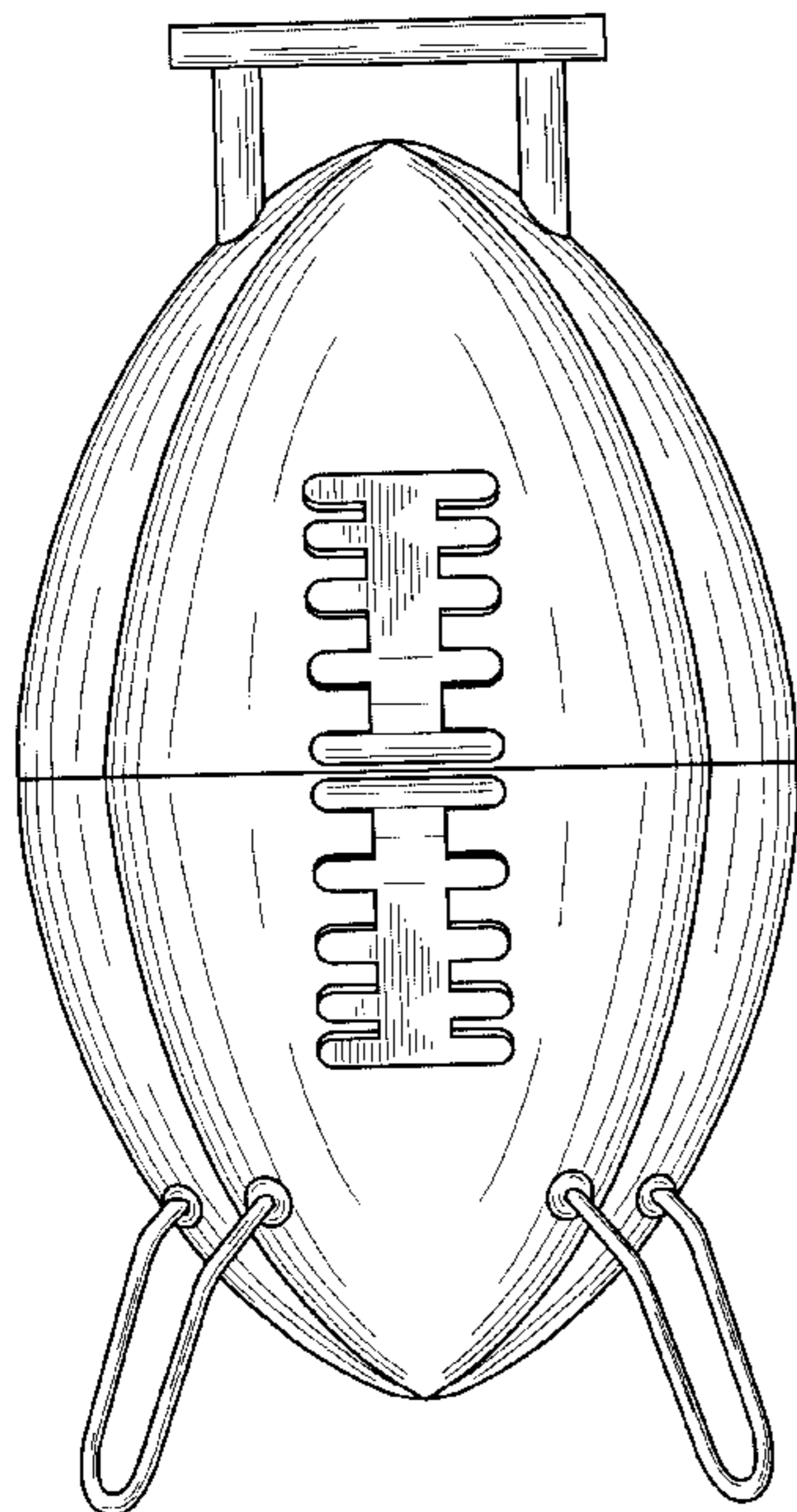
(57) **CLAIM**

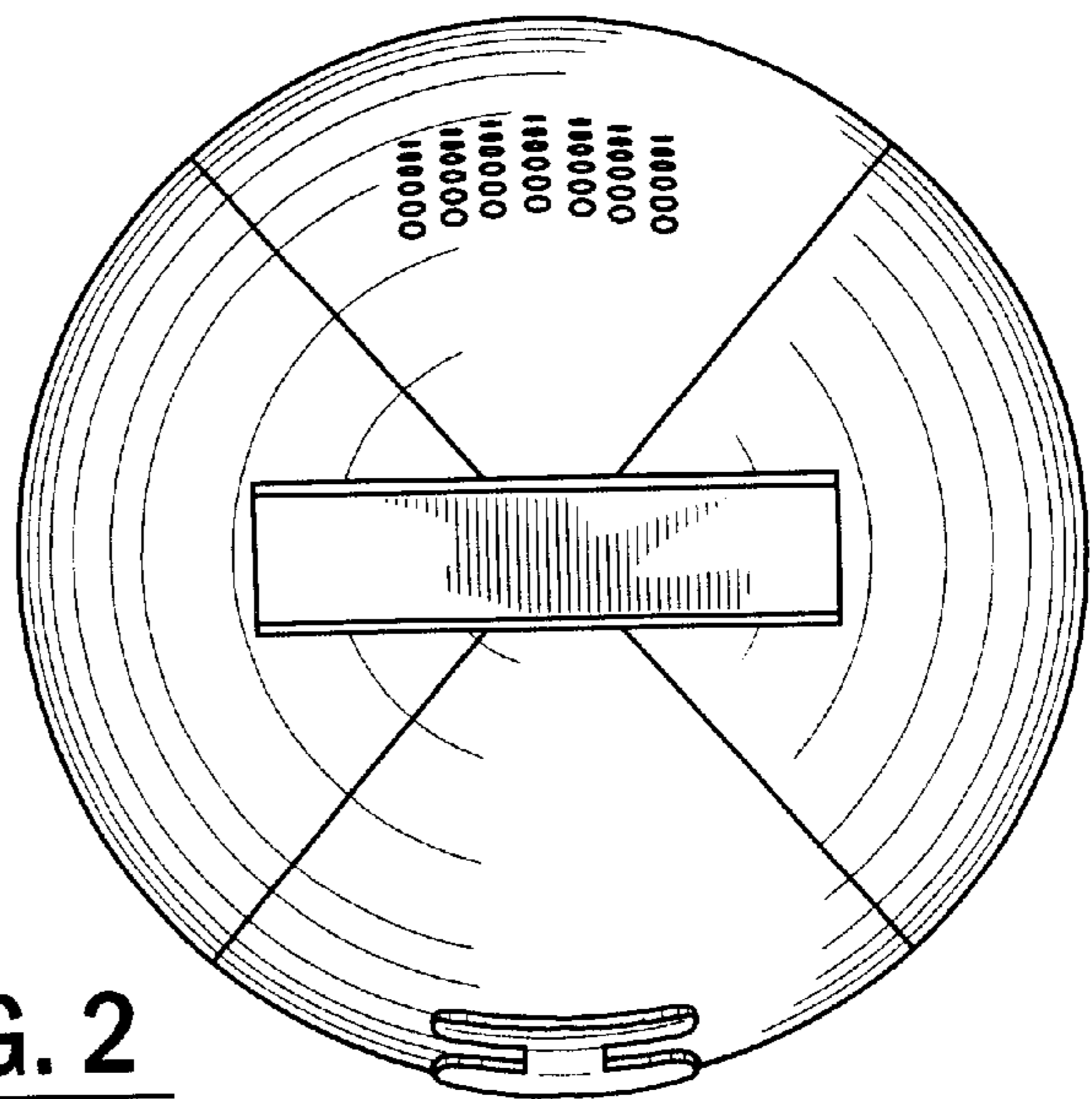
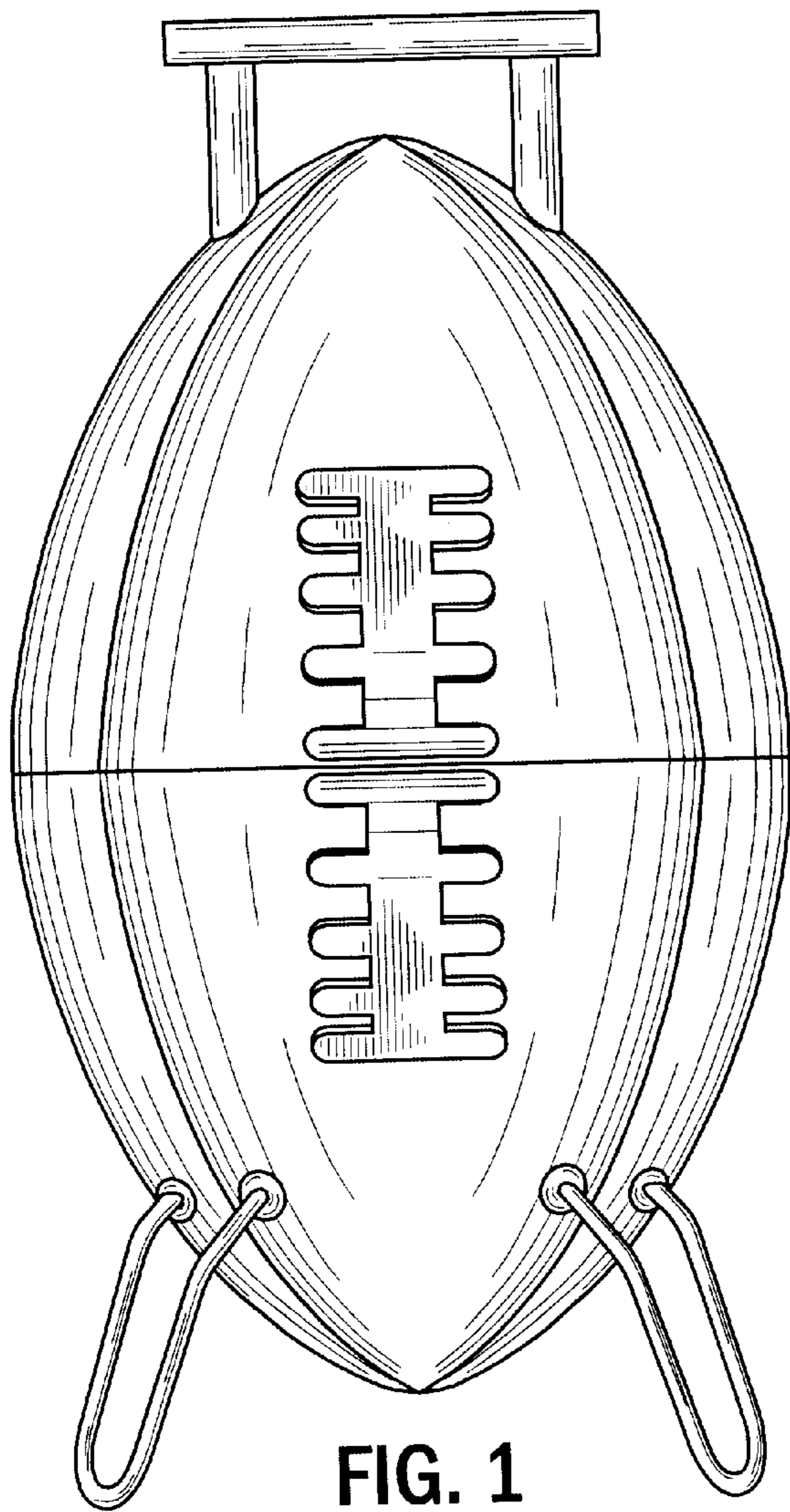
The ornamental design for a football-shaped barbecue grill,
as shown and described.

DESCRIPTION

FIG. 1 is a front view of a football-shaped barbecue grill
showing my new design;
FIG. 2 is a top plan view thereof;
FIG. 3 is a rear view thereof;
FIG. 4 is a bottom plan view thereof; and,
FIG. 5 is a side view thereof, the opposite side being a mirror
image.

1 Claim, 3 Drawing Sheets





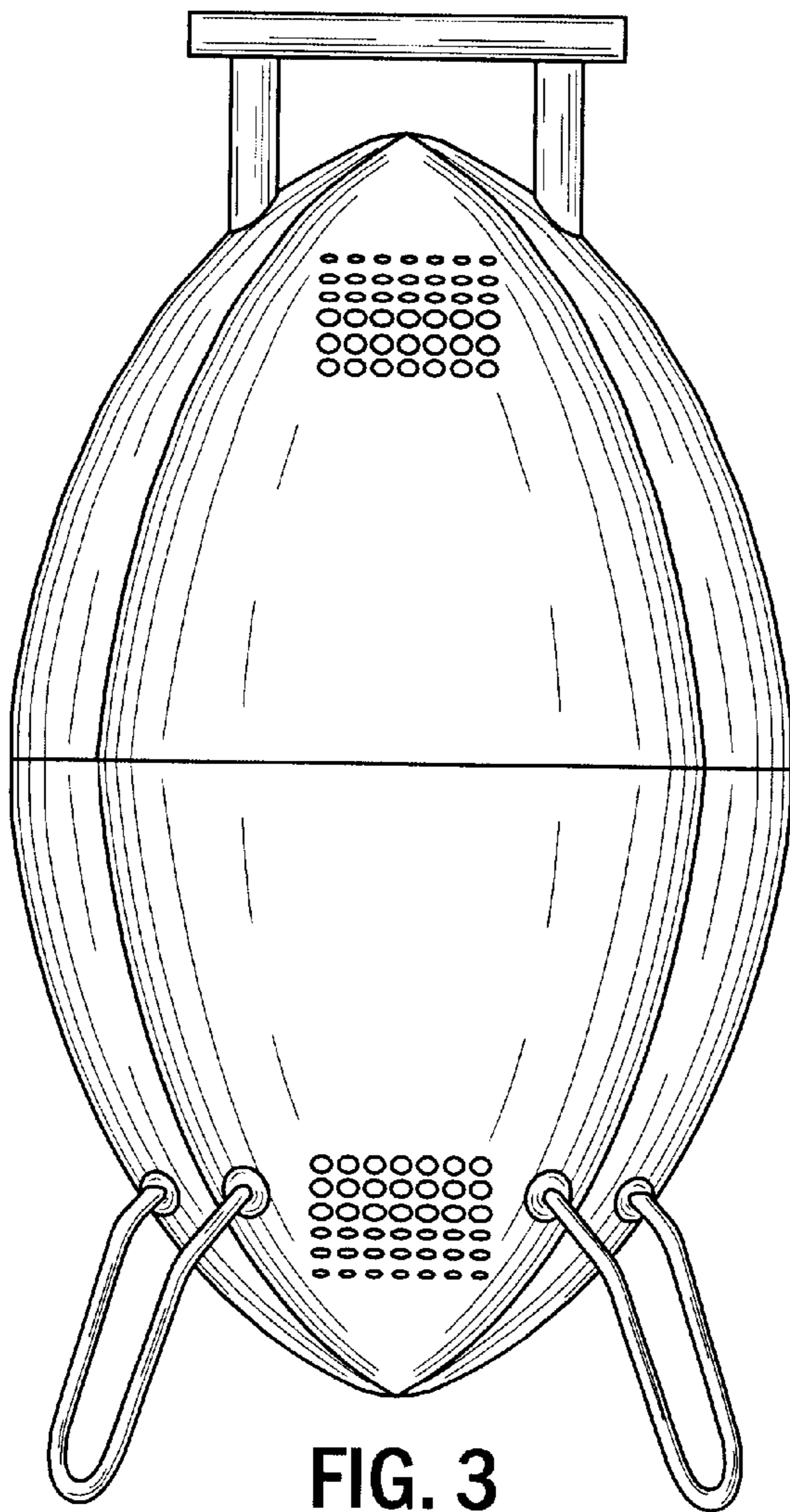


FIG. 3

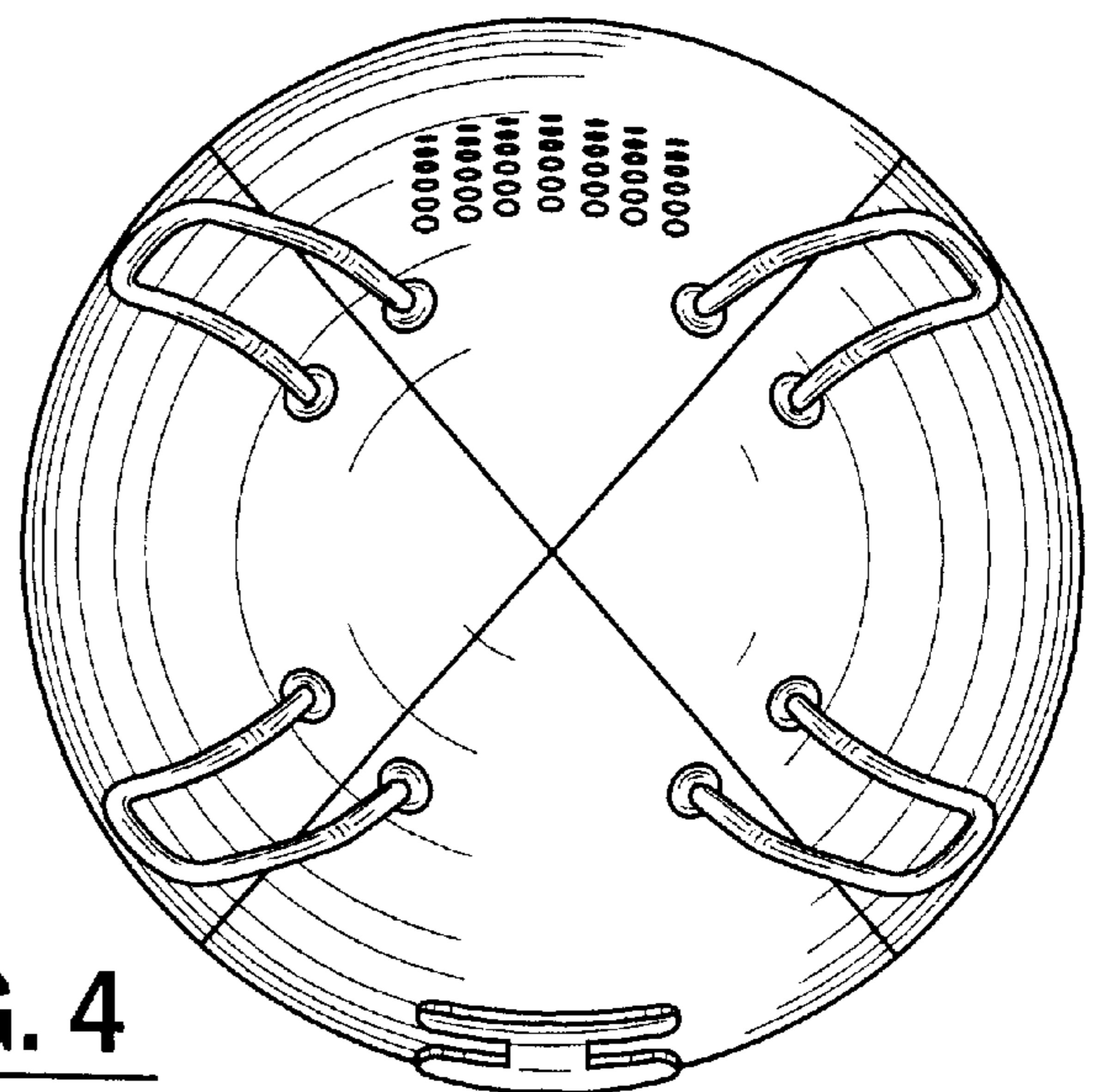


FIG. 4

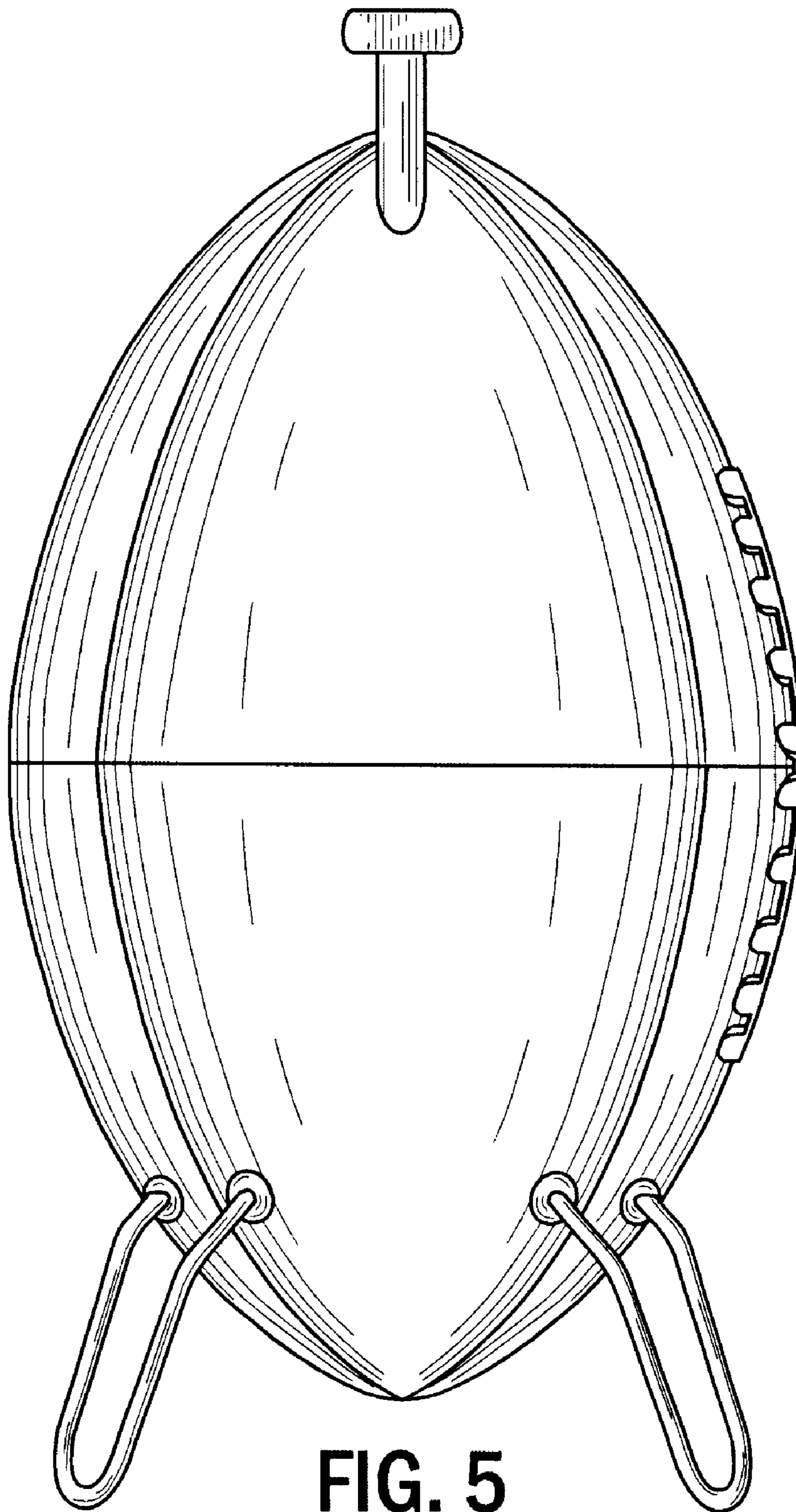


FIG. 5