



US00D482226S

(12) **United States Design Patent**  
**Bisiker et al.**

(10) **Patent No.: US D482,226 S**

(45) **Date of Patent: \*\* Nov. 18, 2003**

(54) **DISK HOLDER**

(75) Inventors: **Malcolm James Bisiker**, Beaulieu (GB); **David James McNamara**, Dallas, TX (US)

(73) Assignee: **Tiggon Corporation**, Dallas, TX (US)

(\*\*) Term: **14 Years**

(21) Appl. No.: **29/169,494**

(22) Filed: **Oct. 21, 2002**

(51) **LOC (7) Cl. .... 06-04**

(52) **U.S. Cl. .... D6/629**

(58) **Field of Search** ..... D6/407, 627-630, D6/499, 466-468; 206/308.1, 309; 211/40, 42, 43, 41.12; 312/9.1, 9.9, 9.11, 9.16, 9.46, 9.47, 9.51, 9.53, 9.59, 9.64

(56) **References Cited**

**U.S. PATENT DOCUMENTS**

D413,930 S	*	9/1999	Ancona et al. ....	D19/90
D465,527 S	*	11/2002	Weitzman et al. ....	D19/90
D470,001 S	*	2/2003	Munroe, II ....	D6/629

\* cited by examiner

*Primary Examiner*—Cathron C. Brooks

(74) *Attorney, Agent, or Firm*—Carstens, Yee & Cahoon, L.L.P.; Scott L. Harper

(57) **CLAIM**

The ornamental design for a disk holder, as shown and described.

**DESCRIPTION**

FIG. 1 is a perspective view of the disk holder of the present invention;

FIG. 2 is a top plan view of the disk holder of the present invention;

FIG. 3 is a front view of the disk holder of the present invention;

FIG. 4 is a bottom view of the disk holder of the present invention;

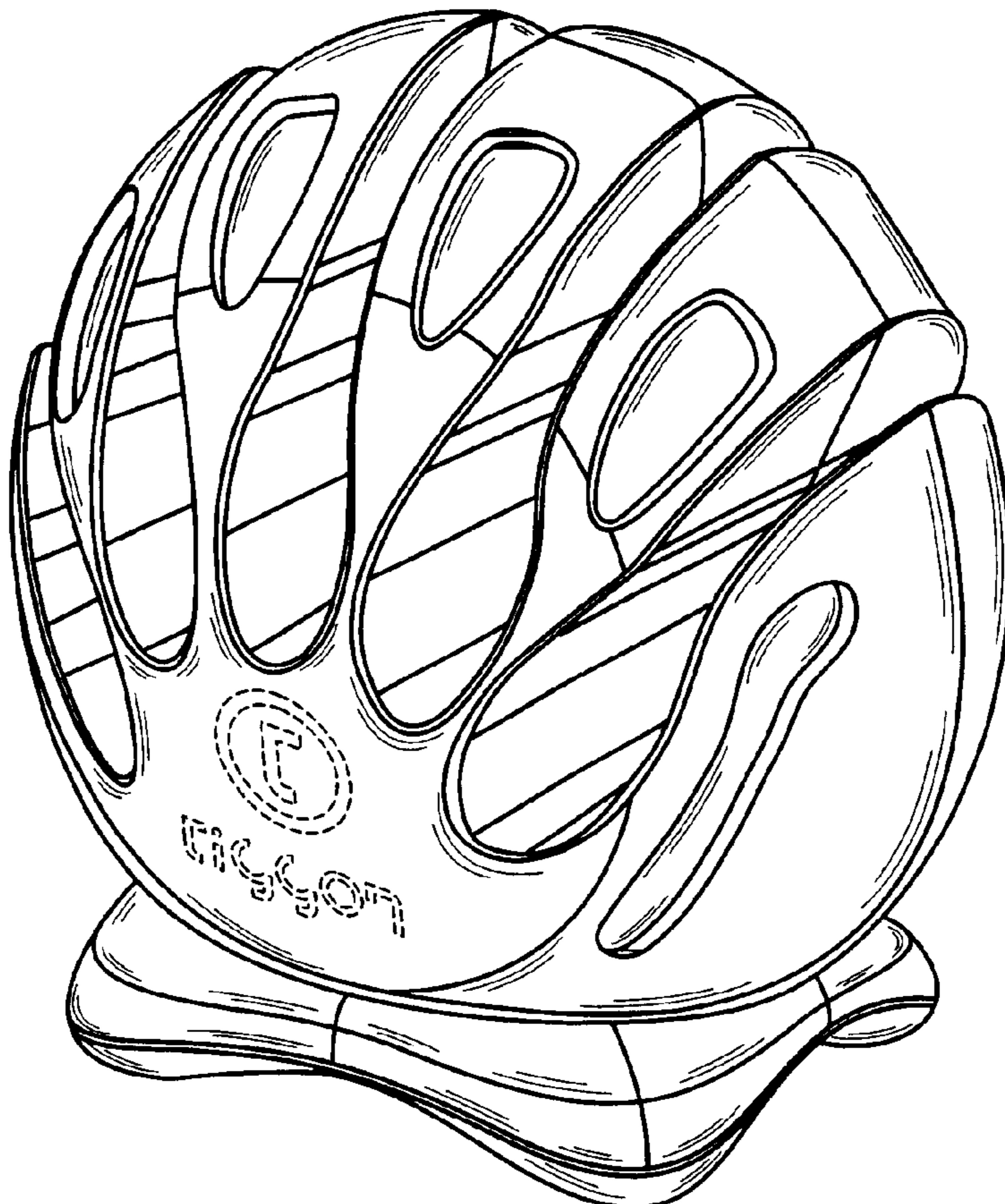
FIG. 5 is a back view of the disk holder of the present invention;

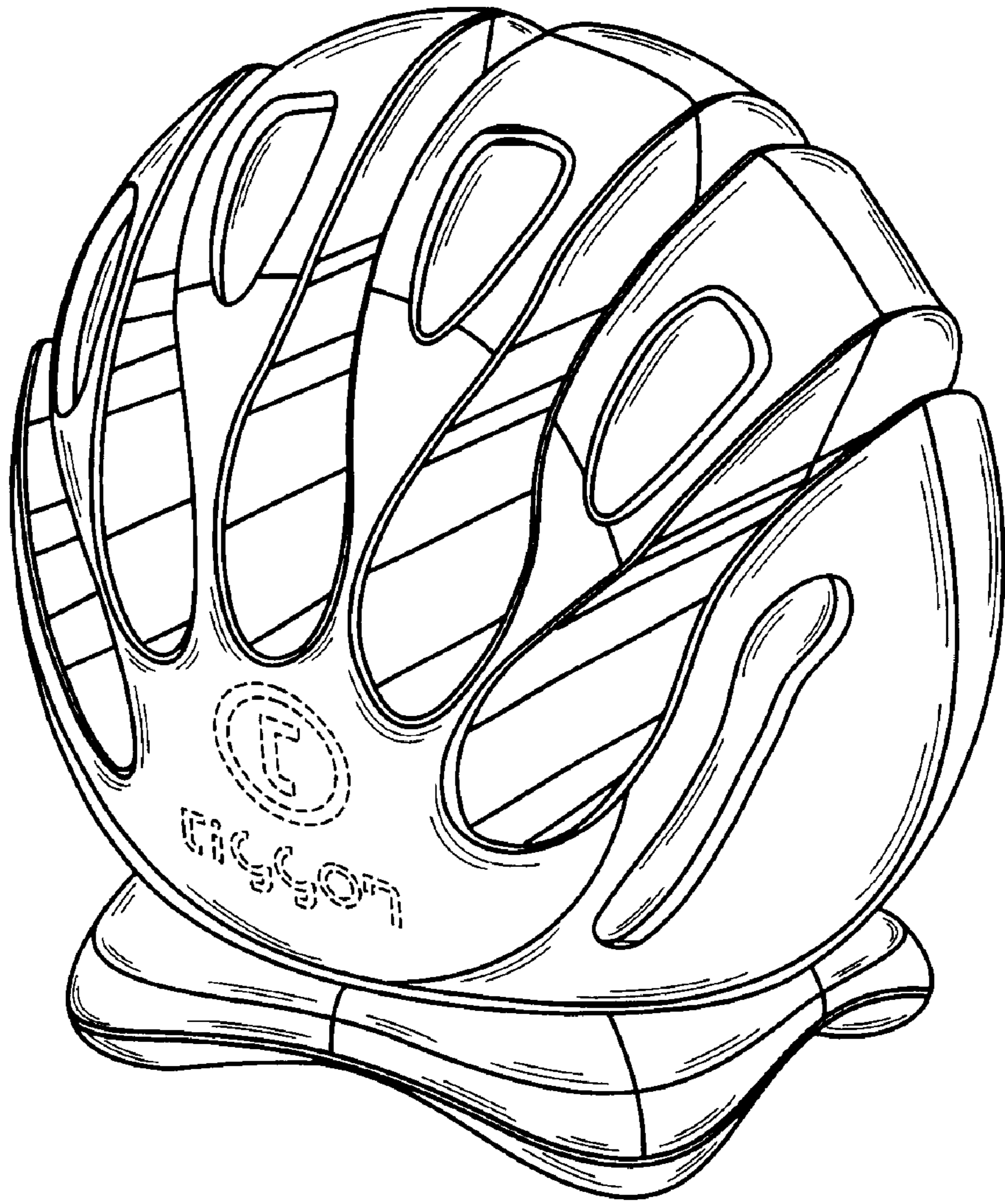
FIG. 6 is a right side view of the disk holder of the present invention; and,

FIG. 7 is a left side view of the disk holder of the present invention.

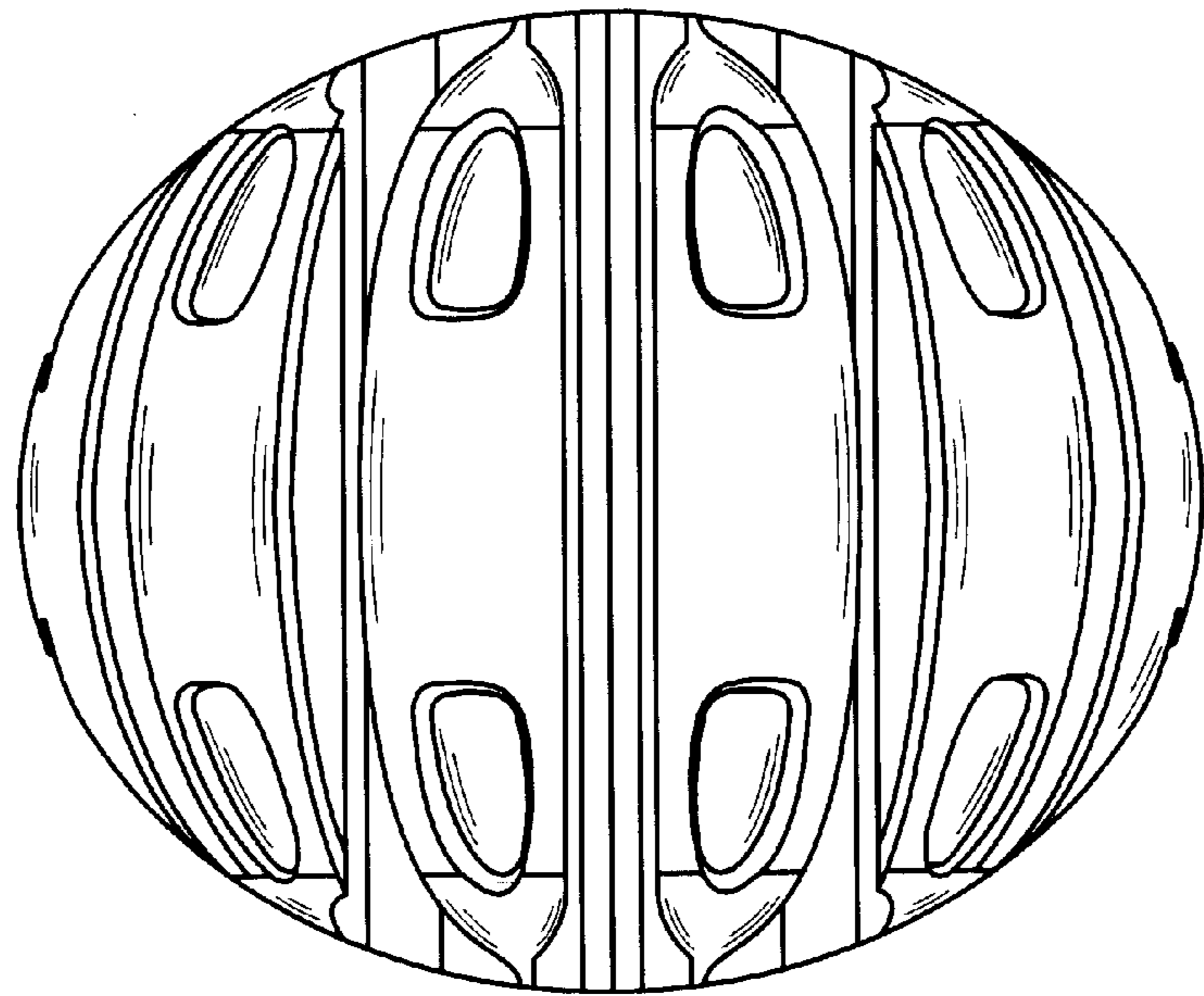
The broken line illustration of the tiggon mark and logo are shown in broken lines for illustrative purposes only and form no part of the claimed design.

**1 Claim, 4 Drawing Sheets**





**FIG. 1**



**FIG. 2**



**FIG. 3**

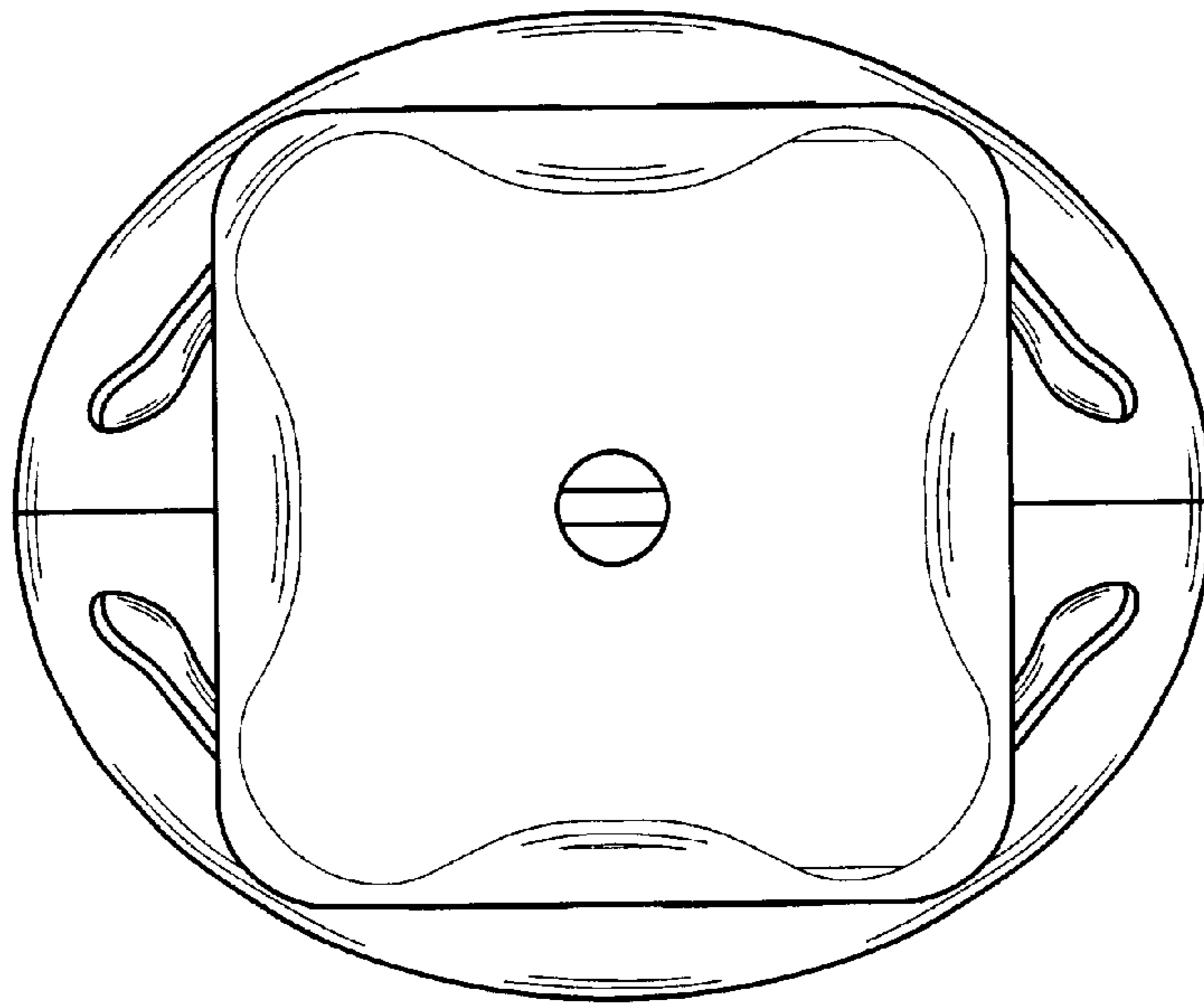


FIG. 4



FIG. 5

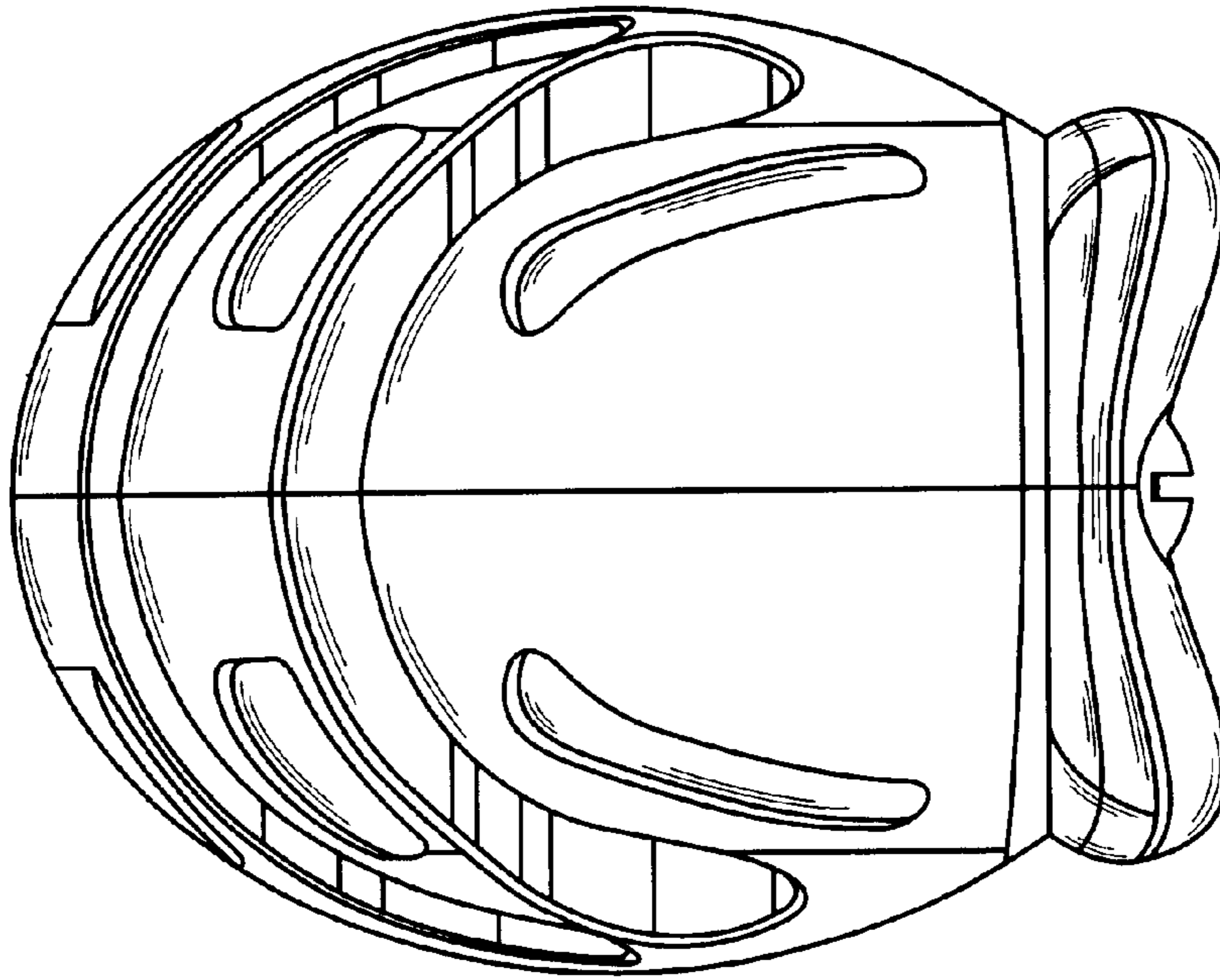


FIG. 7

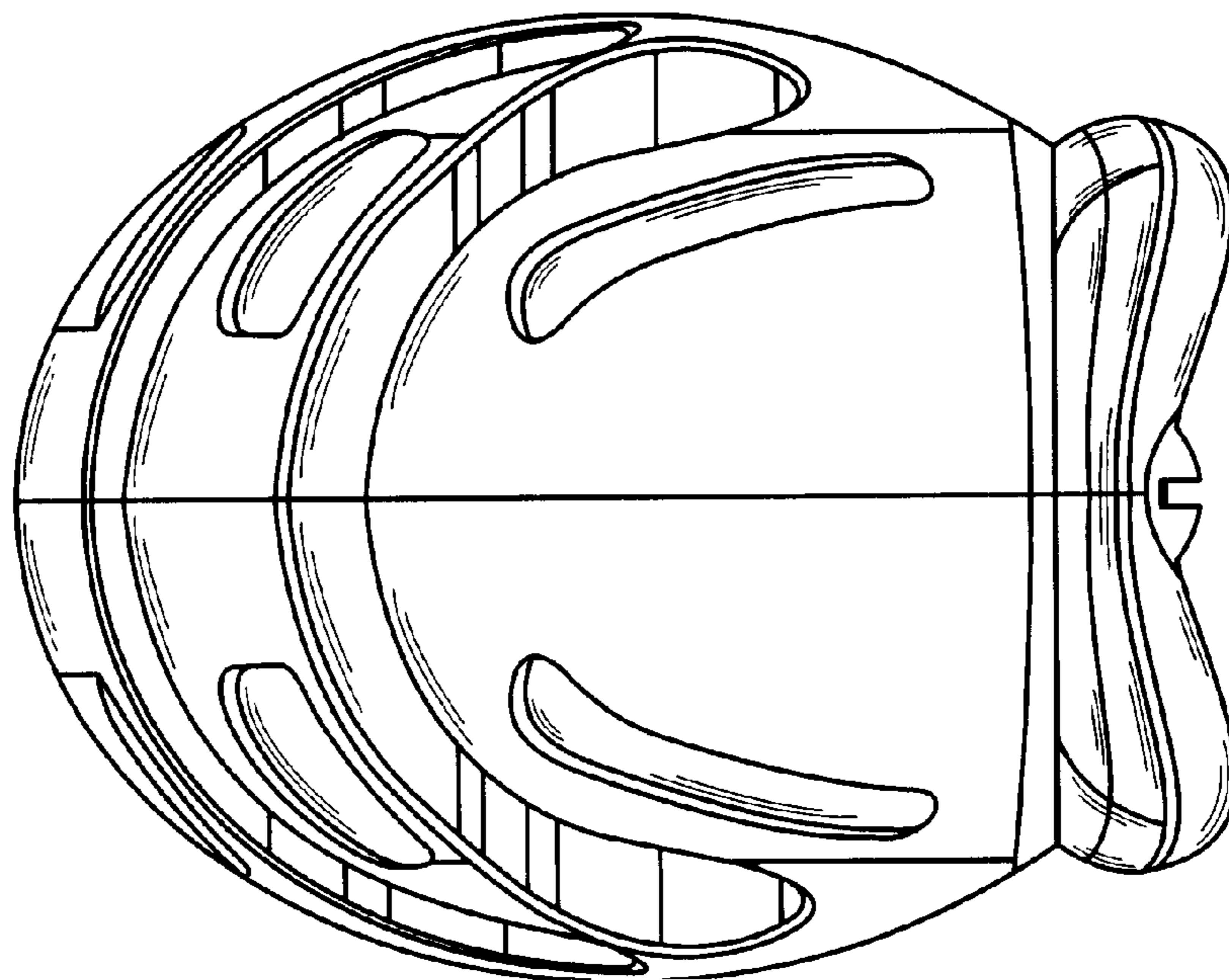


FIG. 6