



US00D482223S

(12) **United States Design Patent**  
**Bibby et al.**

(10) **Patent No.:** **US D482,223 S**

(45) **Date of Patent:** **\*\* Nov. 18, 2003**

(54) **HEAD RAIL MOUNTING CLIP**

6,382,296 B1 \* 5/2002 Judkins ..... 160/178.1 R  
D473,127 S \* 4/2003 Yoko ..... D8/395

(75) Inventors: **Keith M. G. Bibby**, Mansfield, MA  
(US); **Leslie M. Kenney**, Wakefield, RI  
(US); **Pauly I. Wessick**, North  
Kingston, RI (US)

\* cited by examiner

*Primary Examiner*—Robin V. Taylor  
(74) *Attorney, Agent, or Firm*—Robert J. Doherty

(73) Assignee: **Kenney Manufacturing Co.**, Warwick,  
RI (US)

(57) **CLAIM**

(\*\*) Term: **14 Years**

The ornamental design for a head rail mounting clip, as shown and described.

(21) Appl. No.: **29/164,603**

**DESCRIPTION**

(22) Filed: **Jul. 29, 2002**

FIG. 1 is a top perspective view of a head rail mounting clip oriented with respect to a portion of a head rail and blind set showing our new design;

(51) **LOC (7) Cl.** ..... **06-10**

(52) **U.S. Cl.** ..... **D6/580**

(58) **Field of Search** ..... D6/577, 580, 581;  
160/178.1 R, 177 R, 38; 248/251, 261,  
265; D8/382, 394, 395

FIG. 2 is an enlarged view of the clip shown in FIG. 2;

FIG. 3 is a front elevational view of FIG. 2;

FIG. 4 is a rear elevational view of FIG. 2;

FIG. 5 is a right side elevational view of FIG. 2;

FIG. 6 is a left side elevational view of FIG. 2;

FIG. 7 is a top plan view of FIG. 2; and,

FIG. 8 is a bottom plan view of FIG. 2.

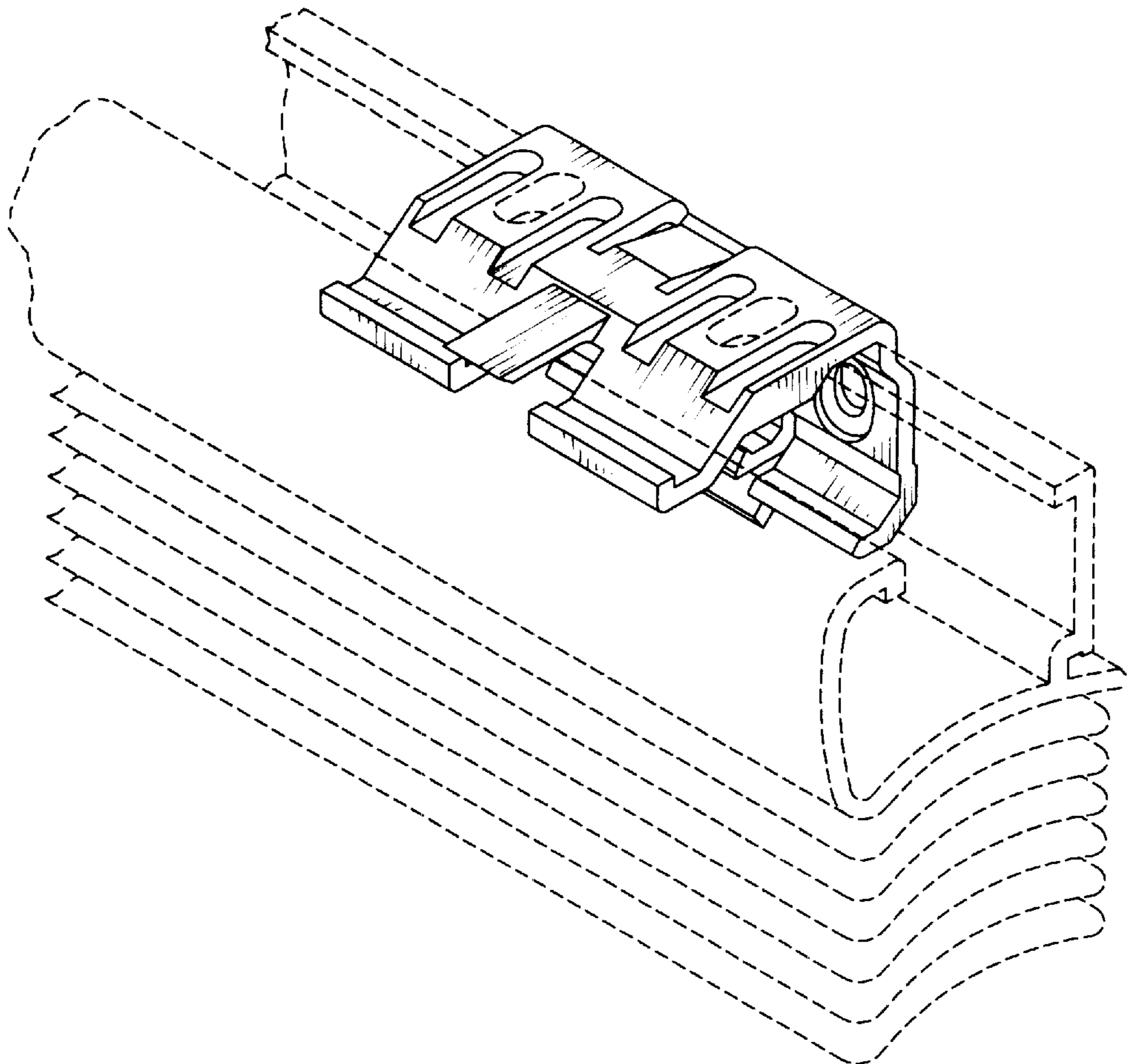
(56) **References Cited**

**U.S. PATENT DOCUMENTS**

4,580,753 A \* 4/1986 Hennequin ..... 248/264  
5,353,857 A \* 10/1994 Anderson ..... 160/178.1 R

The dotted line representation on FIGS. 1, 2, 7 and 8 are for information only, and form no part of the subject design.

**1 Claim, 5 Drawing Sheets**



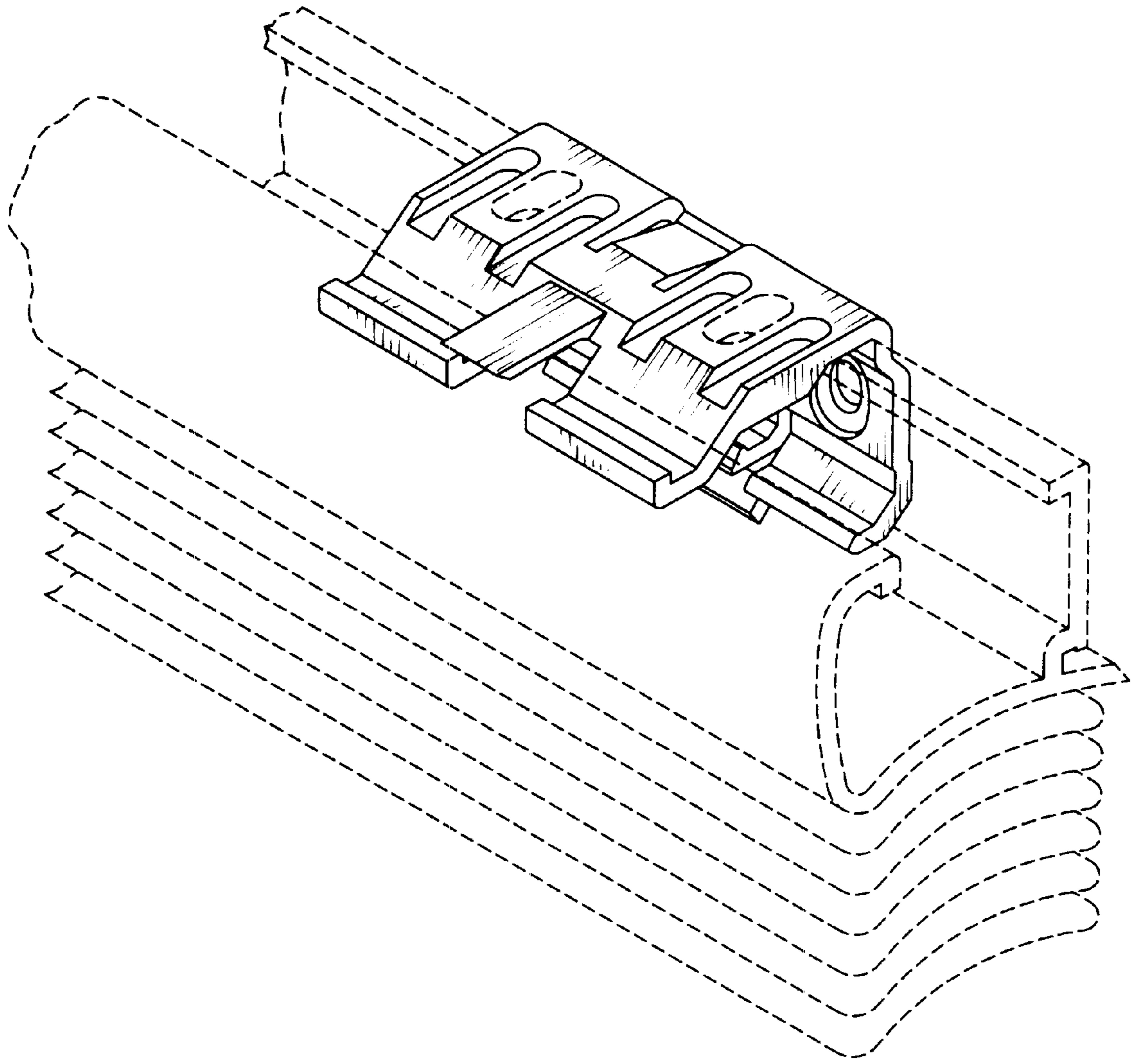


FIG. 1

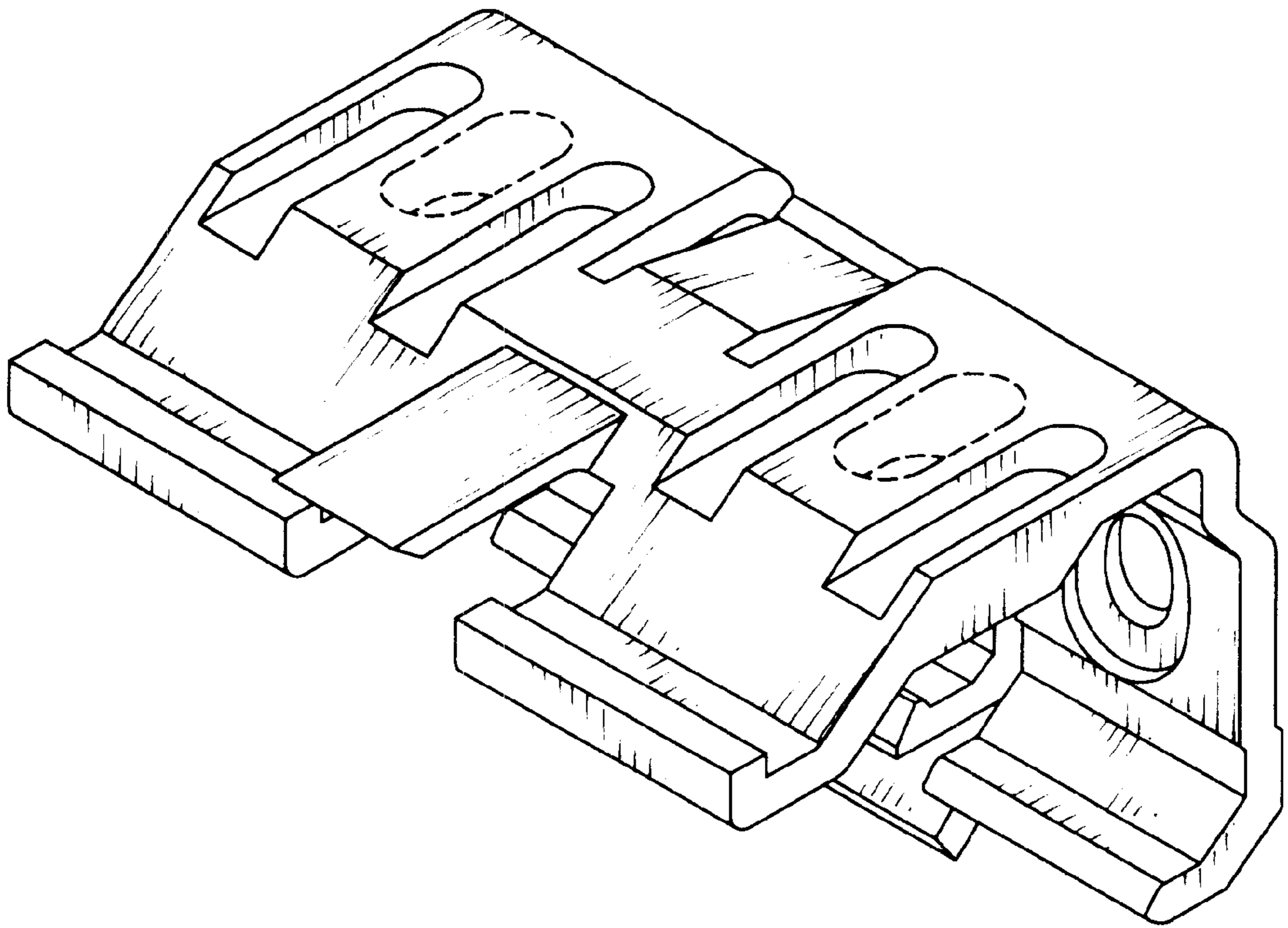


FIG. 2

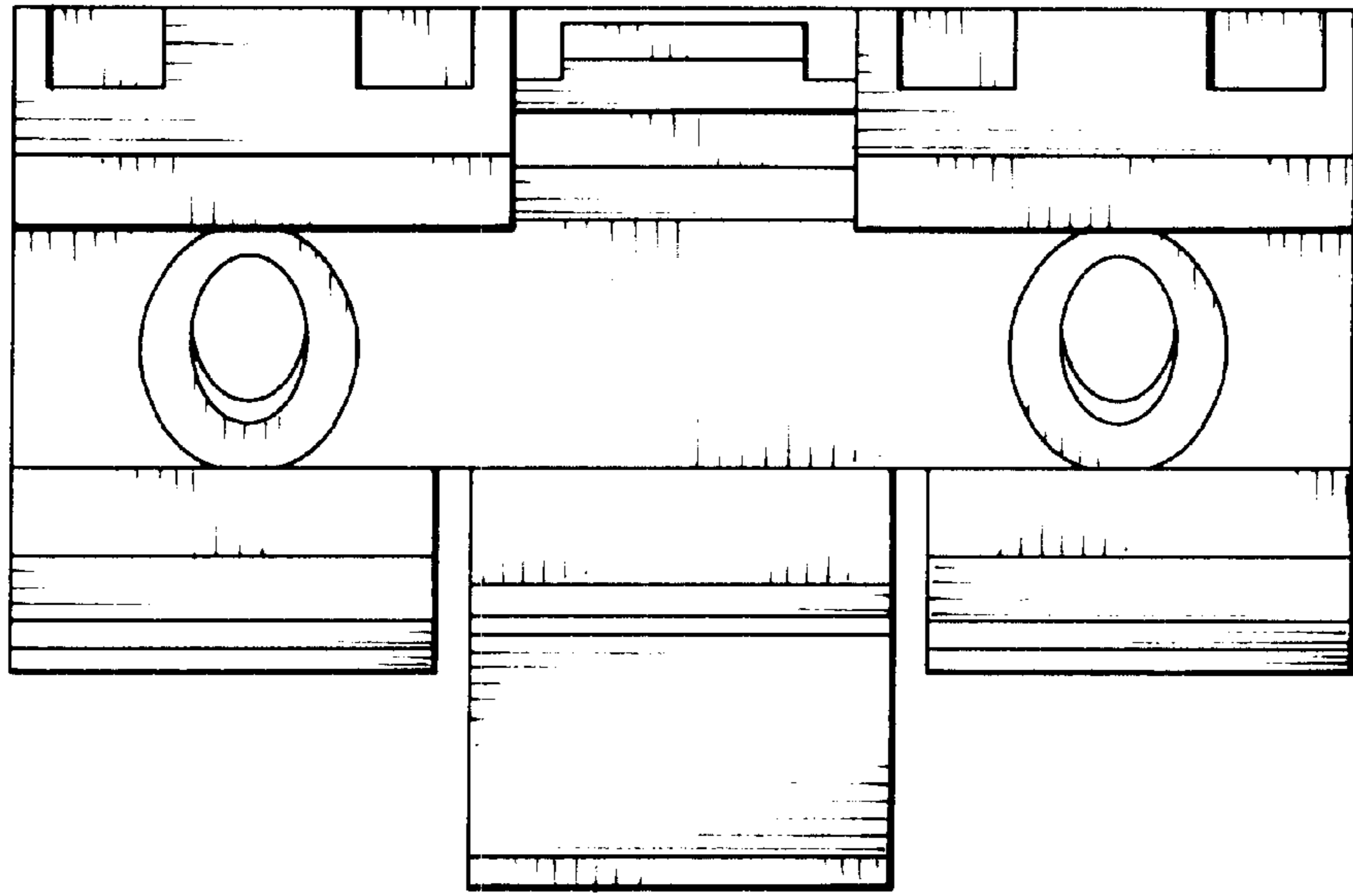


FIG. 3

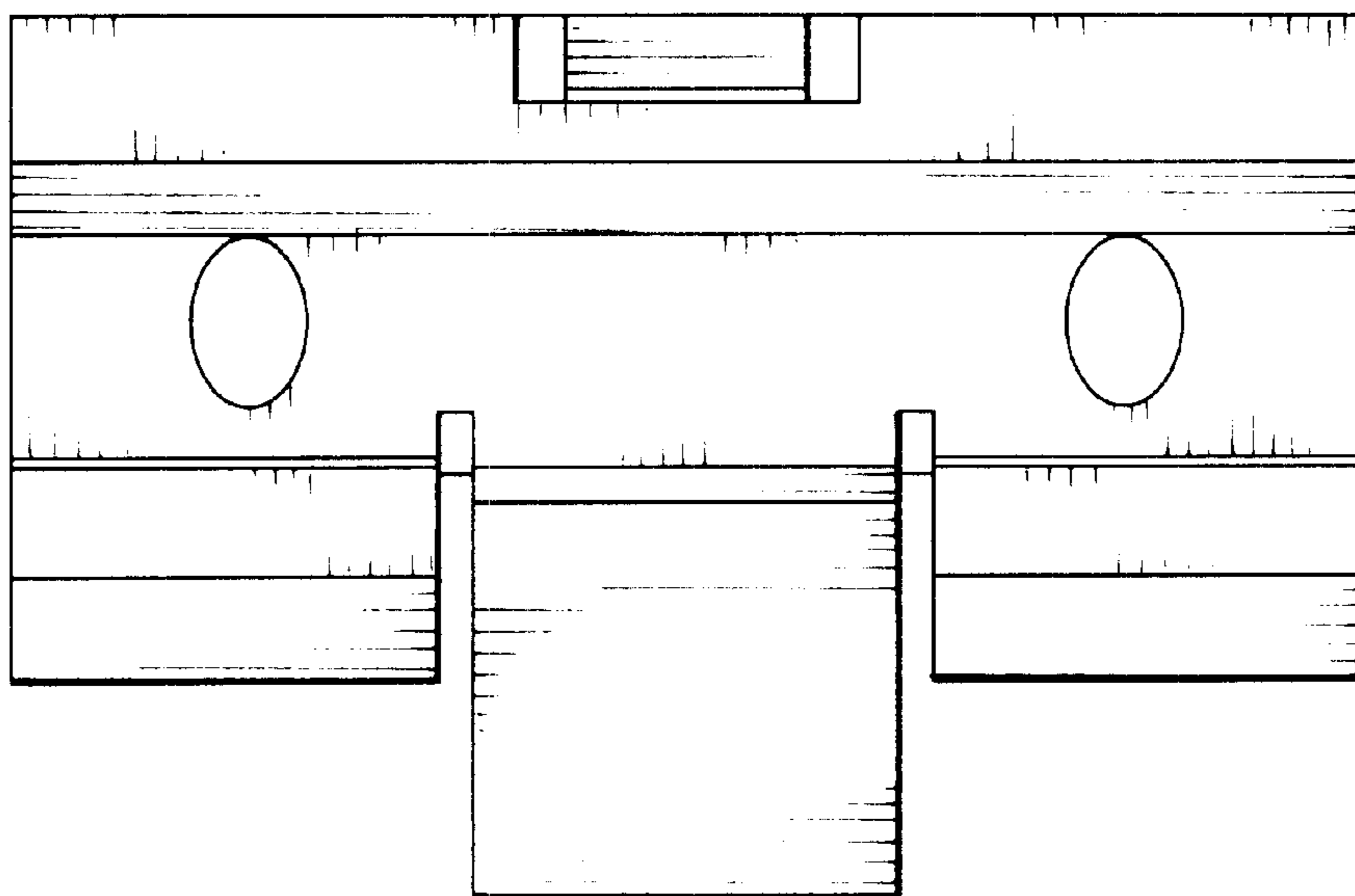


FIG. 4

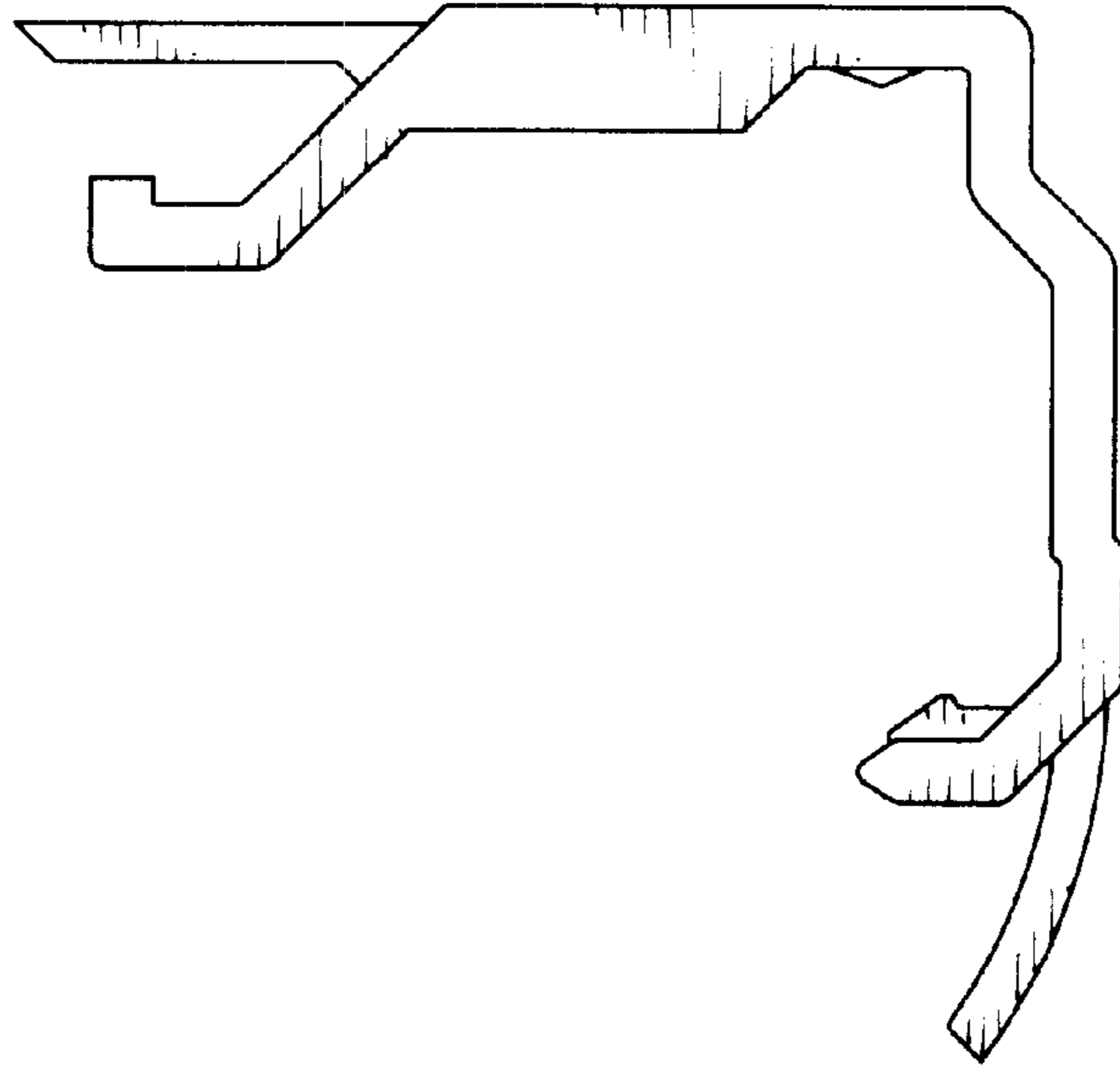


FIG. 5

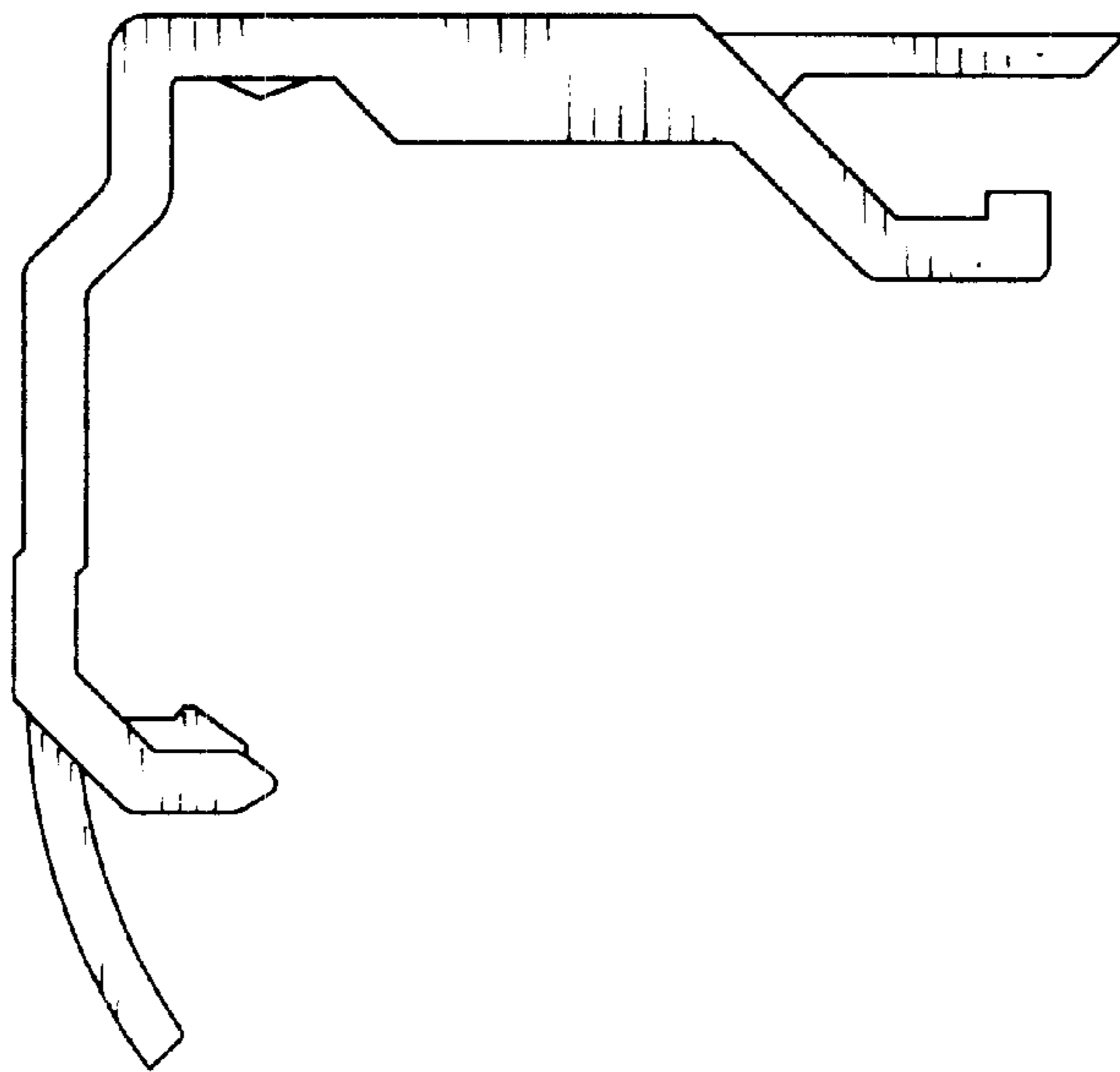


FIG. 6



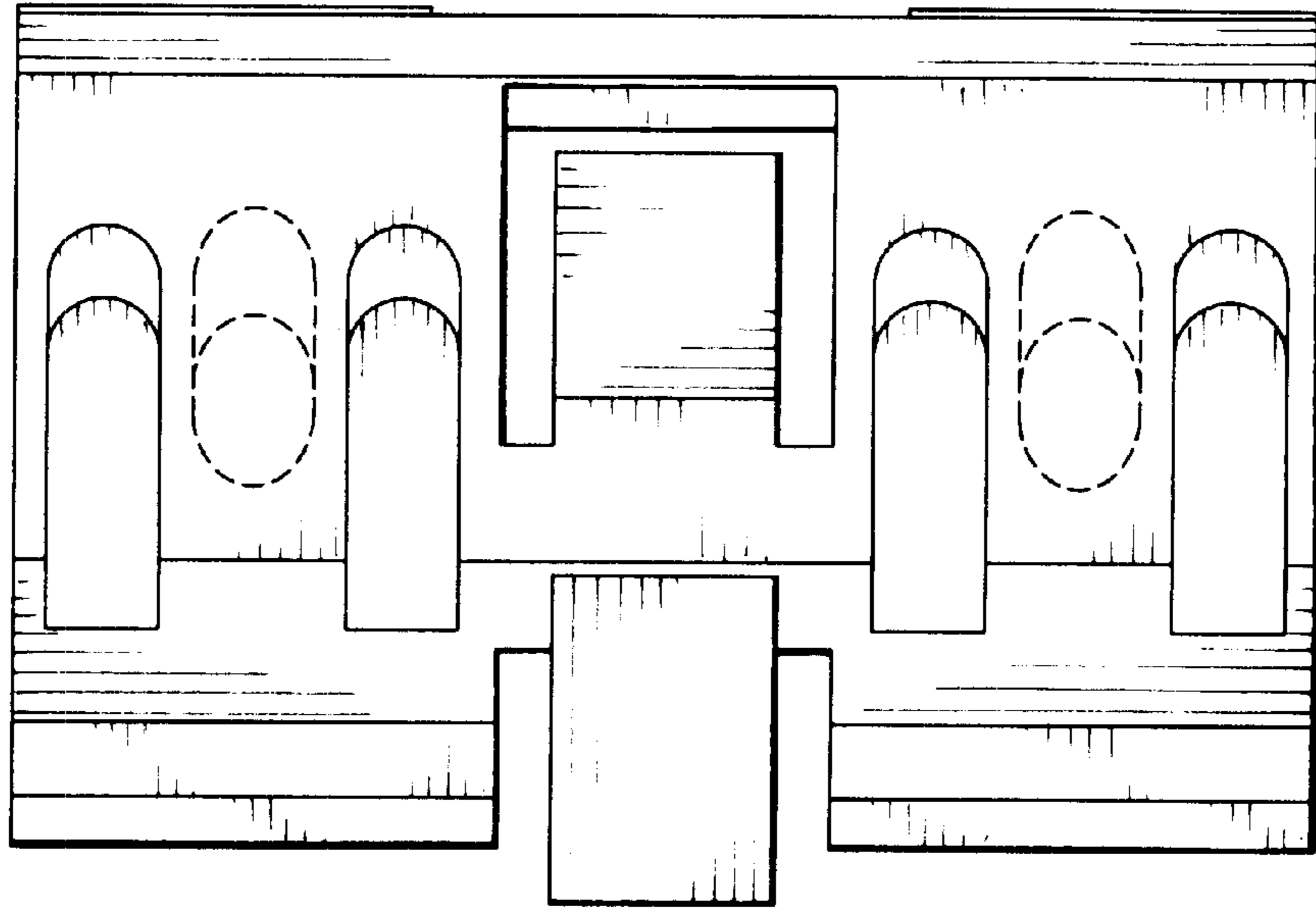


FIG. 7

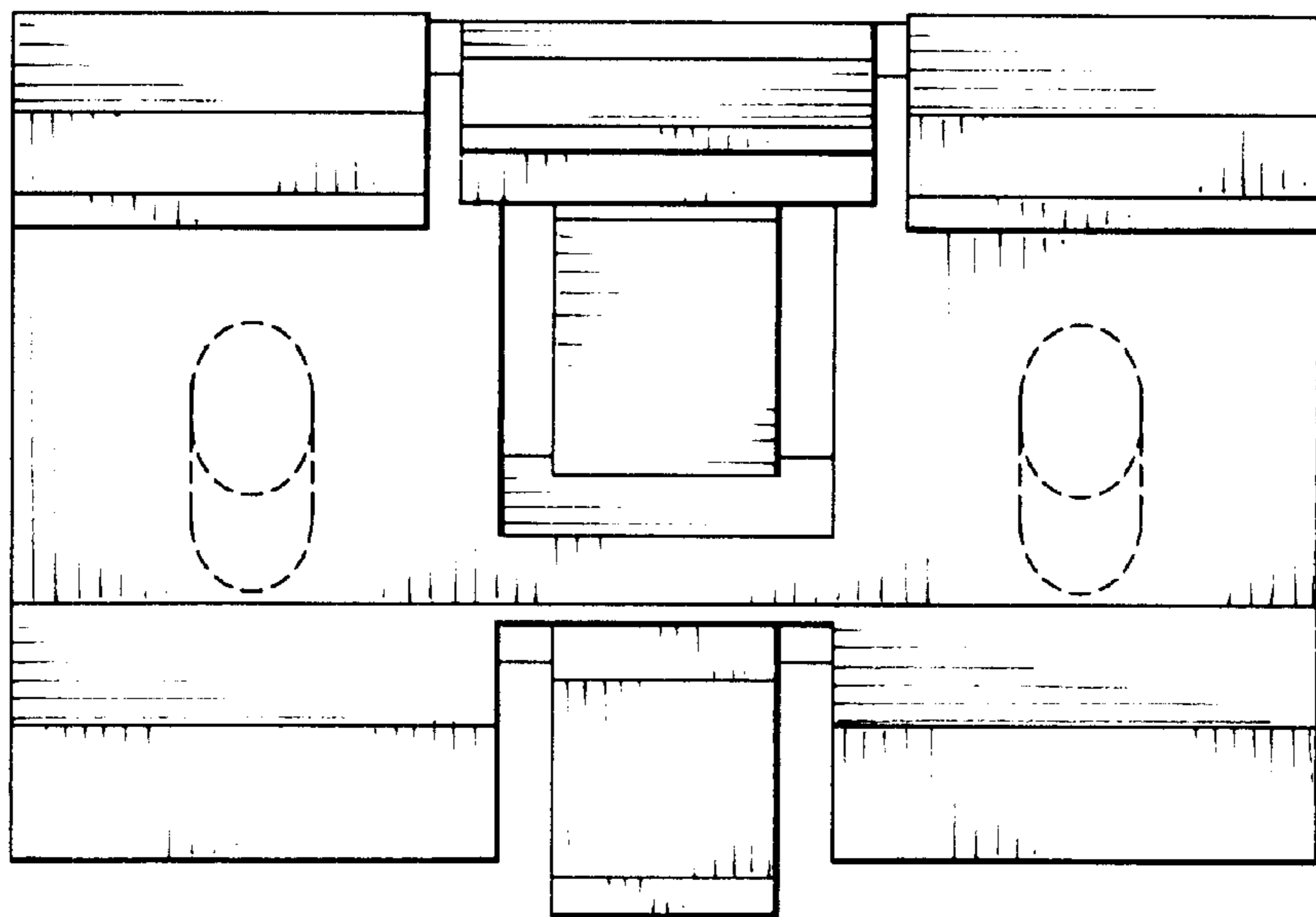


FIG. 8

UNITED STATES PATENT AND TRADEMARK OFFICE  
**CERTIFICATE OF CORRECTION**

PATENT NO. : Des. 482,223 S  
DATED : November 18, 2003  
INVENTOR(S) : Bibby et al.

Page 1 of 1

It is certified that error appears in the above-identified patent and that said Letters Patent is hereby corrected as shown below:

Title page,

Item [75], Inventors, should read -- **Polly L. Wessick** --

Signed and Sealed this

Eleventh Day of May, 2004

A handwritten signature in black ink that reads "Jon W. Dudas". The signature is written in a cursive style with a large, looped initial "J".

---

JON W. DUDAS  
*Acting Director of the United States Patent and Trademark Office*