



US00D482221S

(12) **United States Design Patent**
Phelps et al.

(10) **Patent No.:** **US D482,221 S**

(45) **Date of Patent:** **** Nov. 18, 2003**

(54) **SHEET MATERIAL DISPENSER**

(75) Inventors: **Stephen L. Phelps**, Lilburn, GA (US);
Donald R. Scuvotti, San Clemente, CA
(US); **John W. Fowler**, Alpharetta, GA
(US); **Darrell R. Johnson**, Woodstock,
GA (US); **David W. Kapiloff**,
Gainesville, GA (US); **David Nevins**,
Boynton Beach, FL (US); **Andrew**
Clement, Alpharetta, GA (US); **Louis**
Javier Collazo, Marietta, GA (US);
David Scott Rowley, Powder Springs,
GA (US)

(73) Assignee: **Kimberly-Clark Worldwide, Inc.**,
Neenah, WI (US)

(**) Term: **14 Years**

(21) Appl. No.: **29/168,543**

(22) Filed: **Oct. 3, 2002**

(51) **LOC (7) Cl.** **20-02**

(52) **U.S. Cl.** **D6/518**

(58) **Field of Search** D6/515, 517-518,
D6/522-523; 312/42, 50, 34.1, 34.4; 221/33,
45, 48, 55, 282-286

(56) **References Cited**

U.S. PATENT DOCUMENTS

D332,889 S * 2/1993 Hines D6/518
D346,518 S * 5/1994 Brandenburg D6/518
D348,579 S 7/1994 Brandenburg
D387,229 S * 12/1997 Cameron et al. D6/518

D393,768 S * 4/1998 Mervar et al. D6/518
D398,797 S 9/1998 Brandenburg et al.
D408,184 S * 4/1999 Tramontina D6/518
D410,357 S * 6/1999 Tramontina D6/518
6,296,331 B1 * 10/2001 Tramontina 312/34.1
D450,963 S 11/2001 Phelps et al.
D451,323 S 12/2001 Phelps et al.
D454,741 S 3/2002 Lewis et al.
D465,953 S 11/2002 Lewis et al.
2002/0074353 A1 6/2002 Lewis et al.
2002/0074356 A1 6/2002 Lewis et al.

* cited by examiner

Primary Examiner—Brian N. Vinson

(74) *Attorney, Agent, or Firm*—Douglas H. Tulley

(57) **CLAIM**

We claim the ornamental design for the sheet material dispenser, as shown and described.

DESCRIPTION

FIG. 1 is a partially elevated, angled view of the sheet material dispenser.

FIG. 2 is a front view of the sheet material dispenser shown in FIG. 1.

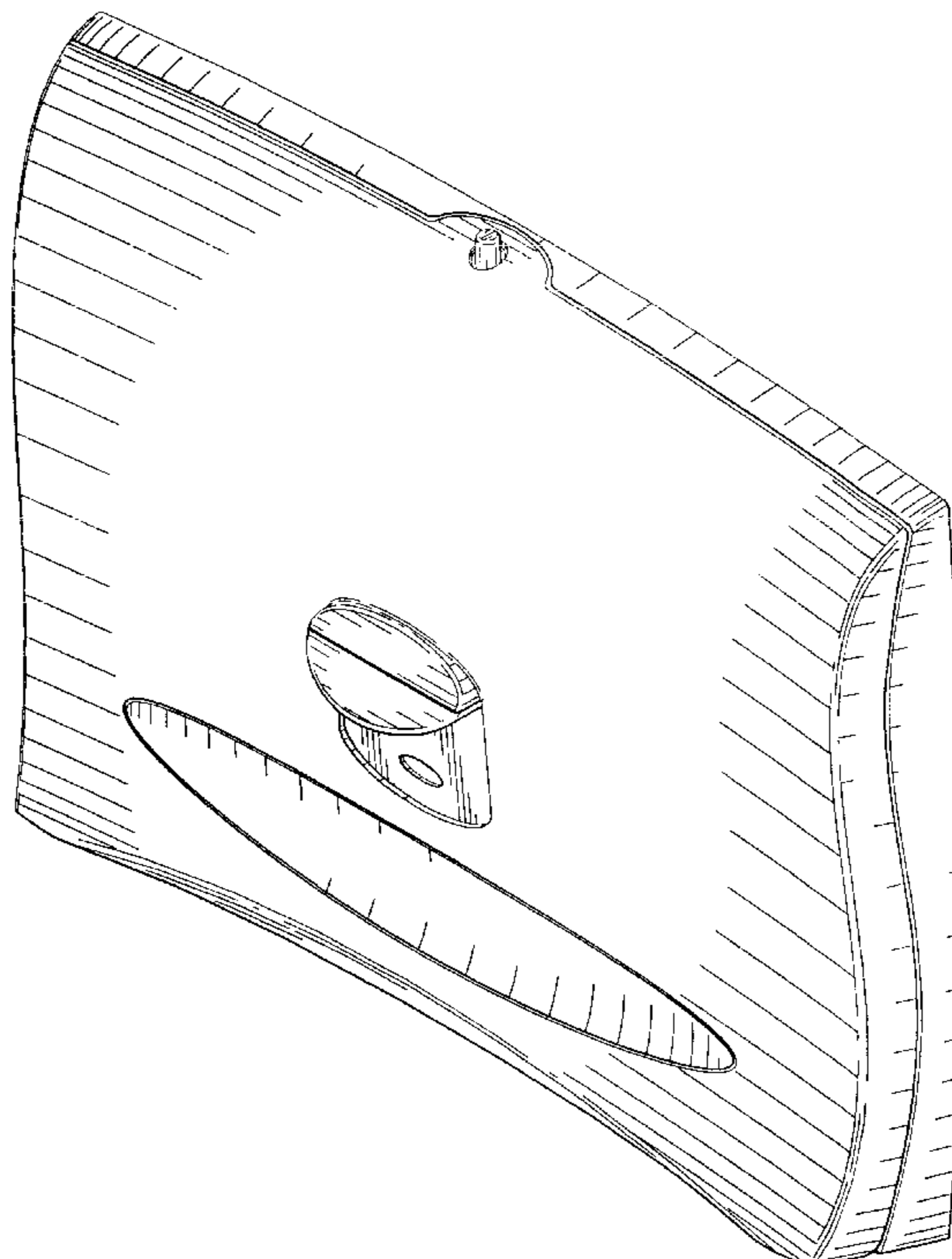
FIG. 3 is a side view of the sheet material dispenser shown in FIG. 1.

FIG. 4 is a top view of the sheet material dispenser shown in FIG. 1.

FIG. 5 is a bottom view of the sheet material dispenser shown in FIG. 1; and,

FIG. 6 is a back view of the sheet material dispenser shown in FIG. 1.

1 Claim, 4 Drawing Sheets



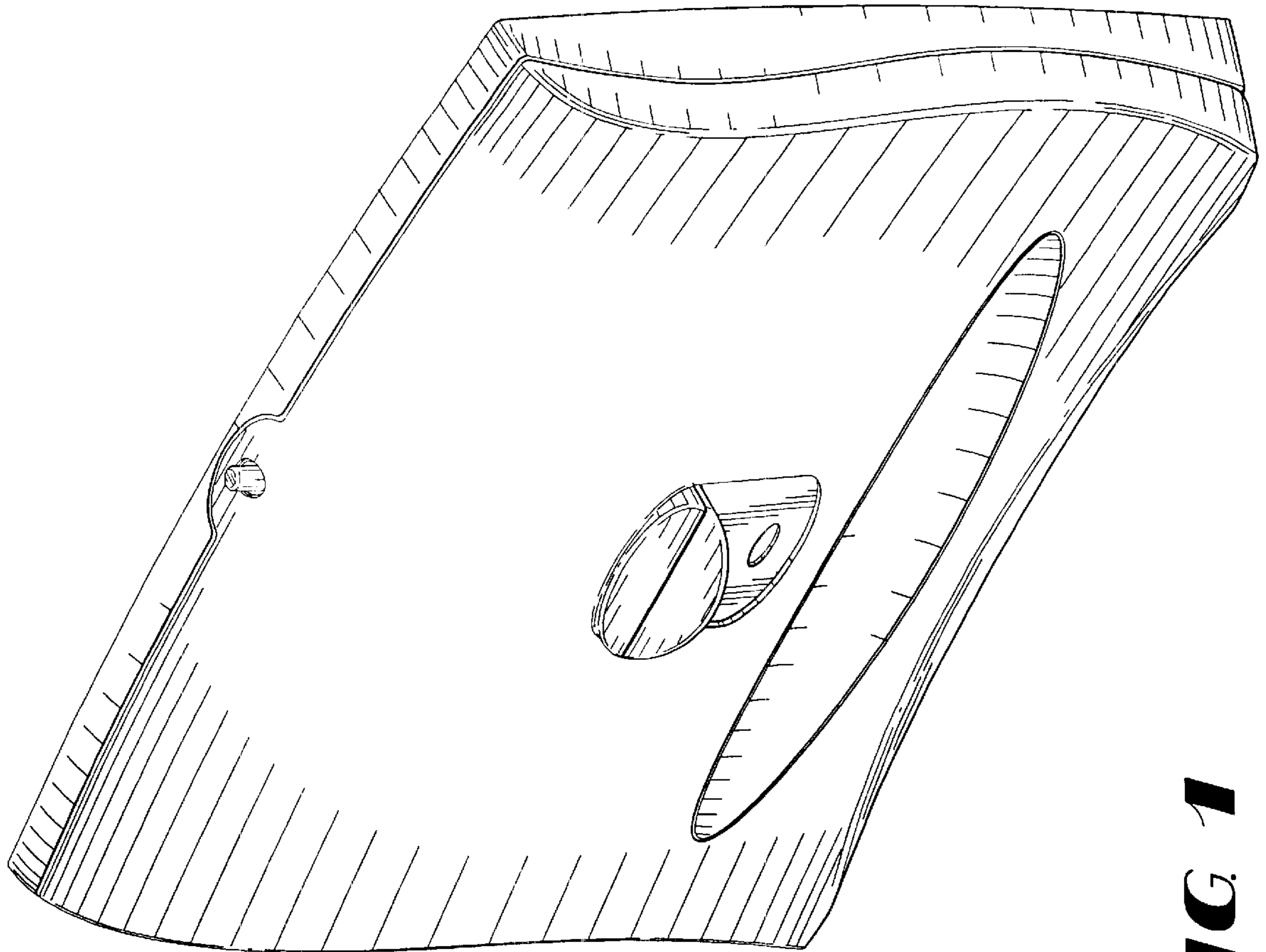


FIG. 1

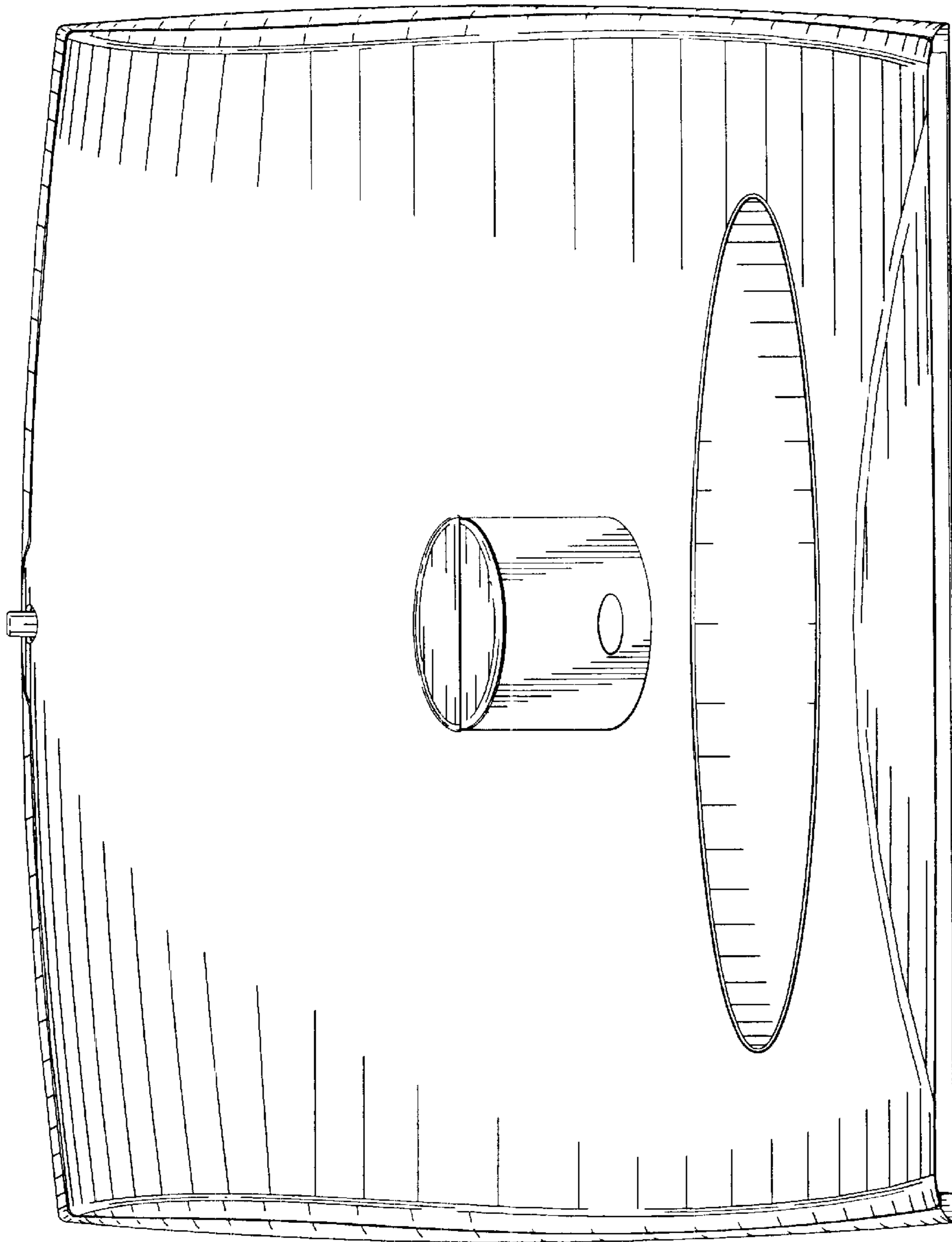


FIG. 2

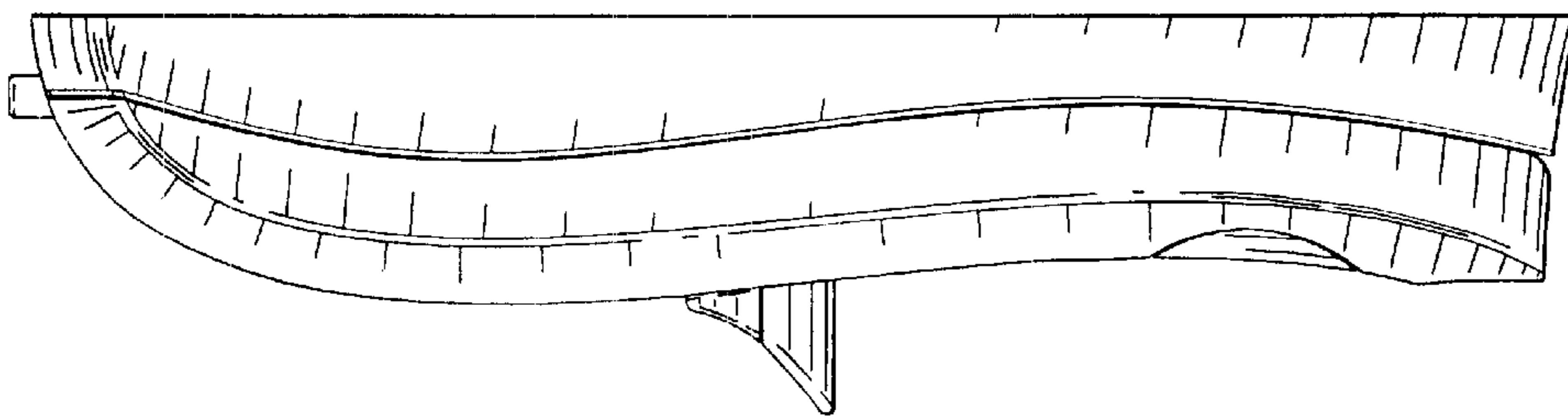


FIG. 3

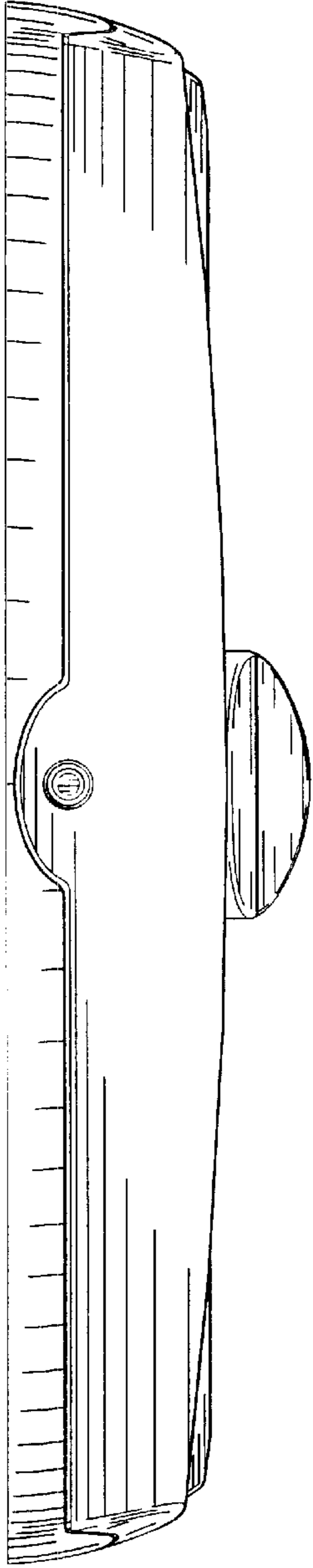


FIG. 4

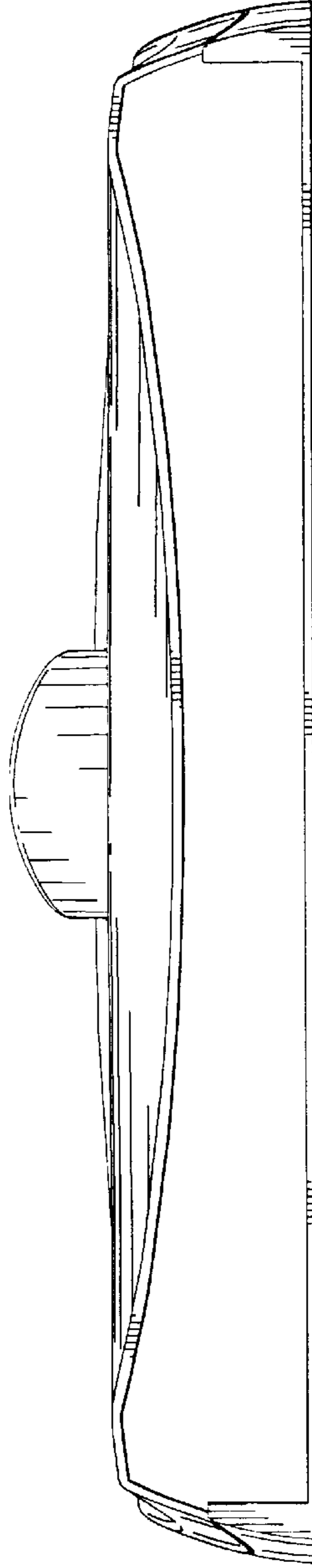


FIG. 5

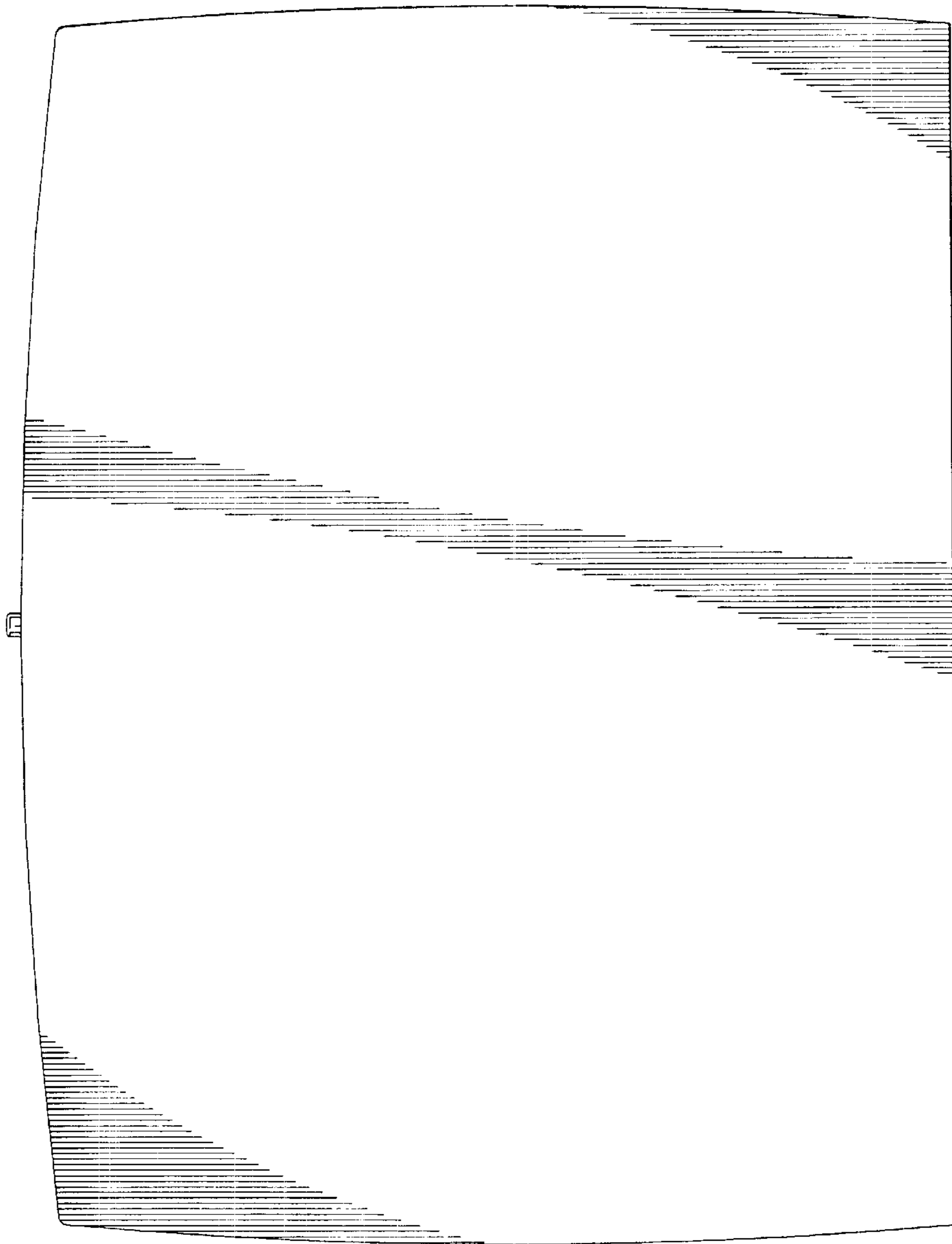


FIG. 6