



US00D482217S

(12) **United States Design Patent**  
**Lin**

(10) **Patent No.:** **US D482,217 S**

(45) **Date of Patent:** **\*\* Nov. 18, 2003**

(54) **CHAIR BASE**

D475,557 S \* 6/2003 Su ..... D6/498

(76) **Inventor:** **Kuo-Hsiung Lin**, No. 12, Industry East Road, Nan Tou City, Nan Tou Hsien (TW)

**FOREIGN PATENT DOCUMENTS**

WO DM/061805 \* 10/2002

(\*\*) **Term:** **14 Years**

\* cited by examiner

(21) **Appl. No.:** **29/172,502**

*Primary Examiner*—Gary D. Watson  
(74) *Attorney, Agent, or Firm*—Alan D. Kamrath; Rider Bennett, LLP.

(22) **Filed:** **Dec. 12, 2002**

(51) **LOC (7) Cl.** ..... **06-06**

(57) **CLAIM**

(52) **U.S. Cl.** ..... **D6/498; D6/366**

The ornamental design for chair base, as shown and described.

(58) **Field of Search** ..... D6/334, 364, 365, D6/366, 367, 498, 500, 501, 502; 248/188, 188.1, 188.7, 188.8, 188.9; 297/344.18, 463.1

**DESCRIPTION**

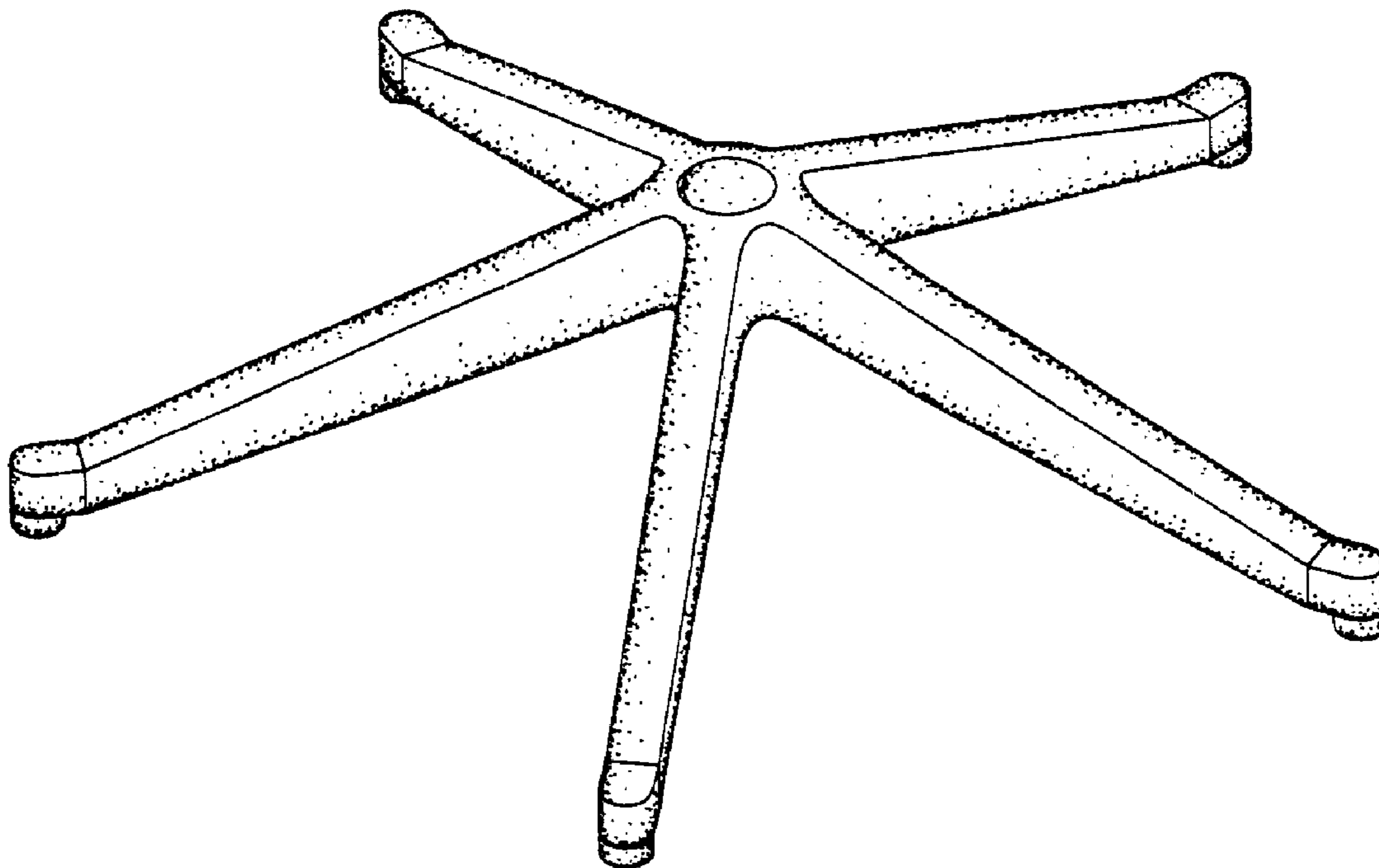
(56) **References Cited**

**U.S. PATENT DOCUMENTS**

- D330,809 S \* 11/1992 Citterio ..... D6/366
- D395,172 S \* 6/1998 Pate ..... D6/366
- D407,911 S \* 4/1999 Brauning ..... D6/366
- D456,625 S \* 5/2002 Frenkler et al. .... D6/366
- D460,870 S \* 7/2002 Van De Riet et al. .... D6/366

FIG. 1 is a perspective view of chair base showing my new design;  
FIG. 2 is a front elevational view thereof;  
FIG. 3 is a rear elevational view thereof;  
FIG. 4 is a left elevational view thereof;  
FIG. 5 is a right elevational view thereof;  
FIG. 6 is top plan view thereof; and,  
FIG. 7 is bottom plan view thereof.

**1 Claim, 3 Drawing Sheets**



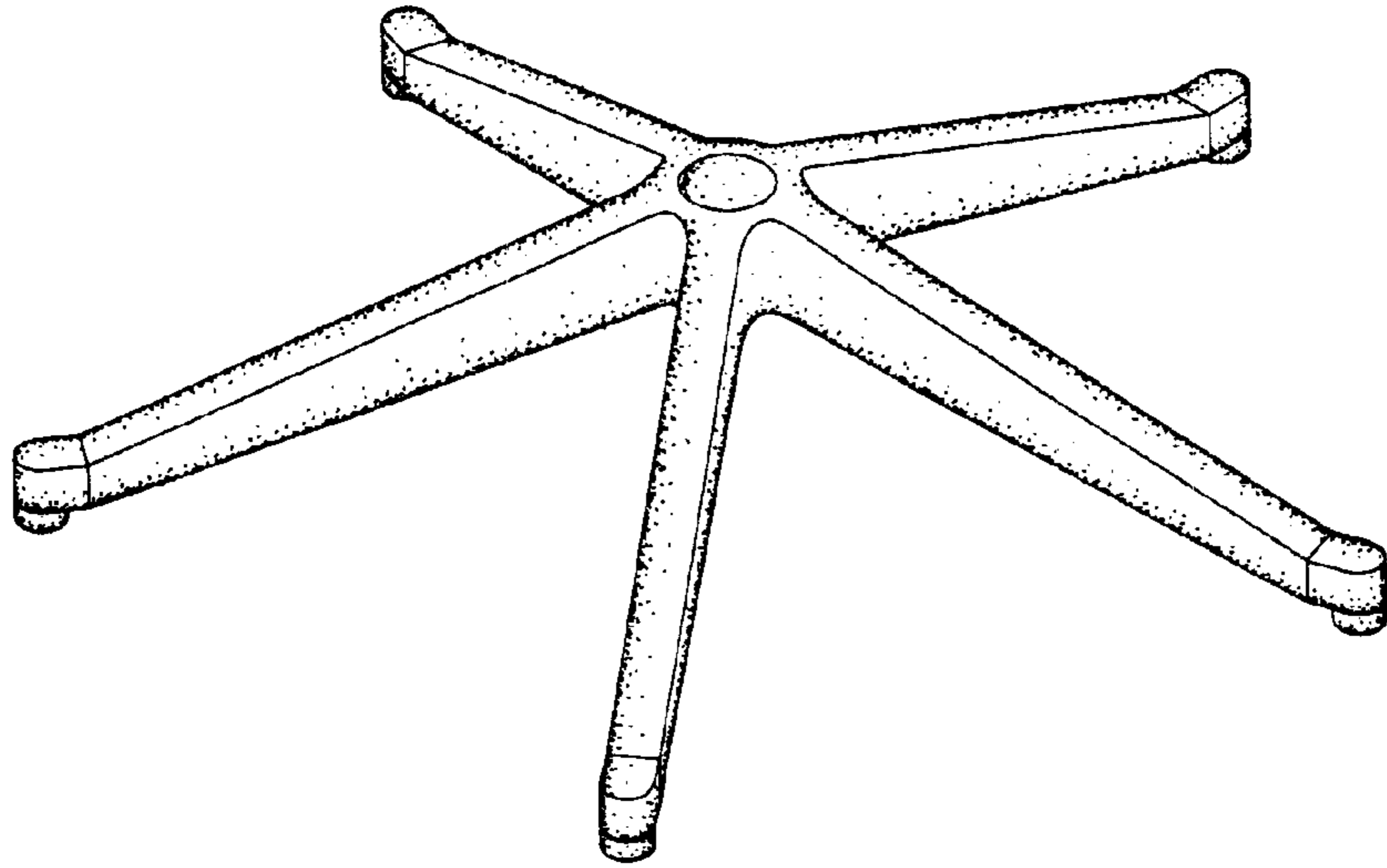


Fig. 1

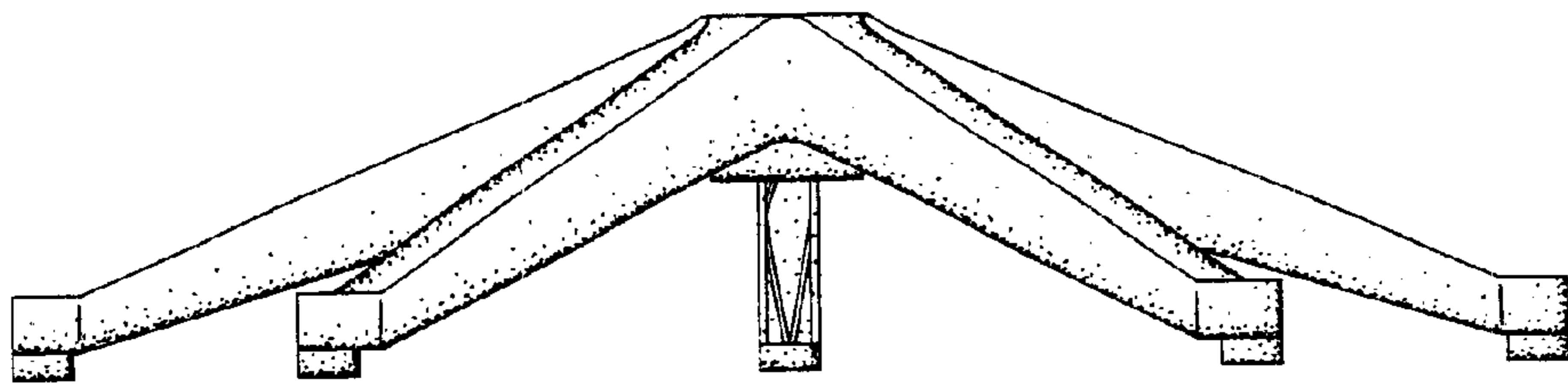


Fig. 2

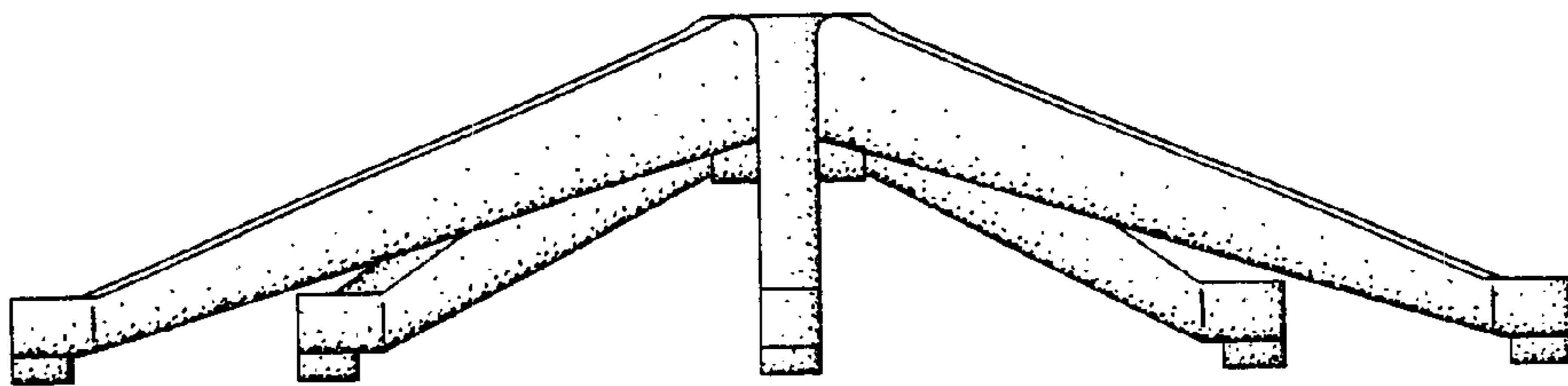


Fig. 3

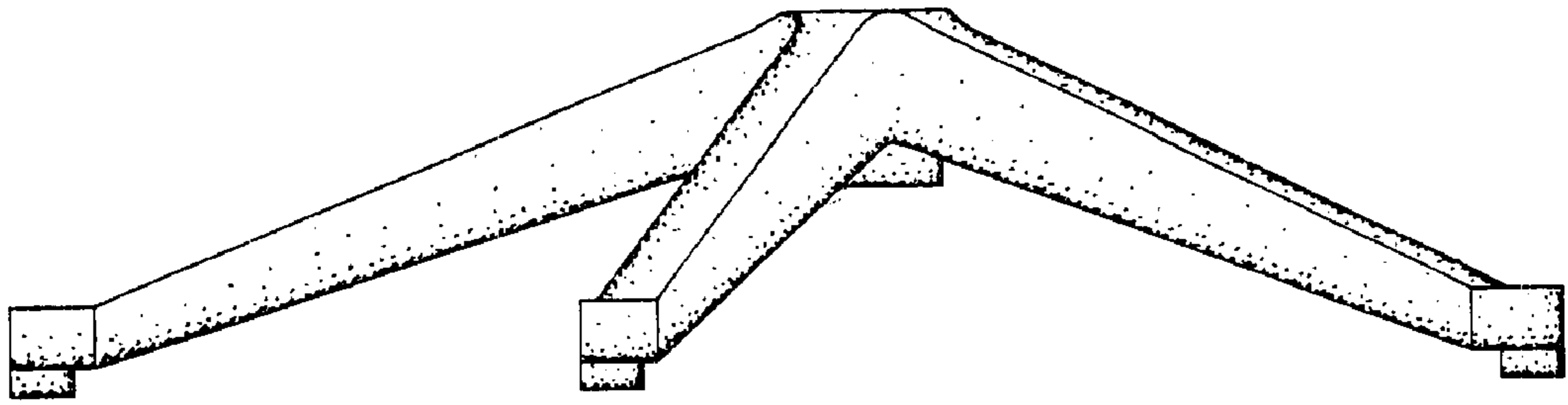


Fig. 4

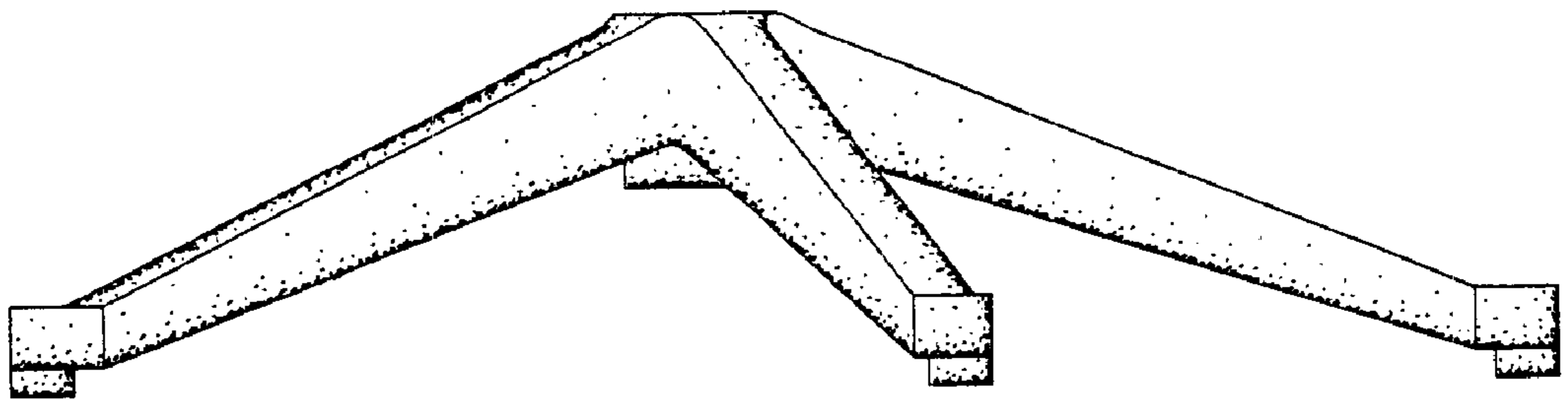


Fig. 5

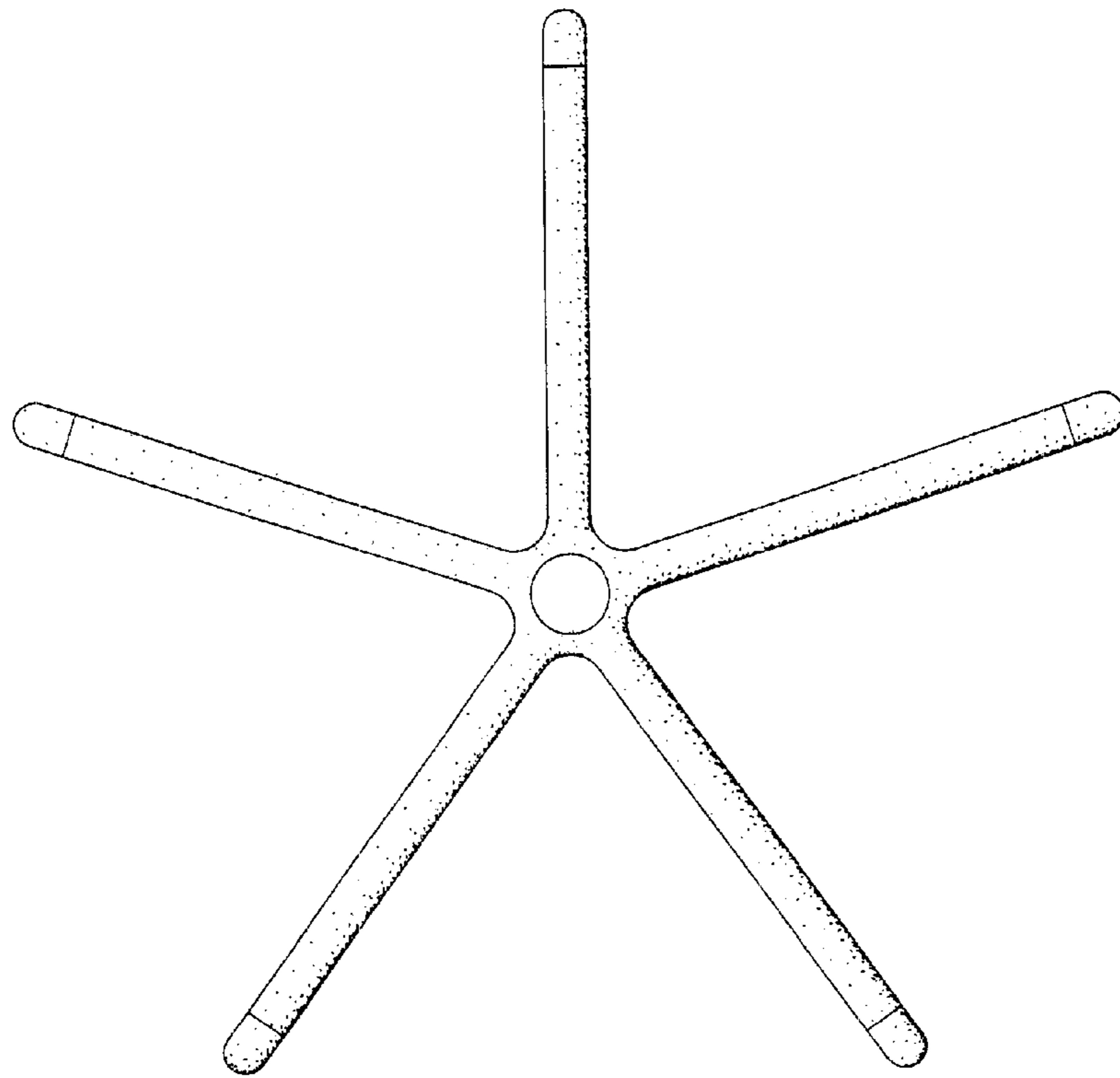


Fig. 6

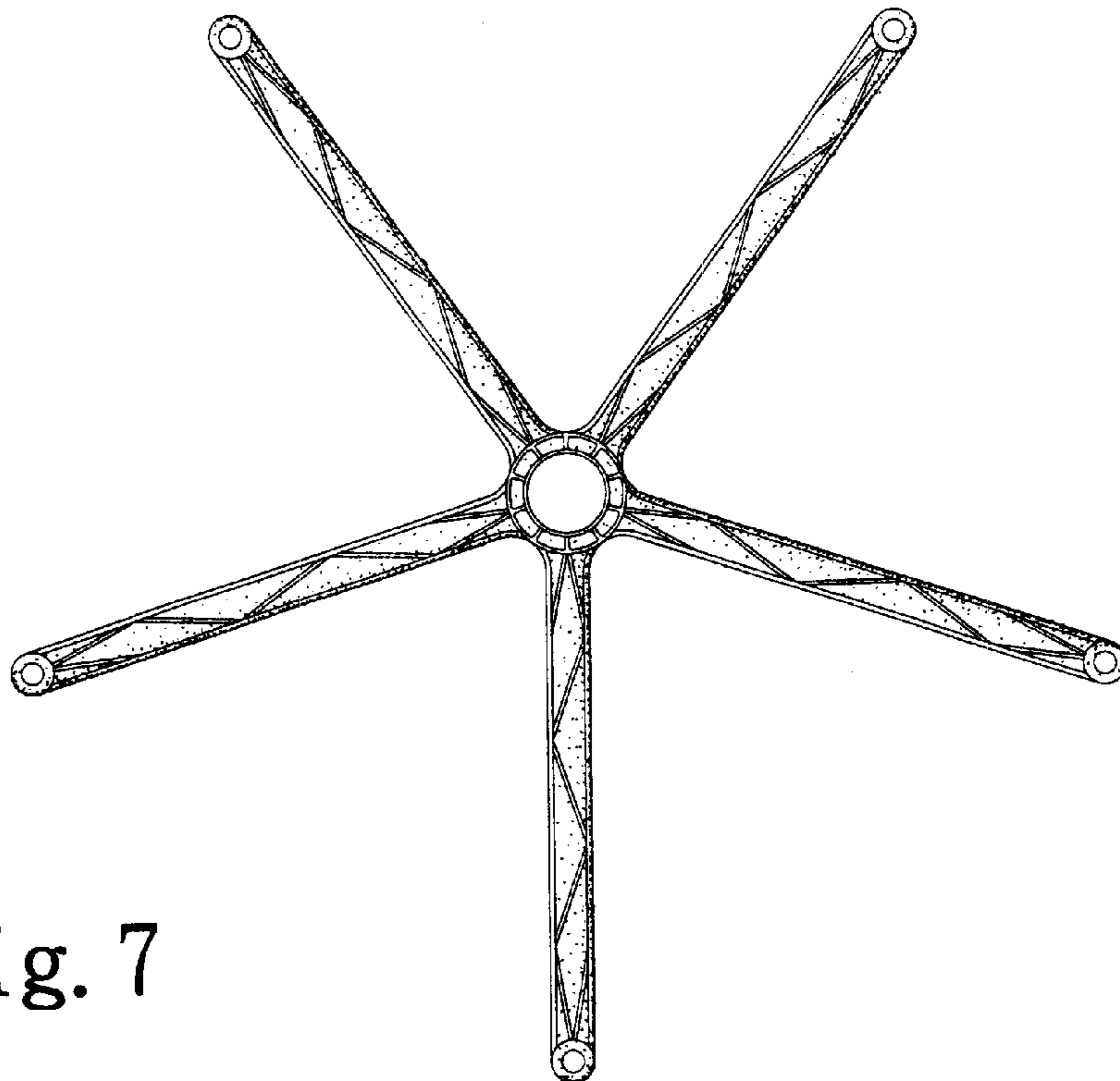


Fig. 7