



US00D482216S

(12) **United States Design Patent**
Weaver

(10) **Patent No.:** **US D482,216 S**

(45) **Date of Patent:** **** Nov. 18, 2003**

(54) **TABLE**

(75) Inventor: **Stephen D. Weaver**, Modesto, CA (US)

(73) Assignee: **Craig Leavitt and Stephen Weaver, Inc.**, Ceres, CA (US)

(**) Term: **14 Years**

(21) Appl. No.: **29/162,779**

(22) Filed: **Jun. 21, 2002**

(51) **LOC (7) Cl.** **06-03**

(52) **U.S. Cl.** **D6/484; D6/477**

(58) **Field of Search** D6/480-489, 495,
D6/477, 479; 108/153.1, 155, 156, 157.1,
161; 248/188, 188.1, 188.8

(56) **References Cited**

U.S. PATENT DOCUMENTS

D93,307 S	*	9/1934	Treitel	D6/477
D149,891 S	*	6/1948	Little	D6/477
D240,871 S	*	8/1976	Herman	D6/484
D298,705 S	*	11/1988	Johnson, Jr.	D6/405
D304,135 S	*	10/1989	Mergenov	D6/477
D309,539 S	*	7/1990	Lewis	D6/479

OTHER PUBLICATIONS

Weaver, "Support Leg," pending U.S. Design patent application Ser. No. 29/166,571, filed Aug. 30, 2002.
Luceplan Suspension Lighting Fixture, Titania Alberto Meda, Paolo Rizzotto, http://www.luceplan.com/sheets/suspen/sh_d17.html, 1989 one page.

Luceplan Suspension Lighting Fixture, Titania, <http://www.luceplan.com/suspension/titania.html>, one page.

Weaver, "Table," pending U.S. Design patent application Ser. No. 29/162,780, filed Jun. 21, 2002.

* cited by examiner

Primary Examiner—Janice E. Seeger

(74) *Attorney, Agent, or Firm*—Heslin Rothenberg Farley & Mesiti P.C.

(57) **CLAIM**

The ornamental design for the table, as shown and described.

DESCRIPTION

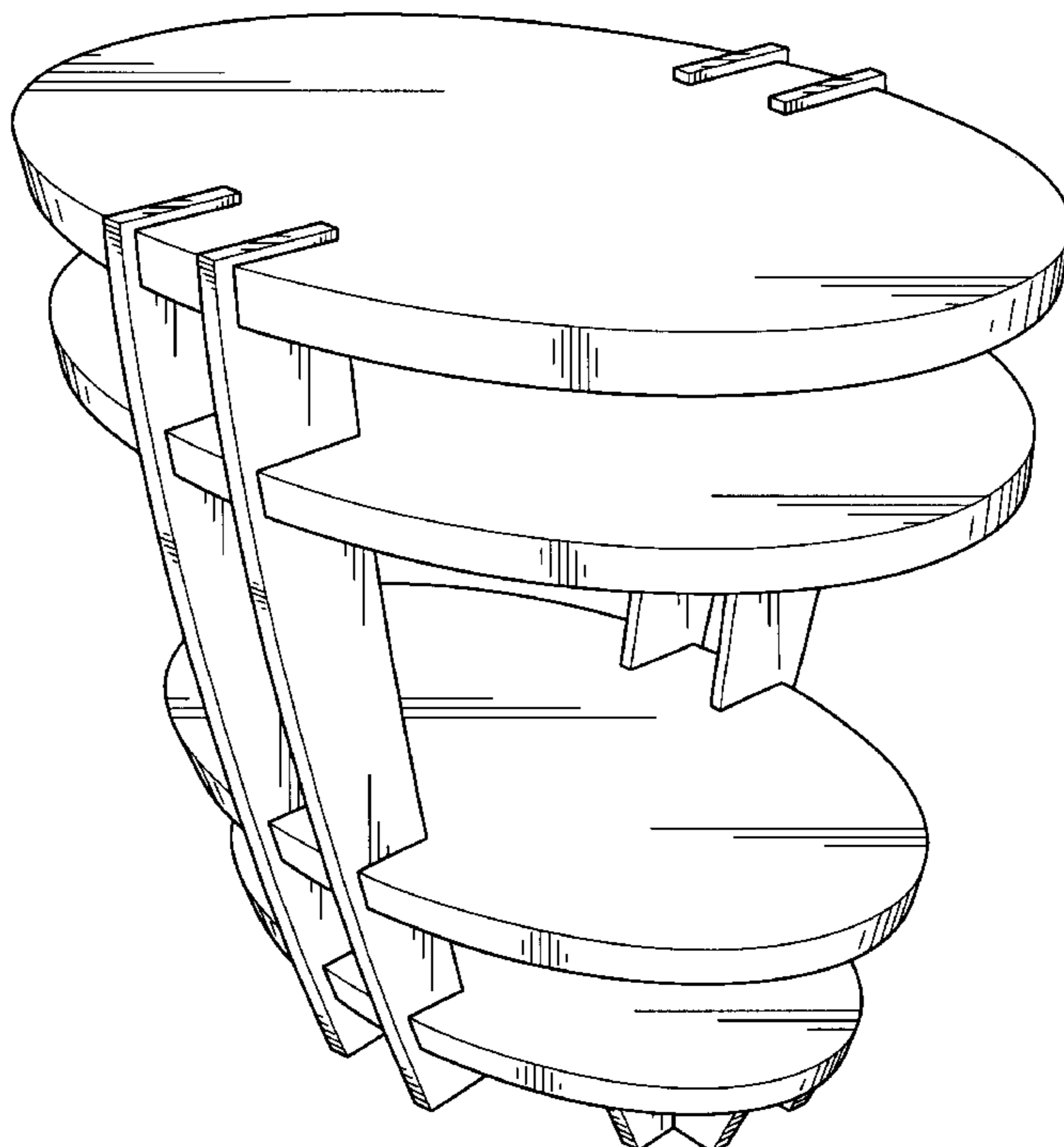
FIG. 1 is a perspective view of a table comprising the new design;

FIG. 2 is a front elevational view thereof;

FIG. 3 is a top view thereof; and,

FIG. 4 is a left side elevational view thereof, a right side elevational view being a mirror image thereof.

1 Claim, 4 Drawing Sheets



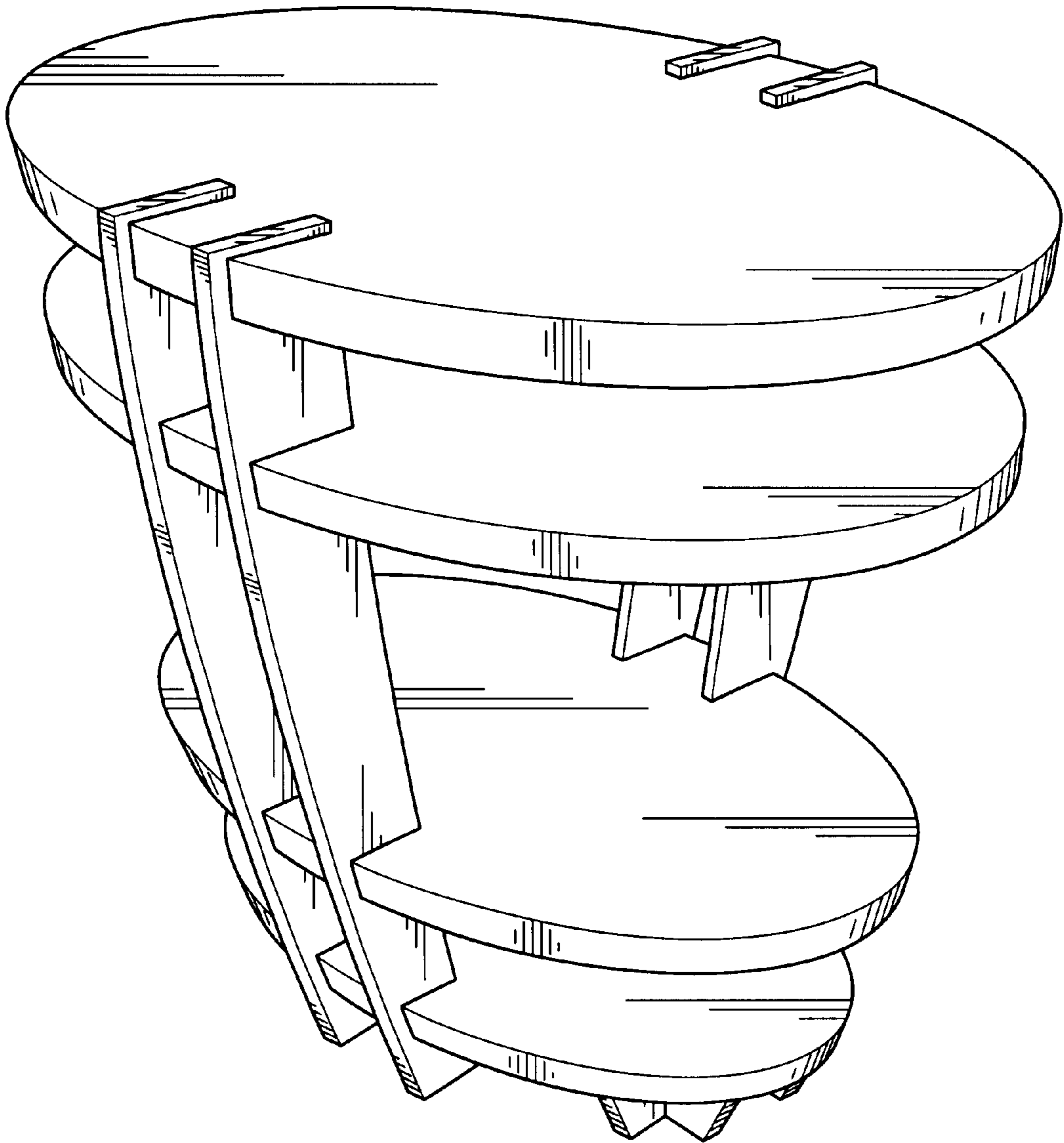


FIG. 1

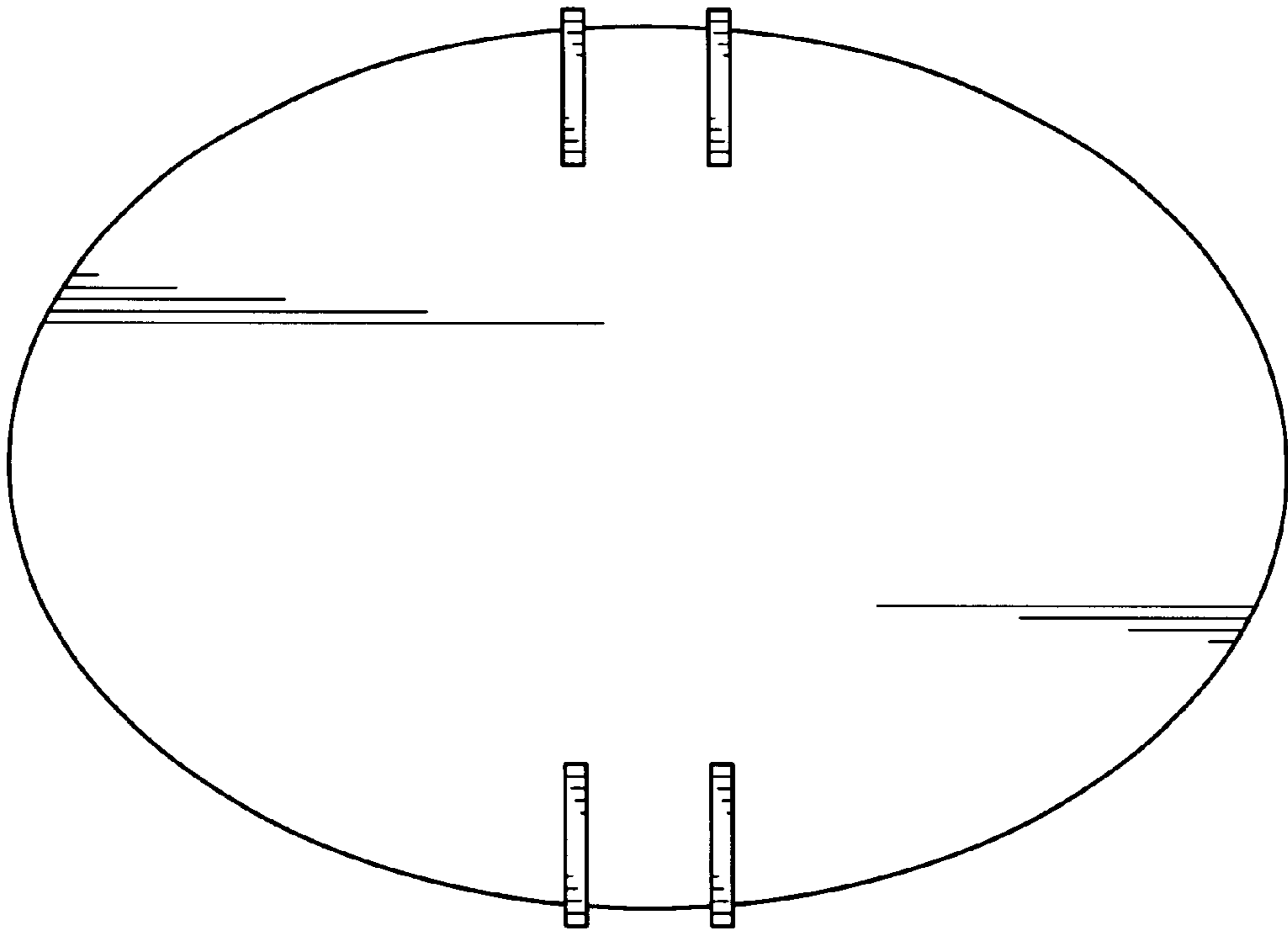


FIG. 2

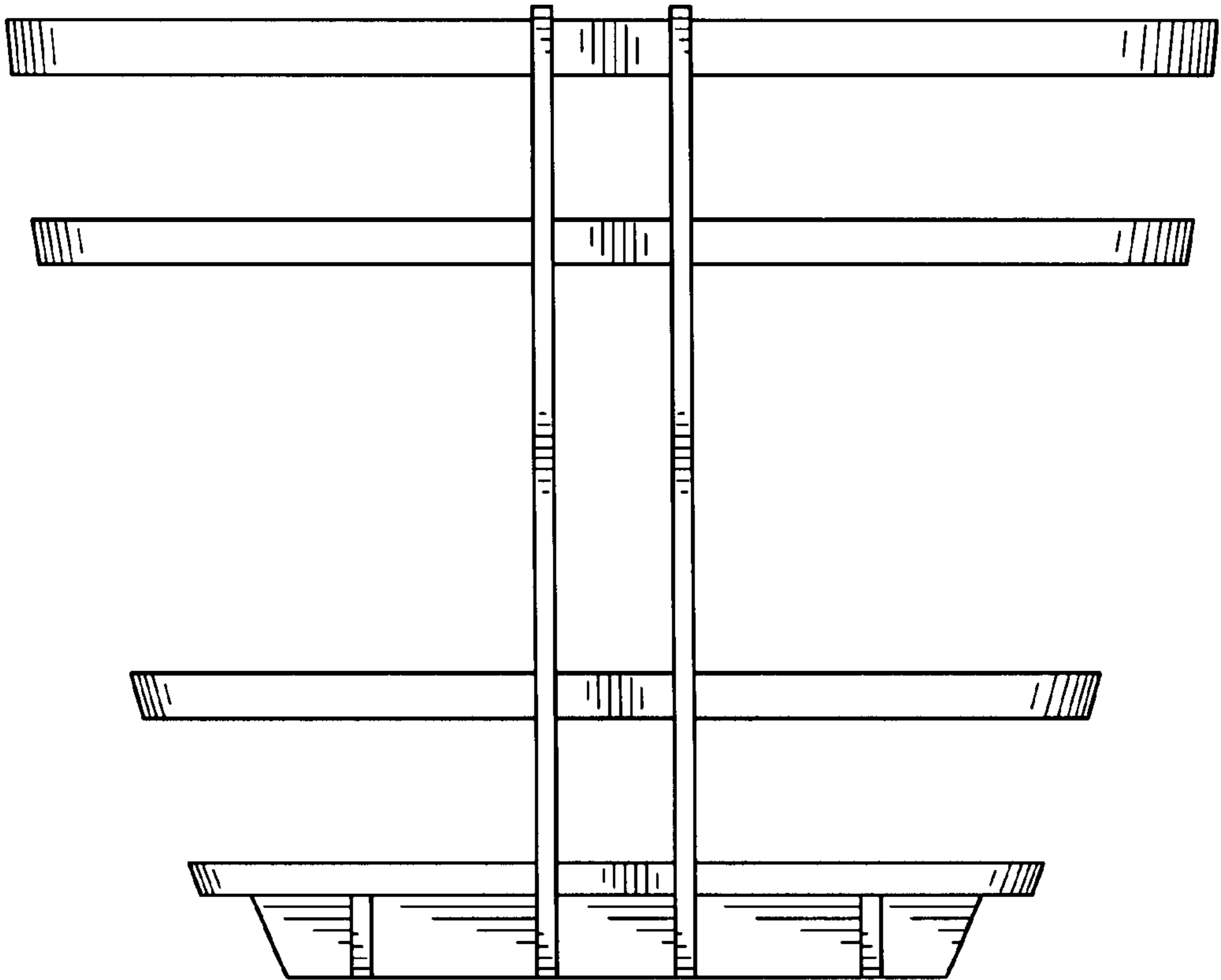


FIG. 3

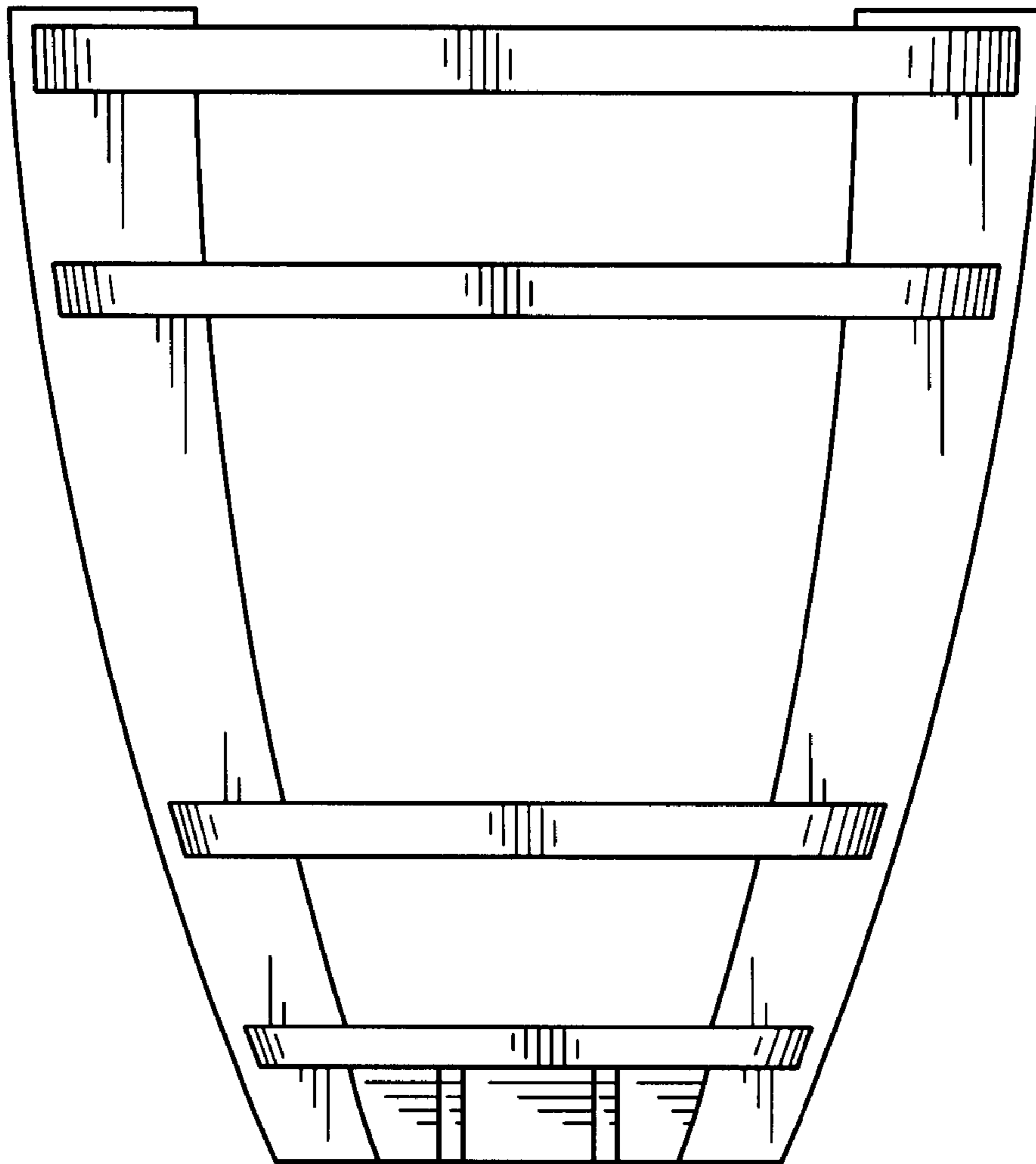


FIG. 4