



US00D482214S

(12) **United States Design Patent**
Weaver

(10) **Patent No.:** **US D482,214 S**

(45) **Date of Patent:** **** Nov. 18, 2003**

(54) **TABLE**

(75) Inventor: **Stephen D. Weaver**, Modesto, CA (US)

(73) Assignee: **Craig Leavitt and Stephen Weaver, Inc.**, Ceres, CA (US)

(**) Term: **14 Years**

(21) Appl. No.: **29/170,342**

(22) Filed: **Nov. 4, 2002**

Related U.S. Application Data

(63) Continuation-in-part of application No. 29/166,571, filed on Aug. 30, 2002.

(51) **LOC (7) Cl.** **06-03**

(52) **U.S. Cl.** **D6/480**

(58) **Field of Search** D6/480-489, 495,
D6/477, 479; 108/153.1, 155, 156, 157.1,
161, 150; 248/188.1, 188, 188.8

(56) **References Cited**

U.S. PATENT DOCUMENTS

D93,307 S	9/1934	Treitel	D6/477
D149,891 S	* 6/1948	Little	D6/488
D240,871 S	8/1976	Herman	D6/484
D298,705 S	11/1988	Johnson, Jr.	D6/405
D304,135 S	10/1989	Mergenov	D6/477
D309,539 S	7/1990	Lewis	D6/479
D328,000 S	7/1992	Weaver	D6/485
D338,578 S	* 8/1993	Tihany	D6/486
5,762,004 A	* 6/1998	Vashon et al.	108/150
D409,418 S	* 5/1999	Lewis	D6/480

OTHER PUBLICATIONS

Weaver, "Table," pending U.S. Design patent application Ser. No. 29/162,779, filed Jun. 21, 2002.

Weaver, "Table," pending U.S. Design patent application Ser. No. 29/162,780, filed Jun. 21, 2002.

Weaver, "Support Leg," pending U.S. Design patent application Ser. No. 29/166,571, filed Aug. 30, 2002.

Weaver et al., "Chair," pending U.S. Design patent application Ser. No. 29/175,768, filed Feb. 10, 2003.

Luceplan Suspension Lighting Fixture, TITANIA Alberto Media, Paolo Rizzotto, http://www.luceplan.com/sheets/suspen/sh_d17.html, 1989 one page.

Luceplan Suspension Lighting Fixture, TITANIA, <http://www.luceplan.com/suspension/titania.html>, one page.

* cited by examiner

Primary Examiner—Janice E. Seeger

(74) *Attorney, Agent, or Firm*—Heslin Rothenberg Farley & Mesiti P.C.

(57) **CLAIM**

The ornamental design for the table, as shown and described.

DESCRIPTION

FIG. 1 is a perspective view of a table comprising the new design;

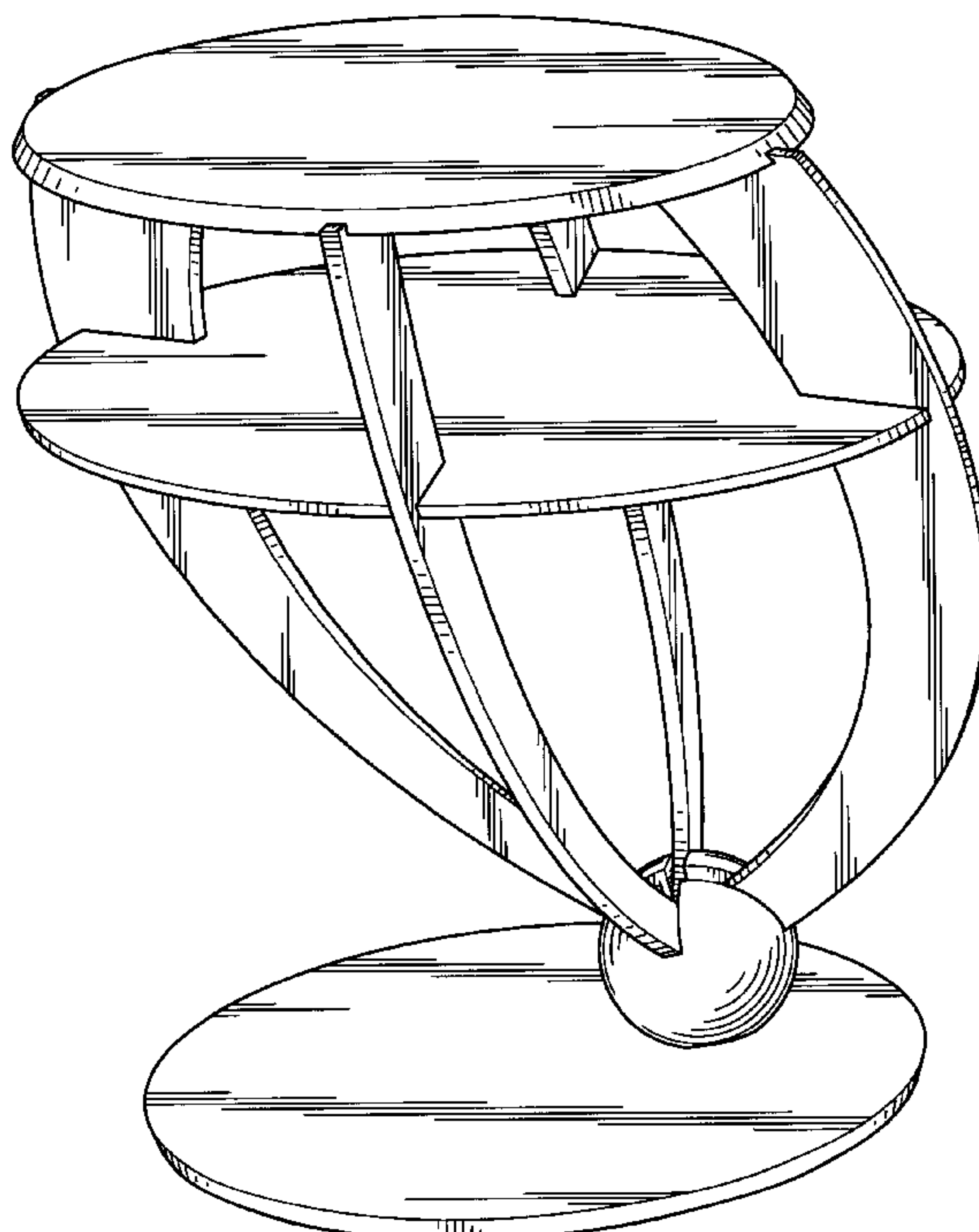
FIG. 2 is a top view thereof;

FIG. 3 is a front elevational view thereof;

FIG. 4 is a right side elevational view thereof, the left side elevational view being a mirror image thereof; and,

FIG. 5 is a rear elevational view thereof.

1 Claim, 5 Drawing Sheets



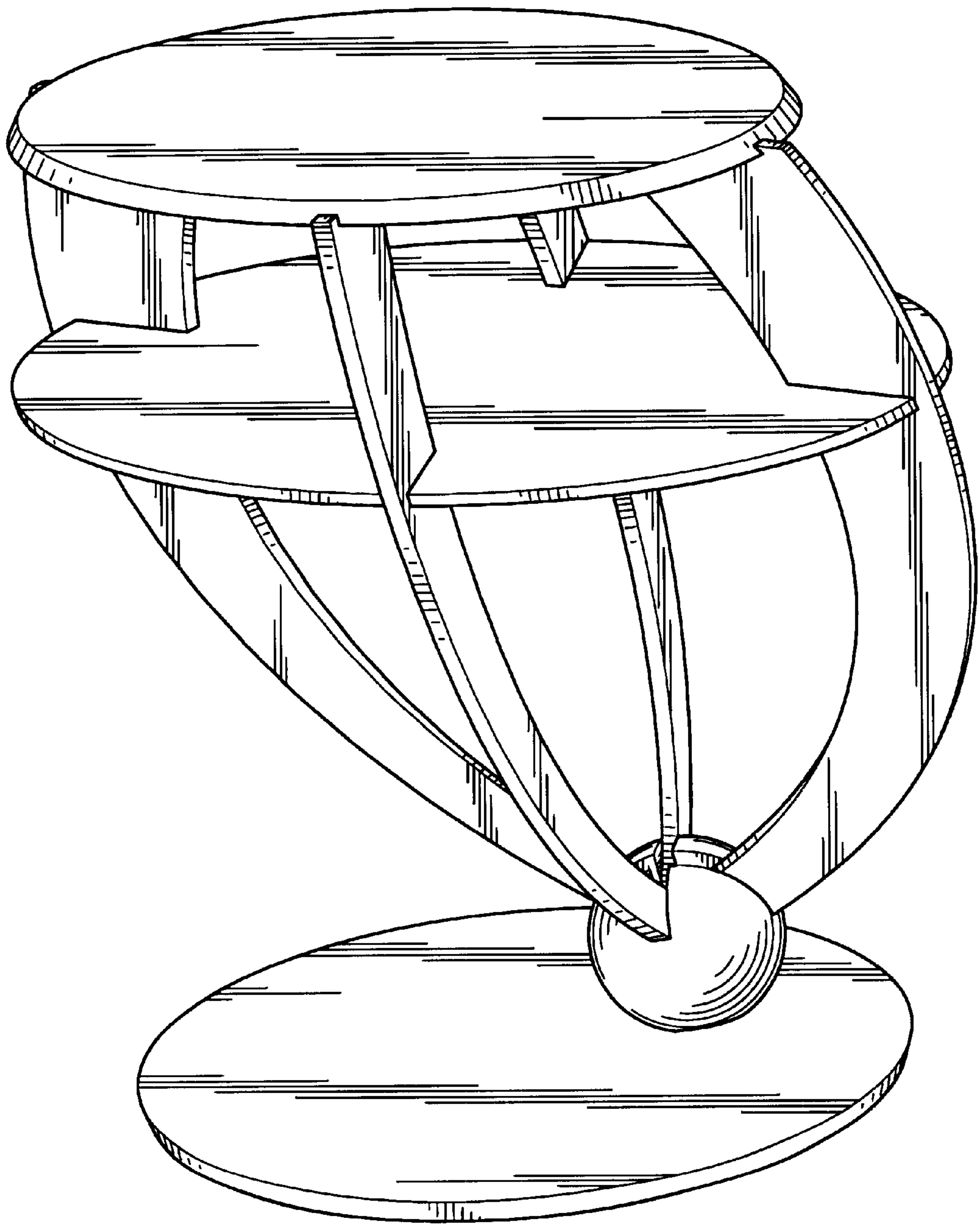


FIG. 1

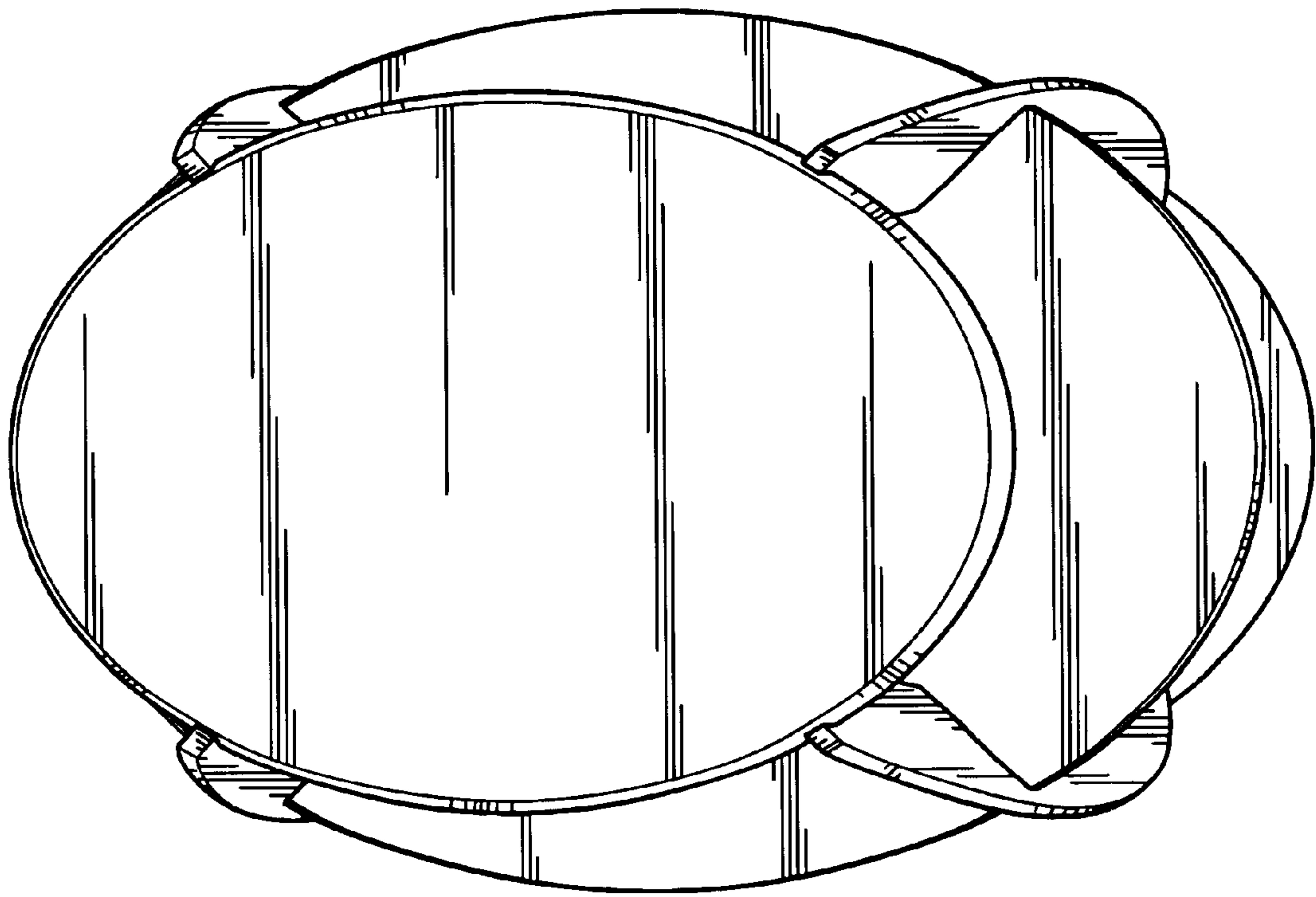


FIG. 2

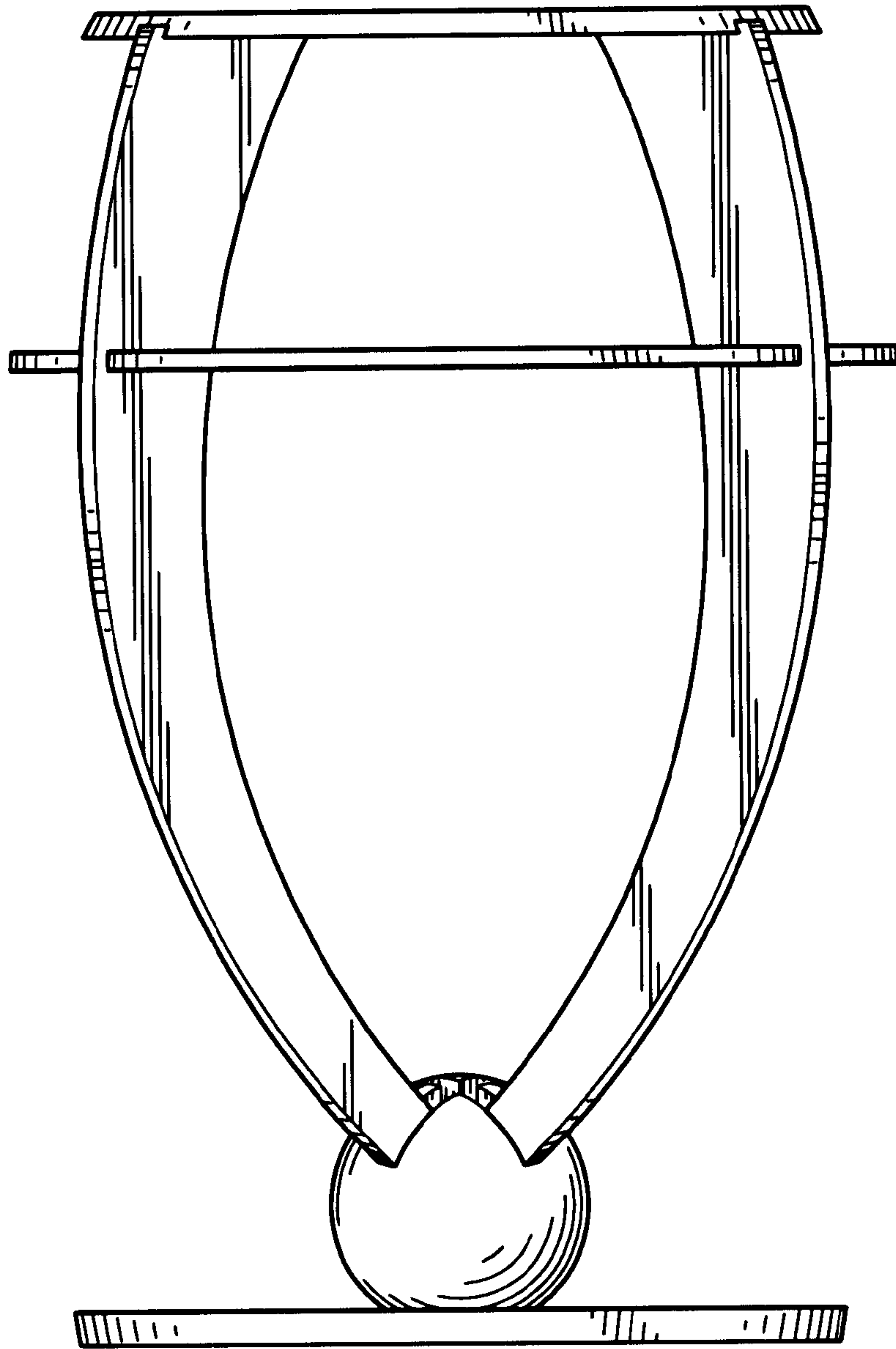


FIG. 3

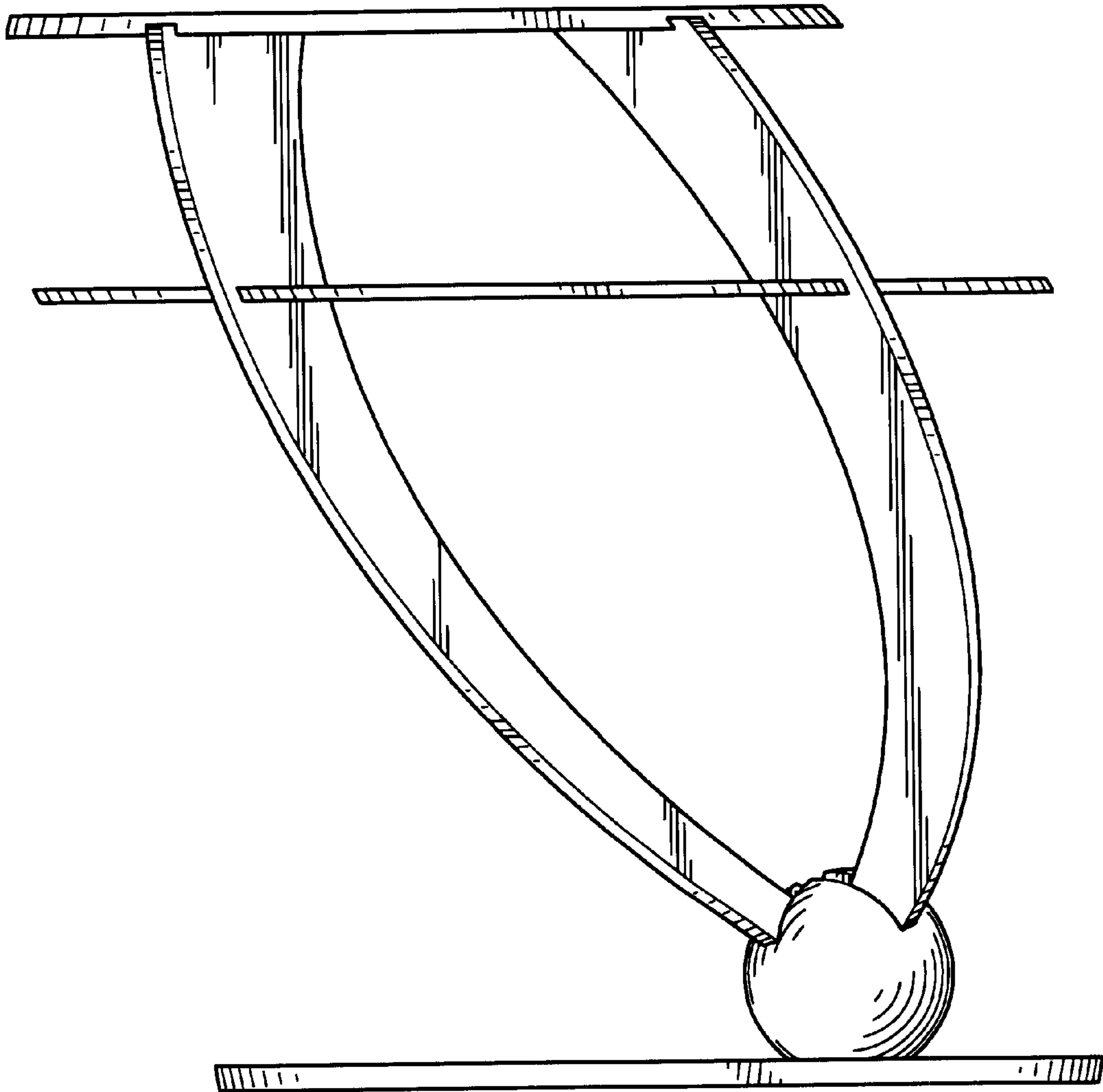


FIG. 4

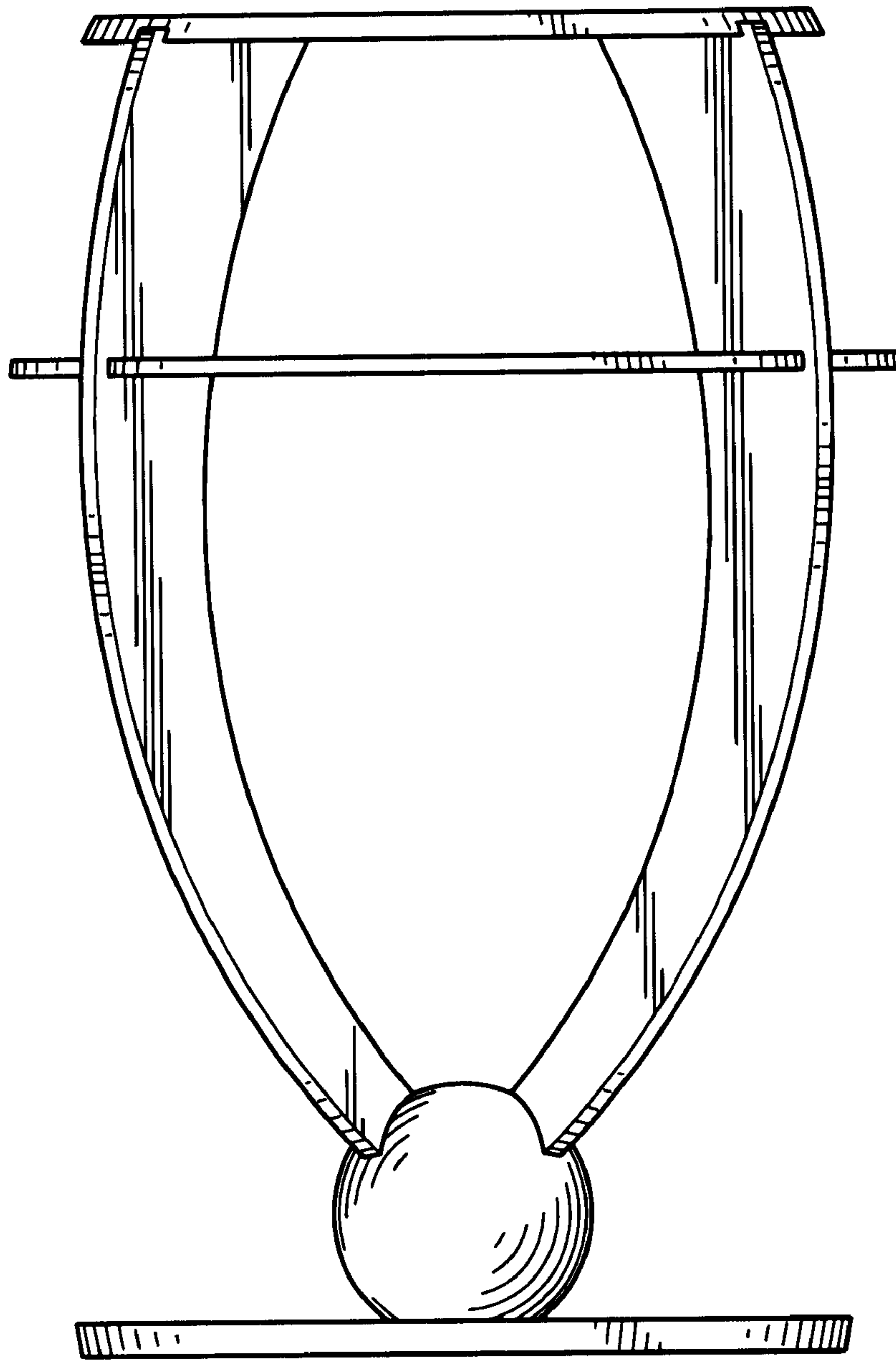


FIG. 5