



US00D482213S

(12) **United States Design Patent**
Cohon

(10) **Patent No.: US D482,213 S**

(45) **Date of Patent: ** Nov. 18, 2003**

(54) **LAMPSHADE DISPLAY**

D307,088 S * 4/1990 Frieden, Jr. D6/461 X
6,502,707 B1 * 1/2003 Sullivan 211/163

(76) Inventor: **Richard Cohon**, 600 Summit Ave.,
Hackensack, NJ (US) 07601

* cited by examiner

(**) Term: **14 Years**

Primary Examiner—Cathron C. Brooks
(74) *Attorney, Agent, or Firm*—Kirschstein, et al.

(21) Appl. No.: **29/172,054**

(57) **CLAIM**

(22) Filed: **Dec. 5, 2002**

The ornamental design for a lampshade display, as shown and described.

(51) **LOC (7) Cl.** **06-04**

(52) **U.S. Cl.** **D6/465**

(58) **Field of Search** D6/396, 397, 436,
D6/437, 411, 415, 449, 455-469; 108/59,
91, 92, 93, 94; 211/11, 13.1, 85.1, 85.2,
85.4, 70, 78, 107, 131.1, 133.2, 163, 164,
181.1, 182

DESCRIPTION

(56) **References Cited**

U.S. PATENT DOCUMENTS

D206,921 S * 2/1967 Burchett D6/462
4,036,367 A * 7/1977 Stambaugh et al. 211/163 X
4,736,856 A * 4/1988 Alneng et al. 211/163 X

FIG. 1 is a front elevational view of a lampshade display according to my new design;
FIG. 2 is a top plan view thereof;
FIG. 3 is a right side elevational view thereof, the left side being a mirror image;
FIG. 4 is a rear elevational view thereof;
FIG. 5 is a bottom plan view thereof; and,
FIG. 6 is an enlarged sectional view taken on line 6-6 of FIG. 1.

1 Claim, 4 Drawing Sheets

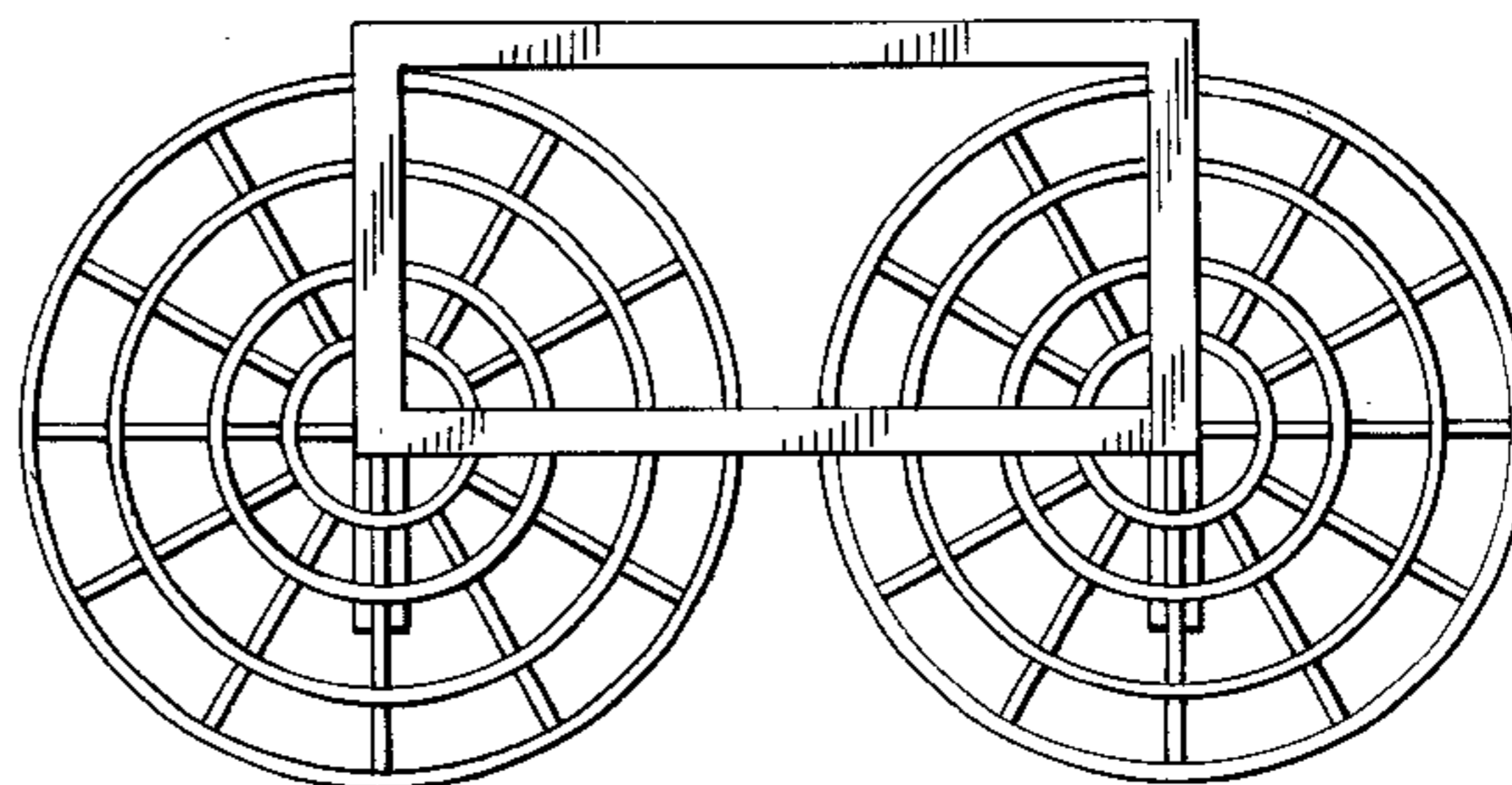
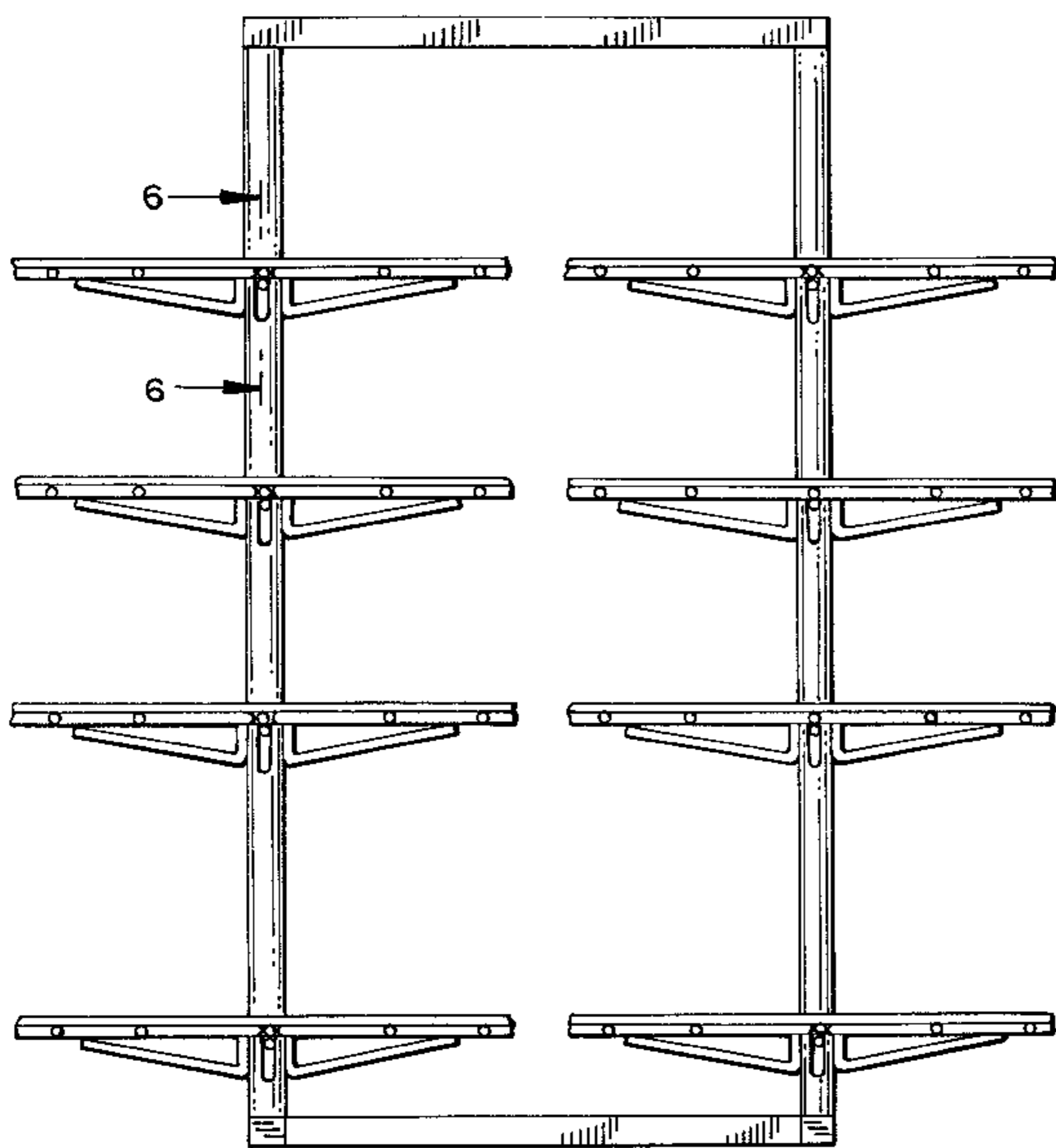
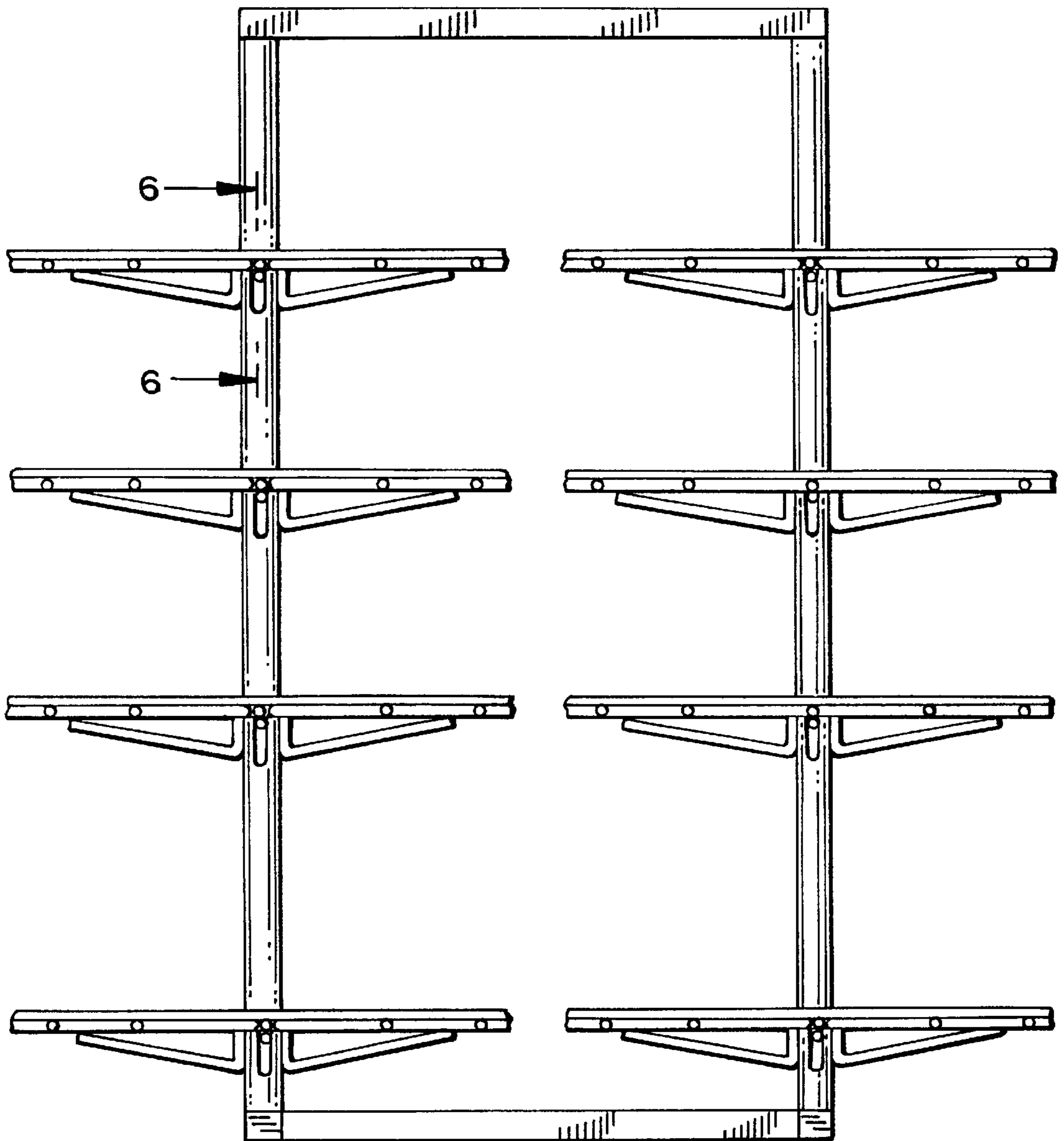


FIG. 1



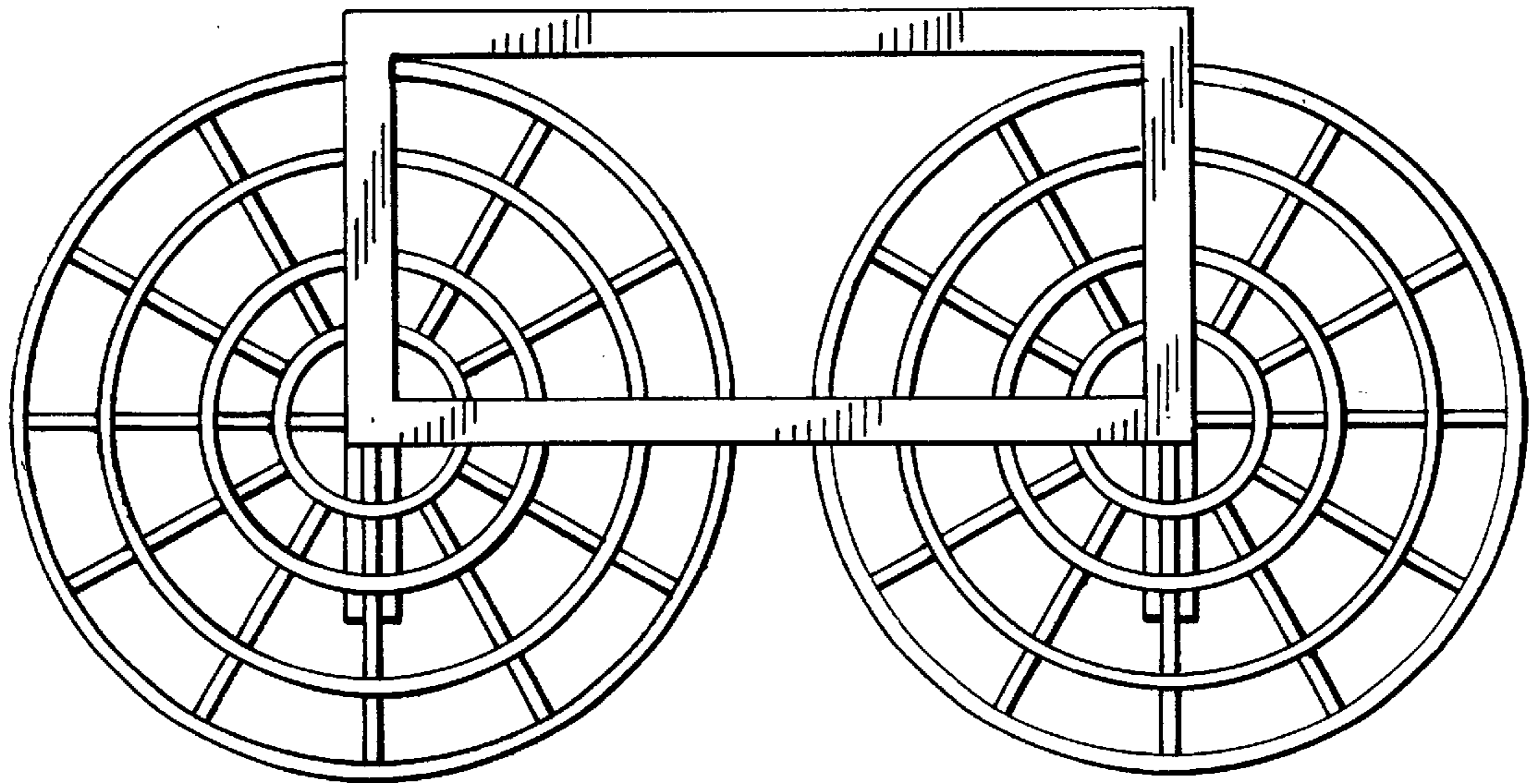


FIG. 2

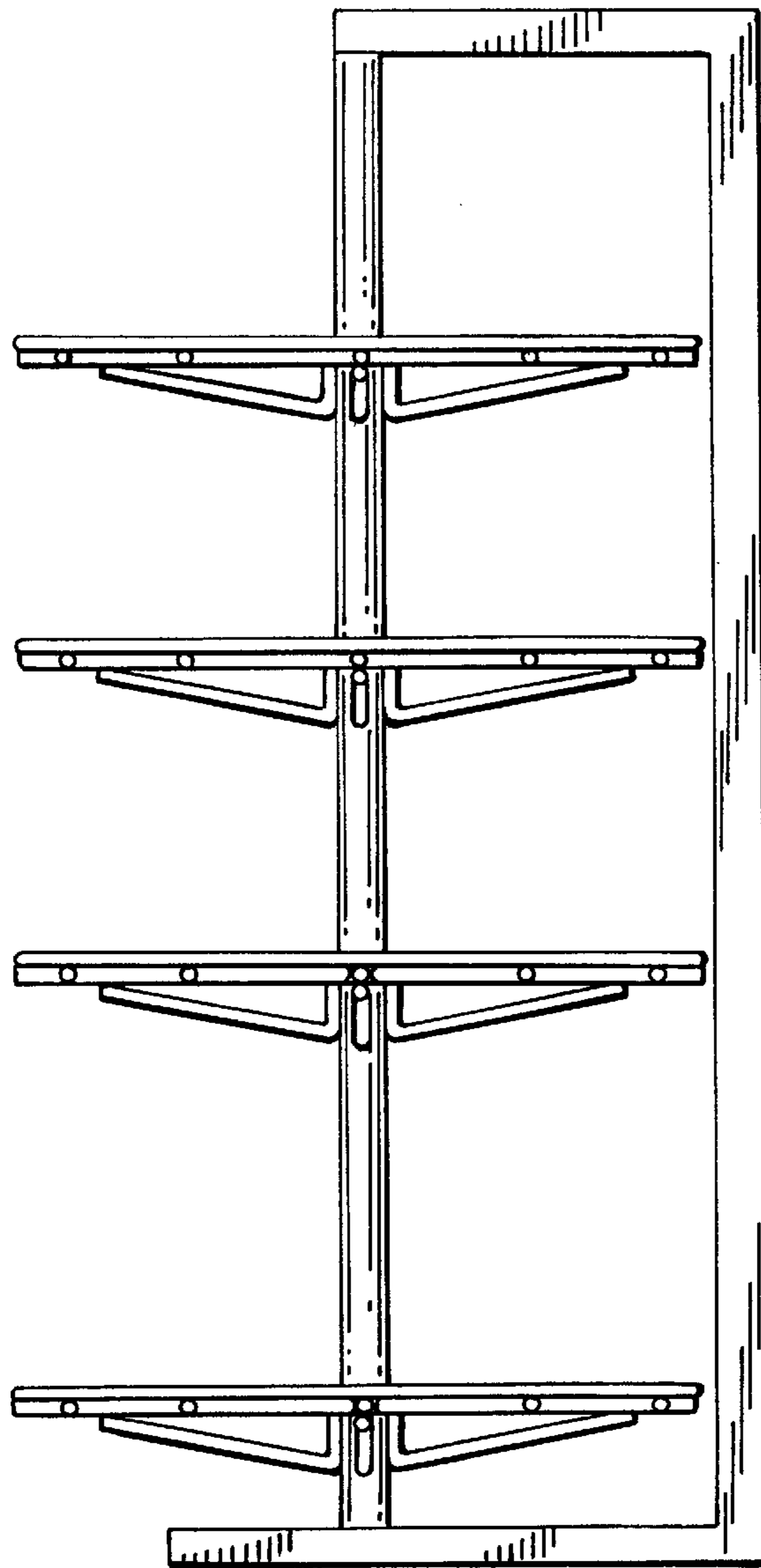
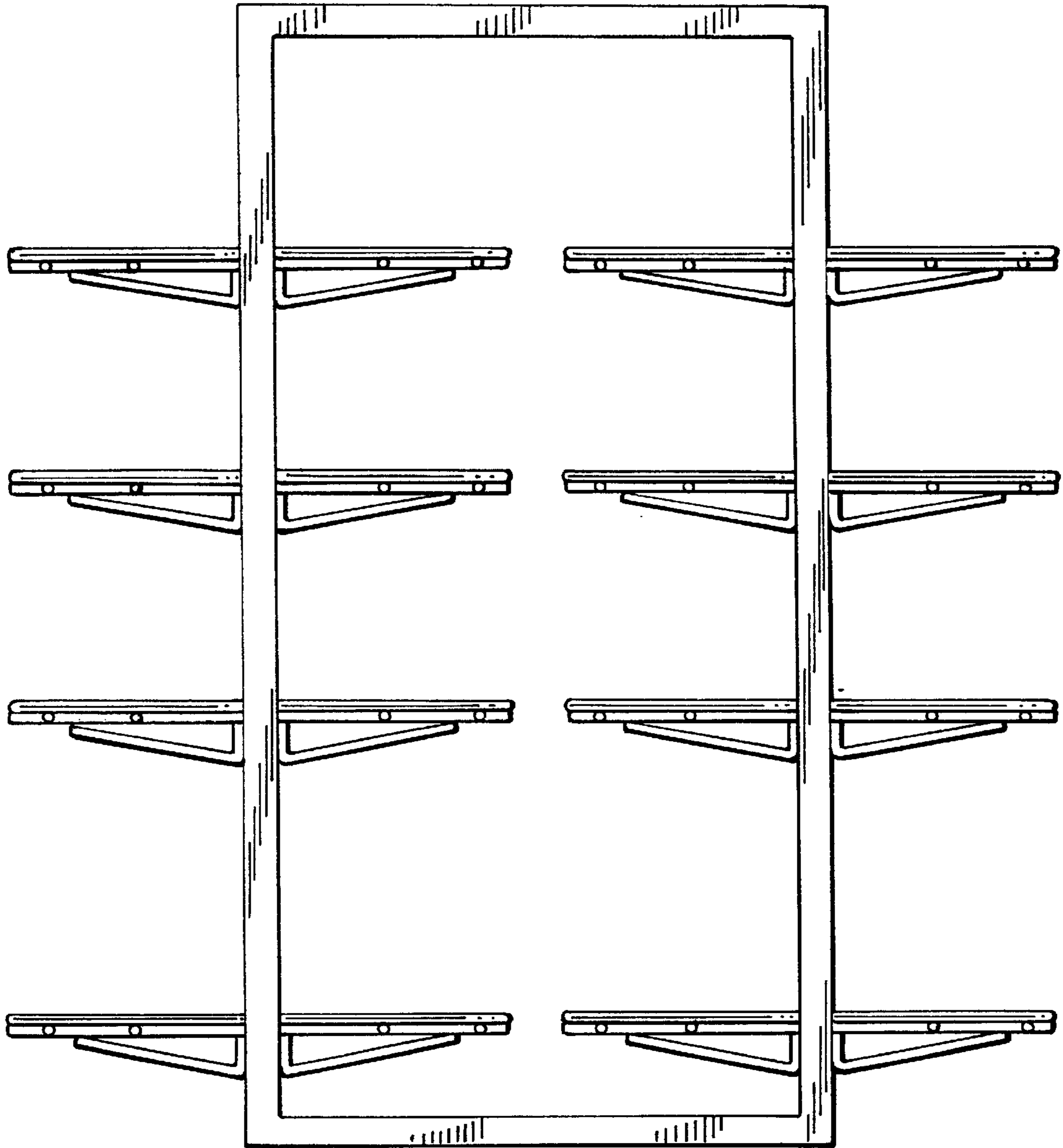


FIG. 3

FIG. 4



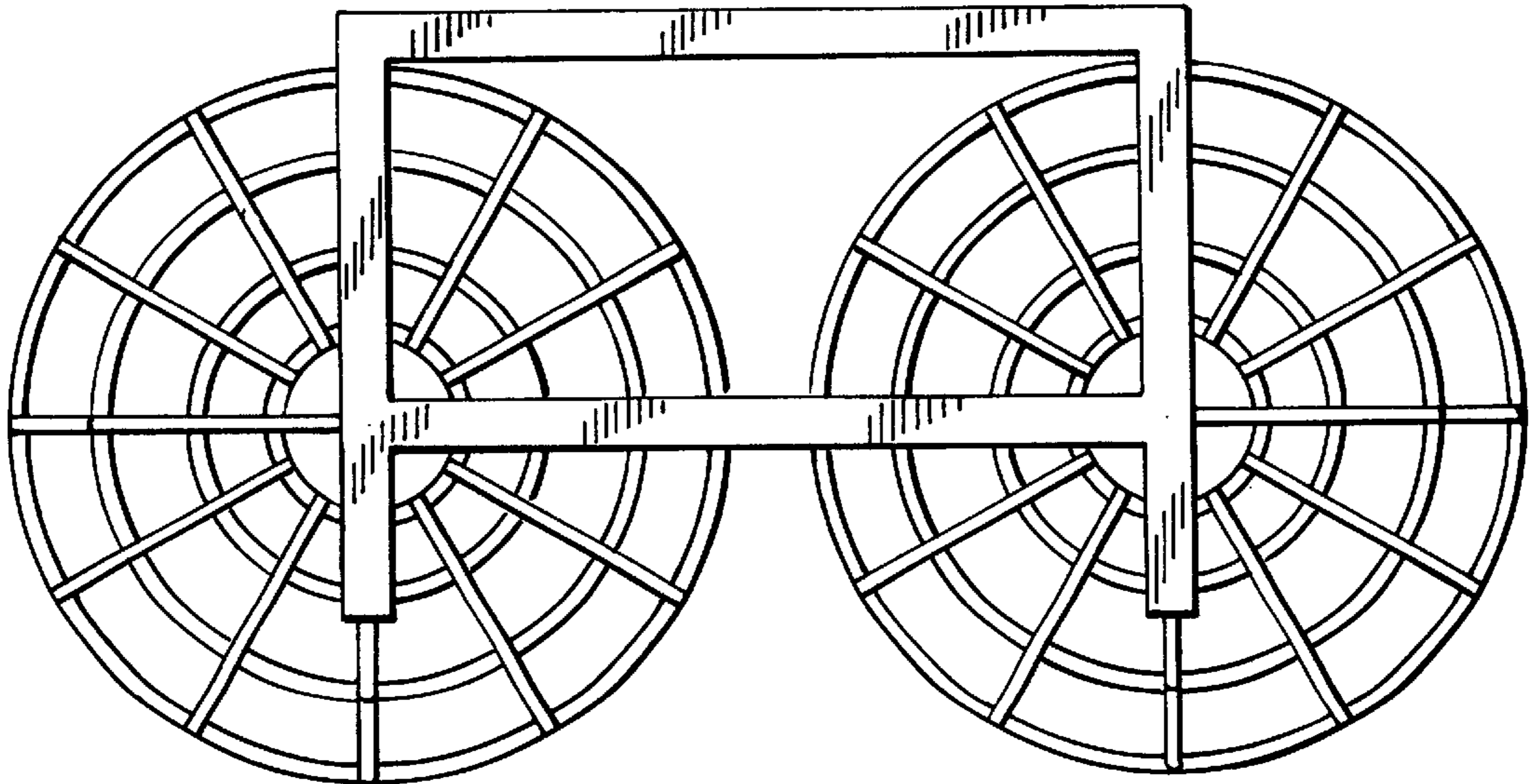


FIG. 5

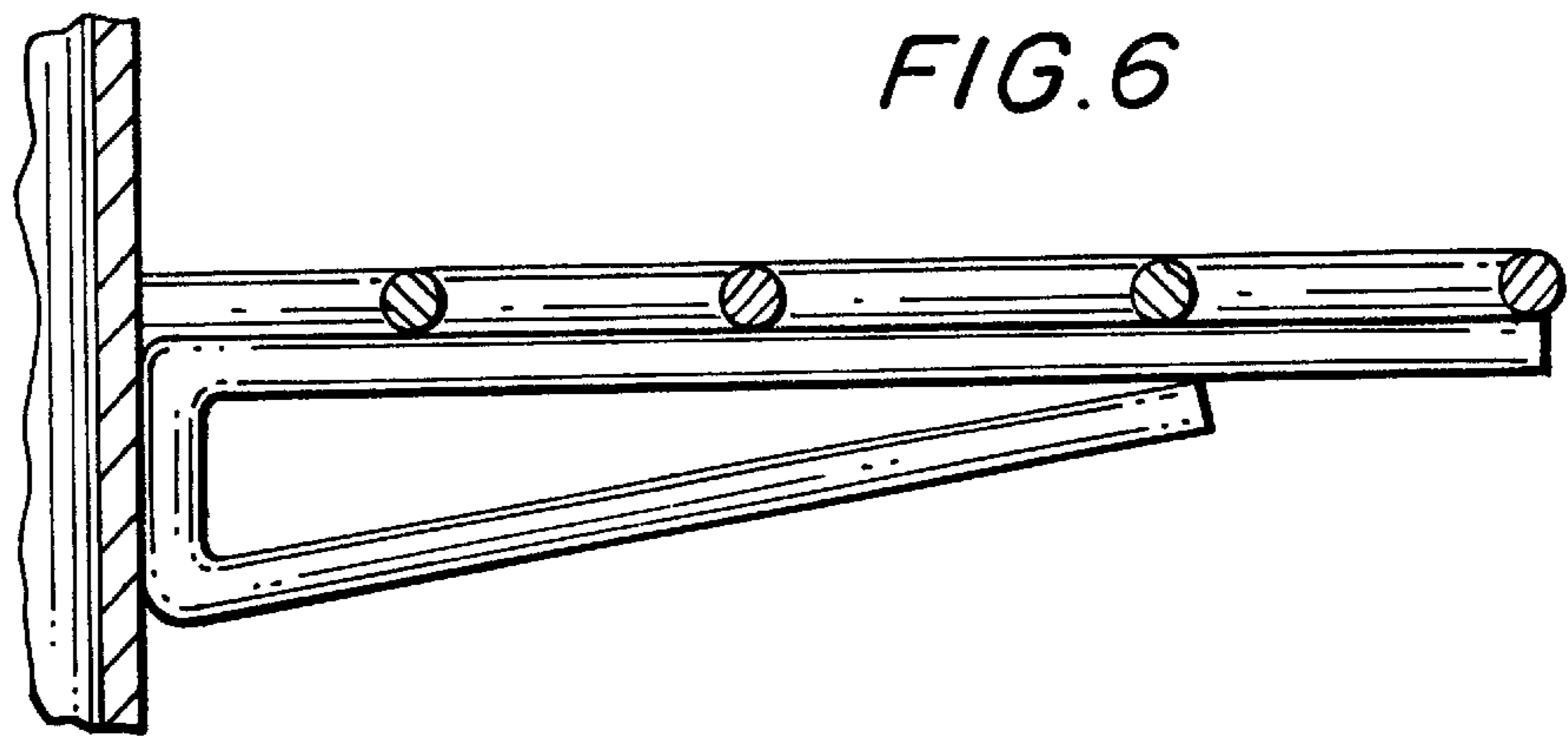


FIG. 6