



US00D482211S

(12) **United States Design Patent**
Berry et al.

(10) **Patent No.:** **US D482,211 S**

(45) **Date of Patent:** **** Nov. 18, 2003**

(54) **DISPLAY CASE**

(75) Inventors: **Dennis G. Berry**, Carlisle, KY (US);
James R. Donaldson, Mt. Sterling, KY (US)

(73) Assignee: **Display It, Inc.**, Cynthiana, KY (US)

(**) Term: **14 Years**

(21) Appl. No.: **29/162,740**

(22) Filed: **Jun. 20, 2002**

(51) **LOC (7) Cl.** **06-04**

(52) **U.S. Cl.** **D6/450; D6/470**

(58) **Field of Search** D6/314, 470, 471,
D6/472, 450; D11/131, 133, 157; 312/114,
126, 204

(56) **References Cited**

U.S. PATENT DOCUMENTS

D265,866 S	8/1982	Levin	
D270,121 S	8/1983	Brown	
D363,089 S	* 10/1995	Noreika D6/314 X
D367,677 S	* 3/1996	Noreika D6/314 X
D369,042 S	4/1996	Kinart	

D380,855 S	*	7/1997	Arshad	D11/157 X
D397,885 S		9/1998	Reed		
D399,075 S	*	10/1998	Muntener	D6/450
D408,757 S	*	4/1999	Stones	D11/133 X
D426,983 S	*	6/2000	Santoviz, Jr.	D6/450
D446,971 S		8/2001	Aguayo, Jr.		

* cited by examiner

Primary Examiner—Cathron C. Brooks

(74) *Attorney, Agent, or Firm*—King & Schickli, PLLC

(57) **CLAIM**

The ornamental design for a display case, as shown and described.

DESCRIPTION

FIG. 1 is a perspective view of the display case of the present invention;

FIG. 2 is a front elevational view thereof;

FIG. 3 is a right side elevational view thereof;

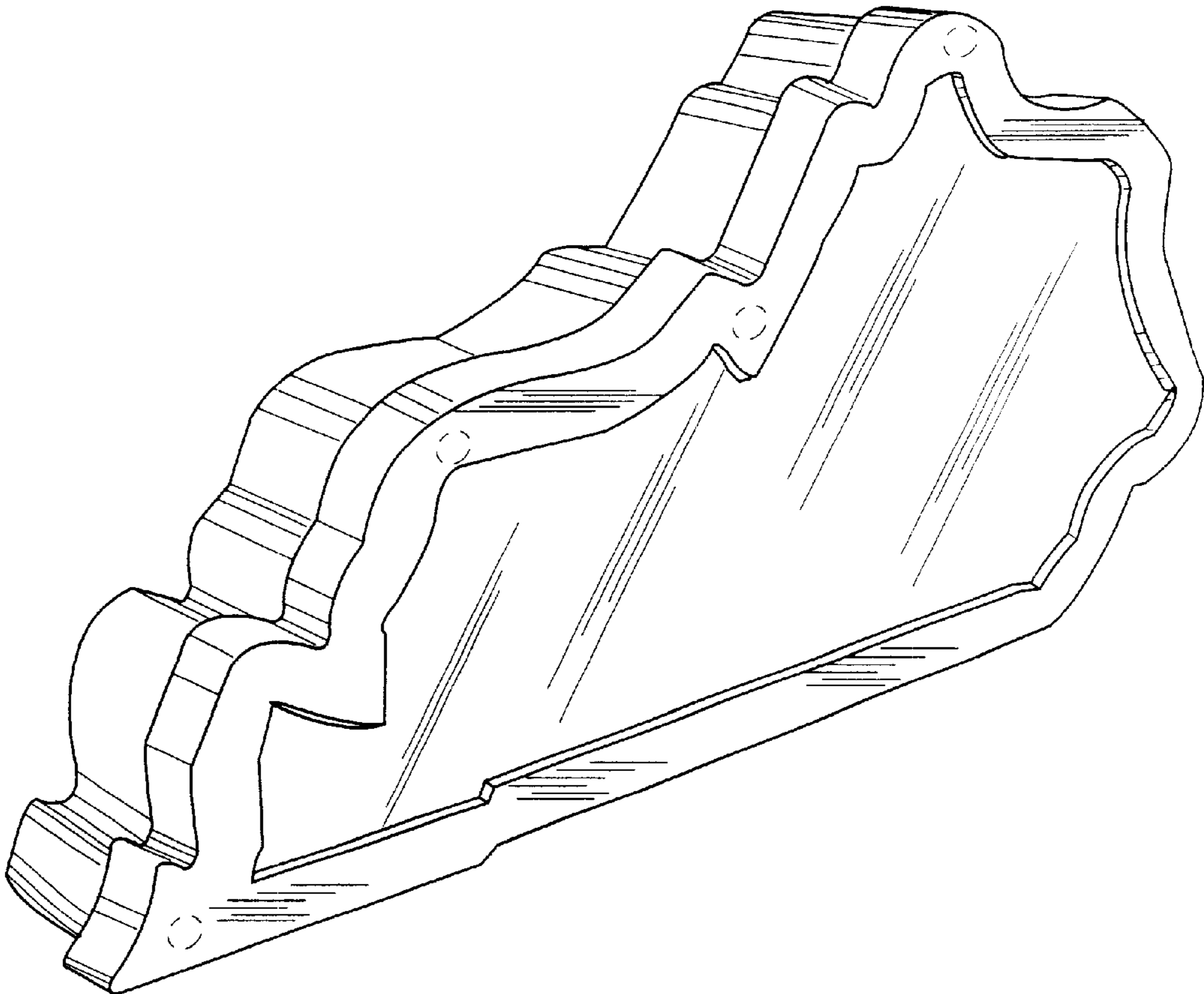
FIG. 4 is a rear elevational view thereof;

FIG. 5 is a left side elevational view thereof;

FIG. 6 is a top plan view thereof; and,

FIG. 7 is a bottom plan view thereof.

1 Claim, 3 Drawing Sheets



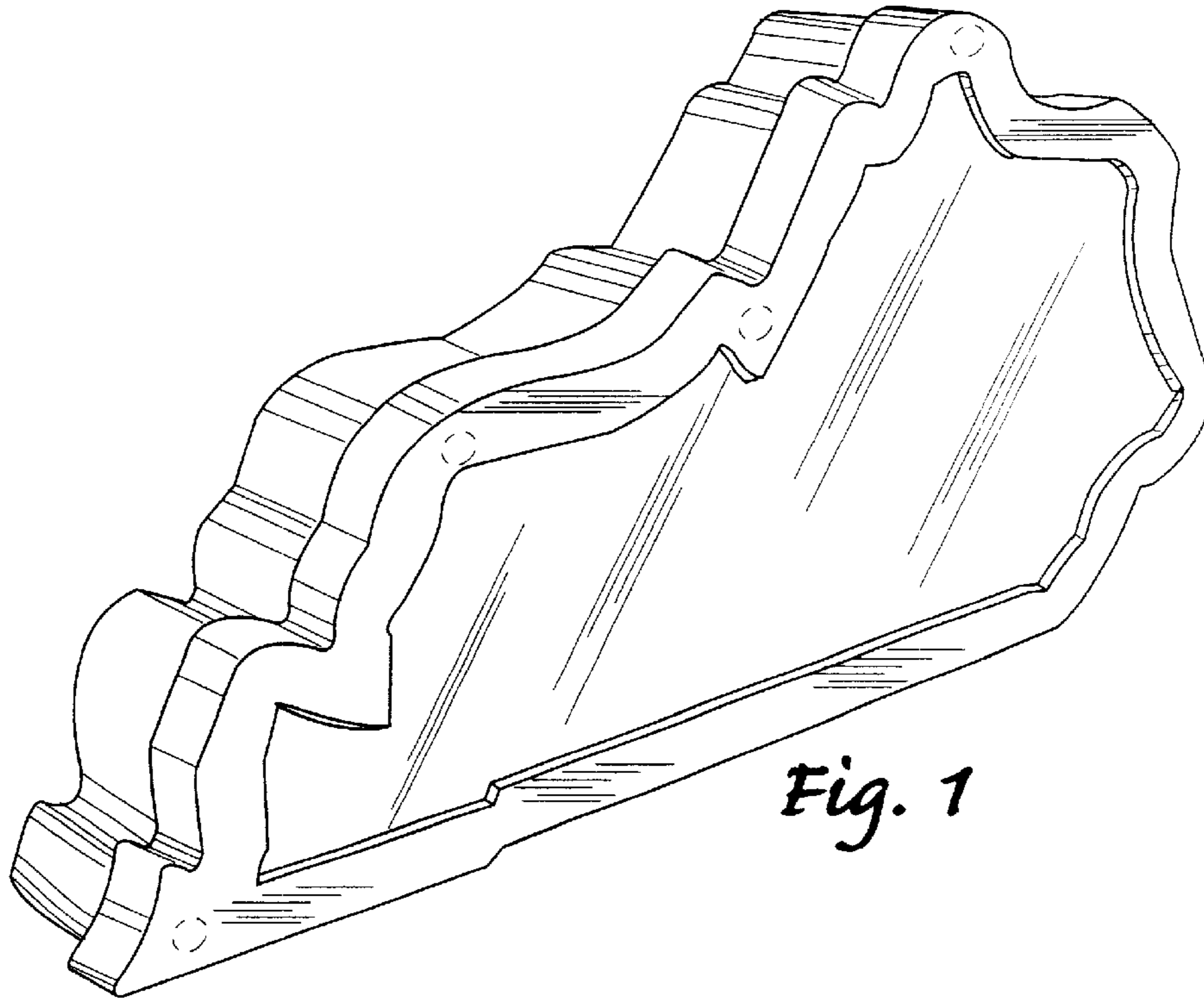


Fig. 1

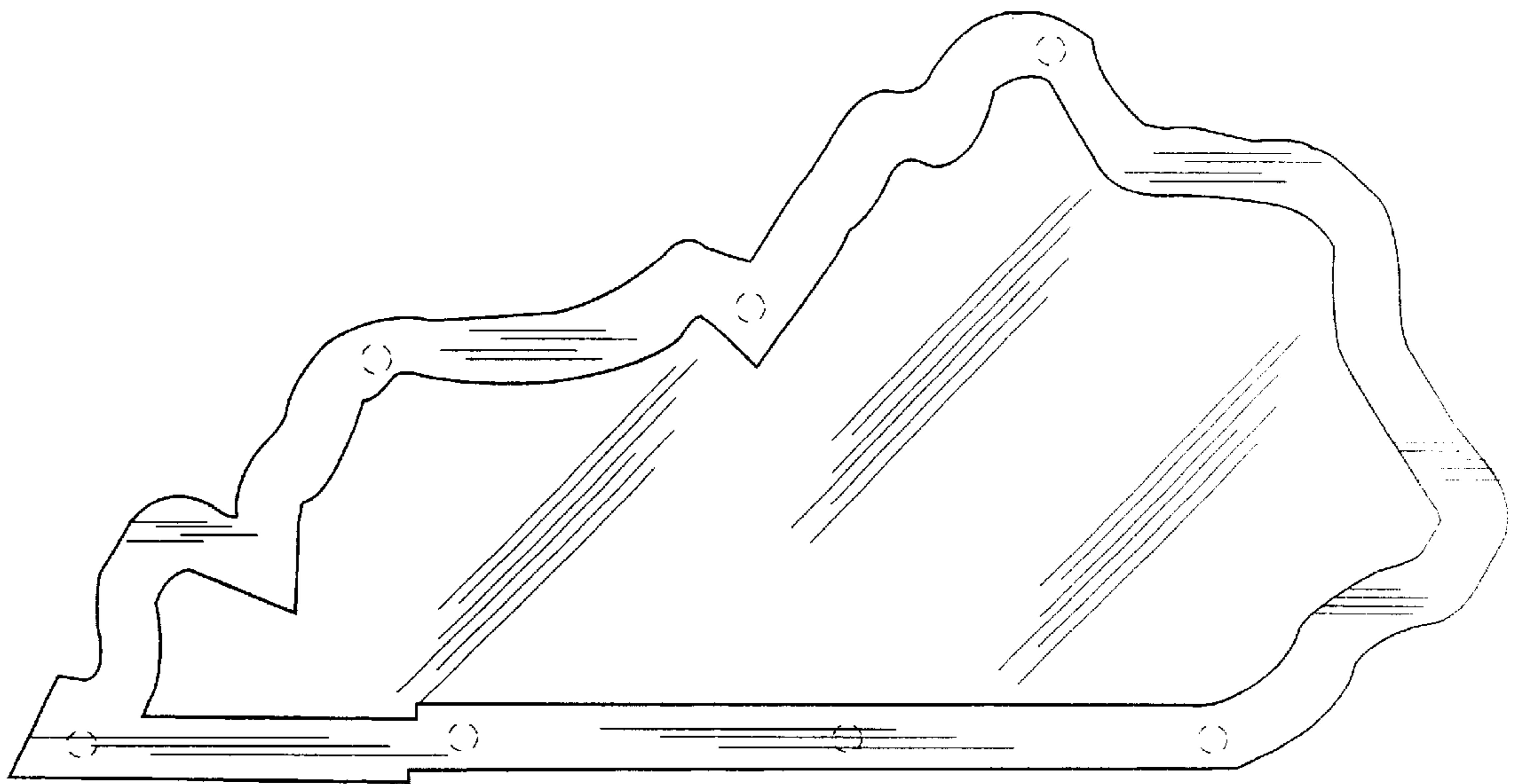


Fig. 2

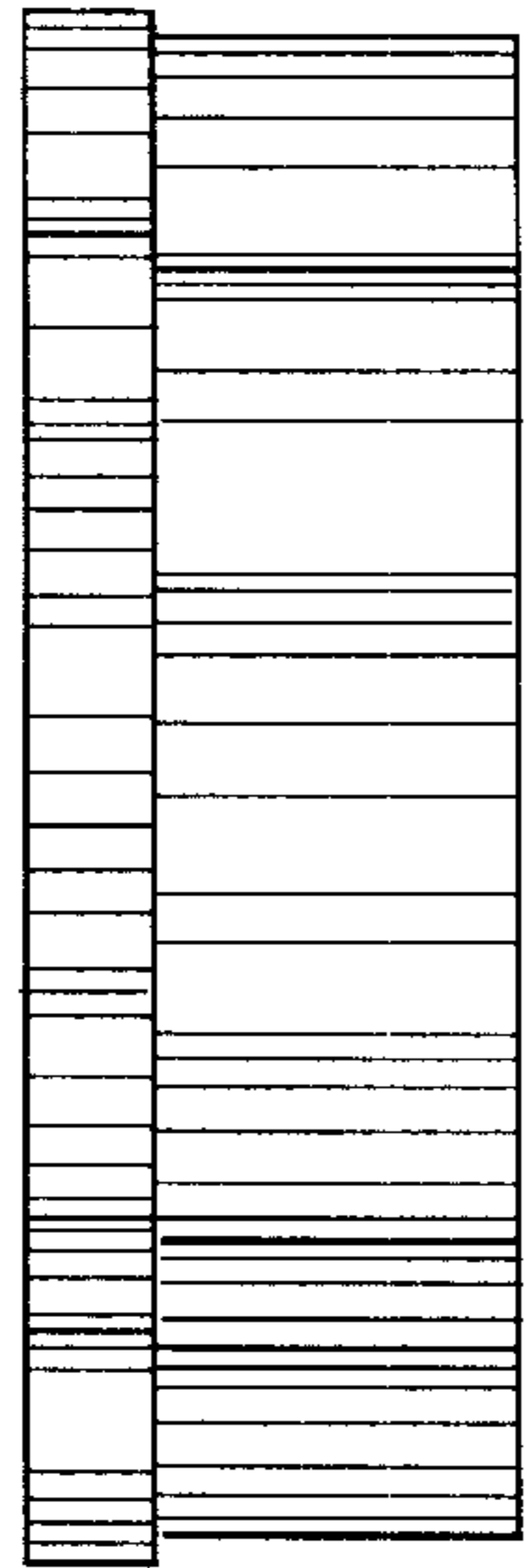


Fig. 3

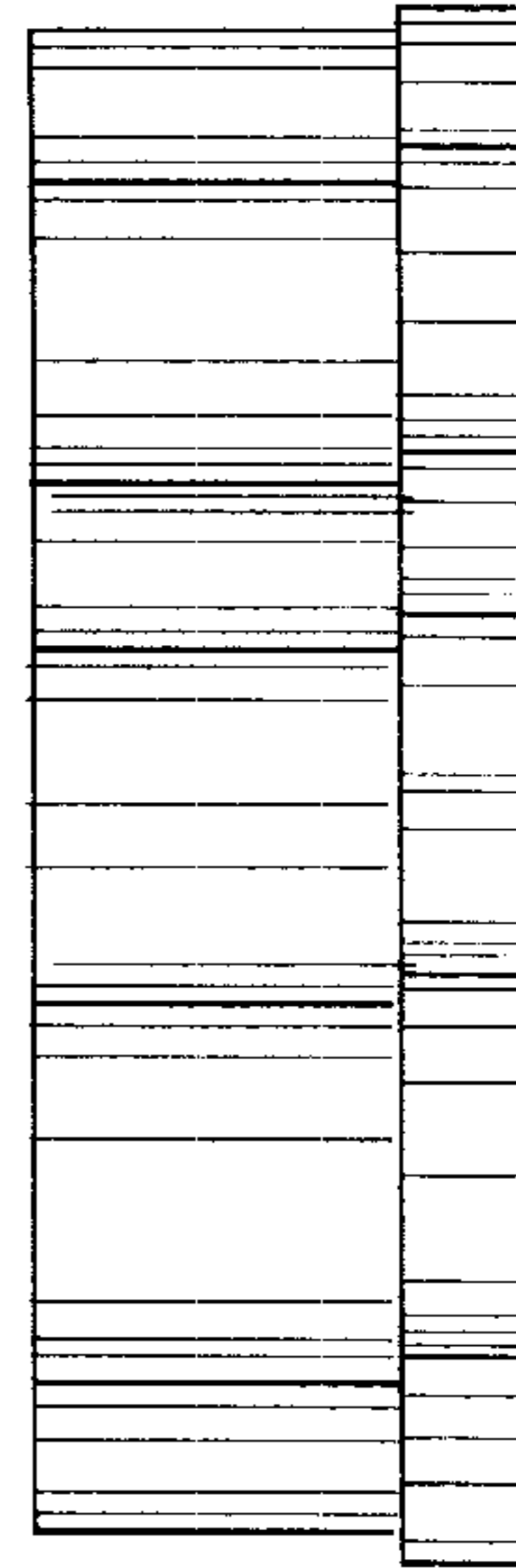


Fig. 5

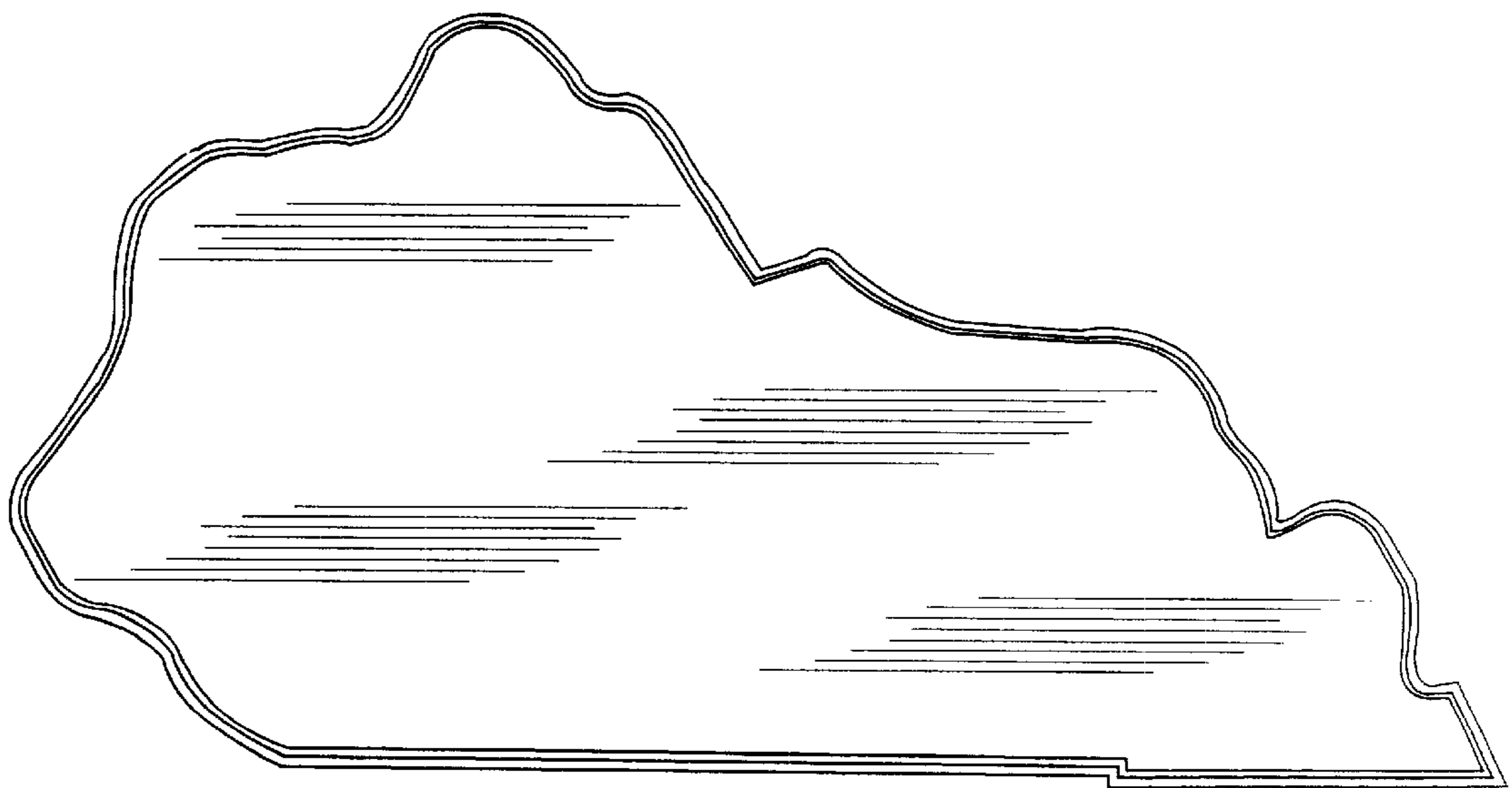


Fig. 4

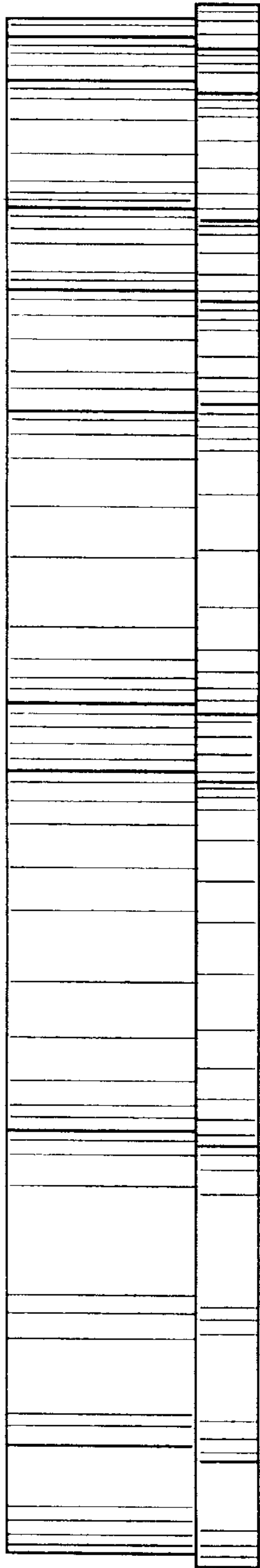


Fig. 6

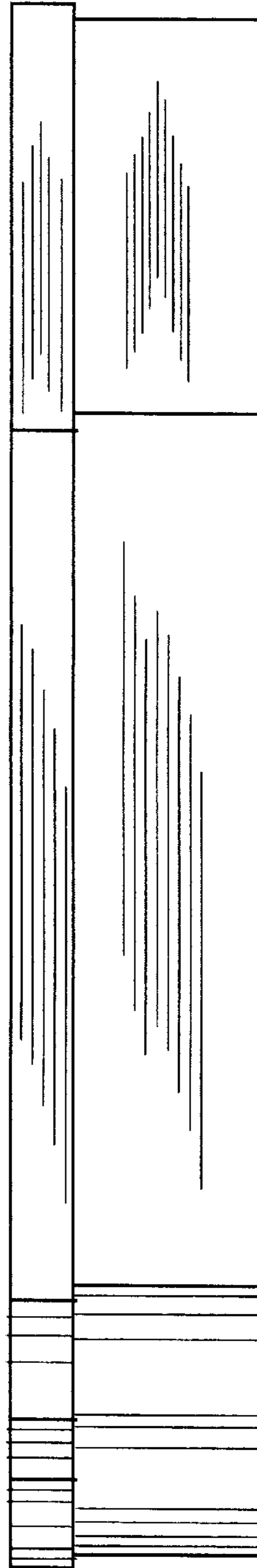


Fig. 7