



US00D482208S

(12) **United States Design Patent**
Fortin et al.

(10) **Patent No.:** **US D482,208 S**

(45) **Date of Patent:** **** Nov. 18, 2003**

(54) **PORTABLE WORKBENCH**

(75) Inventors: **Marc A. Fortin**, Brockville (CA); **John Bryan Mason**, Brockville (CA); **Mike G. Sirois**, Ottawa (CA); **Robert D. Watters**, Ottawa (CA); **Clifford D. Read**, Carp (CA); **Derek Kirkland**, Chelsea (CA)

(73) Assignee: **Black & Decker Inc.**, Newark, DE (US)

(**) Term: **14 Years**

(21) Appl. No.: **29/167,596**

(22) Filed: **Sep. 17, 2002**

(51) **LOC (7) Cl.** **06-04**

(52) **U.S. Cl.** **D6/400**

(58) **Field of Search** D6/449, 450, 400, D6/466-469, 475, 491, 492, 509, 511; 206/386, 599, 600, 278, 314, 315.9; 211/11, 85.4, 85.6, 14, 55, 72, 59.2; 248/560, 441.1, 346.02, 448, 281

(56) **References Cited**

U.S. PATENT DOCUMENTS

D210,360 S	3/1968	Gerakos	
D225,291 S	12/1972	Kastner	
4,034,684 A	7/1977	Carson et al.	
4,061,305 A	12/1977	Beekenkamp	
4,061,323 A	12/1977	Beekenkamp	
4,073,484 A	2/1978	Beekenkamp	
4,155,386 A	5/1979	Alessio	
4,252,304 A	2/1981	Pettican	
4,278,243 A	7/1981	Alessio	
D296,143 S	6/1988	Bettess	
D320,034 S	* 9/1991	Brooks et al. D17/9
D333,390 S	2/1993	McCauley	
5,417,168 A	5/1995	Soper	
D375,639 S	* 11/1996	House et al. D6/449
5,603,491 A	2/1997	Murrell	

D386,624 S	* 11/1997	Meisner et al. D6/400
D403,903 S	* 1/1999	Calmeise D6/511
5,931,488 A	8/1999	Graziano et al.	
D414,966 S	* 10/1999	Patel et al. D6/511
6,019,050 A	2/2000	Ranta	
D435,367 S	12/2000	Tzeng	
D436,268 S	1/2001	Ko	
D448,200 S	9/2001	Sagol	
6,286,824 B1	9/2001	Sagol	
D449,470 S	10/2001	Morrow	

* cited by examiner

Primary Examiner—Cathron C. Brooks

(74) *Attorney, Agent, or Firm*—Harness, Dickey & Pierce, P.L.C.

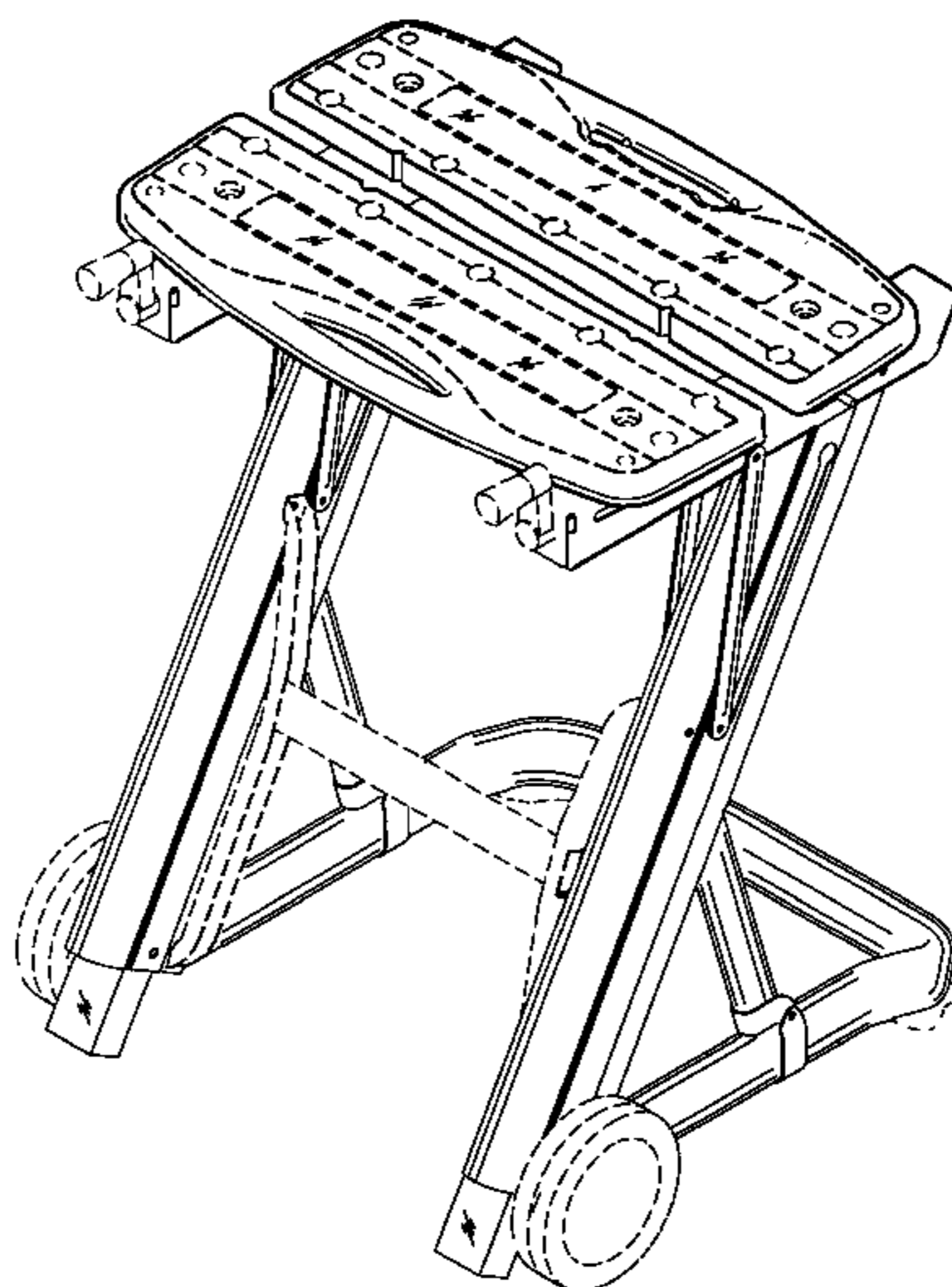
(57) **CLAIM**

The ornamental design for a portable workbench, as shown and described.

DESCRIPTION

FIG. 1 is a perspective view of a portable workbench in an expanded position in accordance with the present design; FIG. 2 is a front elevational view of the first embodiment of the portable workbench in an expanded position; FIG. 3 is a right side elevational view of the first embodiment of the portable workbench in an expanded position, the left side elevational view being a mirror image thereof; FIG. 4 is a rear elevational view of the first embodiment of the portable workbench in an expanded position; FIG. 5 is a top plan view of the first embodiment of the portable workbench in an expanded position; and, FIG. 6 is a right side elevational view of the first embodiment of the portable workbench in a collapsed position, the left side elevational view being a mirror image thereof. It is to be understood that those portions of the portable workbench shown in broken line in the accompanying figures do not constitute an integral part of the claimed design and, therefore, are disclaimed as part of the claimed design.

1 Claim, 6 Drawing Sheets



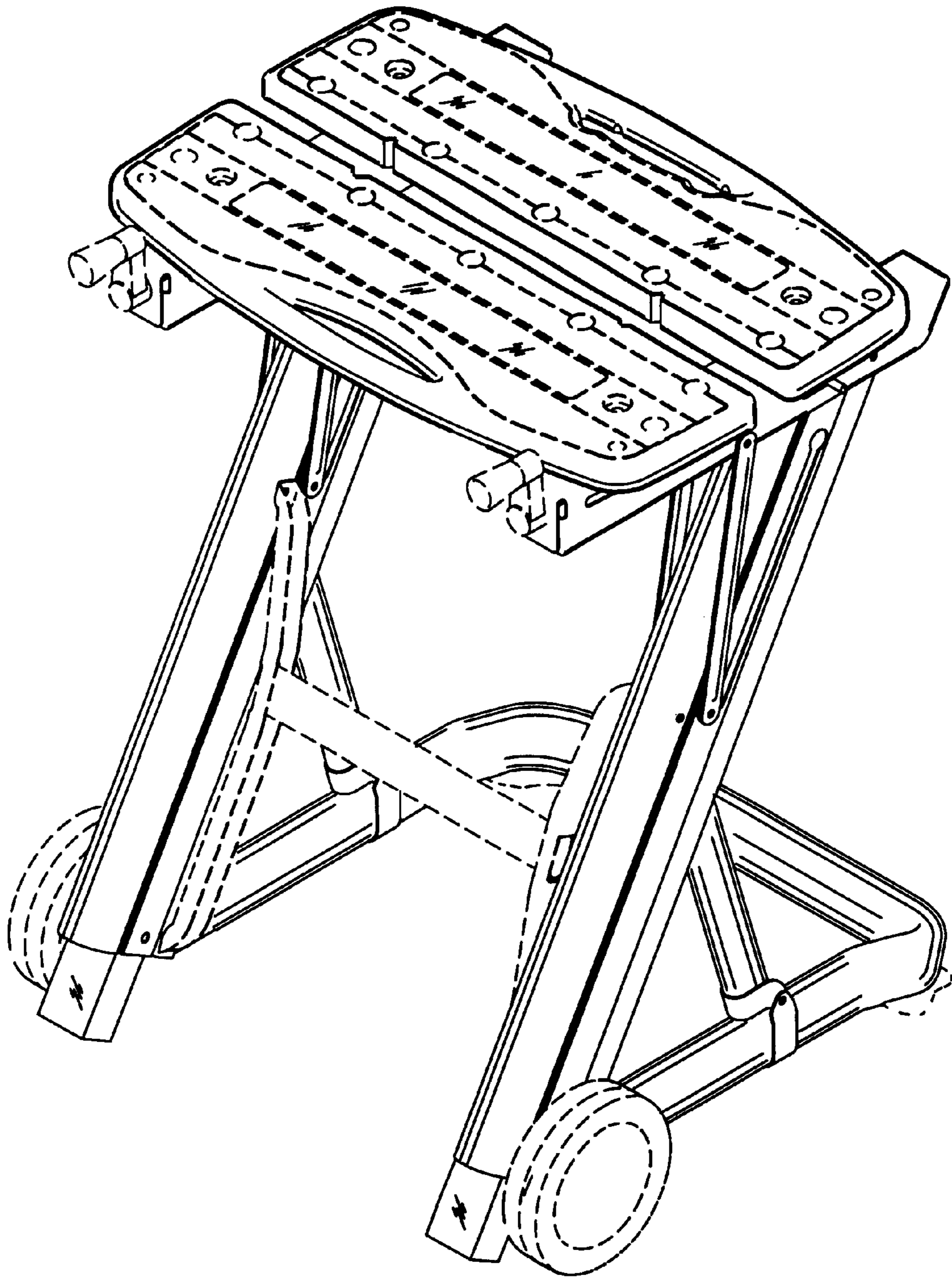


Figure 1

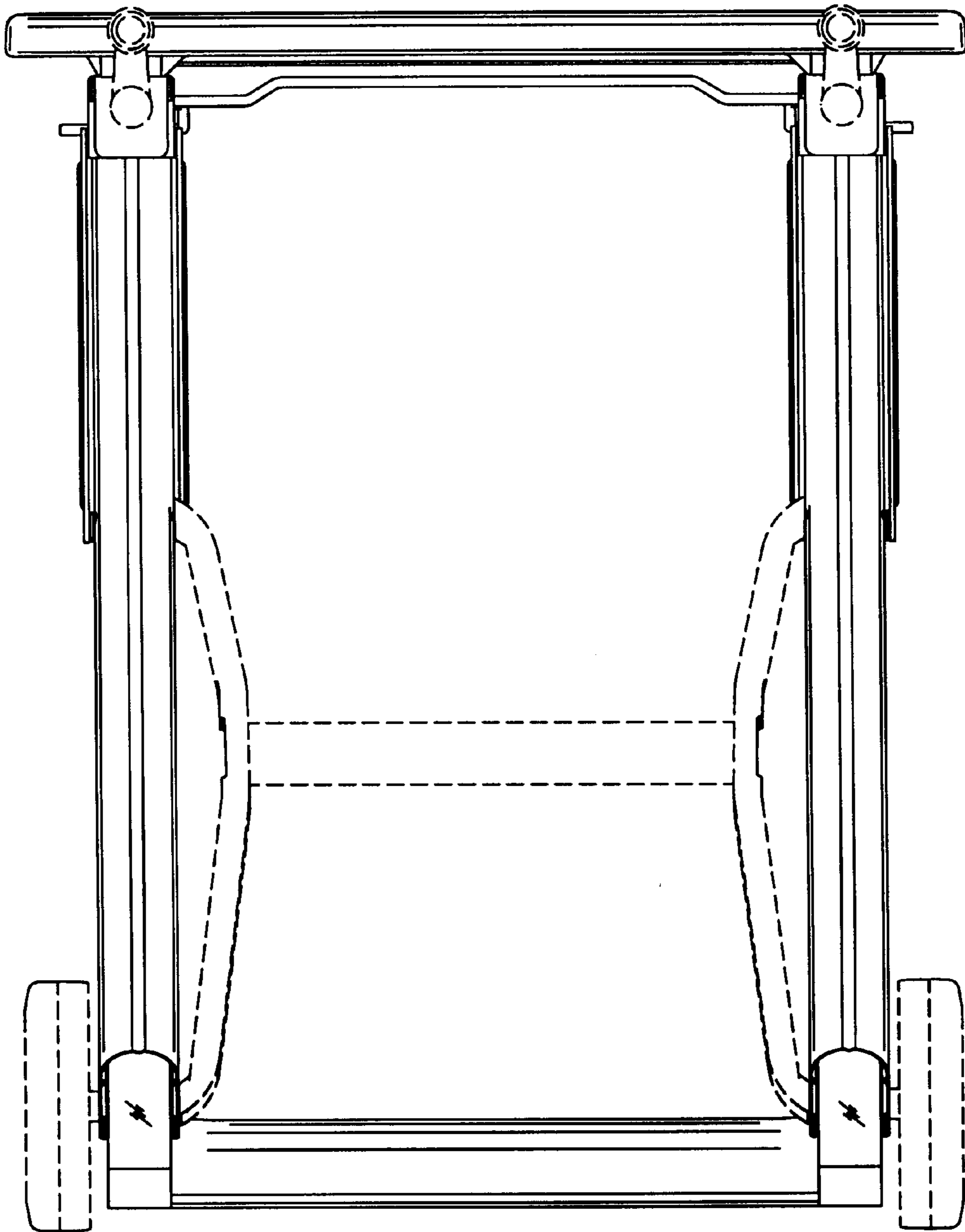


Figure 2

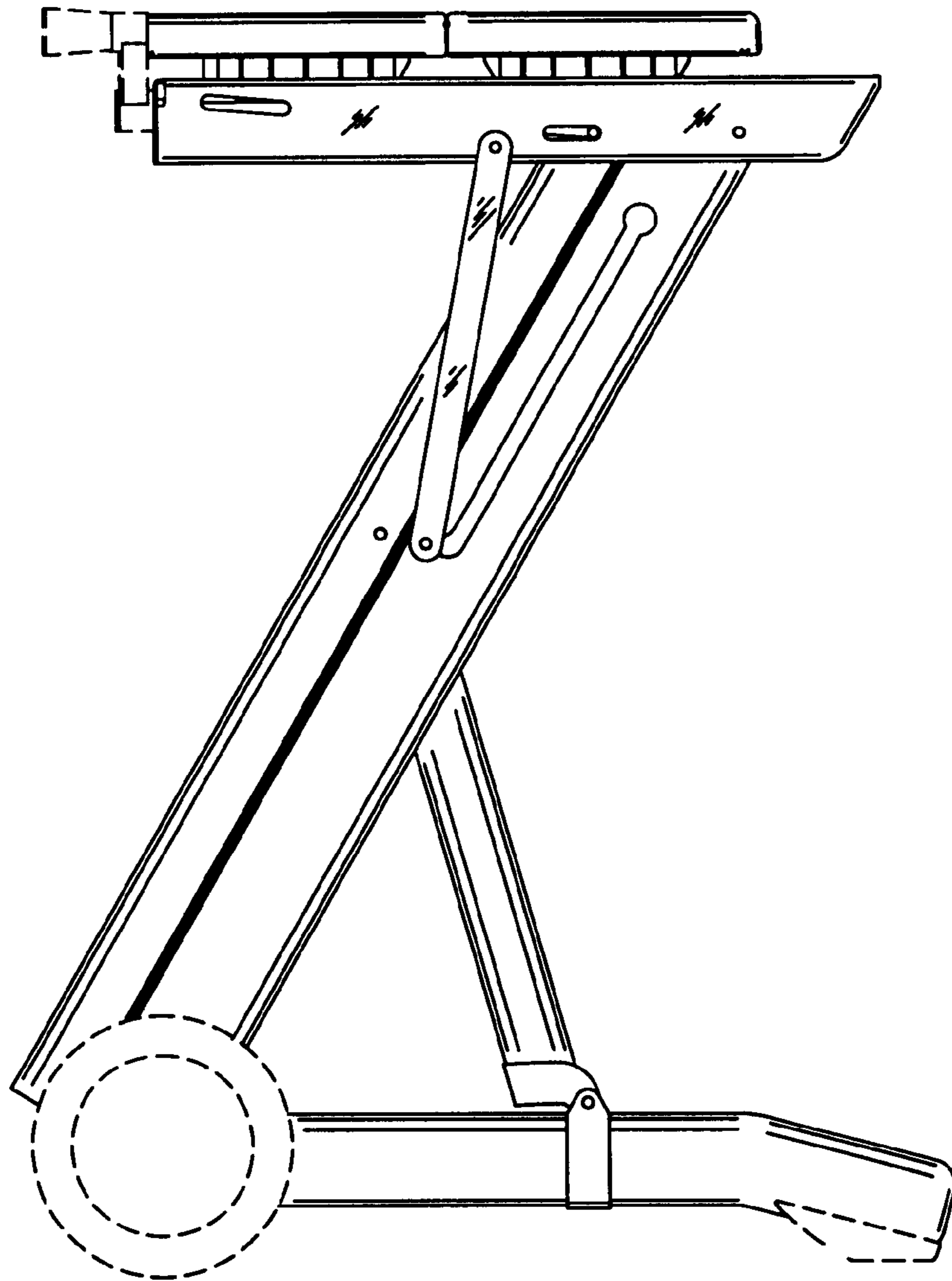


Figure 3

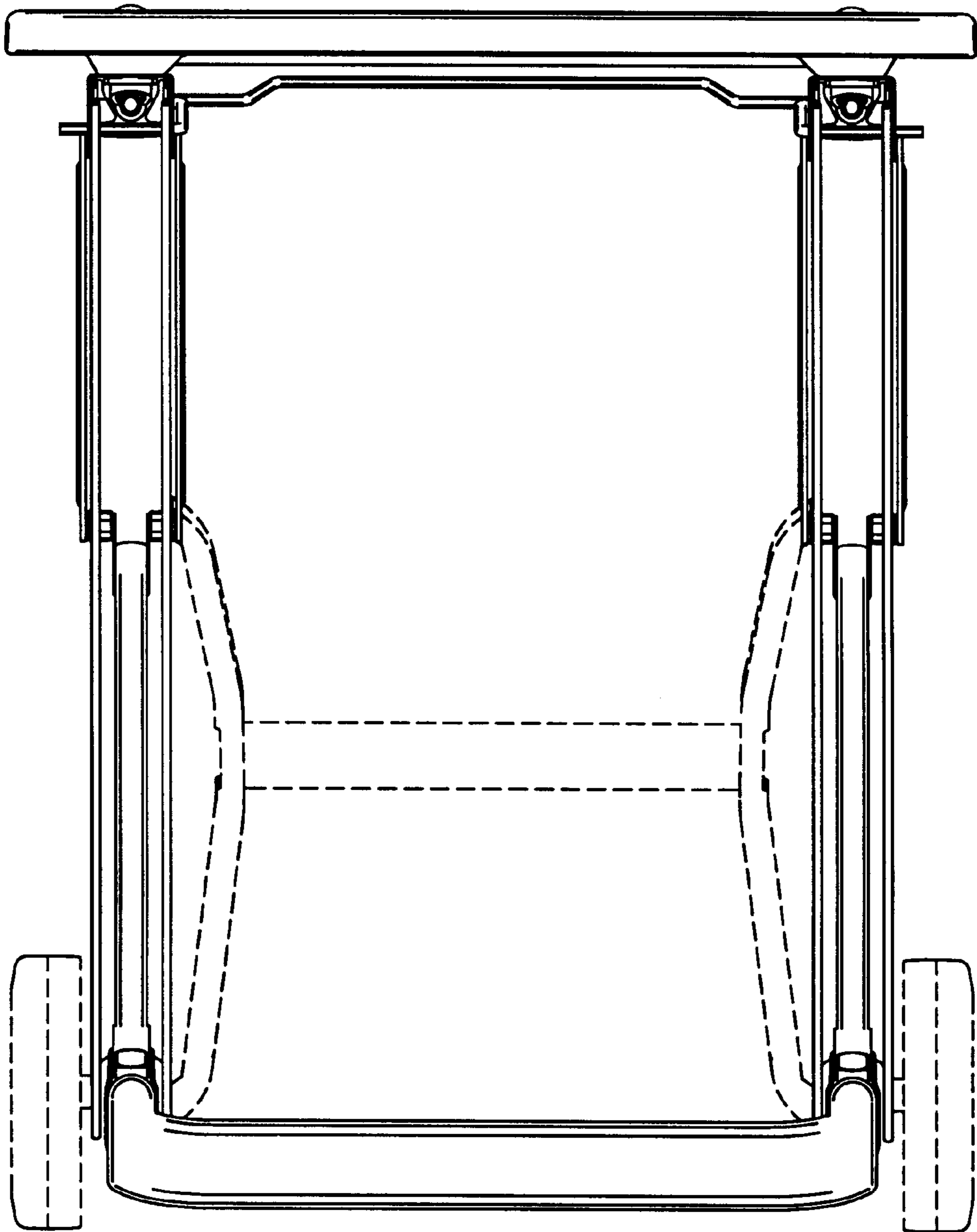


Figure 4

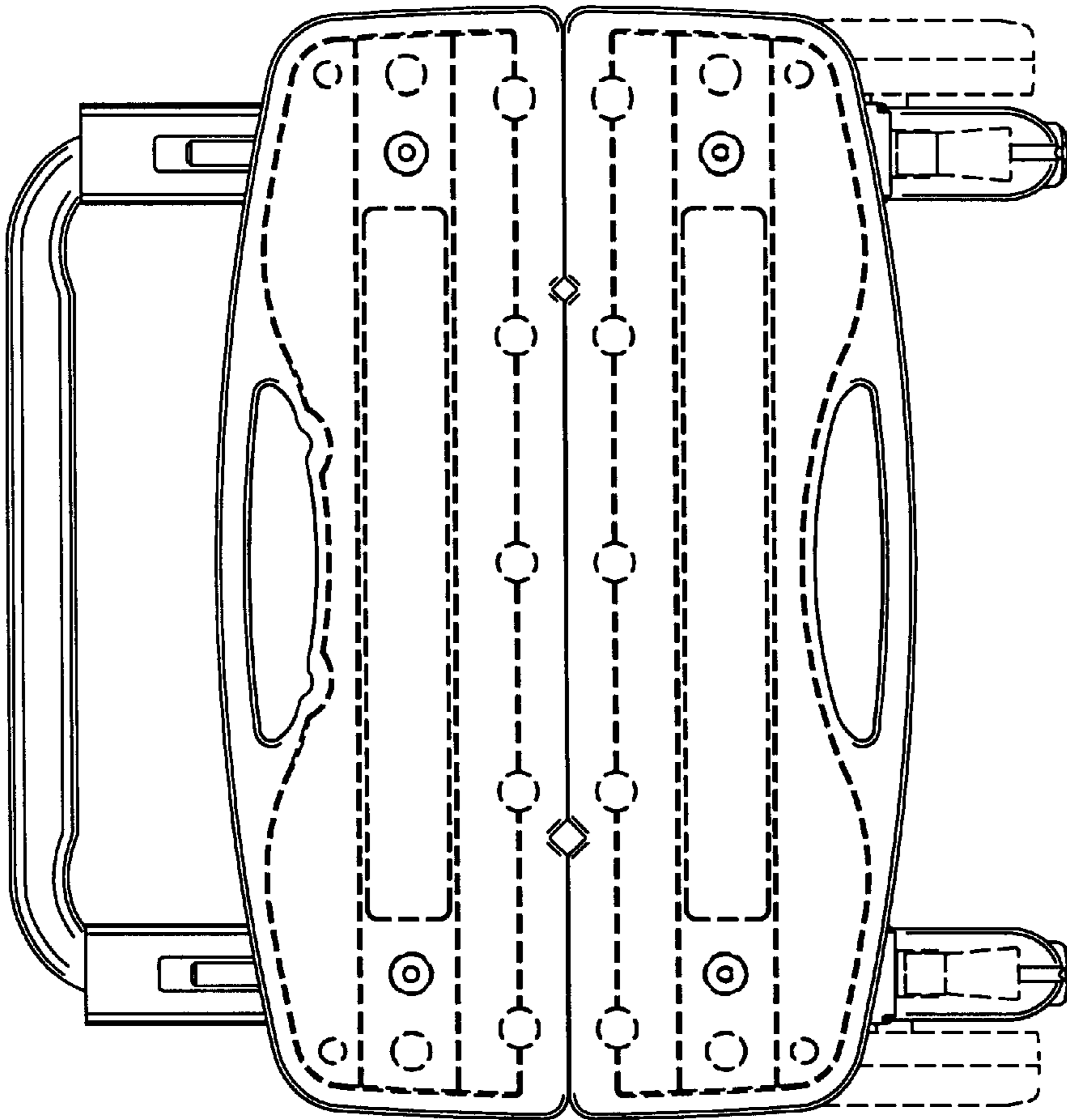


Figure 5

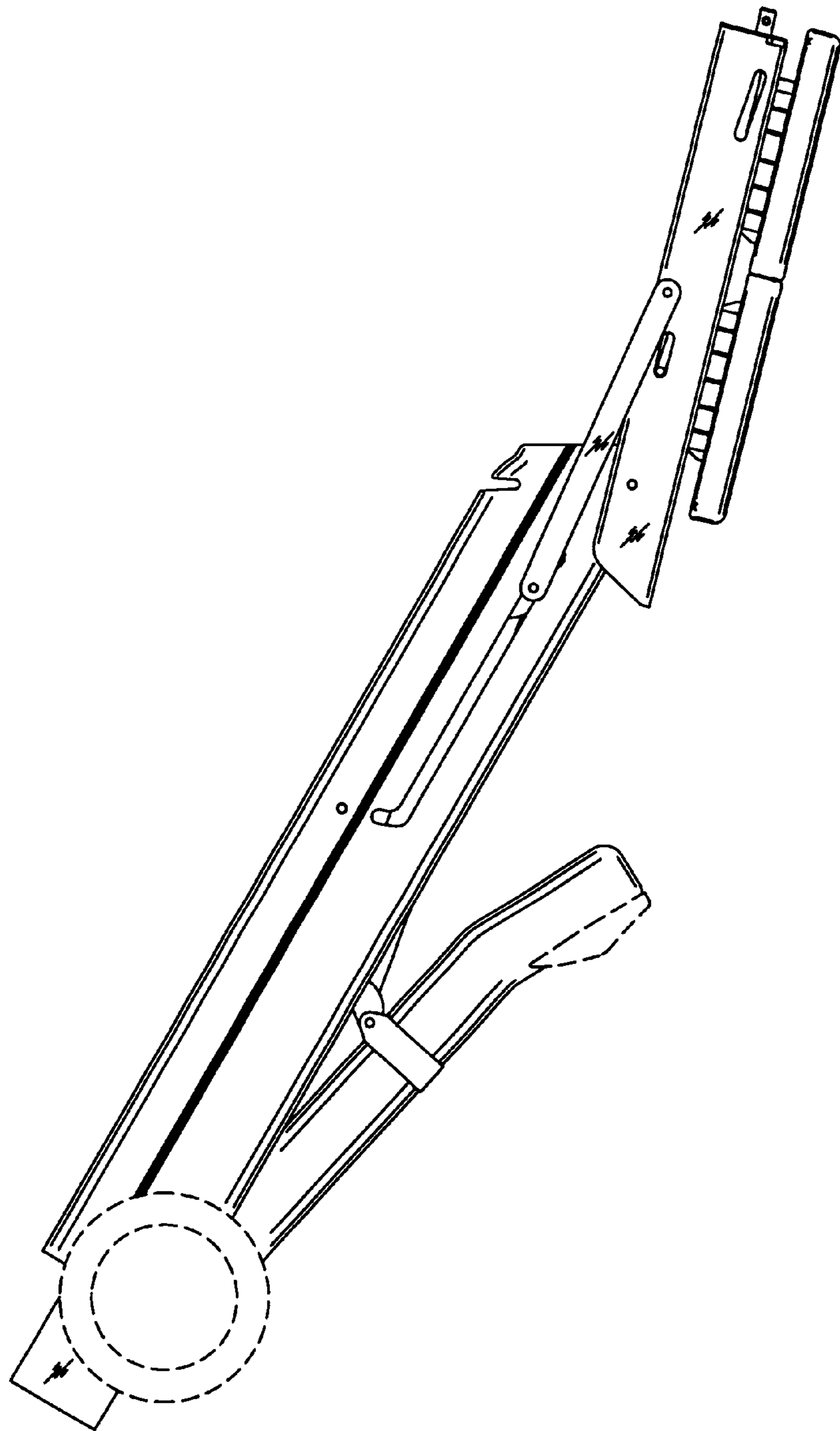


Figure 6

UNITED STATES PATENT AND TRADEMARK OFFICE
CERTIFICATE OF CORRECTION

PATENT NO. : Des. 482,208 S
DATED : November 18, 2003
INVENTOR(S) : Marc A. Fortin et al.

Page 1 of 1

It is certified that error appears in the above-identified patent and that said Letters Patent is hereby corrected as shown below:

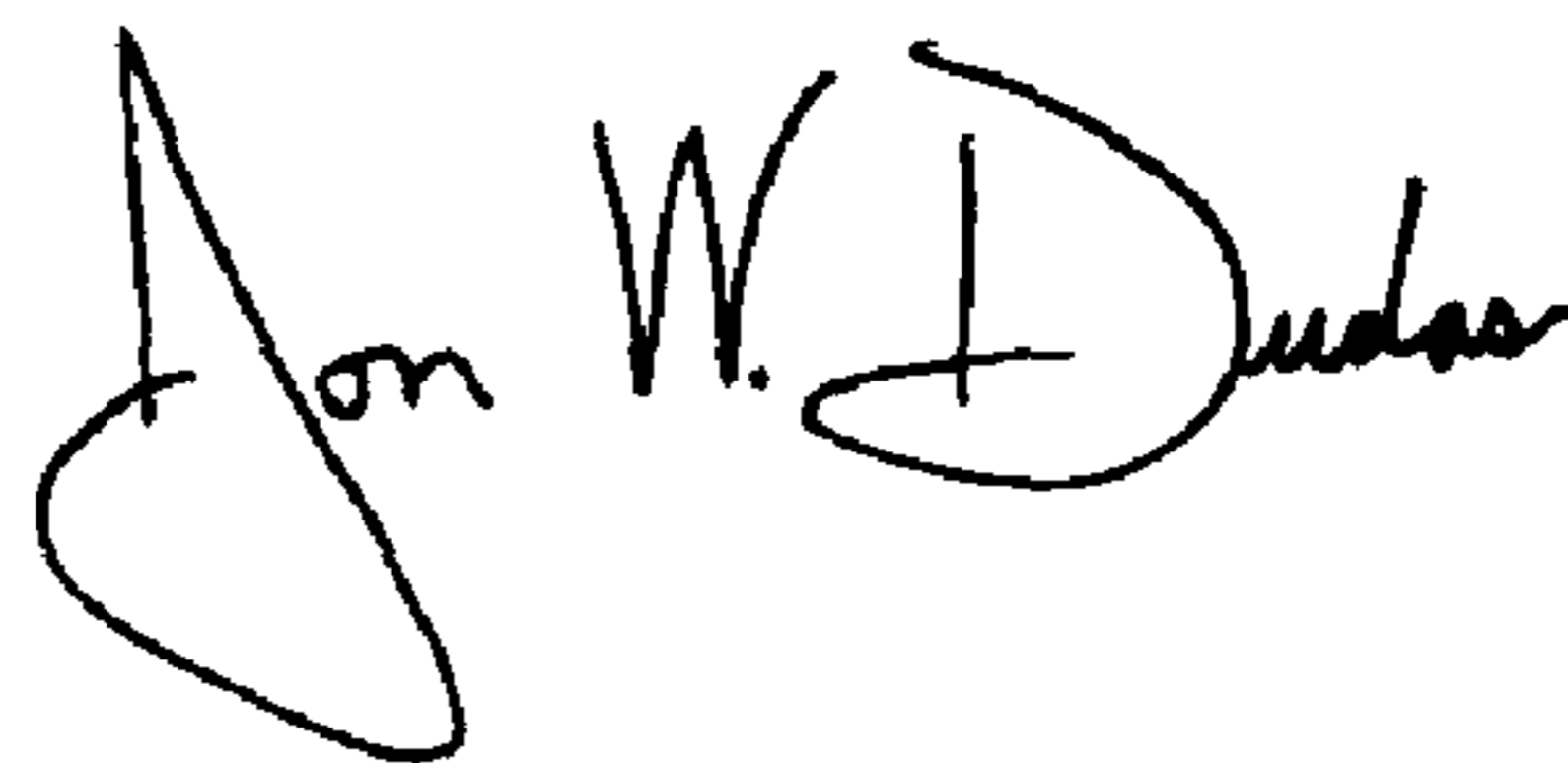
Title page,

Item [56], **References Cited**, insert the following:

-- FOREIGN PATENT DOCUMENTS
WO WO 00/53375 3/2000 --

Signed and Sealed this

Ninth Day of March, 2004

A handwritten signature in black ink that reads "Jon W. Dudas". The signature is written in a cursive style with a large, looped initial "J".

JON W. DUDAS
Acting Director of the United States Patent and Trademark Office