



US00D482205S

(12) **United States Design Patent**
Englich et al.

(10) **Patent No.:** **US D482,205 S**

(45) **Date of Patent:** **** Nov. 18, 2003**

(54) **CHAIR**

(75) Inventors: **Michael Englich**, Blender (DE); **Jörn Hübener**, Hannover (DE); **Torsten Wittenberg**, Hannover (DE)

(73) Assignee: **Wilkhahn Wilkening & Hahne GmbH & Co.**, Hanover (DE)

(**) Term: **14 Years**

(21) Appl. No.: **29/167,900**

(22) Filed: **Sep. 23, 2002**

(51) **LOC (7) Cl.** **06-01**

(52) **U.S. Cl.** **D6/366**

(58) **Field of Search** D6/334, 364, 365,
D6/366, 367, 500, 501, 502; 297/411.2,
411.27

(56) **References Cited**

U.S. PATENT DOCUMENTS

D227,829 S	*	7/1973	Klose	D6/366
D227,830 S	*	7/1973	Klose	D6/366
D327,585 S	*	7/1992	Hollington	D6/366
D435,976 S	*	1/2001	Deacon	D6/366
D439,449 S	*	3/2001	Klinkhammer	D6/500
D443,991 S	*	6/2001	Picotti	D6/366
D445,581 S	*	7/2001	Su	D6/366
D451,294 S	*	12/2001	Simons, Jr. et al.	D6/366
D454,450 S	*	3/2002	Chu	D6/500
D458,466 S	*	6/2002	McCairley	D6/365

* cited by examiner

Primary Examiner—Gary D. Watson

(74) *Attorney, Agent, or Firm*—John K. McCulloch

(57) **CLAIM**

The ornamental design for a chair, as shown and described.

DESCRIPTION

FIG. 1 is a front elevational view of a first embodiment of the design;
 FIG. 2 is a rear elevational view of the design;
 FIG. 3 is an elevational view of one side of the design;
 FIG. 4 is an elevational view of the opposite side of the design;
 FIG. 5 is a top plan view of the design;
 FIG. 6 is a bottom plan view of the design;
 FIG. 7 is an isometric view of the design;
 FIG. 8 is another isometric view of the design;
 FIG. 9 is a front elevational view of a modified embodiment of the design;
 FIG. 10 is a rear elevational view of the modified embodiment;
 FIG. 11 is an elevational view of one side of the modified embodiment;
 FIG. 12 is an elevational view of the opposite side of the modified embodiment;
 FIG. 13 is a top plan view of the modified embodiment;
 FIG. 14 is a bottom plan view of the modified embodiment;
 FIG. 15 is an isometric view of the modified embodiment;
 and,
 FIG. 16 is another isometric view of the modified embodiment.

1 Claim, 16 Drawing Sheets

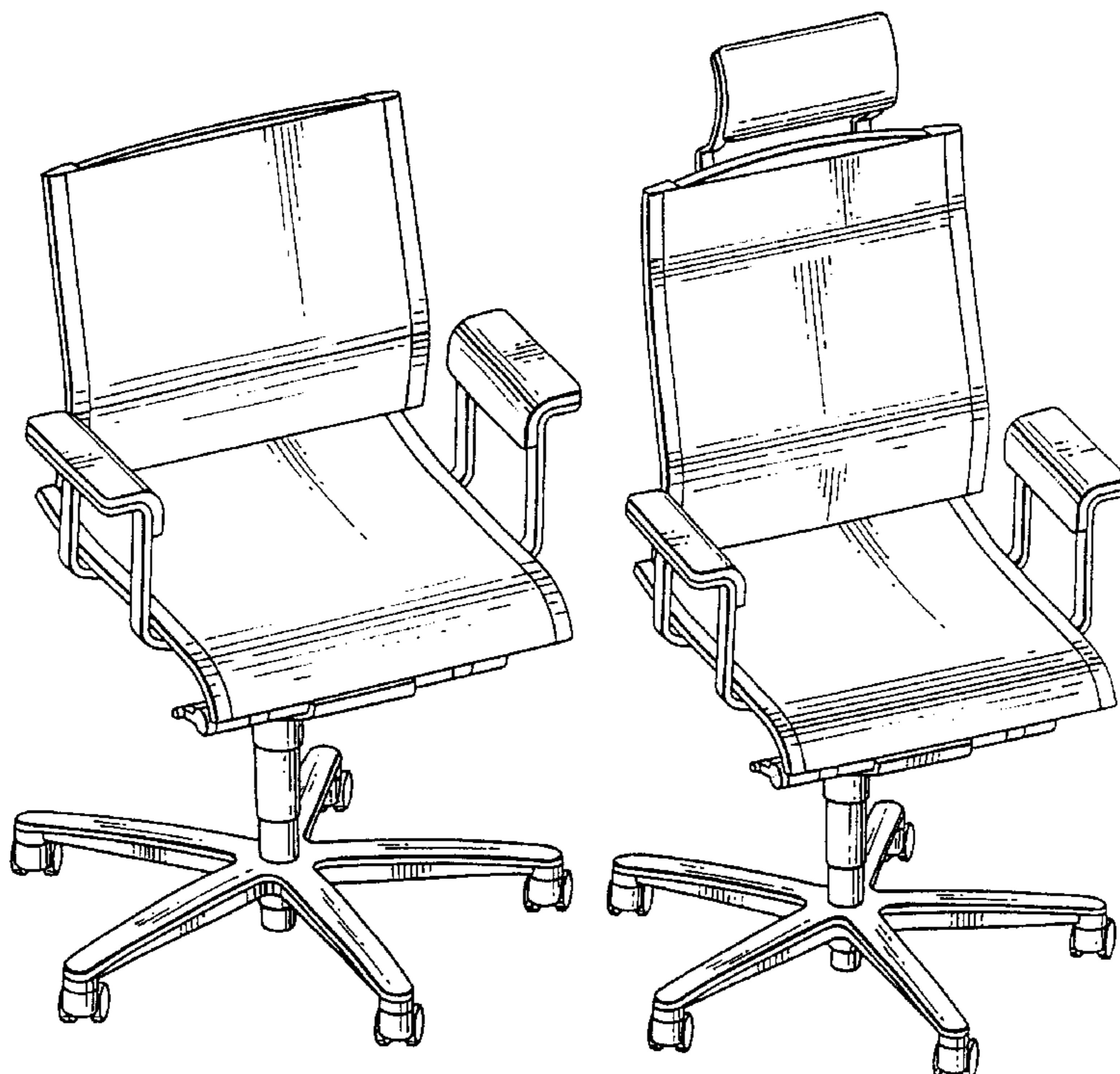


FIG. 1

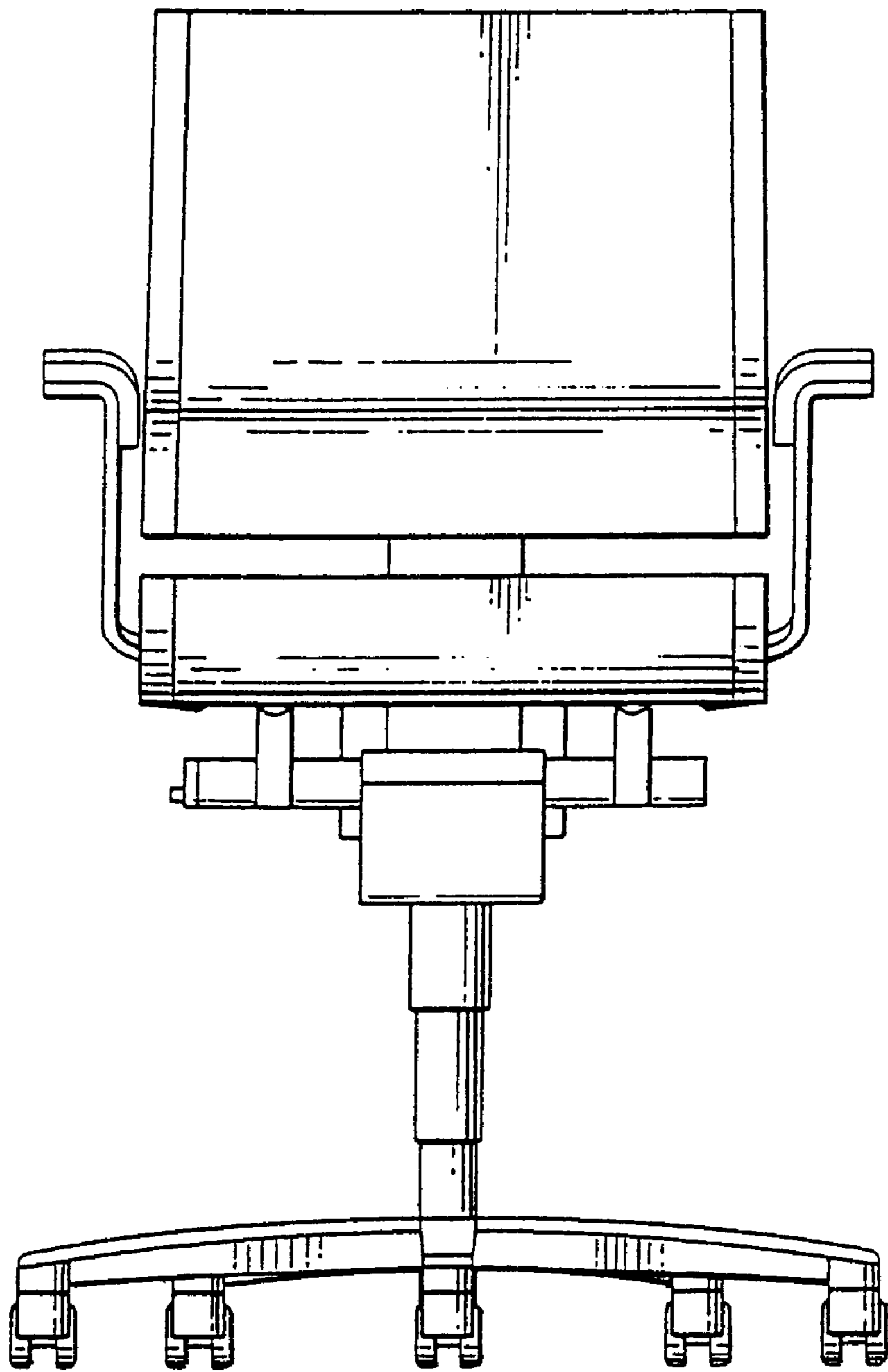


FIG. 2

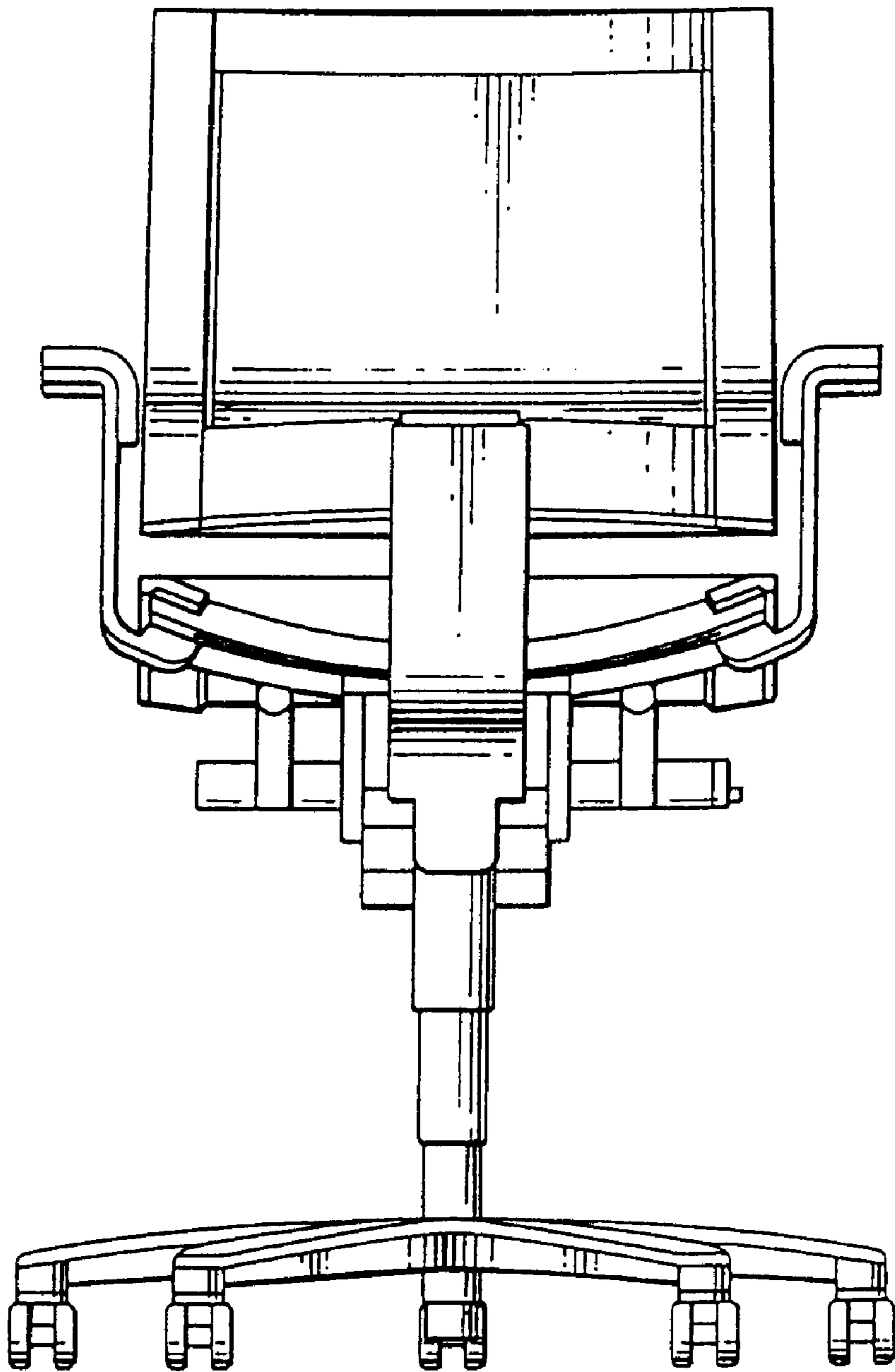


FIG. 3

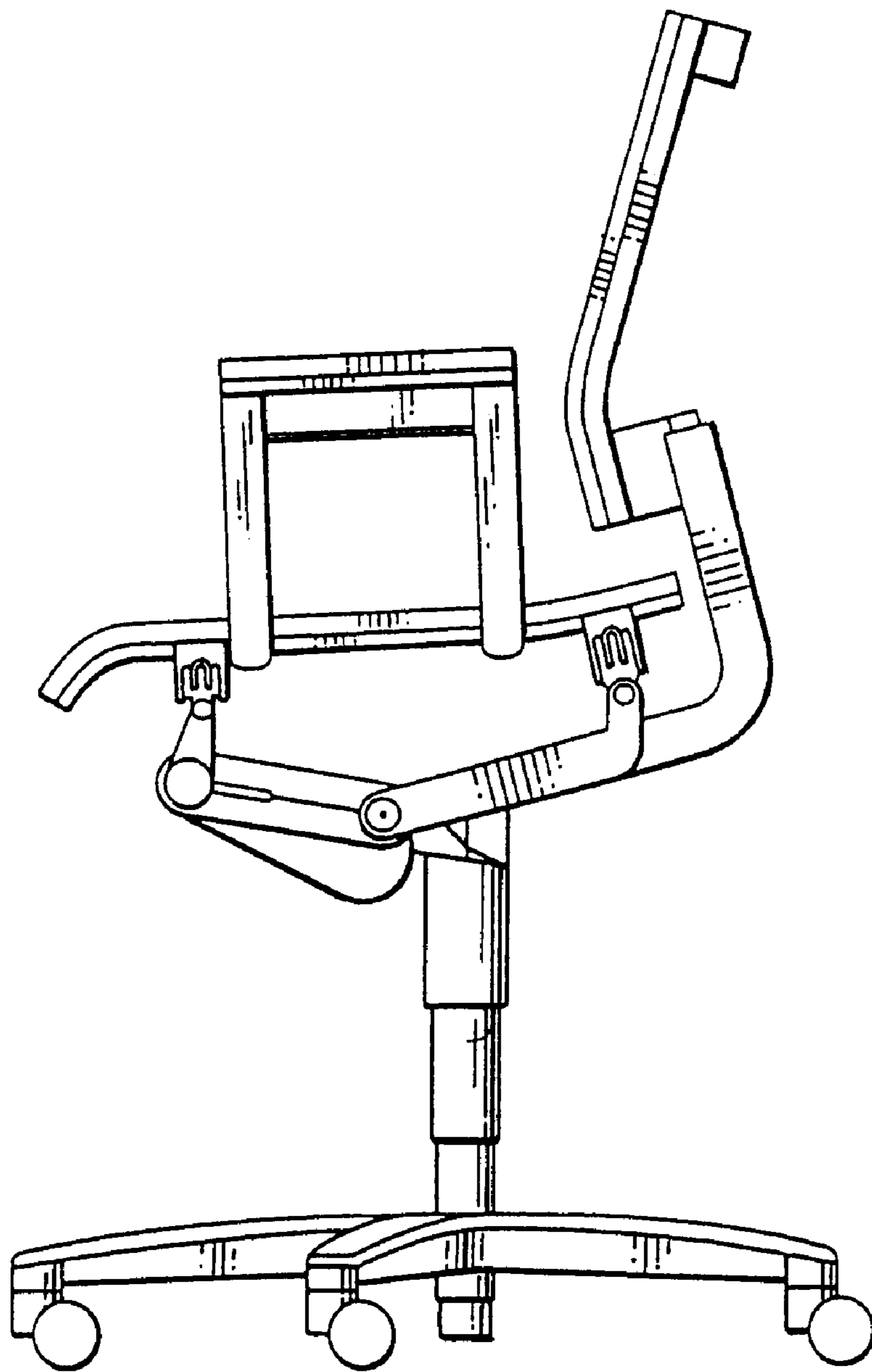


FIG. 4

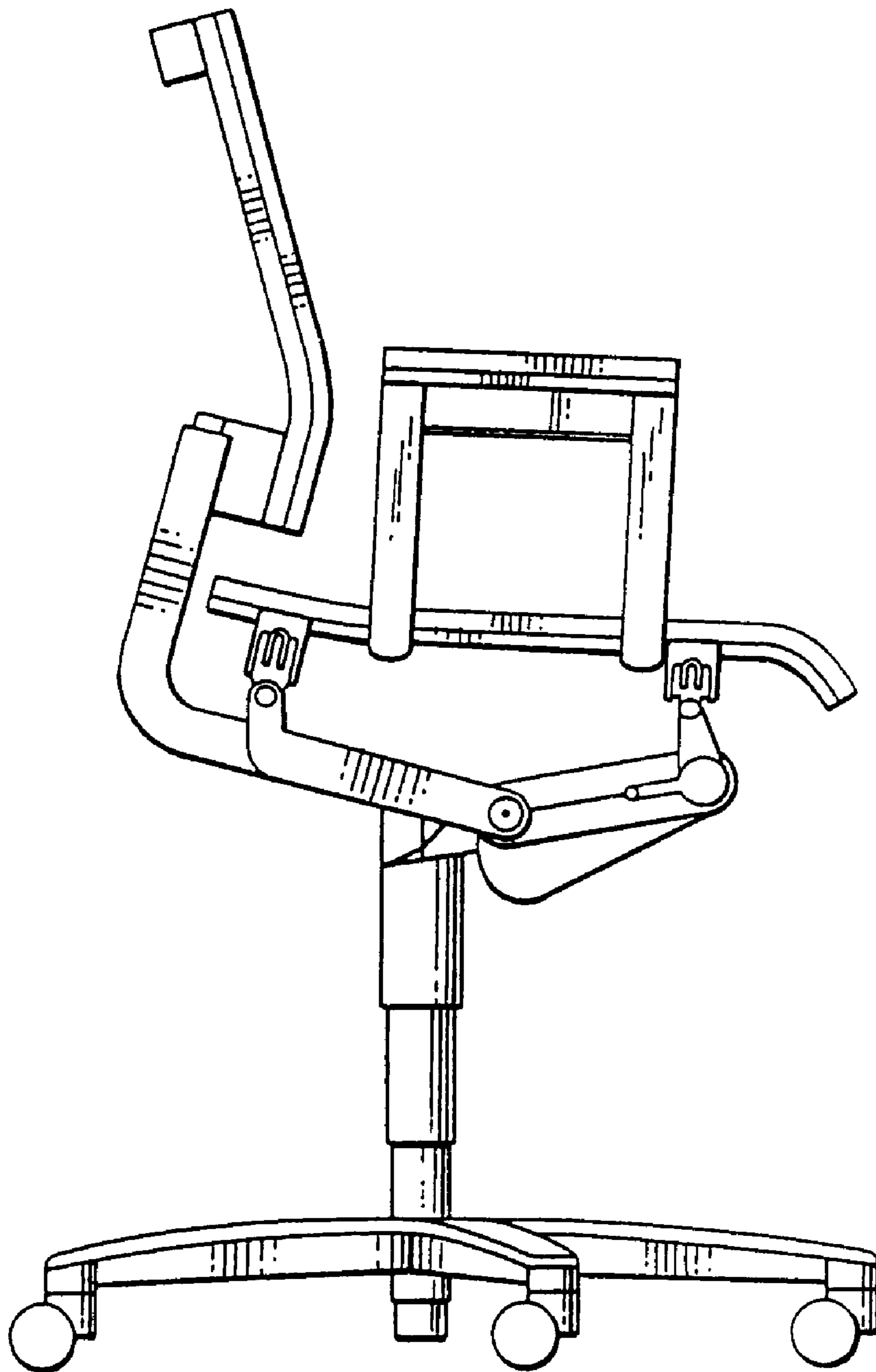


FIG. 5

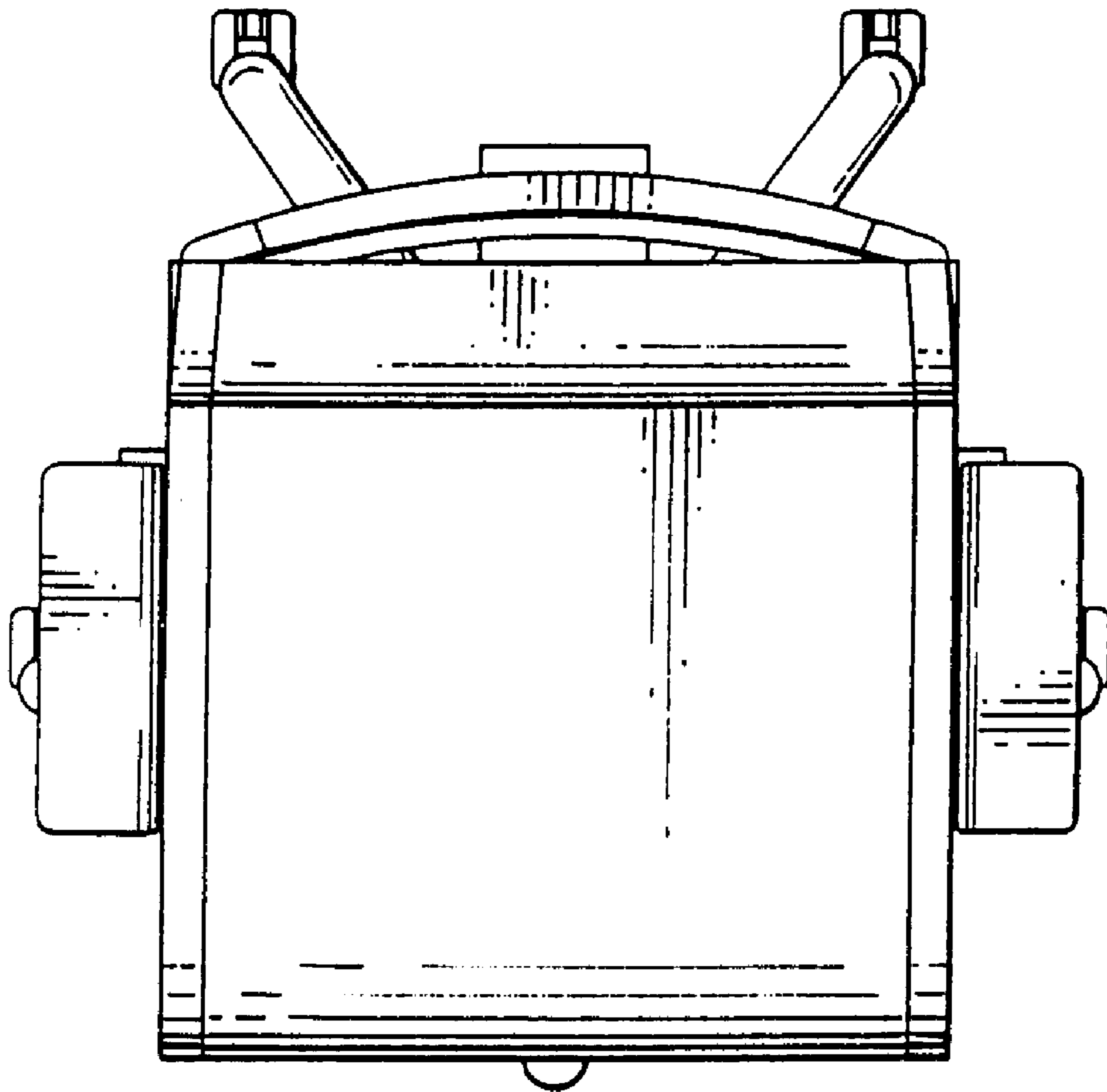


FIG. 6

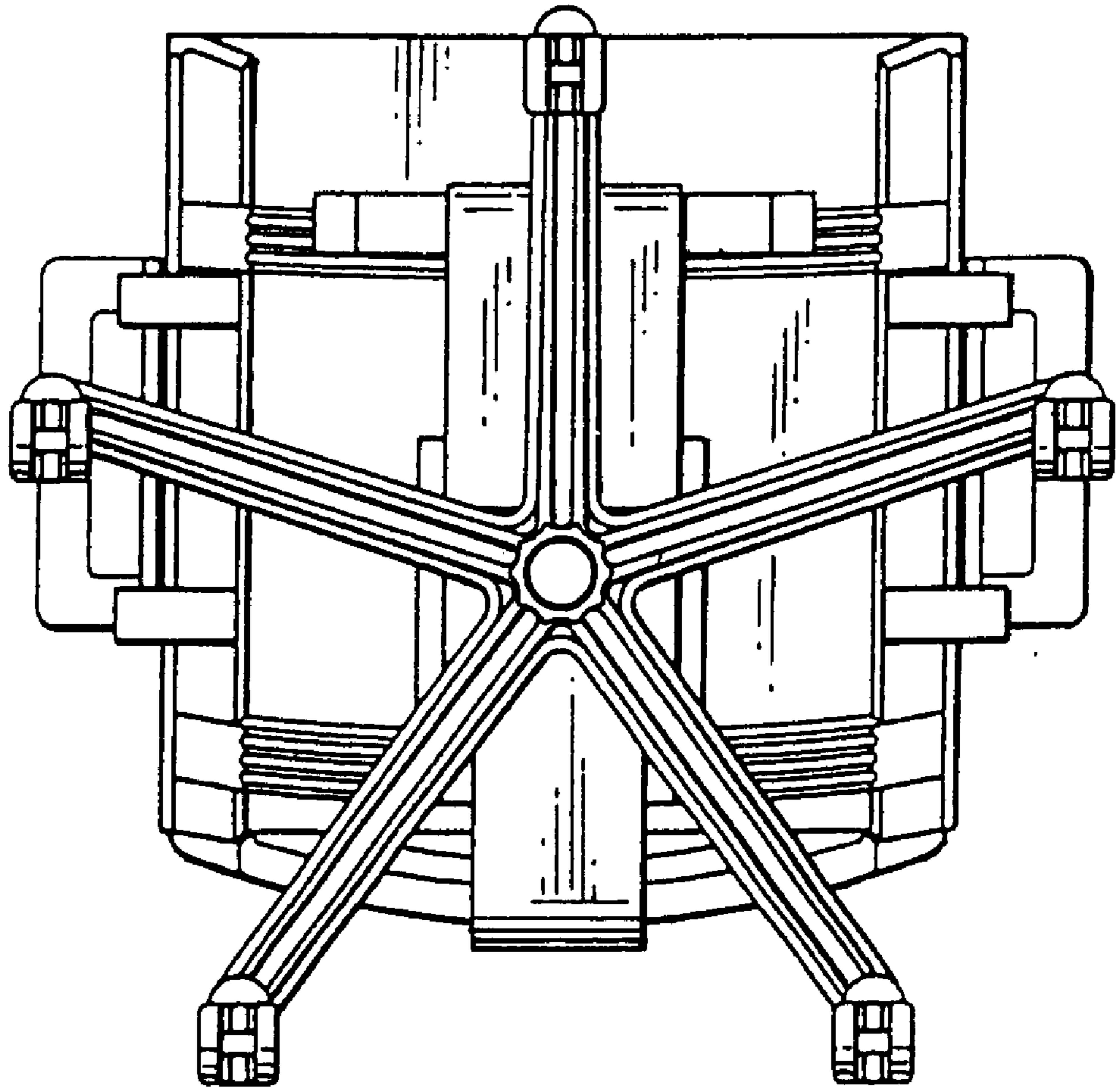


FIG. 7

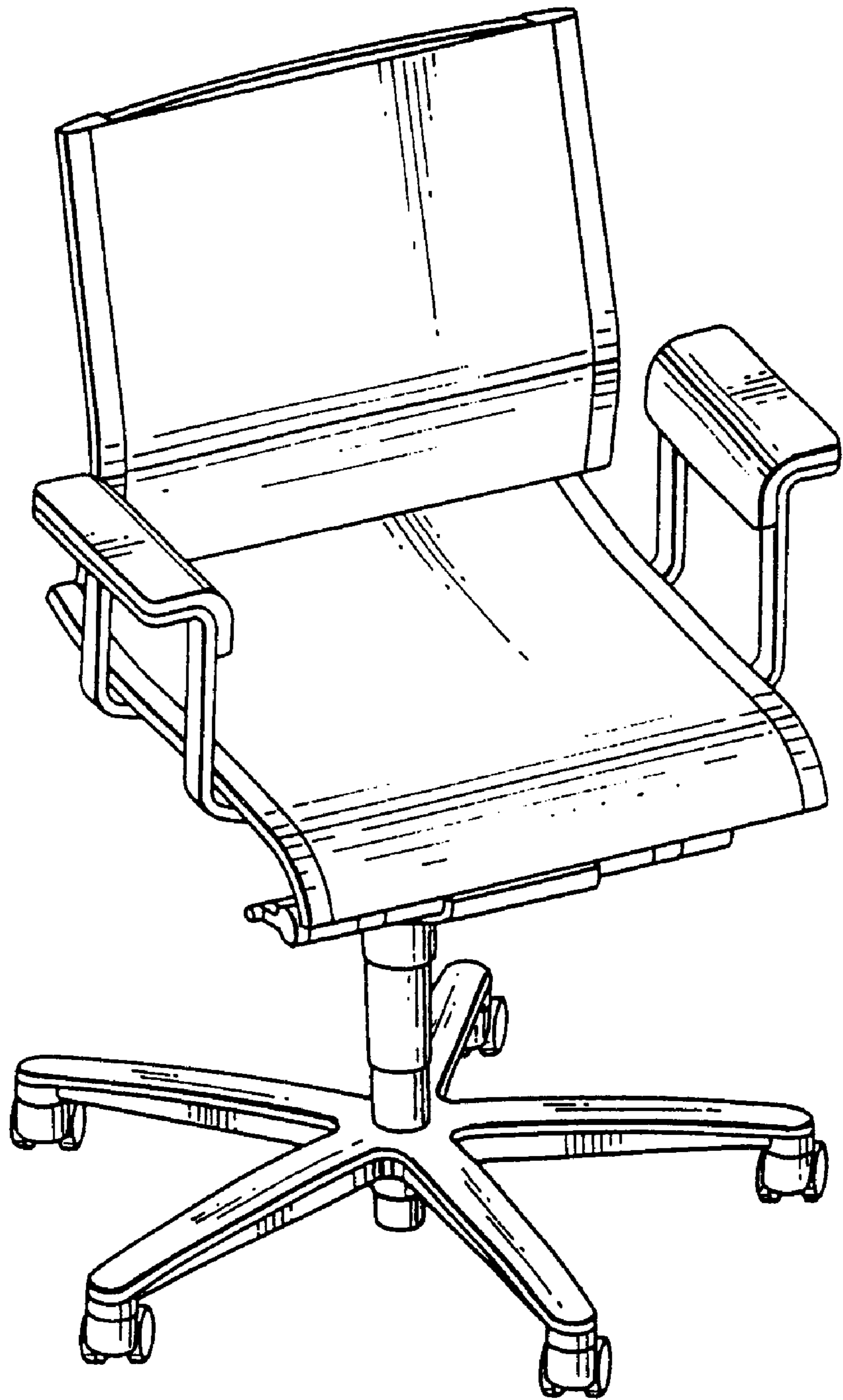


FIG. 8

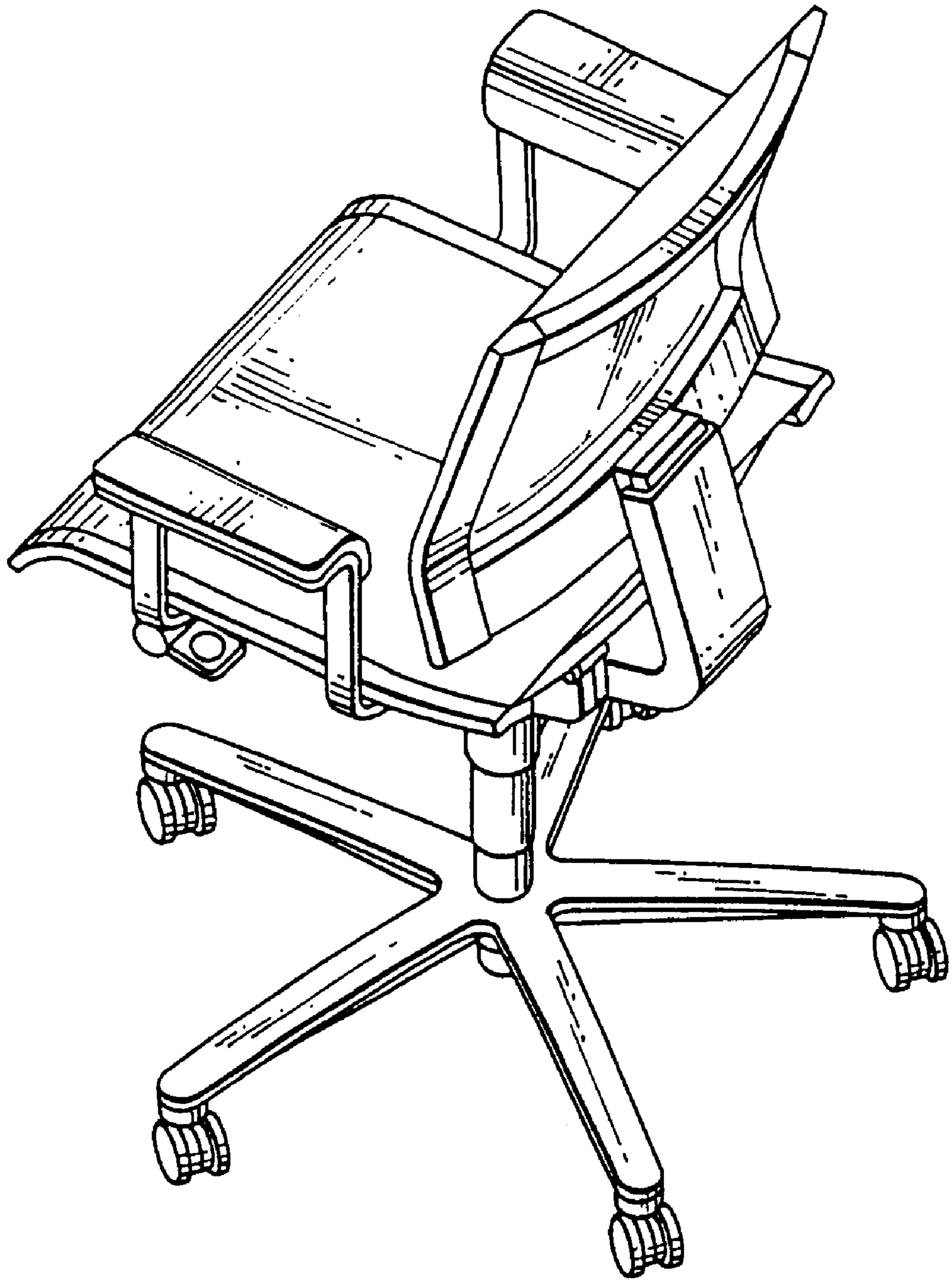


FIG. 9

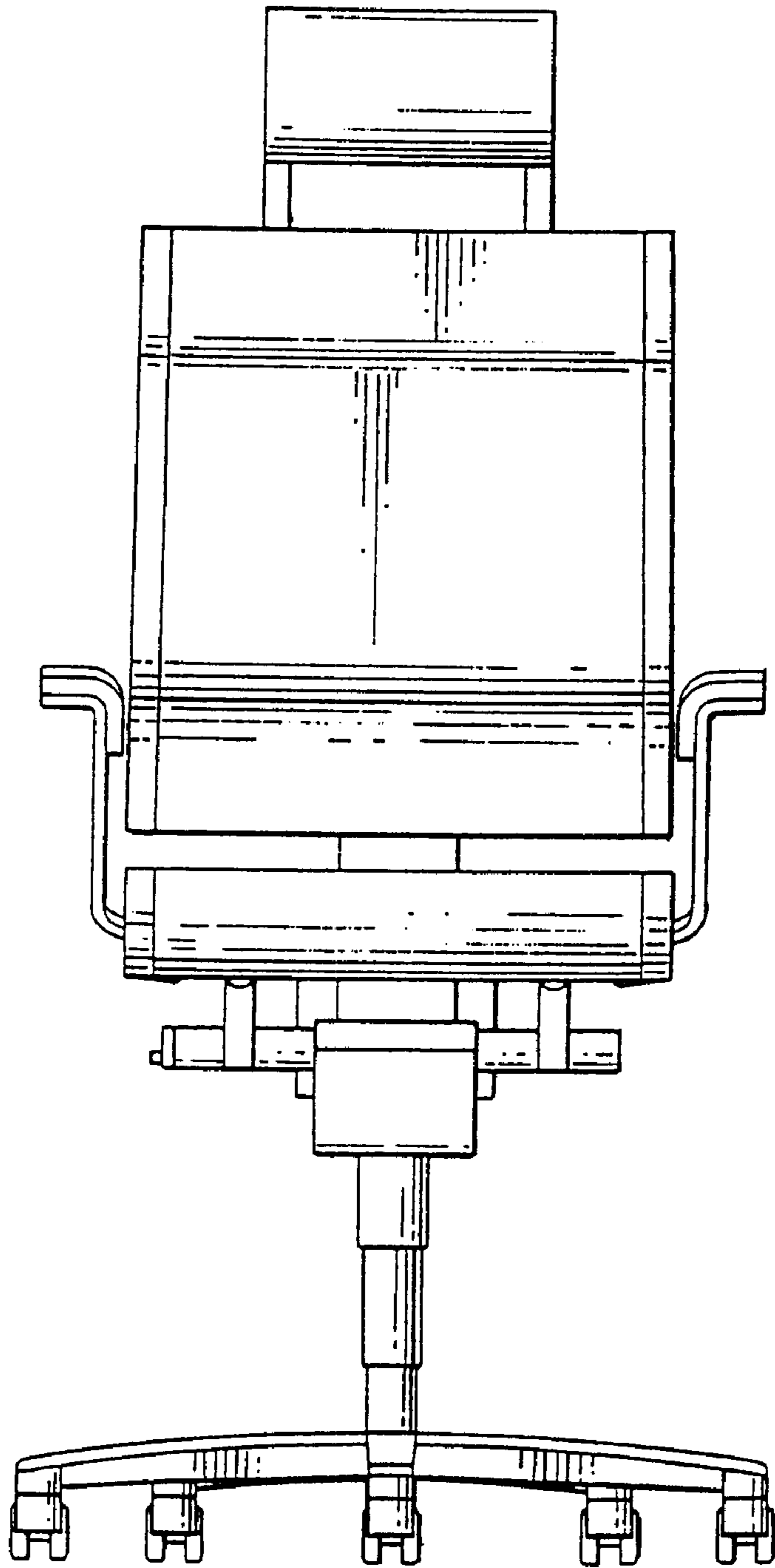


FIG. 10

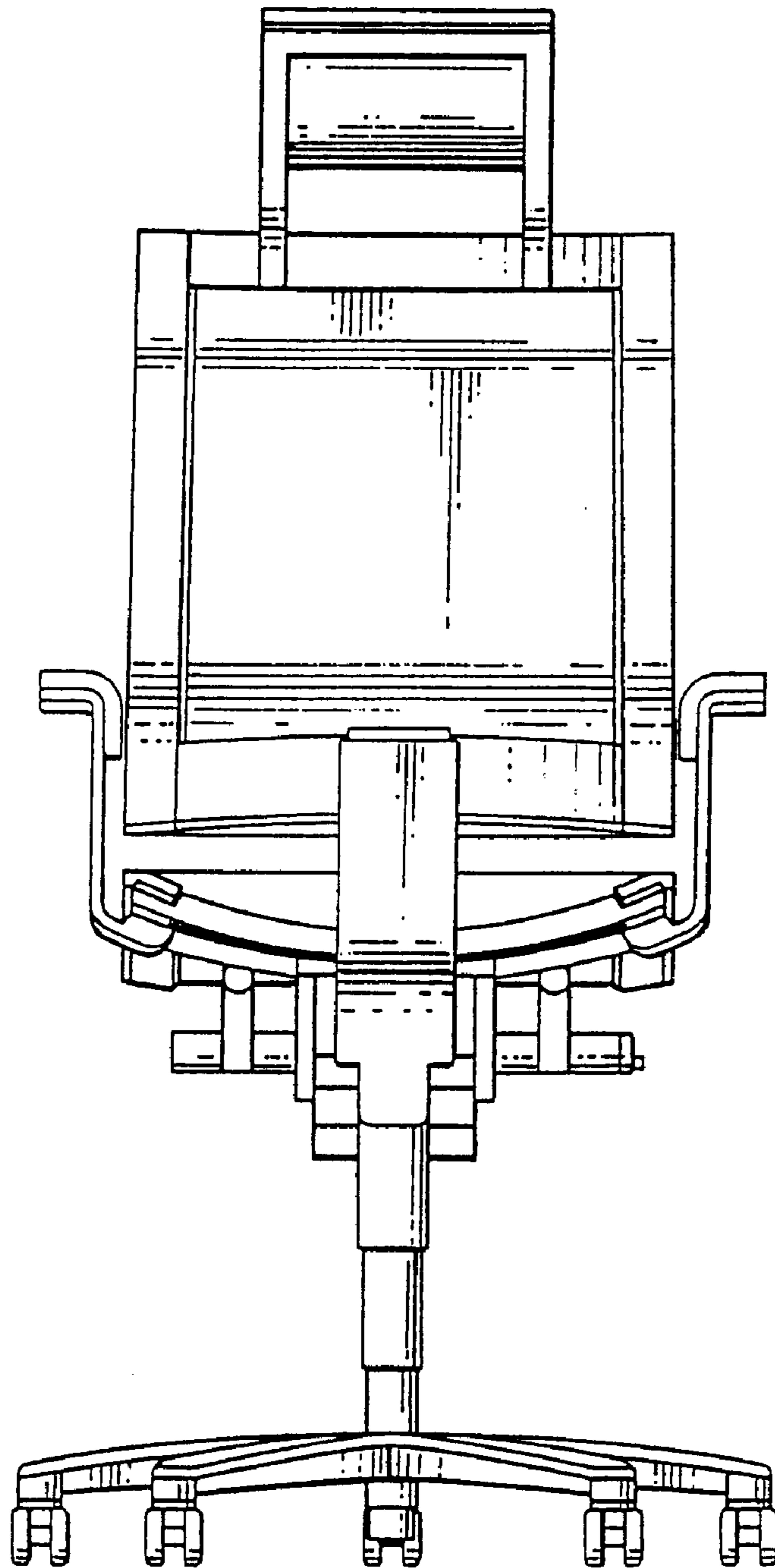


FIG. 11

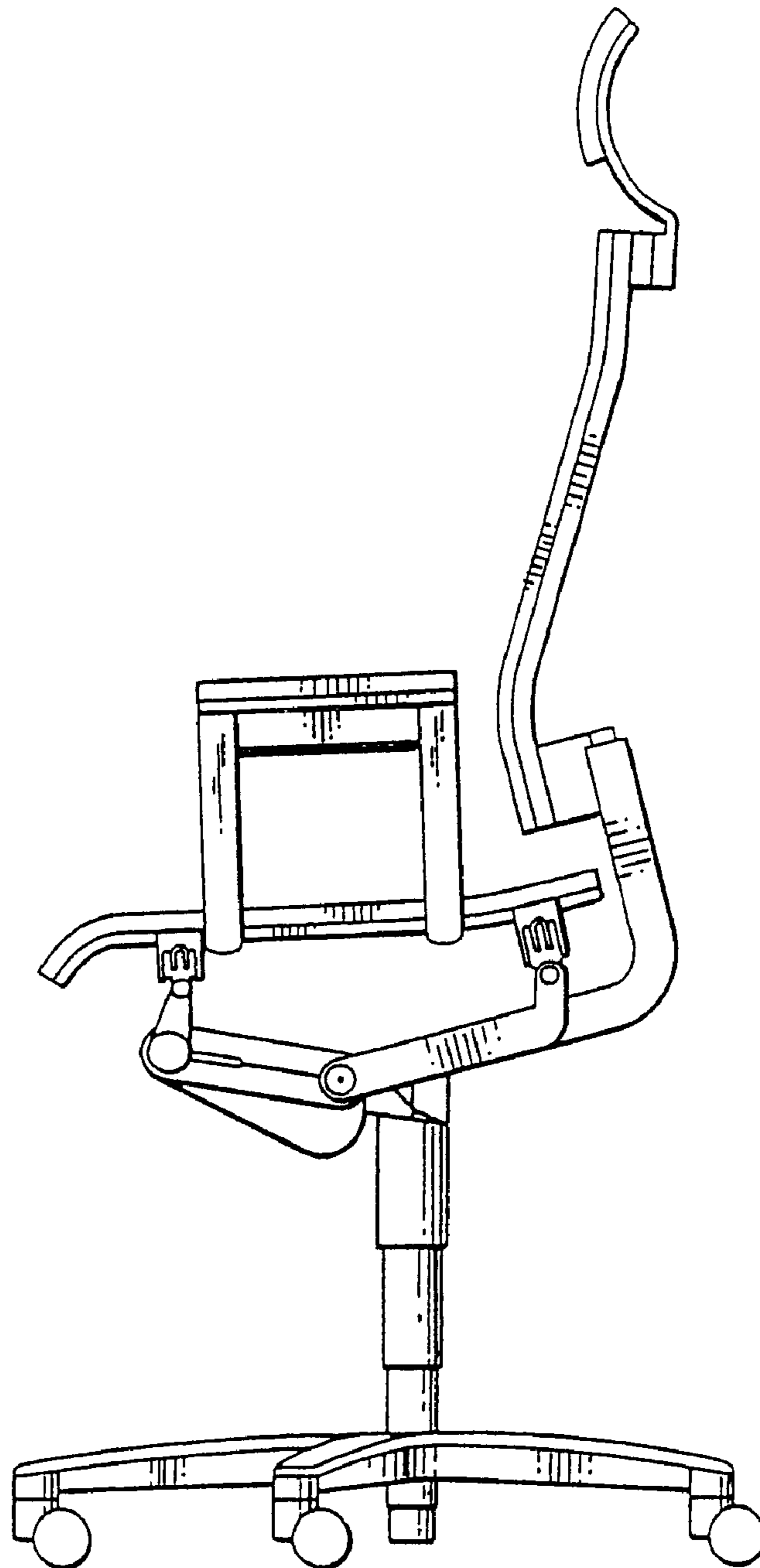


FIG. 12

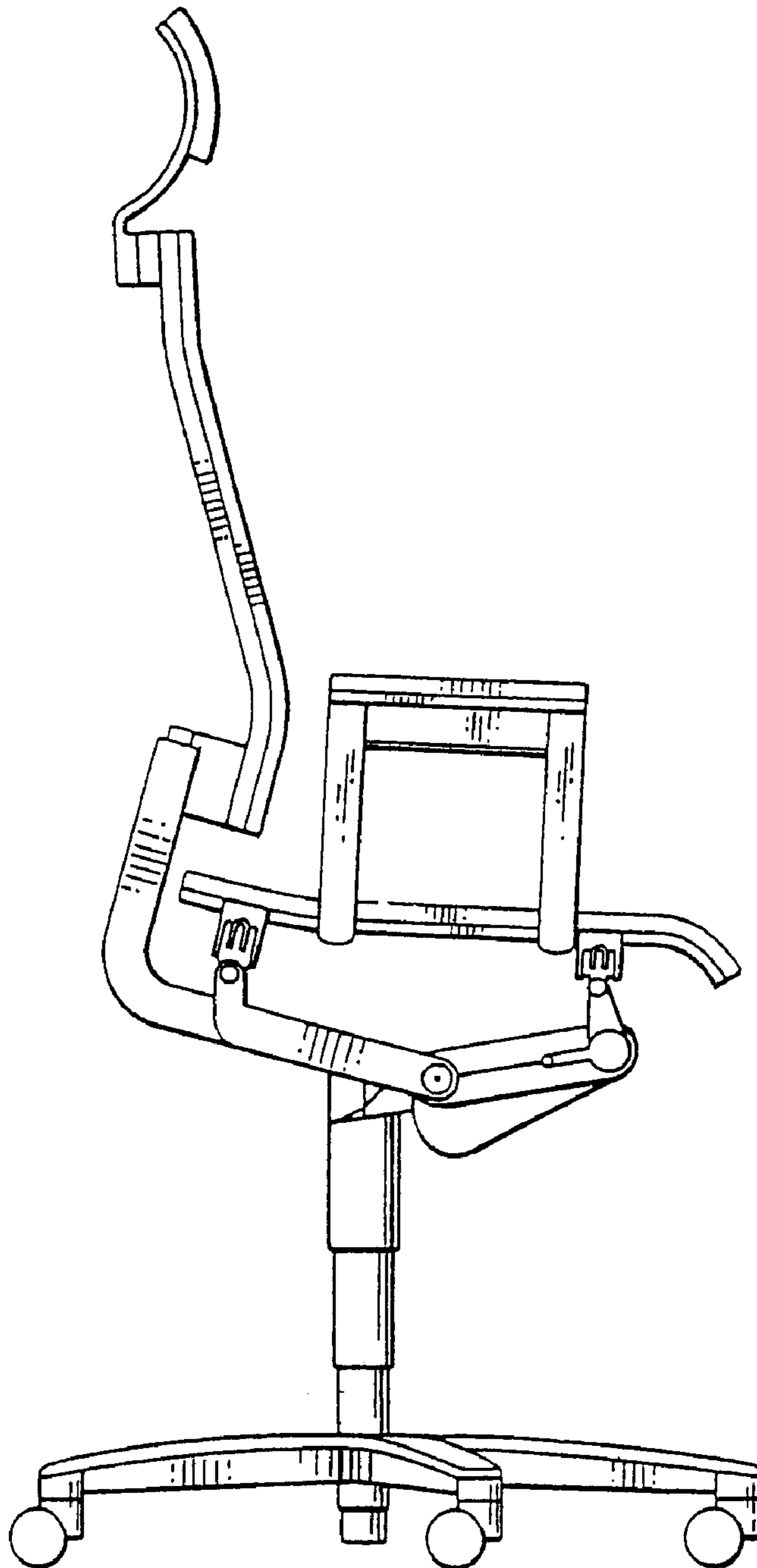


FIG. 13

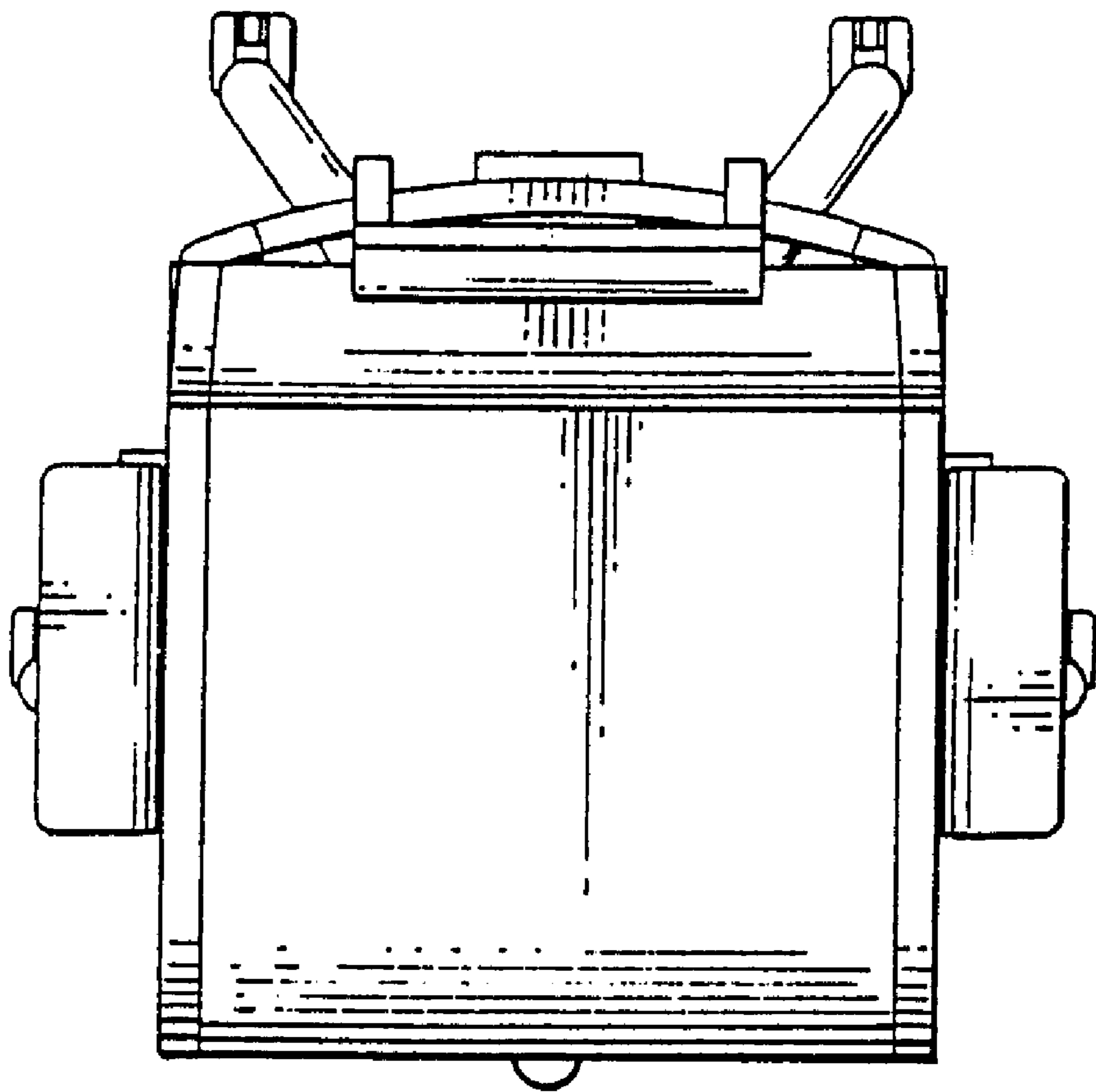


FIG. 14

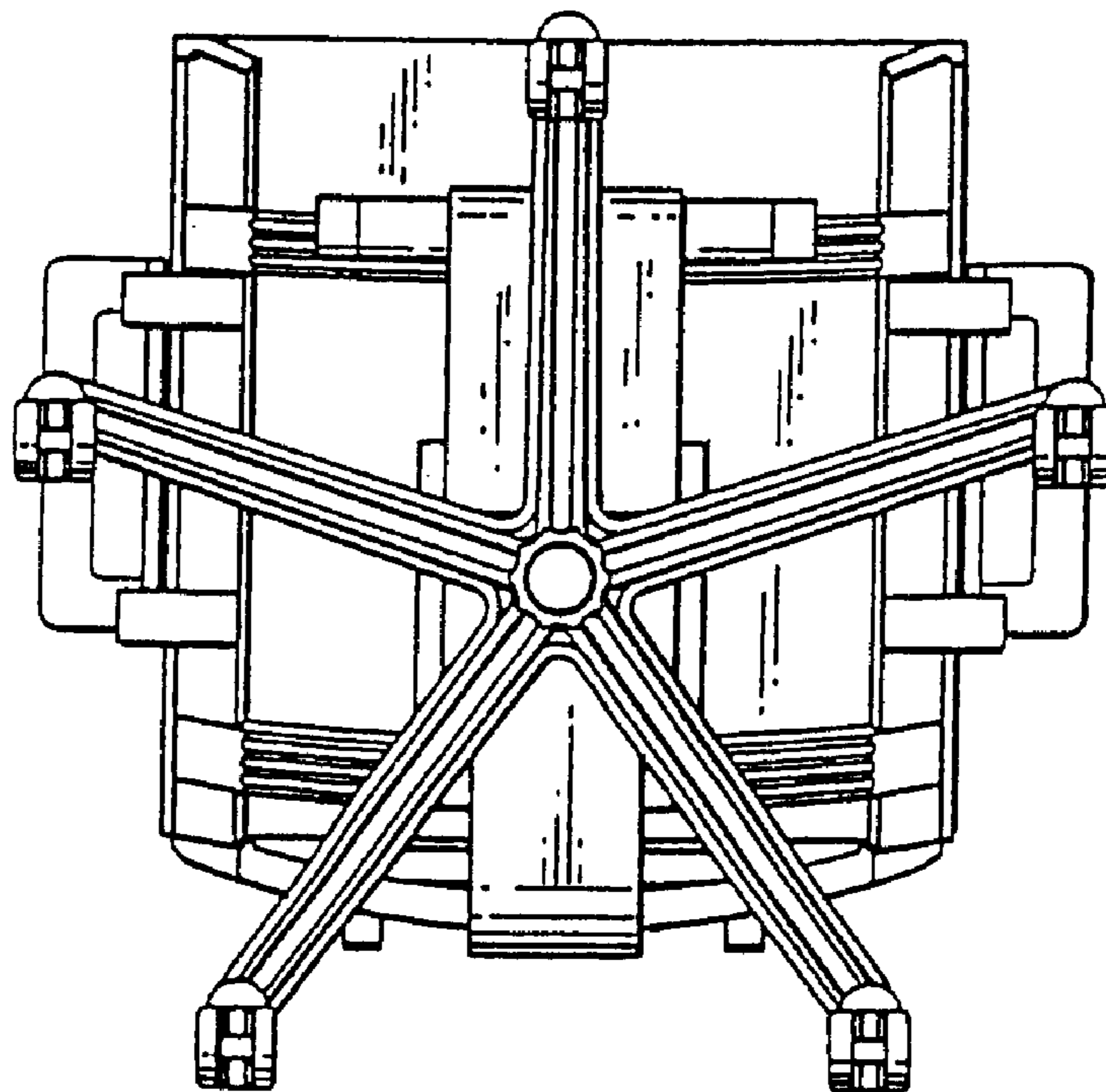


FIG. 15

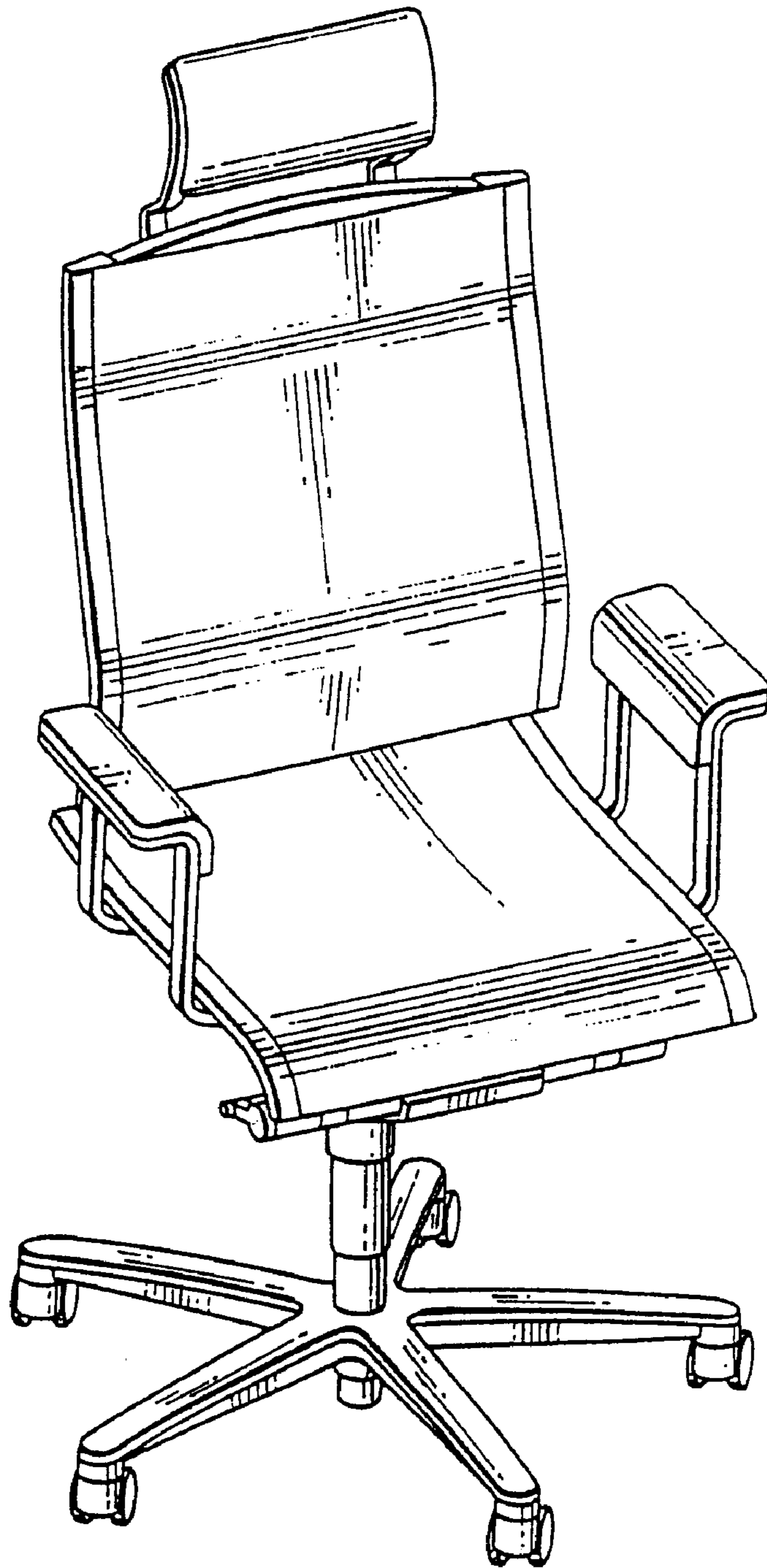


FIG. 16

