



US00D482202S

(12) **United States Design Patent** (10) **Patent No.:** **US D482,202 S**
Newman et al. (45) **Date of Patent:** **** Nov. 18, 2003**

(54) **PAINT EDGER WITH HORIZONTAL AND VERTICAL GUIDE WHEELS**

FOREIGN PATENT DOCUMENTS

GB 1515944 * 6/1978 B25G/3/38

(75) Inventors: **Robert D. Newman**, Greenwood, MO (US); **Buford J. Guittar**, Greenwood, MO (US)

OTHER PUBLICATIONS

Prior art paint edger commercially available under the designation Shur-Line as shown in the printout from the website www.newellco.com attached as Exhibit A. Printout from website www.whizzroller.com attached as Exhibit B (printed Apr. 10, 2003) showing an edger commercially available under the designation Pro-Pivot Edger distributed by Worktools International, Inc., Jul. 2001. Printout from website www.fia-gmbh.com attached as Exhibit C (printed Apr. 10, 2003) showing an edger manufactured by FIA Farbwerkzeug GmbH & Co. KG, Jan. 2002.

(73) Assignee: **Specialty Products of Greenwood, Missouri, Inc.**, Greenwood, MO (US); part interest

(**) Term: **14 Years**

* cited by examiner

(21) Appl. No.: **29/179,645**

(22) Filed: **Apr. 11, 2003**

Related U.S. Application Data

Primary Examiner—Alan P. Douglas
Assistant Examiner—Lavone D. Tabor
(74) *Attorney, Agent, or Firm*—Hovey Williams LLP

(63) Continuation of application No. 29/173,531, filed on Dec. 30, 2002, now abandoned, which is a continuation of application No. 10/065,990, filed on Dec. 6, 2002.

CLAIM

(51) **LOC (7) Cl.** **04-04**

The ornamental design for a paint edger with horizontal and vertical guide wheels, as shown and described.

(52) **U.S. Cl.** **D4/121; D4/137; D4/138**

(58) **Field of Search** D4/121, 137, 138, D4/199; D32/50-52; 15/97.1, 98, 145, 144.1, 144.2, 166, 209.1, 210.1, 228; 118/264

DESCRIPTION

(56) **References Cited**

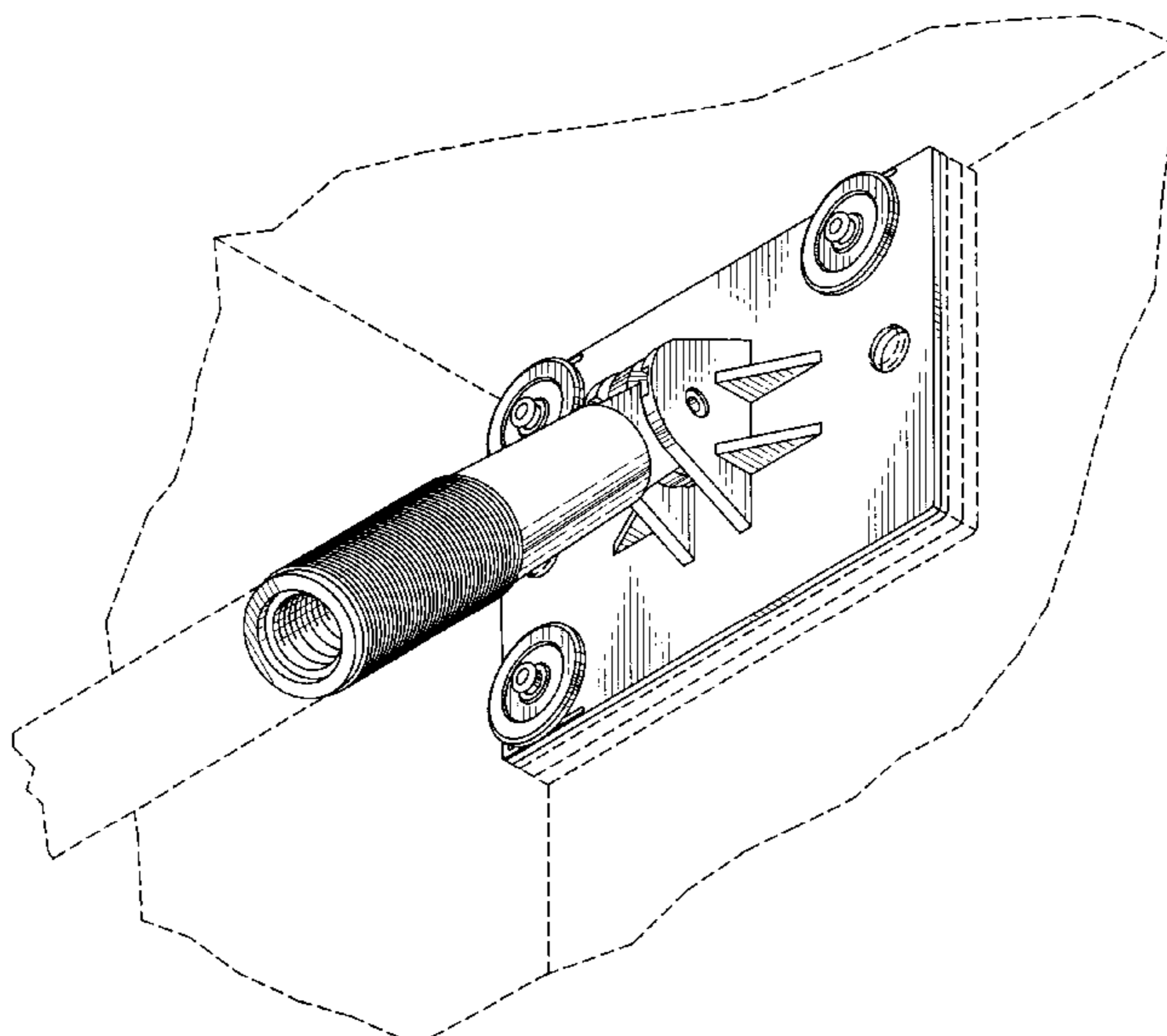
U.S. PATENT DOCUMENTS

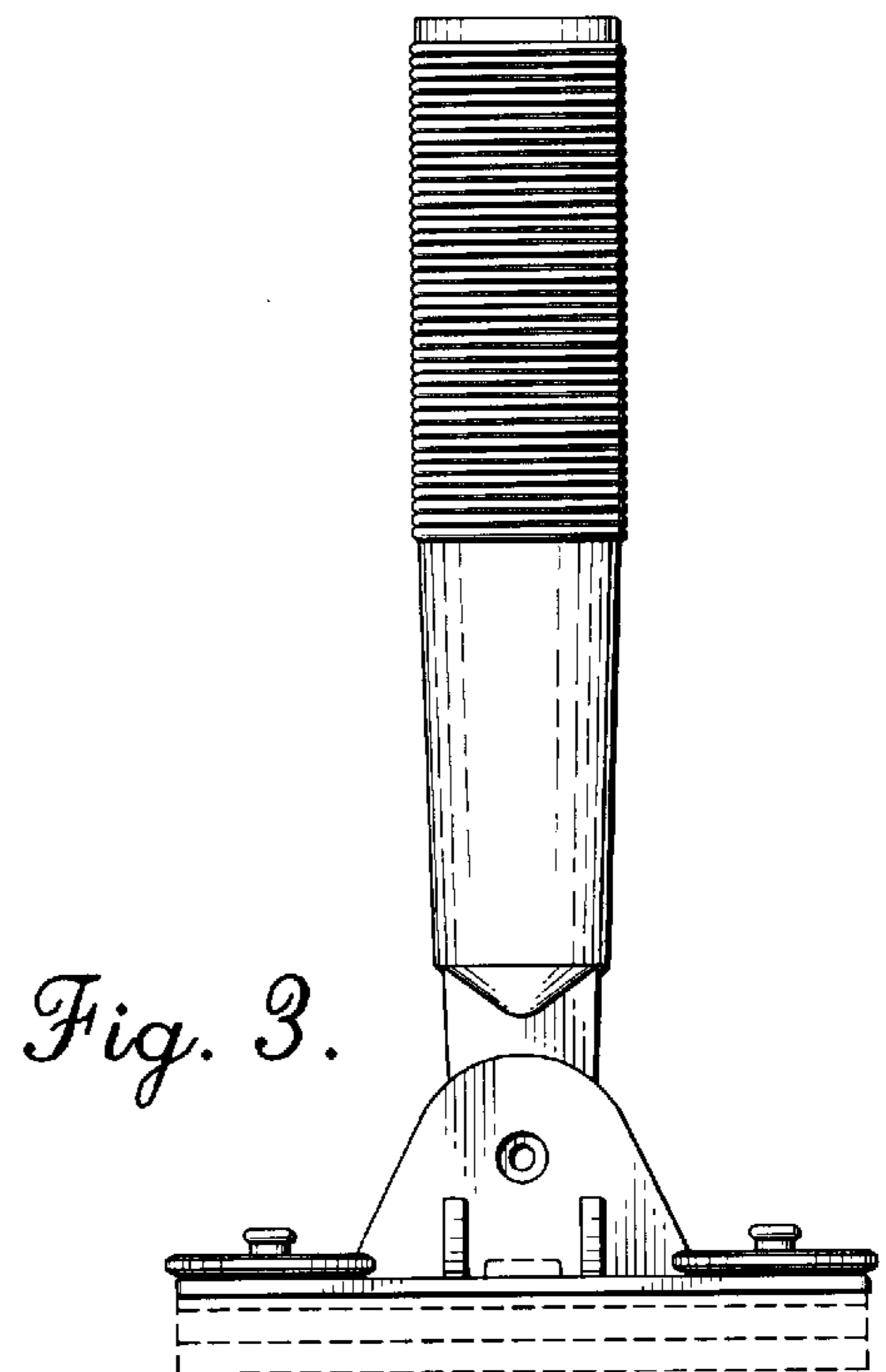
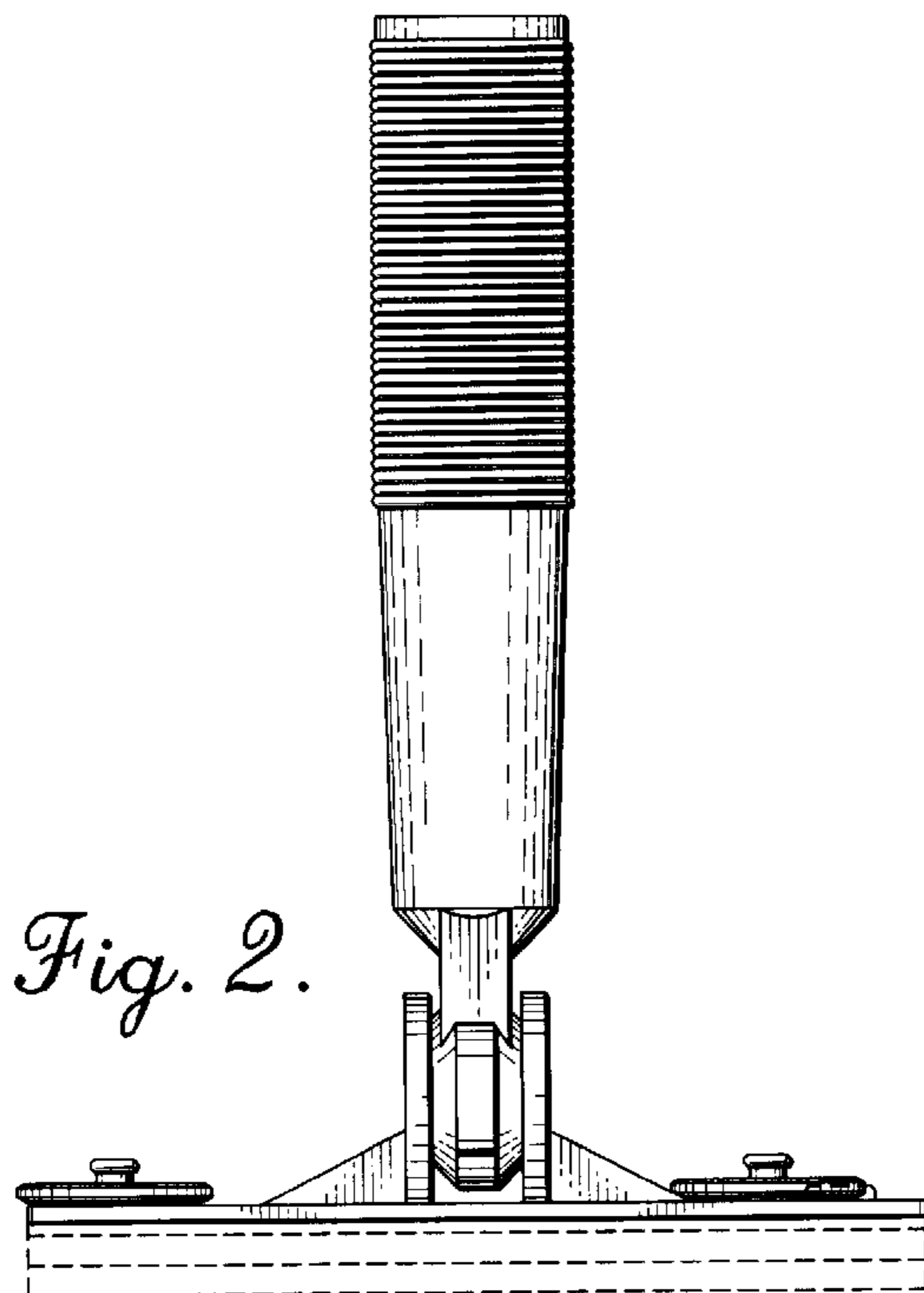
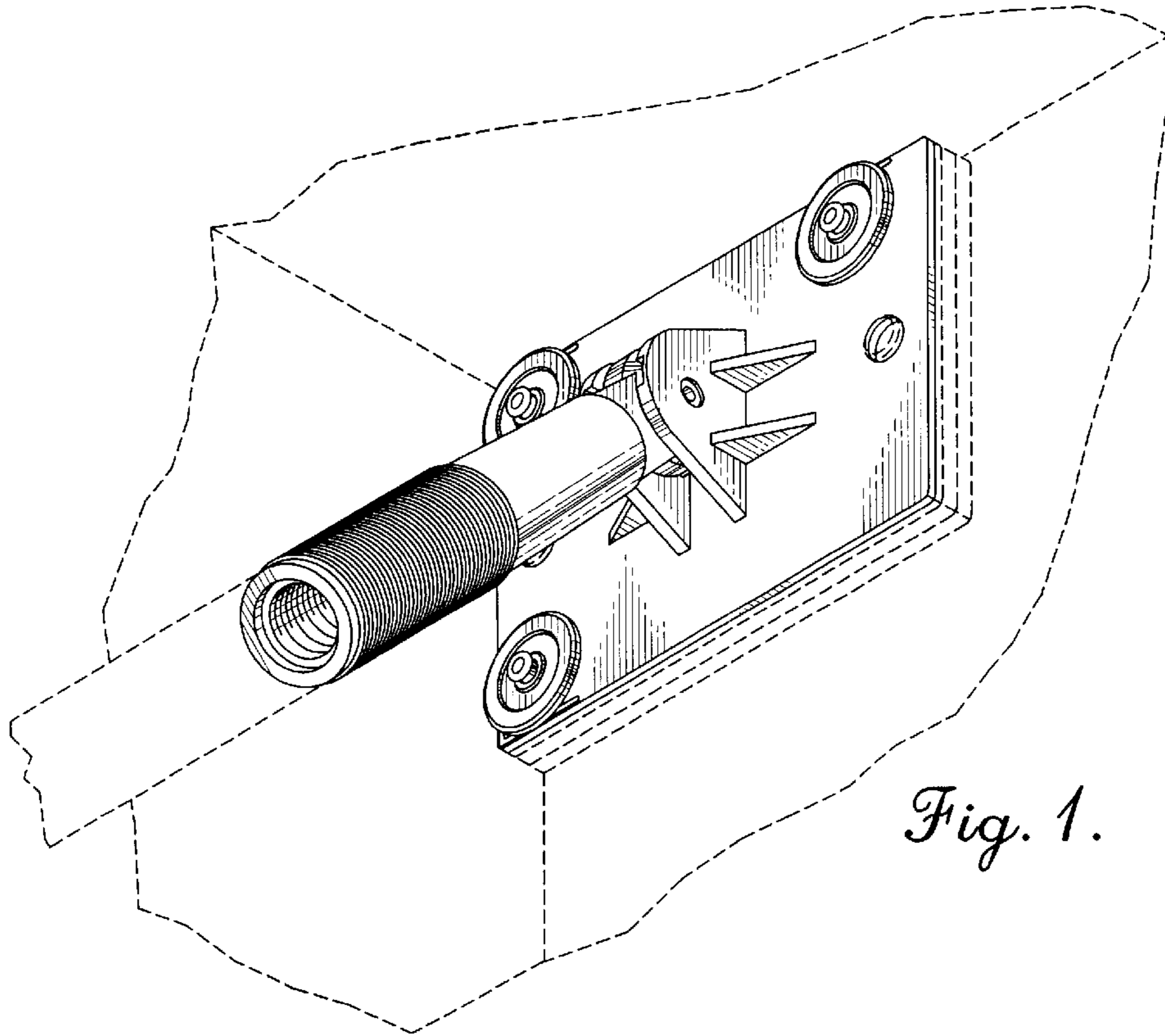
D218,202 S	*	7/1970	Nicolay	D4/121
3,708,821 A	*	1/1973	Chase et al.	15/210.1
4,219,899 A	*	9/1980	Zurawin et al.	15/144.2
4,424,603 A	*	1/1984	Balint et al.	15/210.1
4,819,294 A	*	4/1989	Calvert	15/209.1
5,293,662 A		3/1994	Newman, Sr. et al.		
5,495,635 A	*	3/1996	Williams	15/210.1
D395,169 S	*	6/1998	Yang	D4/137
6,006,393 A		12/1999	Lynch et al.		
6,530,107 B2	*	3/2003	Kim	15/210.1
6,554,902 B2	*	4/2003	Yan	118/264

FIG. 1 is a perspective view of a paint edger with horizontal and vertical guide wheels showing our new design with the broken lines showing an extension pole, removable applicator, and adjacent wall and ceiling structure being for illustrative purposes only and forming no part of the claimed design;

FIG. 2 is a left side elevational view of the edger of FIG. 1 shown with the handle in an alternate position; FIG. 3 is a right end elevational view of FIG. 2; FIG. 4 is a right end elevational view of FIG. 2; FIG. 5 is a right side elevational view of FIG. 2; FIG. 6 is a top plan view of FIG. 2; and, FIG. 7 is a bottom plan view of FIG. 2.

1 Claim, 2 Drawing Sheets





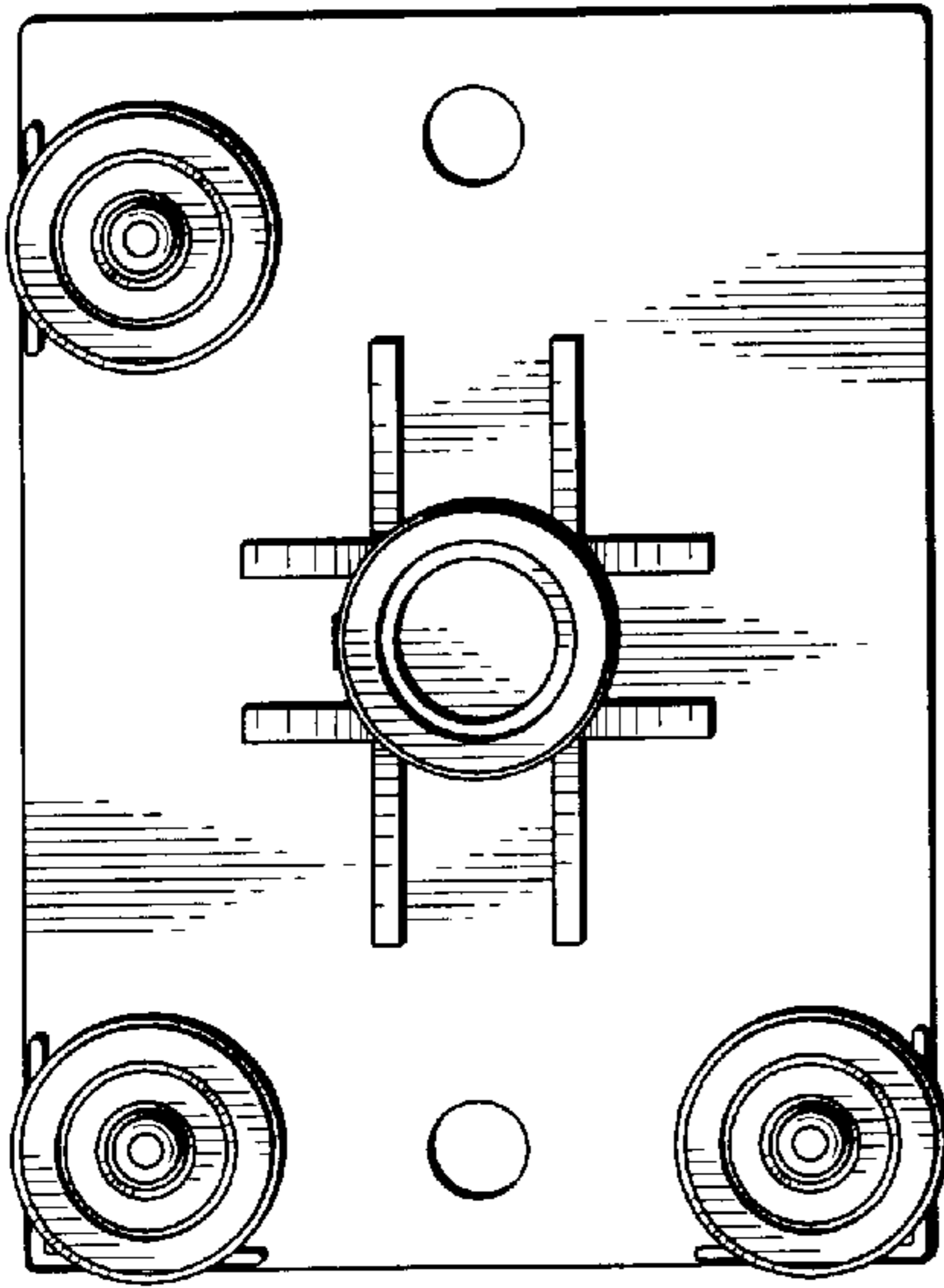


Fig. 6.

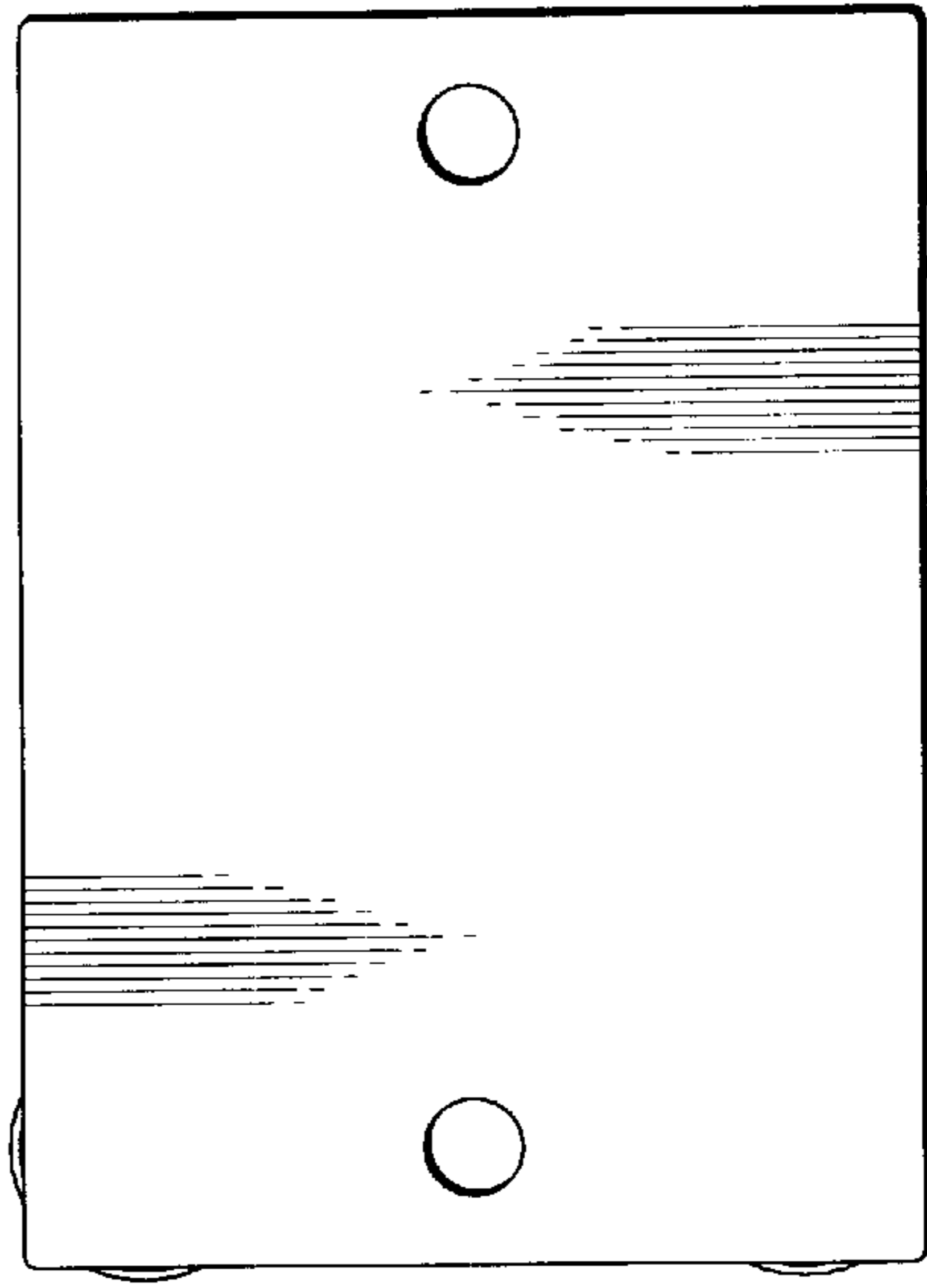


Fig. 7.

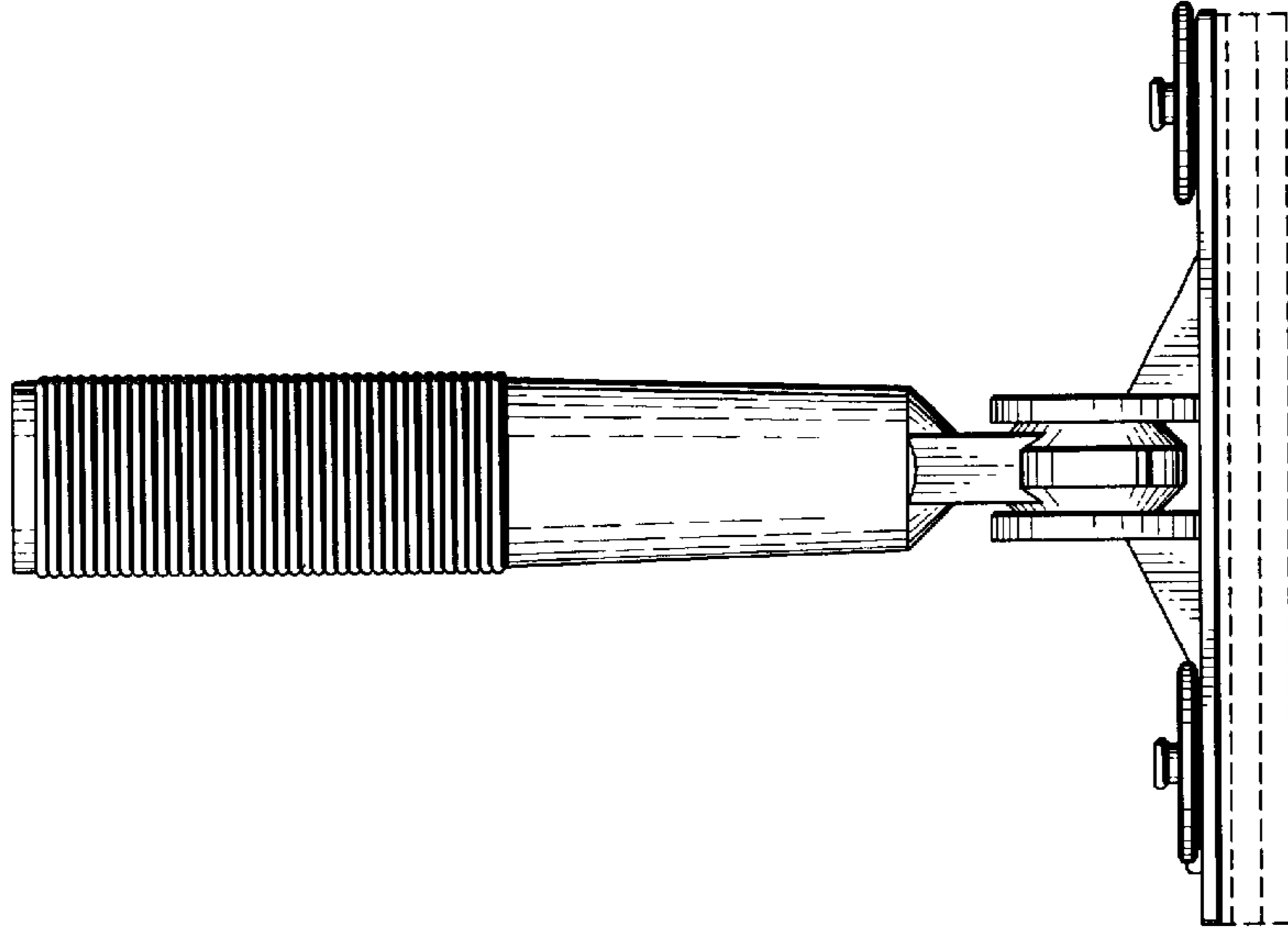


Fig. 5.

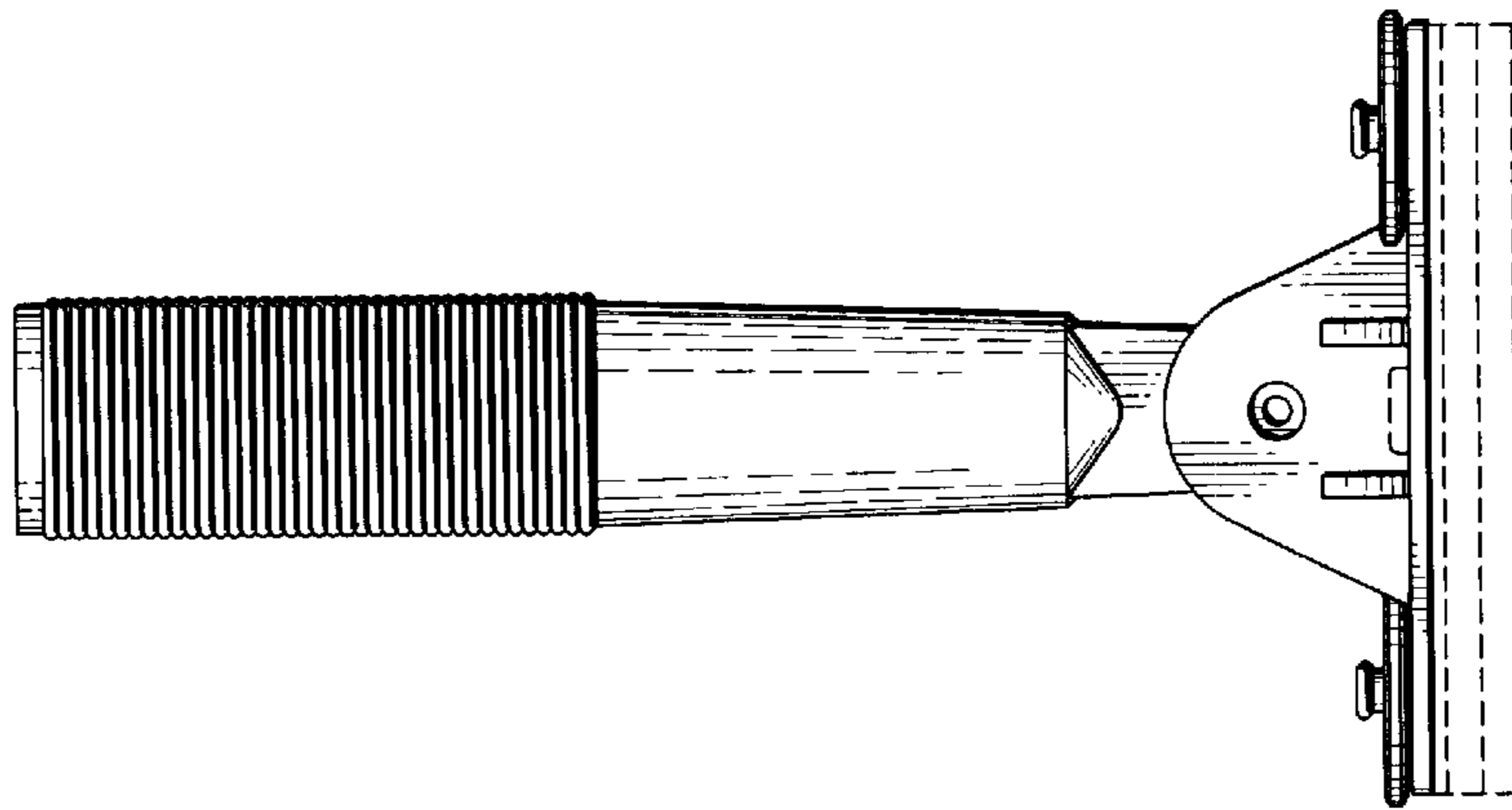


Fig. 4.