



US00D482201S

(12) **United States Design Patent**
Long

(10) **Patent No.:** **US D482,201 S**

(45) **Date of Patent:** **** Nov. 18, 2003**

(54) **TOOTHBRUSH WITH TOOTHPASTE-FILLED HANDLE**

5,425,591 A 6/1995 Contreras et al.
5,908,257 A * 6/1999 Martin 401/271
D426,708 S * 6/2000 Francis D4/108

(76) **Inventor:** **Willard R. Long**, P.O. Box 435,
Ohatchee, AL (US) 36271

FOREIGN PATENT DOCUMENTS

(**) **Term:** **14 Years**

CA 2254550 * 5/2000 A46B/11/02
DE 2354287 * 5/1975 A46B/11/02

(21) **Appl. No.:** **29/174,602**

* cited by examiner

(22) **Filed:** **Jan. 22, 2003**

Primary Examiner—Alan P. Douglas

Assistant Examiner—Lavone D. Tabor

(51) **LOC (7) Cl.** **04-02**

(74) *Attorney, Agent, or Firm*—Donald R. Schoonover

(52) **U.S. Cl.** **D4/108**

(58) **Field of Search** D4/104–112, 114,
D4/134, 138; 15/167.1; 132/308, 311; 401/150–154,
171–175, 268, 270, 271, 277, 279, 286,
287, 291

(57) **CLAIM**

I claim the ornamental design for a toothbrush with toothpaste-filled handle, as shown and described.

(56) **References Cited**

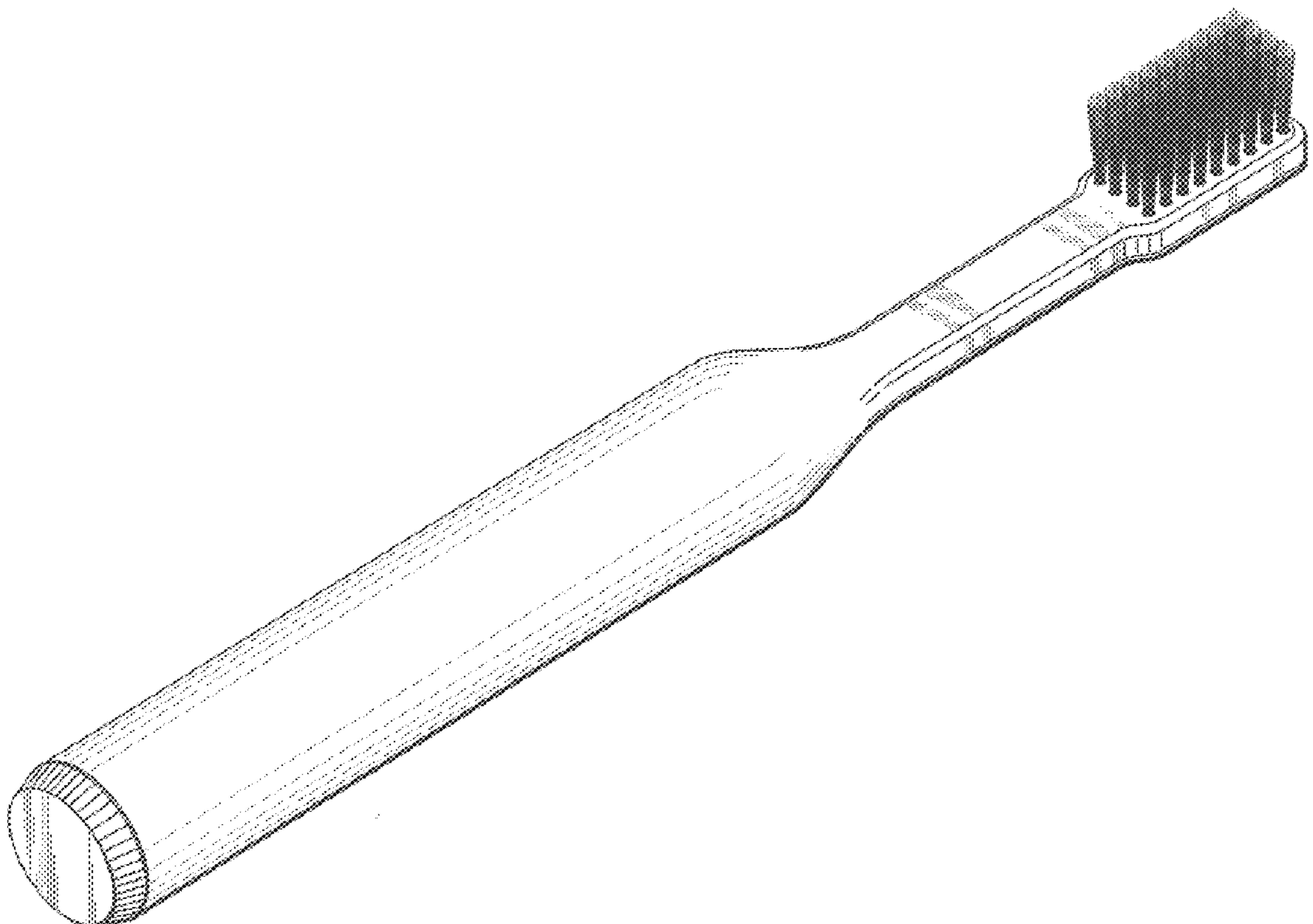
DESCRIPTION

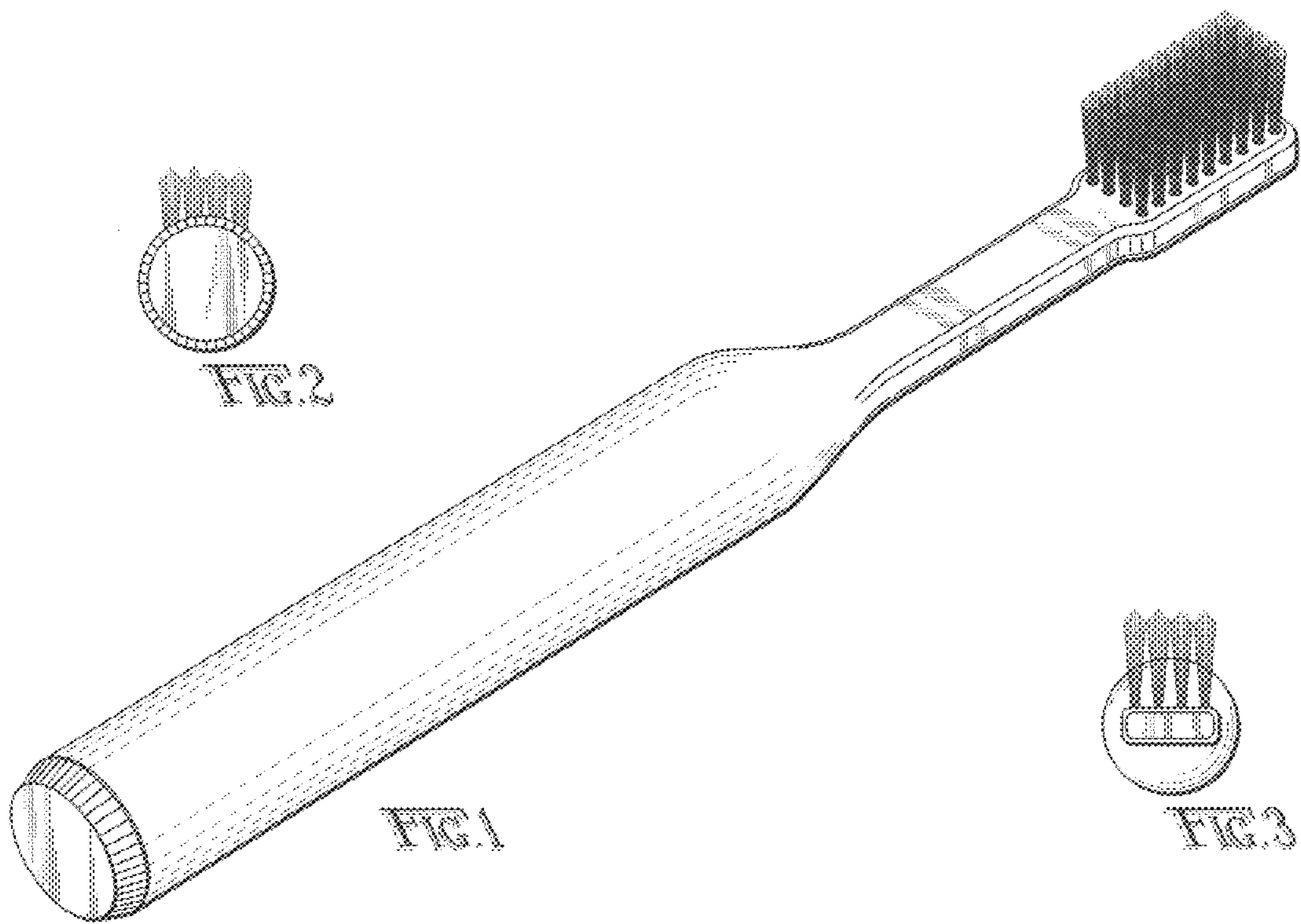
U.S. PATENT DOCUMENTS

D127,731 S 6/1941 Bergman
2,527,741 A 10/1950 Lamonde
3,408,150 A 10/1968 Figa
3,995,648 A * 12/1976 Kuryla 401/173
4,277,194 A * 7/1981 Smith 401/173
D281,653 S * 12/1985 Baity D4/108
4,865,481 A 9/1989 Scales
5,028,158 A 7/1991 Fey
D322,172 S 12/1991 Cheng

FIG. 1 is a perspective view of a toothbrush with toothpaste-filled handle showing my new design;
FIG. 2 is an end elevational view thereof;
FIG. 3 is an elevational view of the opposite end thereof;
FIG. 4 is a side elevational view thereof, the elevational view of the opposite side being a mirror image thereof;
FIG. 5 is a bottom plan view thereof; and,
FIG. 6 is a top plan view thereof.

1 Claim, 2 Drawing Sheets





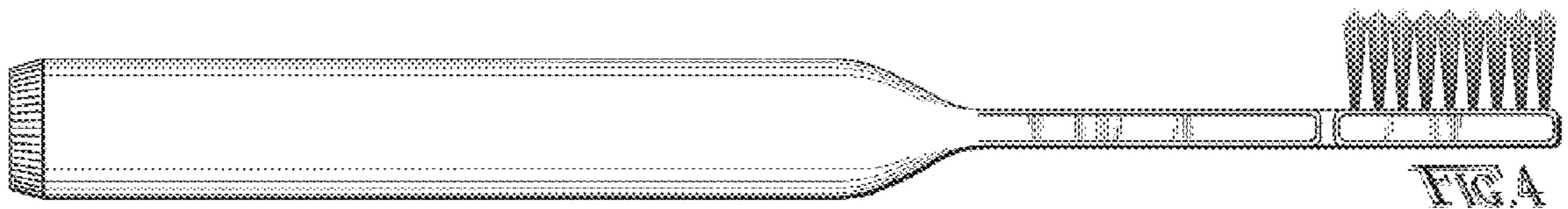


FIG. 4

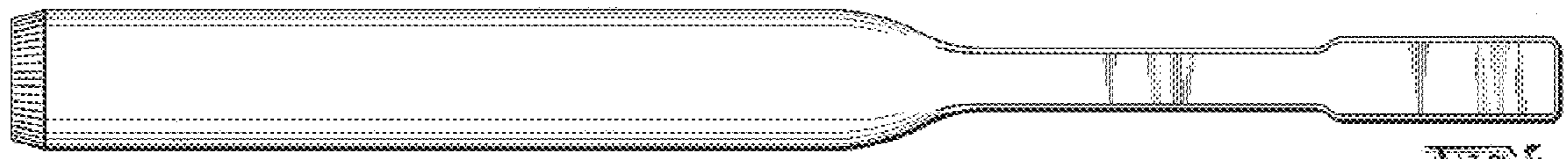


FIG. 5

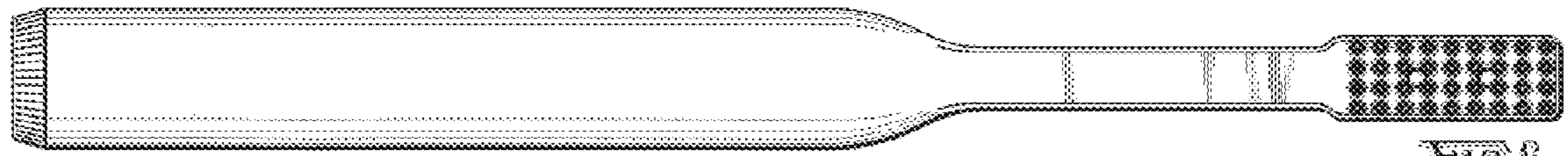


FIG. 6