



US00D482198S

(12) **United States Design Patent**  
**Wolf**

(10) **Patent No.:** **US D482,198 S**

(45) **Date of Patent:** **\*\* Nov. 18, 2003**

- (54) **JEWELRY BOX WITH STRAP**
- (75) Inventor: **Simon Wolf**, Malibu, CA (US)
- (73) Assignee: **Wolf Designs, Inc.**, Malibu, CA (US)
- (\*\*) Term: **14 Years**
- (21) Appl. No.: **29/177,915**
- (22) Filed: **Mar. 17, 2003**
- (51) **LOC (7) Cl.** ..... **03-01**
- (52) **U.S. Cl.** ..... **D3/295; D3/901; D3/294;**  
D3/291; D3/903
- (58) **Field of Search** ..... D3/272, 273, 276,  
D3/283, 291, 294, 295, 901; 206/6.1, 566;  
190/110, 111, 109

- D455,550 S \* 4/2002 Wolf ..... D3/275
- D455,902 S \* 4/2002 Wolf ..... D3/275
- D467,427 S \* 12/2002 Wolf ..... D3/289
- D471,010 S \* 3/2003 Wolf ..... D3/294

\* cited by examiner

*Primary Examiner*—Philip S. Hyder  
(74) *Attorney, Agent, or Firm*—Cislo & Thomas, LLP

(57) **CLAIM**

The ornamental design for a jewelry box with strap, as shown and described herein.

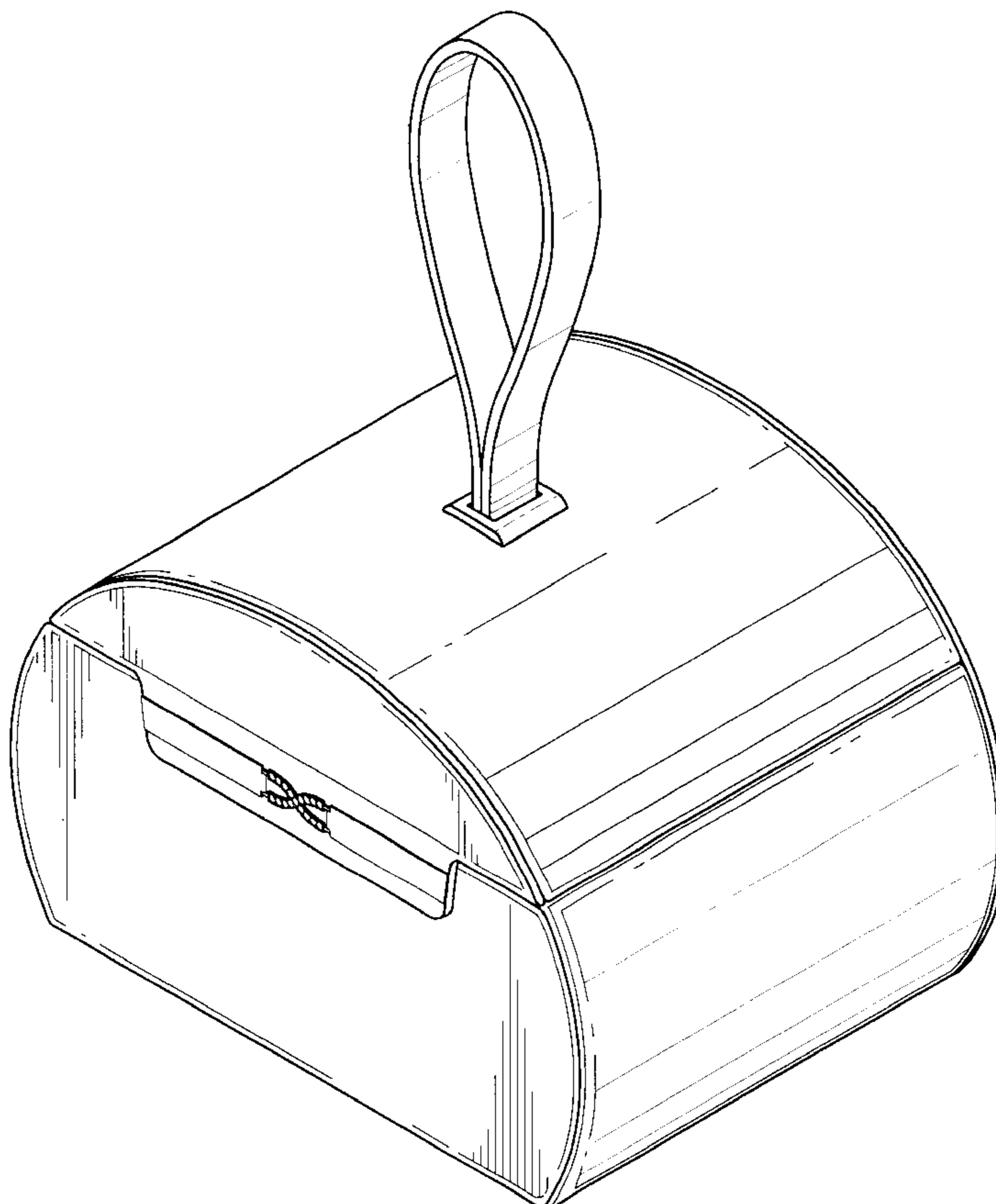
**DESCRIPTION**

- FIG. 1. Is a perspective view of my jewelry box with strap shown in the open position with the dotted lines showing being for illustrative purposes only for which no claim is made;
- FIG. 2. Is a front perspective view of my jewelry box with strap as shown in the closed position;
- FIG. 3. Is a top plan view thereof;
- FIG. 4. Is a bottom plan view thereof;
- FIG. 5. Is a front view thereof;
- FIG. 6. Is a rear view thereof; and,
- FIG. 7. Is a left side elevational view thereof with the right side being a mirror image thereof.

(56) **References Cited**  
U.S. PATENT DOCUMENTS

- 4,692,605 A \* 9/1987 Krufka ..... 367/99
- D351,283 S \* 10/1994 Wolff ..... D3/281
- D361,430 S \* 8/1995 Mohundro ..... D3/297
- D416,135 S \* 11/1999 Chen ..... D3/276
- D417,783 S \* 12/1999 Wolf ..... D3/297
- D418,298 S \* 1/2000 Wolf ..... D3/297
- D451,671 S \* 12/2001 Wolf ..... D3/275
- D454,687 S \* 3/2002 Wolf ..... D3/275

**1 Claim, 6 Drawing Sheets**



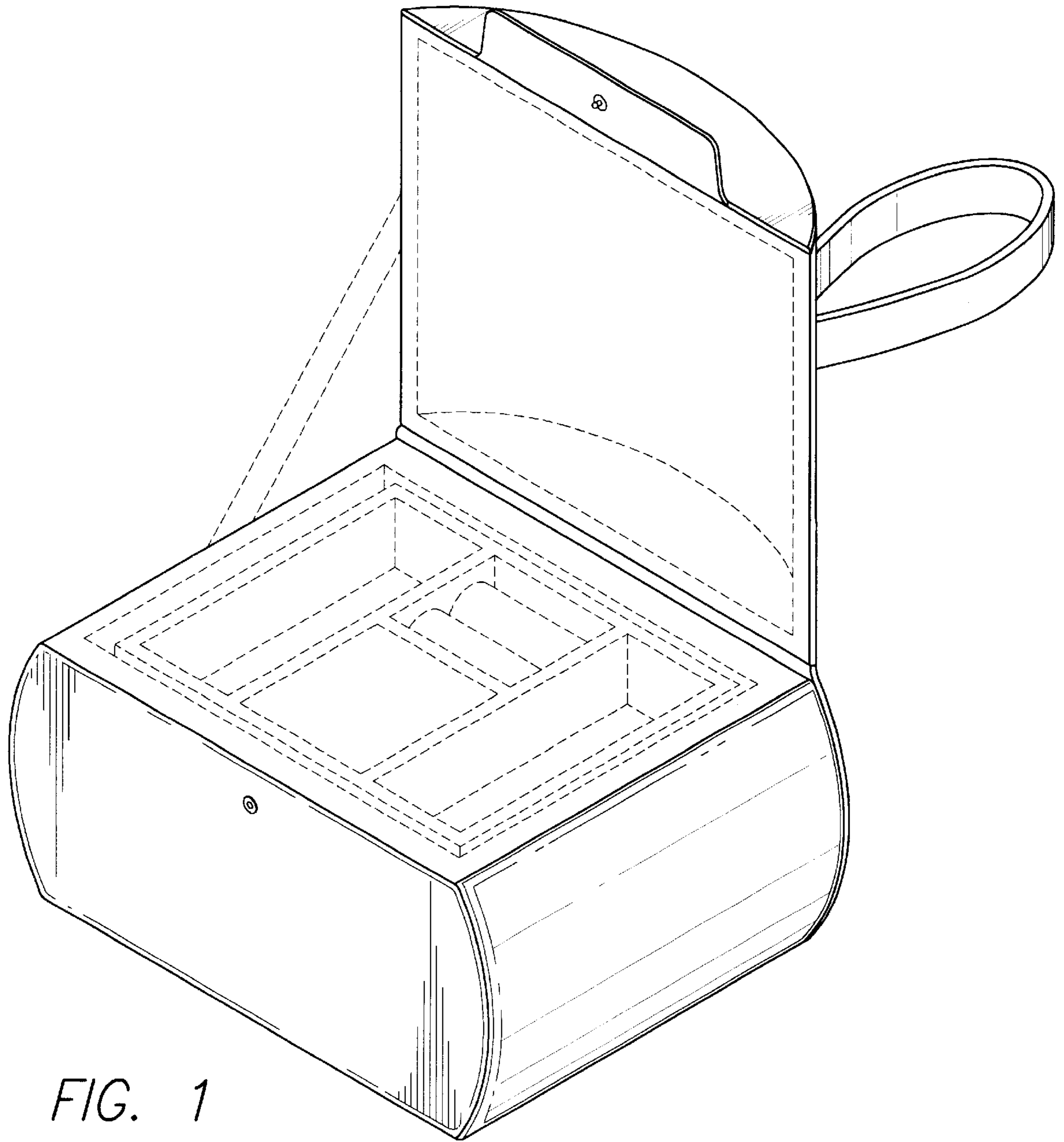


FIG. 1

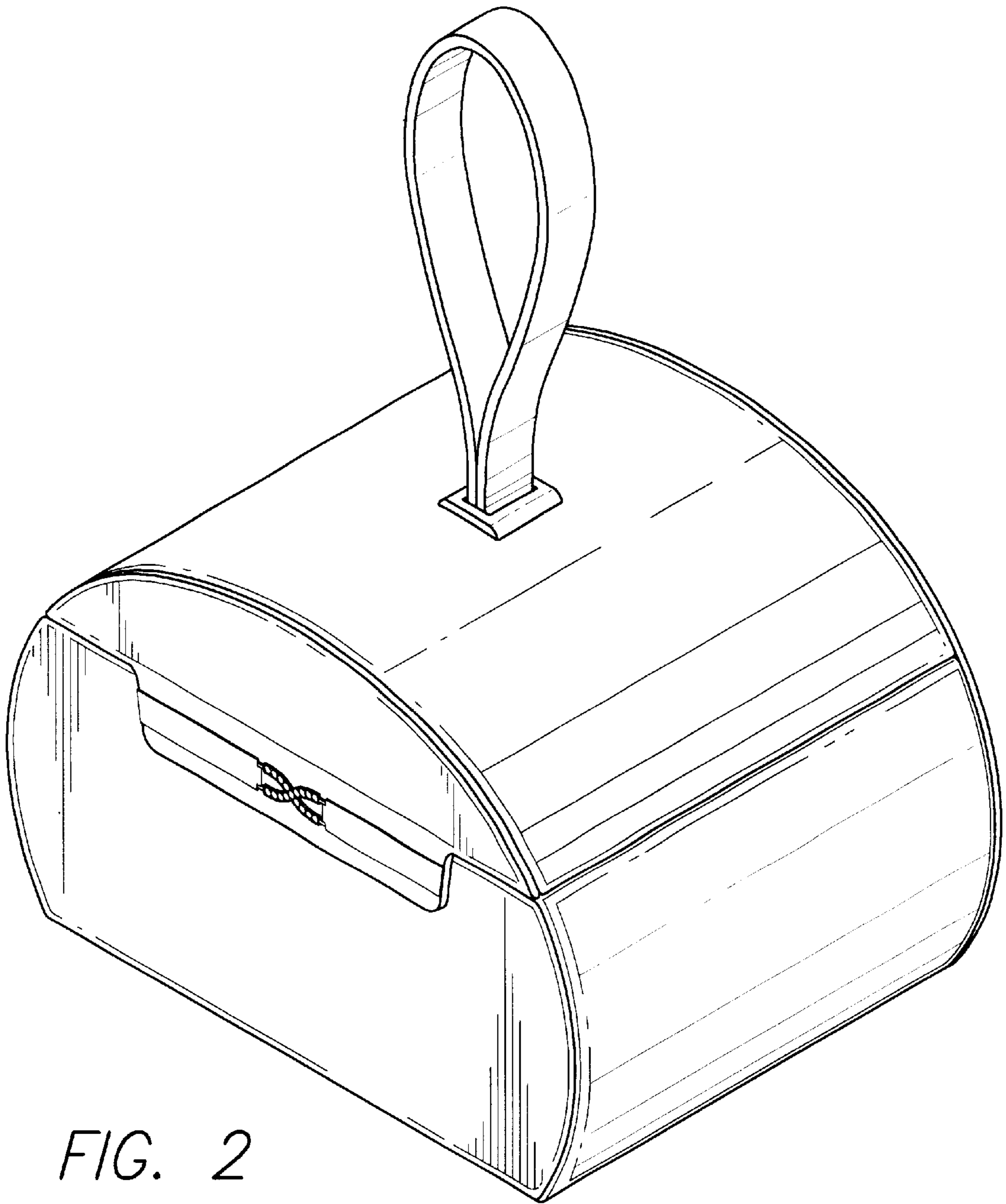


FIG. 2

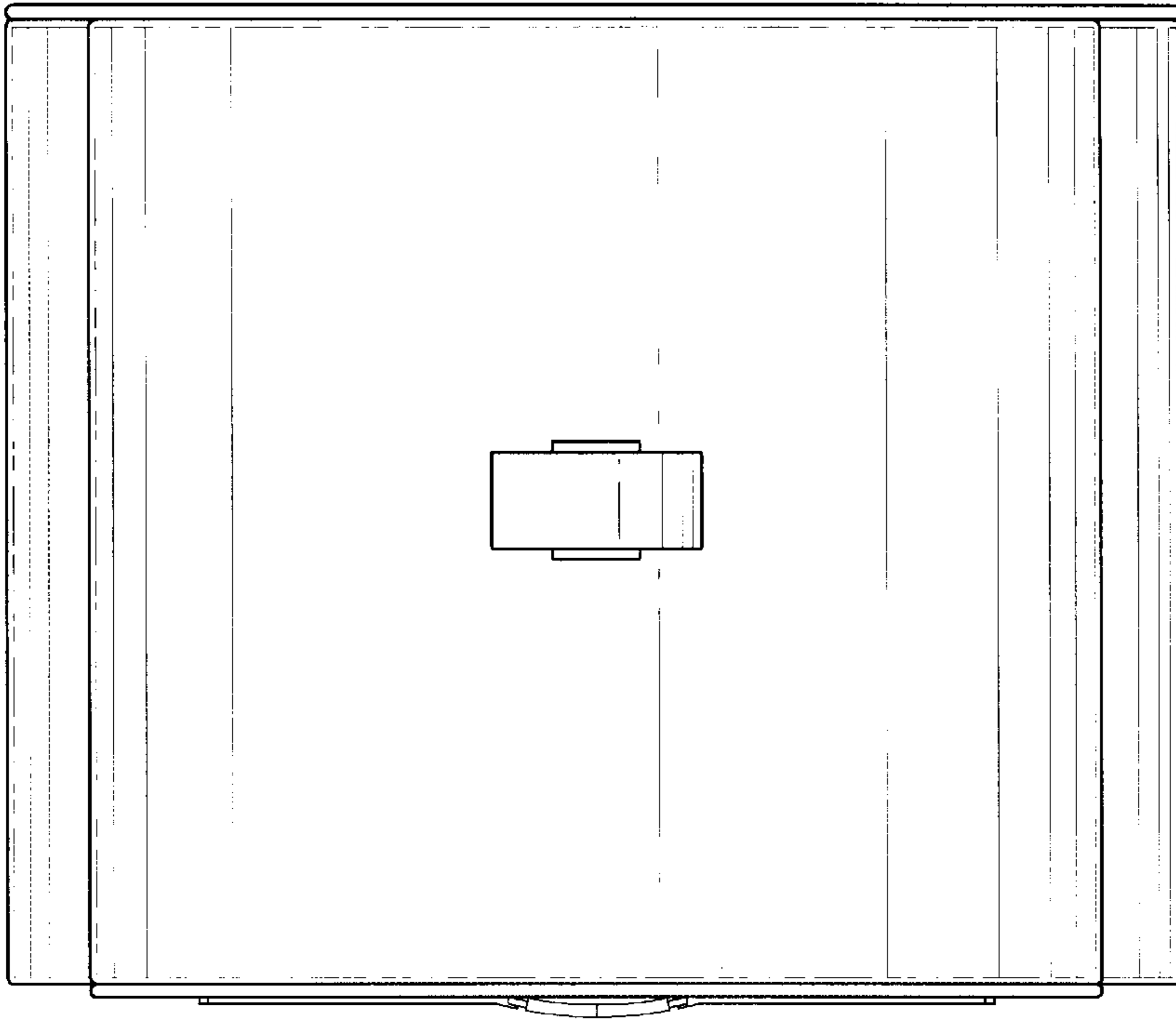


FIG. 3

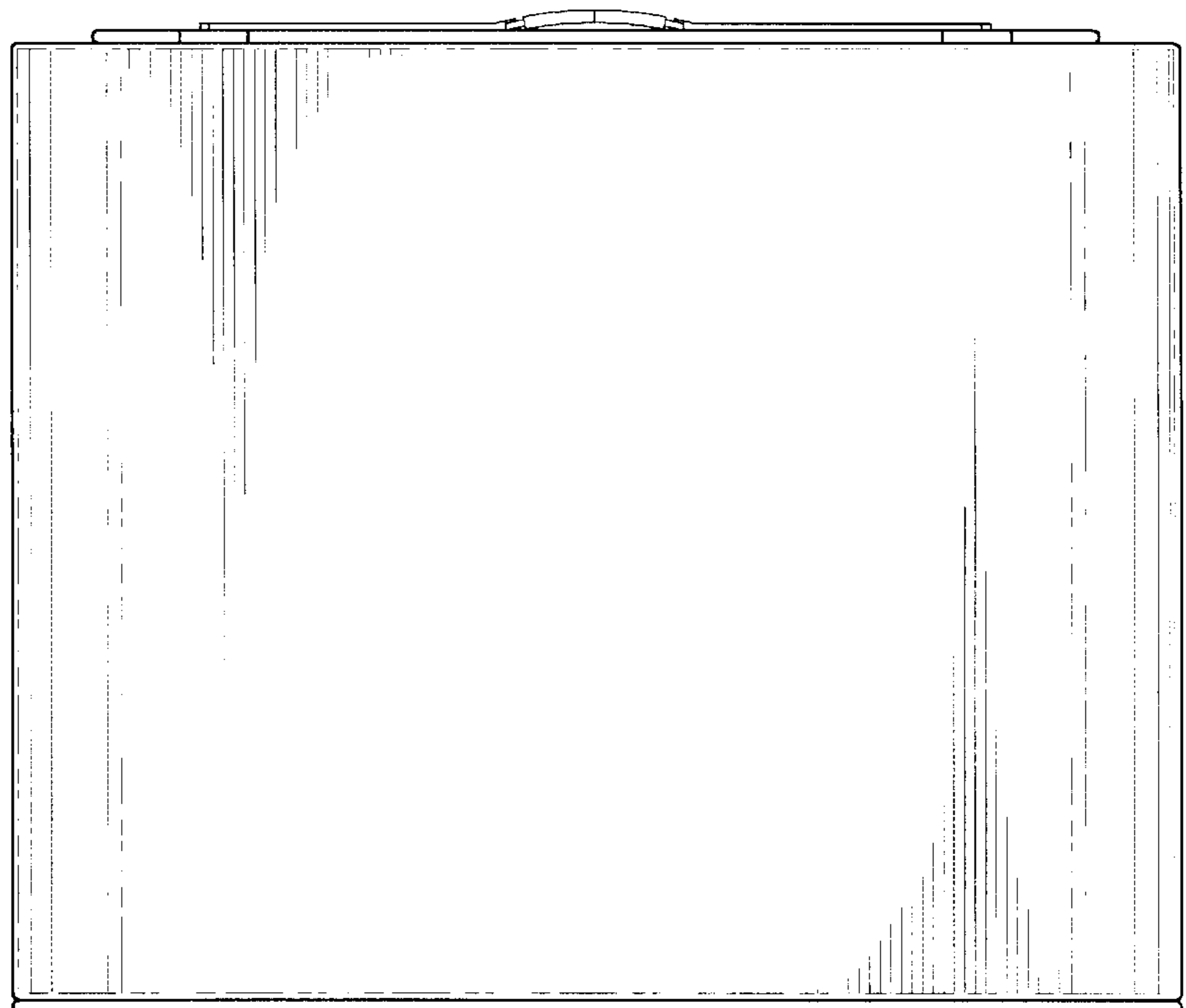


FIG. 4

FIG. 5

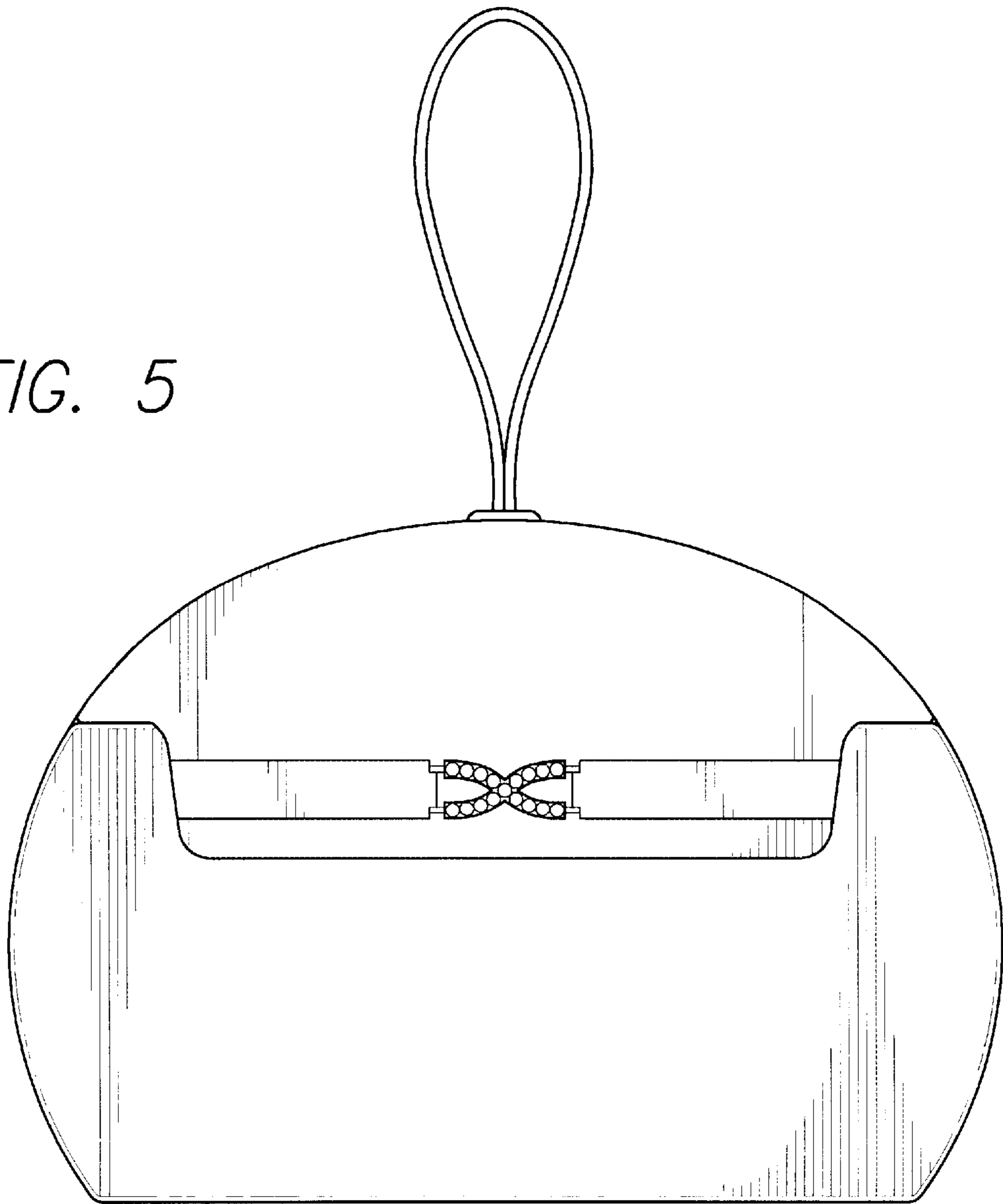
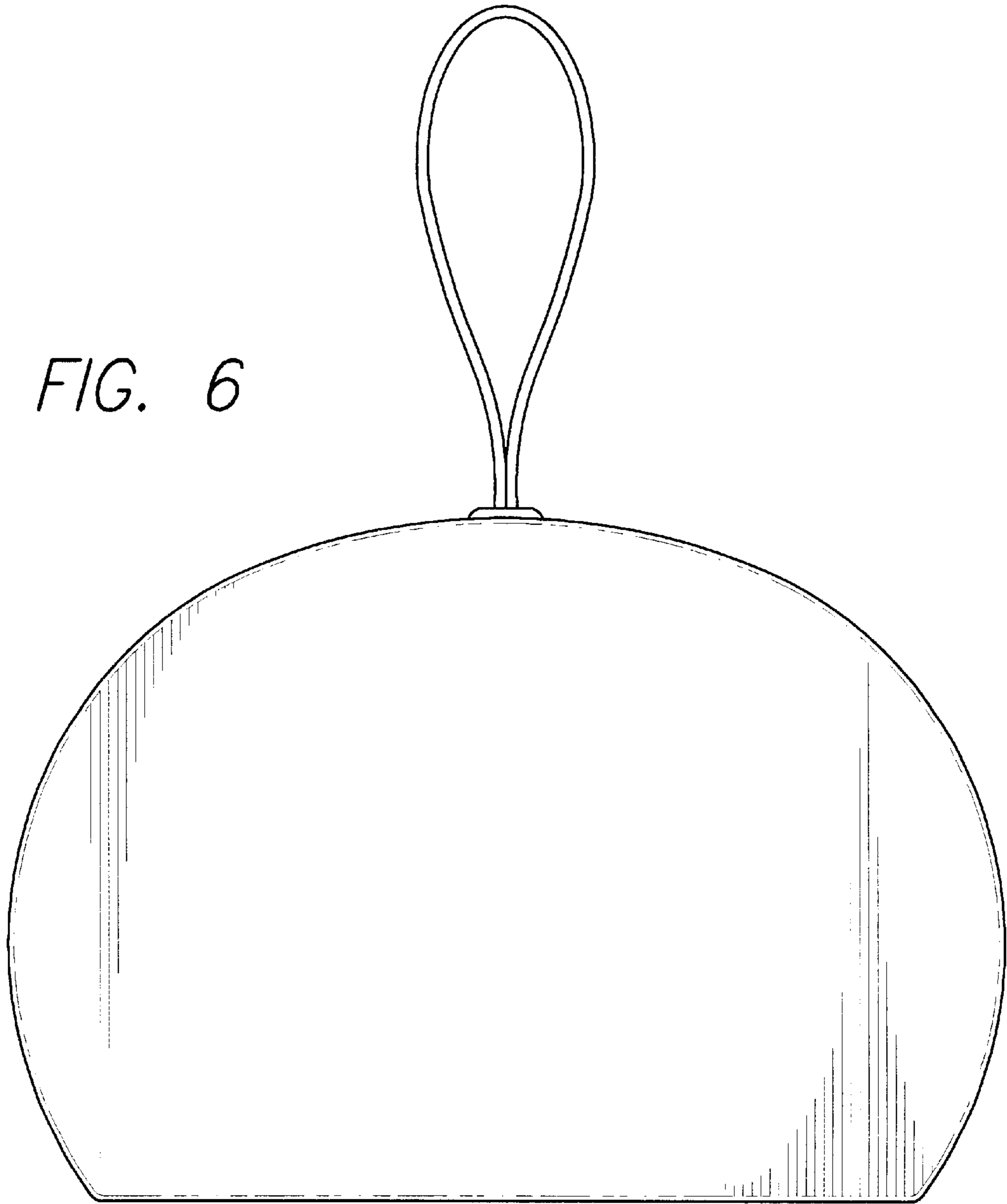


FIG. 6



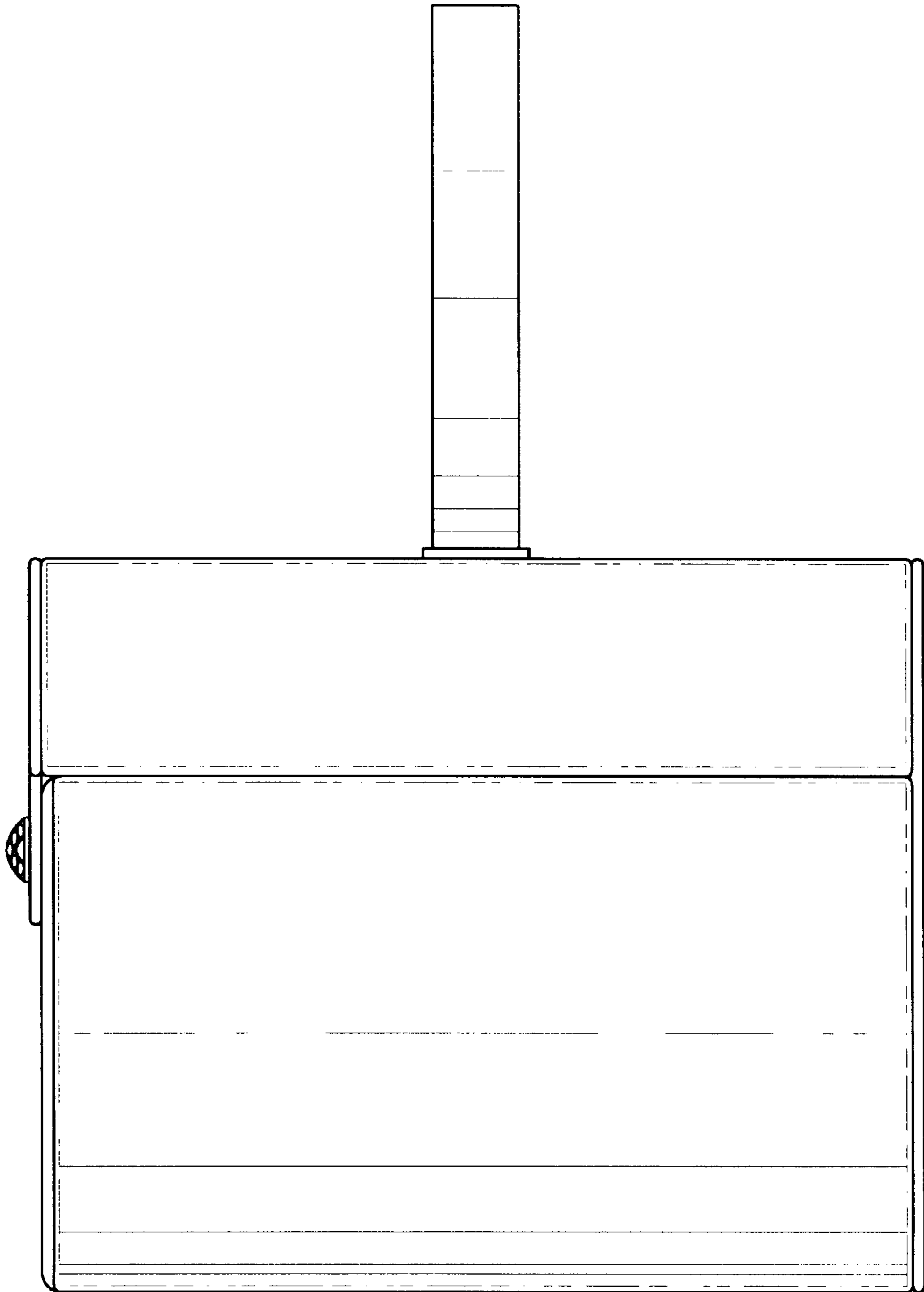


FIG. 7