



US00D482196S

(12) **United States Design Patent**  
**Cabrera et al.**

(10) **Patent No.:** **US D482,196 S**

(45) **Date of Patent:** **\*\* Nov. 18, 2003**

(54) **TOOL BELT AND POUCHES**

D450,449 S \* 11/2001 Godshaw et al. .... D3/228

(76) Inventors: **Juan Pablo Cabrera**, #1 Mallory Ln.,  
San Antonio, TX (US) 78257; **Daniel F. Cabana**, 20810 Glen Cove, Garden  
Ridge, TX (US) 78266

\* cited by examiner

*Primary Examiner*—Catherine R. Oliver  
(74) *Attorney, Agent, or Firm*—Gunn, Lee & Hanor, PC

(\*\*) Term: **14 Years**

(57) **CLAIM**

The ornamental design for a tool belt and pouches, as shown and described.

(21) Appl. No.: **29/172,637**

(22) Filed: **Dec. 16, 2002**

**DESCRIPTION**

(51) **LOC (7) Cl.** ..... **03-01**

(52) **U.S. Cl.** ..... **D3/228**

(58) **Field of Search** ..... D3/228, 226, 224,  
D3/215; 224/904, 668, 240, 660, 676, 677,  
678, 576, 577, 682; 206/373

FIG. 1 is a front perspective view of the tool belt and pouches showing our new design.

FIG. 2 is a top view thereof.

FIG. 3 is a front elevational view thereof.

FIG. 4 is a left side elevational view thereof.

FIG. 5 is a right side elevational view thereof.

FIG. 6 is a rear elevational view thereof; and,

FIG. 7 is a bottom view thereof.

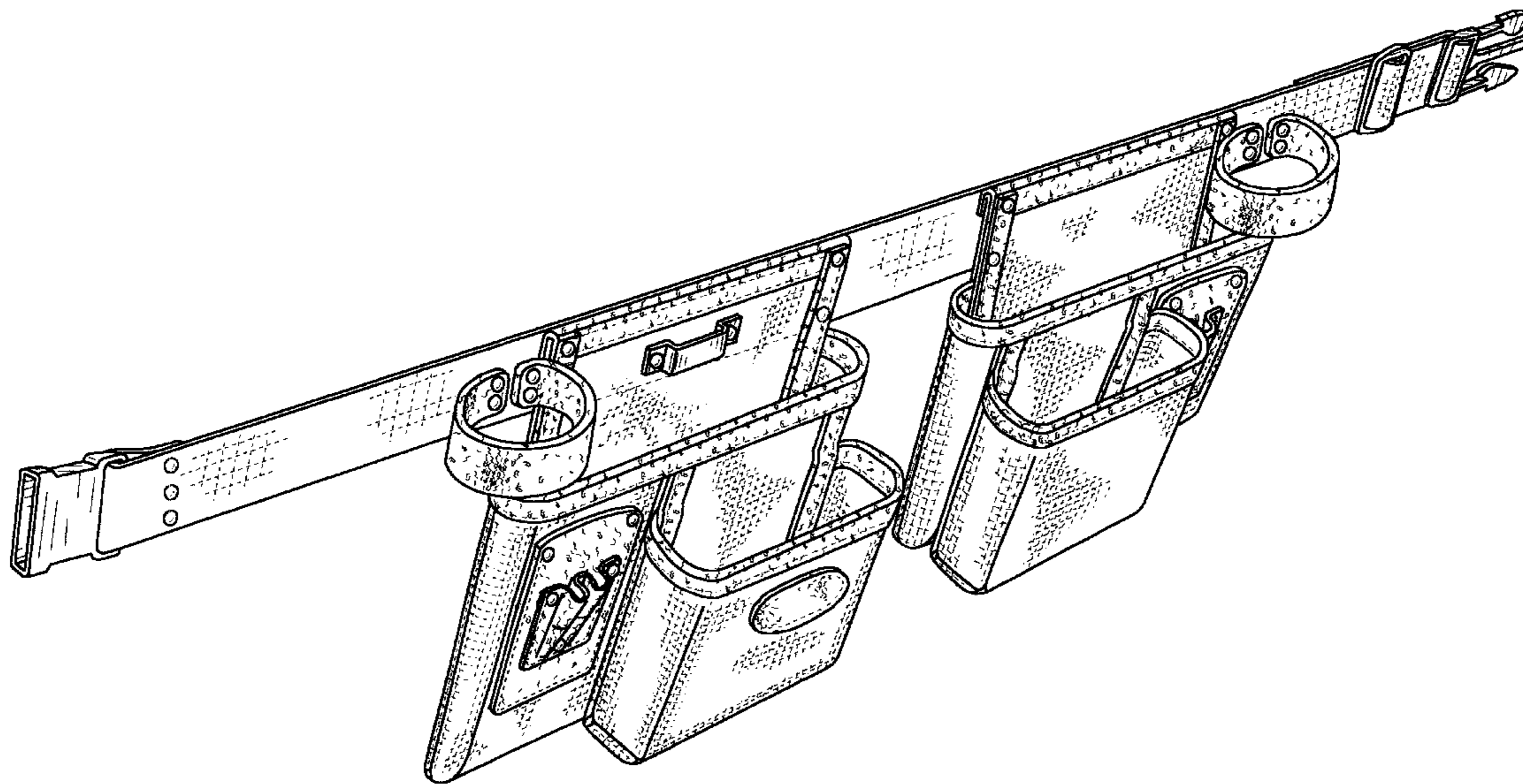
The tool belt and pouches are made from a combination of cloth and leather.

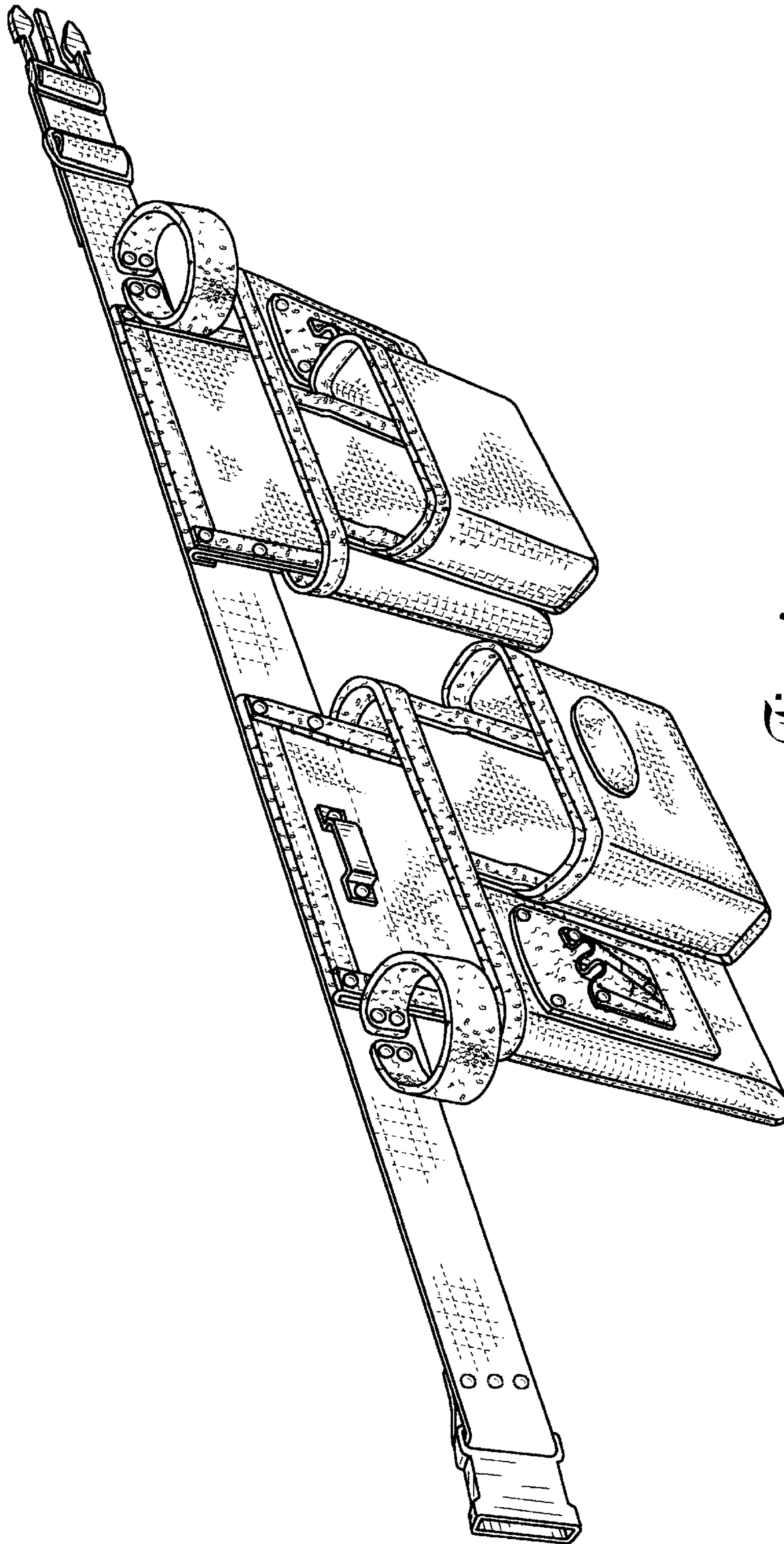
(56) **References Cited**

**U.S. PATENT DOCUMENTS**

D348,983 S \* 7/1994 Dancyger ..... D3/224  
D350,849 S \* 9/1994 Dancyger ..... D3/228  
6,179,185 B1 \* 1/2001 Dancyger ..... 224/576

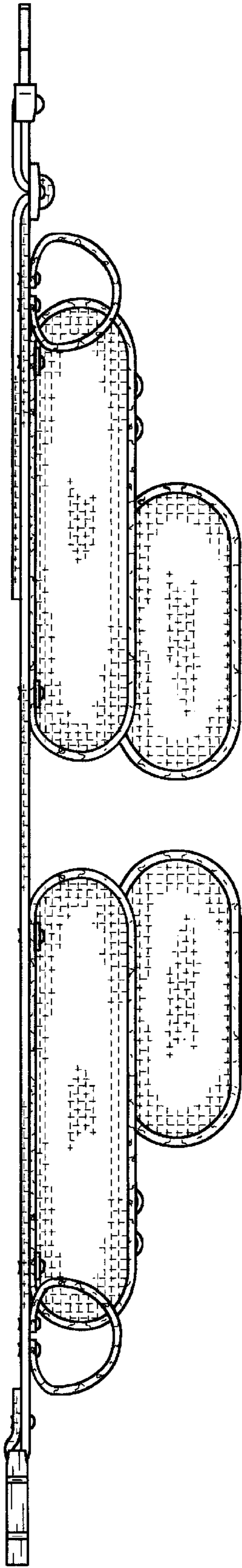
**1 Claim, 4 Drawing Sheets**



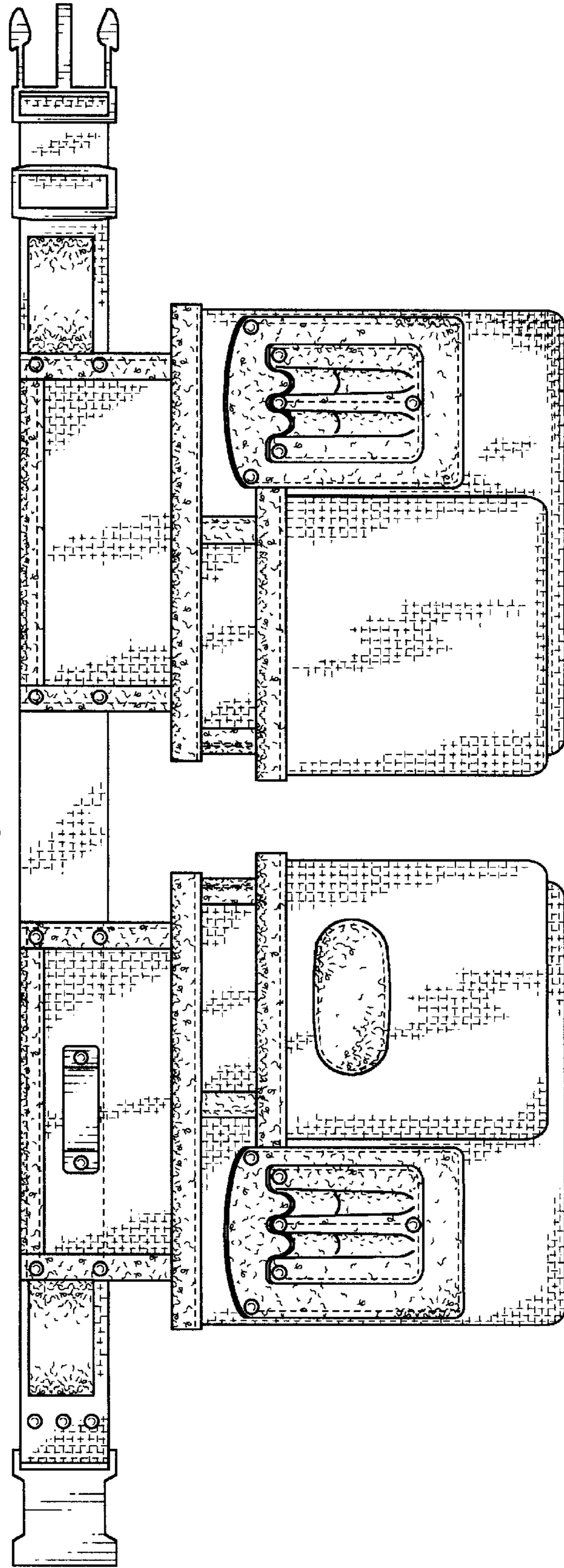


*Fig. 1*





*Fig. 2*



*Fig. 3*

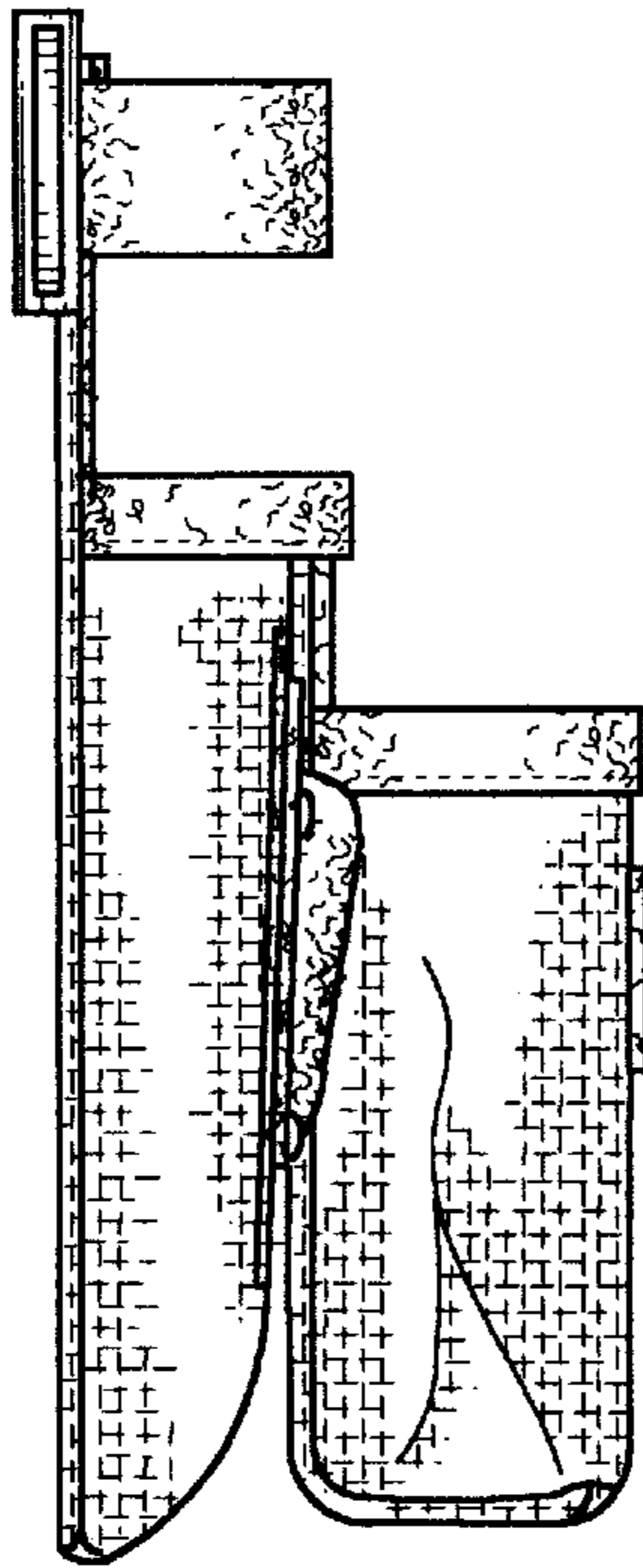


Fig. 4

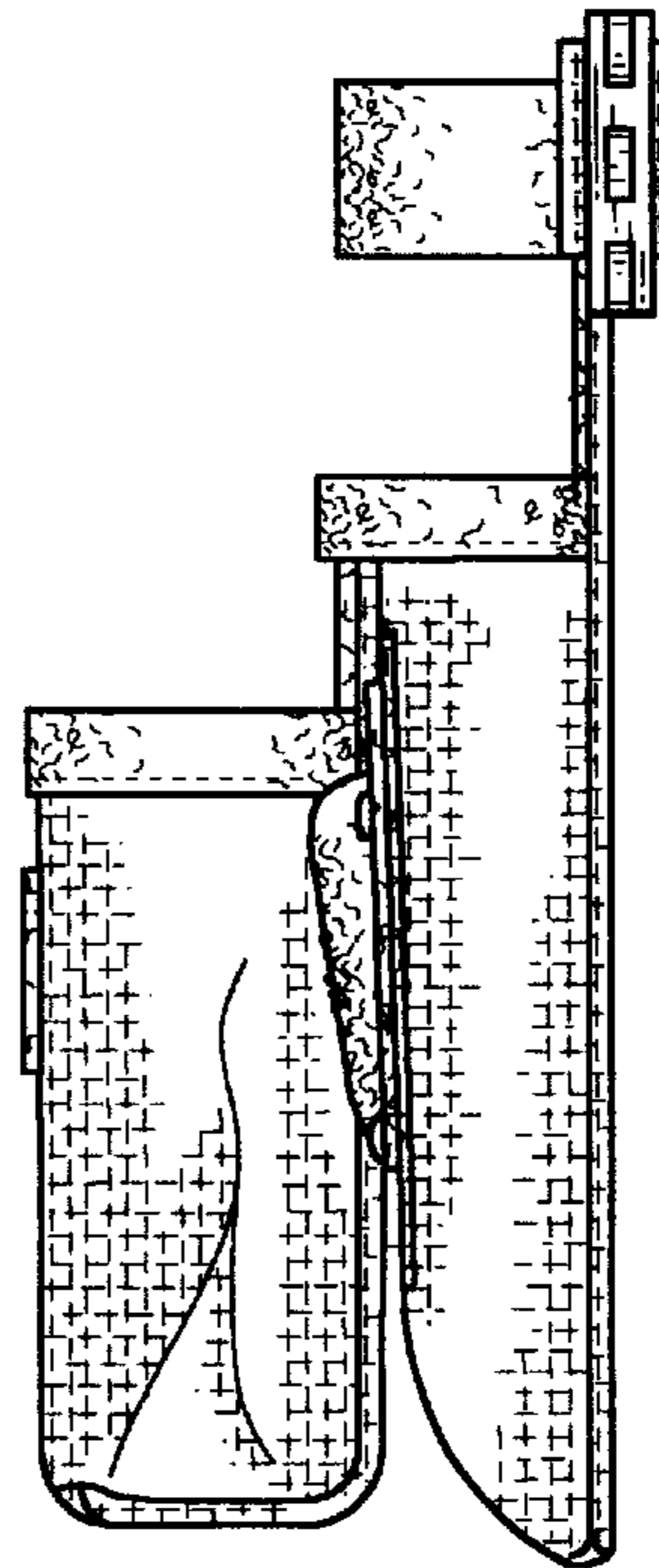


Fig. 5

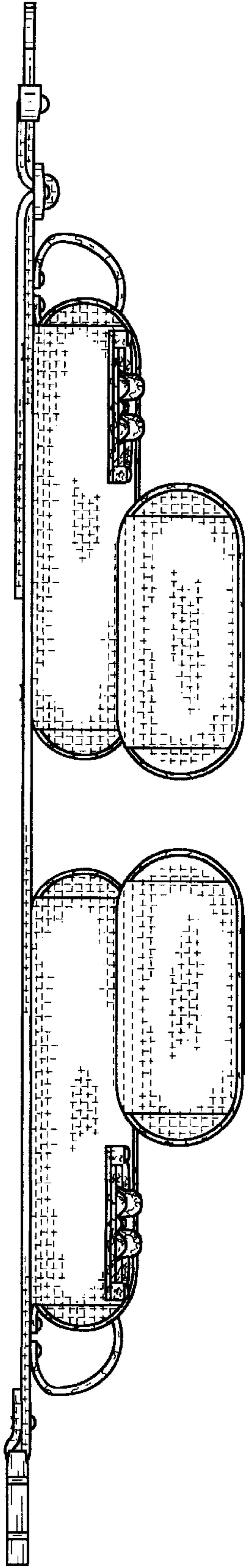


Fig. 7

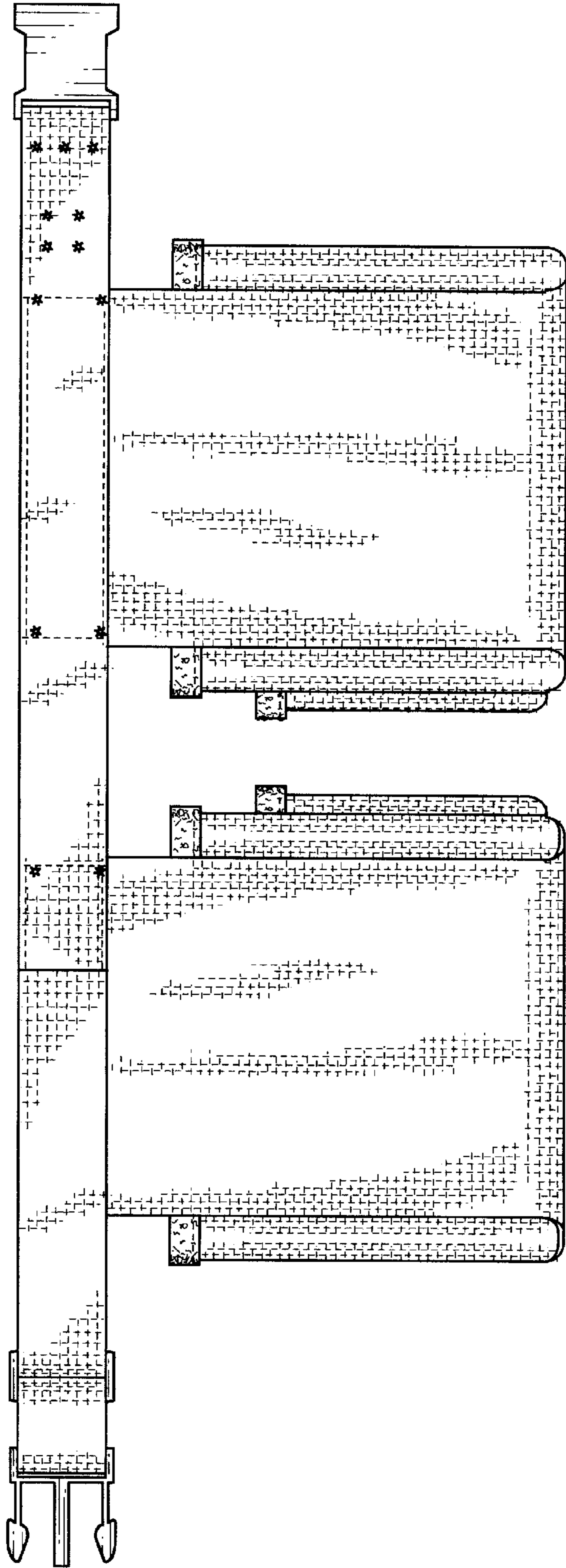


Fig. 6