



US00D482192S

(12) **United States Design Patent**
Lewicki

(10) **Patent No.:** **US D482,192 S**

(45) **Date of Patent:** **** Nov. 18, 2003**

(54) **FOREARM CANE**

(76) Inventor: **Pawel Lewicki**, 2300 E. 14th St., Tulsa, OK (US) 74104

(**) Term: **14 Years**

(21) Appl. No.: **29/168,157**

(22) Filed: **Sep. 26, 2002**

(51) **LOC (7) Cl.** **03-03**

(52) **U.S. Cl.** **D3/7**

(58) **Field of Search** D3/7, 8, 10, 12, D3/13, 14, 16; 135/65, 66, 67, 68, 71, 72, 73, 75, 76, 77, 82, 910, 911

(56) **References Cited**

U.S. PATENT DOCUMENTS

5,331,989	A	*	7/1994	Stephens	135/65
5,671,765	A	*	9/1997	Hagberg, Jr.	135/68
D426,377	S	*	6/2000	Barnes et al.	D3/7
6,286,529	B1	*	9/2001	Olivera	135/82

* cited by examiner

Primary Examiner—Louis S. Zarfaz
Assistant Examiner—Robert A. Delehanty

(57) **CLAIM**

The ornamental design for a forearm cane, as shown and described.

DESCRIPTION

FIG. 1 is a front perspective view of a forearm cane showing my new design broken away for clarity of illustration; FIG. 2 is a rear perspective view thereof shown broken away for clarity of illustration; FIG. 3 is a left side view thereof (the right side view being a mirror image thereof); FIG. 4 is a front view thereof; FIG. 5 is a rear view thereof; FIG. 6 is a top view thereof; and, FIG. 7 is a bottom view thereof.

The broken line showing of a crutch tip is for illustrative purposes only and forms no part of the claimed design.

1 Claim, 2 Drawing Sheets

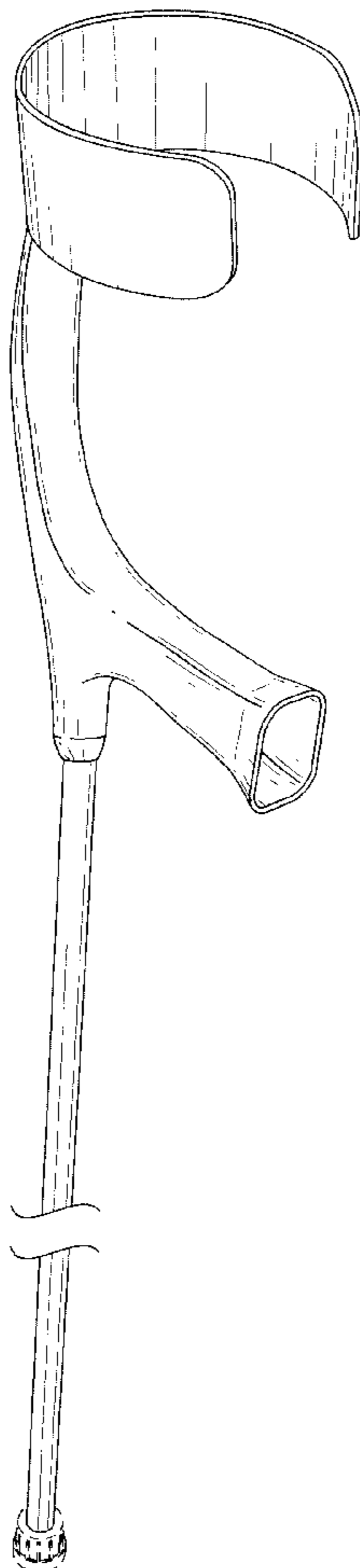


FIG. 1

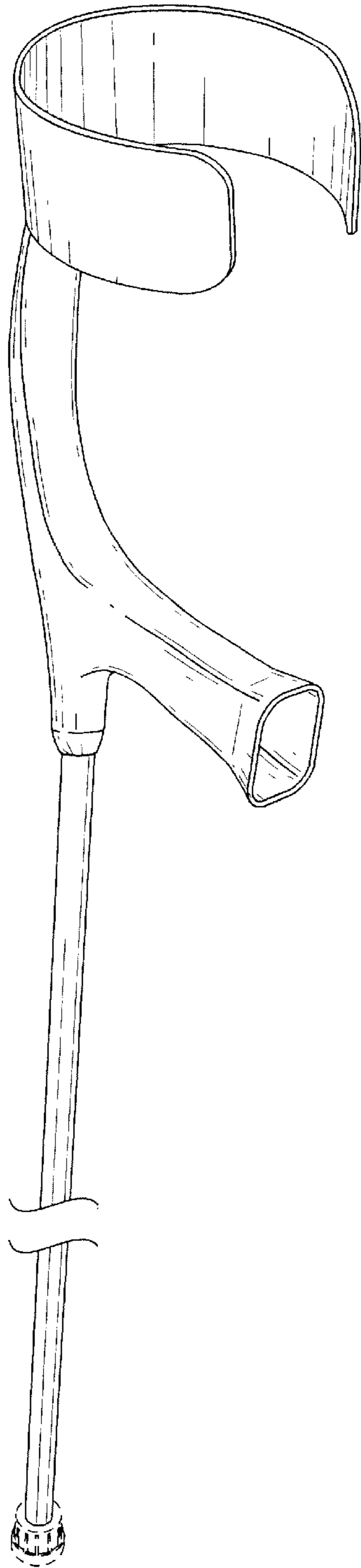


FIG. 2

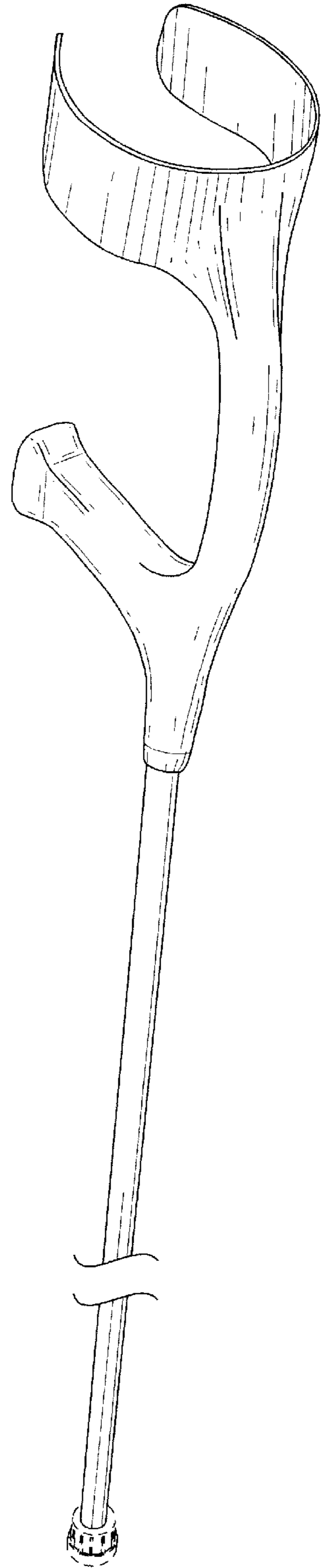


FIG. 3

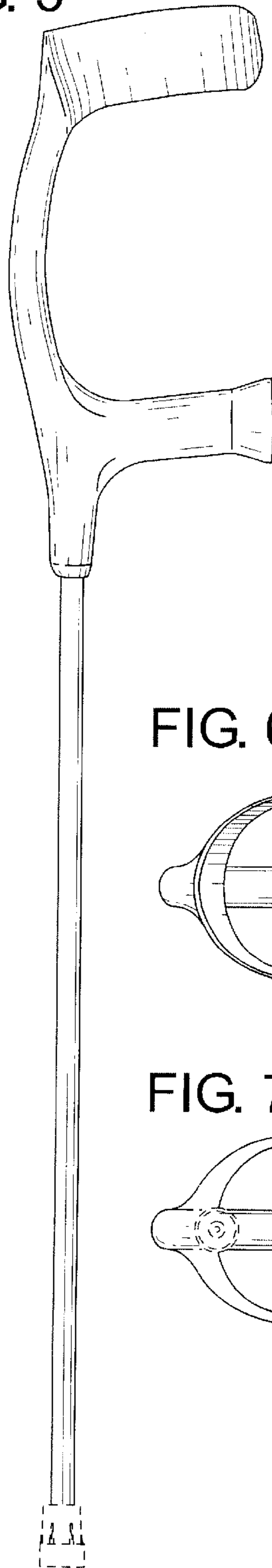


FIG. 4

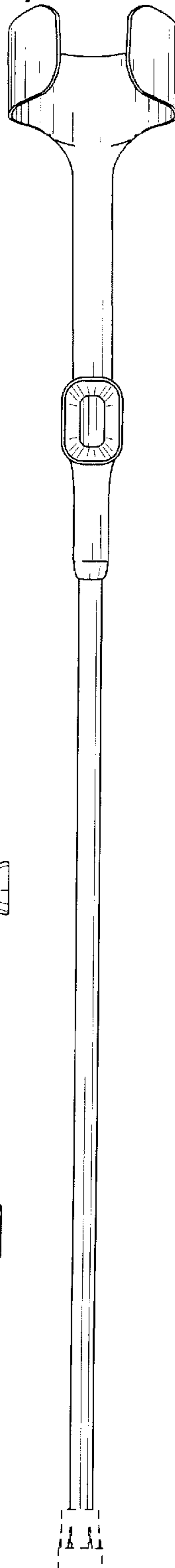


FIG. 5

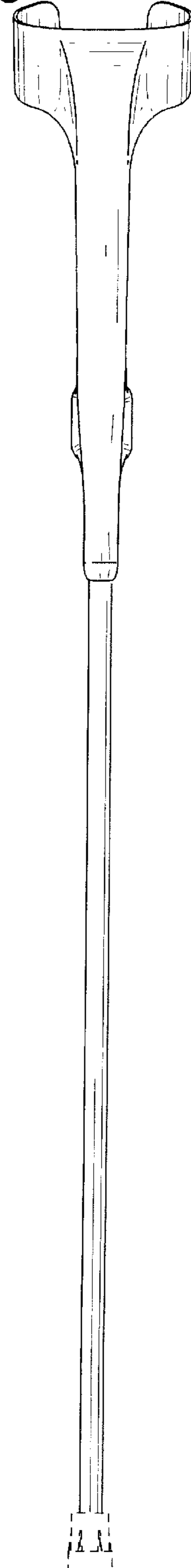


FIG. 6

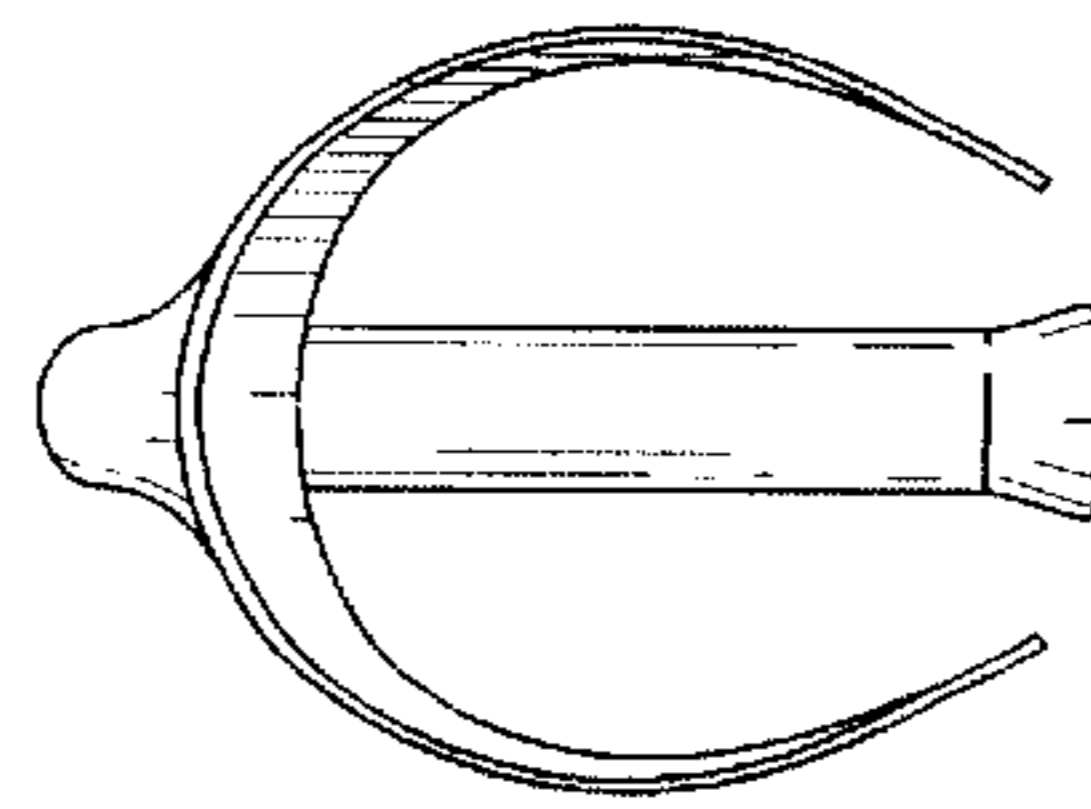


FIG. 7

