



US00D482185S

(12) **United States Design Patent**
Park

(10) **Patent No.:** **US D482,185 S**

(45) **Date of Patent:** **** Nov. 18, 2003**

(54) **WINDING VISOR**

(76) Inventor: **Boo YI Park**, 56-3 Shin donga Apt.
A-7, Yangjae-Dong Seocho-Ku, Seoul
(KR)

(**) Term: **14 Years**

(21) Appl. No.: **29/160,093**

(22) Filed: **May 6, 2002**

(51) **LOC (7) Cl.** **02-03**

(52) **U.S. Cl.** **D2/876**

(58) **Field of Search** D2/865, 866, 871,
D2/872, 873, 875, 876, 879, 882, 893;
2/171, 181, 195.1, 195.2, 209.12, 209.13;
D29/100, 109

(56) **References Cited**

U.S. PATENT DOCUMENTS

4,277,847	A	*	7/1981	Florio	2/12
D282,118	S	*	1/1986	Mengwasser	D2/871
5,099,524	A	*	3/1992	Linday	2/181
5,901,370	A		5/1999	Linday		
6,016,572	A		1/2000	Park		
6,049,911	A		4/2000	Bromberg		
6,163,888	A		12/2000	Park		
6,199,213	B1		3/2001	Whang		
D459,059	S	*	6/2002	Park	D2/876
6,408,443	B1	*	6/2002	Park	2/195.1

OTHER PUBLICATIONS

Visor #1, p. 280, Hongkong Enterprise, vol. 5, catalog 1983.*

Visor #2, p. 270, Hongkong Enterprise, vol. 7, catalog 1980.*

* cited by examiner

Primary Examiner—Robert M. Spear

Assistant Examiner—Mimosa De

(57) **CLAIM**

The ornamental design for “winding visor”, as shown and described.

DESCRIPTION

FIG. 1 is a perspective view of “winding visor” showing my new design

FIG. 2 is a top plan view of FIG. 1;

FIG. 3 is a front elevational view of FIG. 1;

FIG. 4 is a right side elevational view of FIG. 1: the left side is a mirror image.

FIG. 5 is a right side elevational view of FIG. 1 showing shape of my new design when worn.

FIG. 6 is a rear view of FIG. 1; and,

FIG. 7 is a bottom plan view of FIG. 1.

The broken lines shown on the winding visor represent stitching.

1 Claim, 3 Drawing Sheets

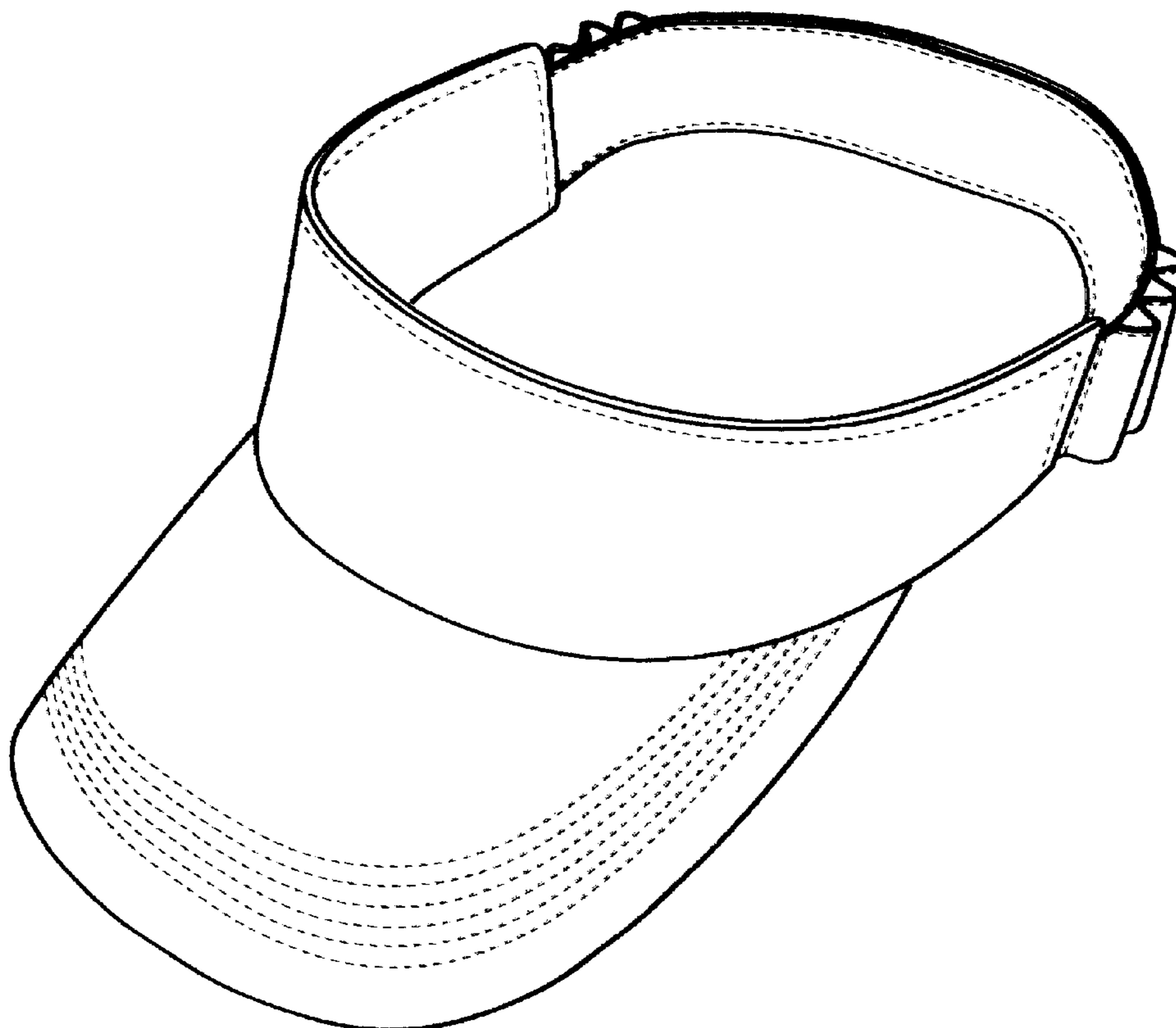


FIG. 1

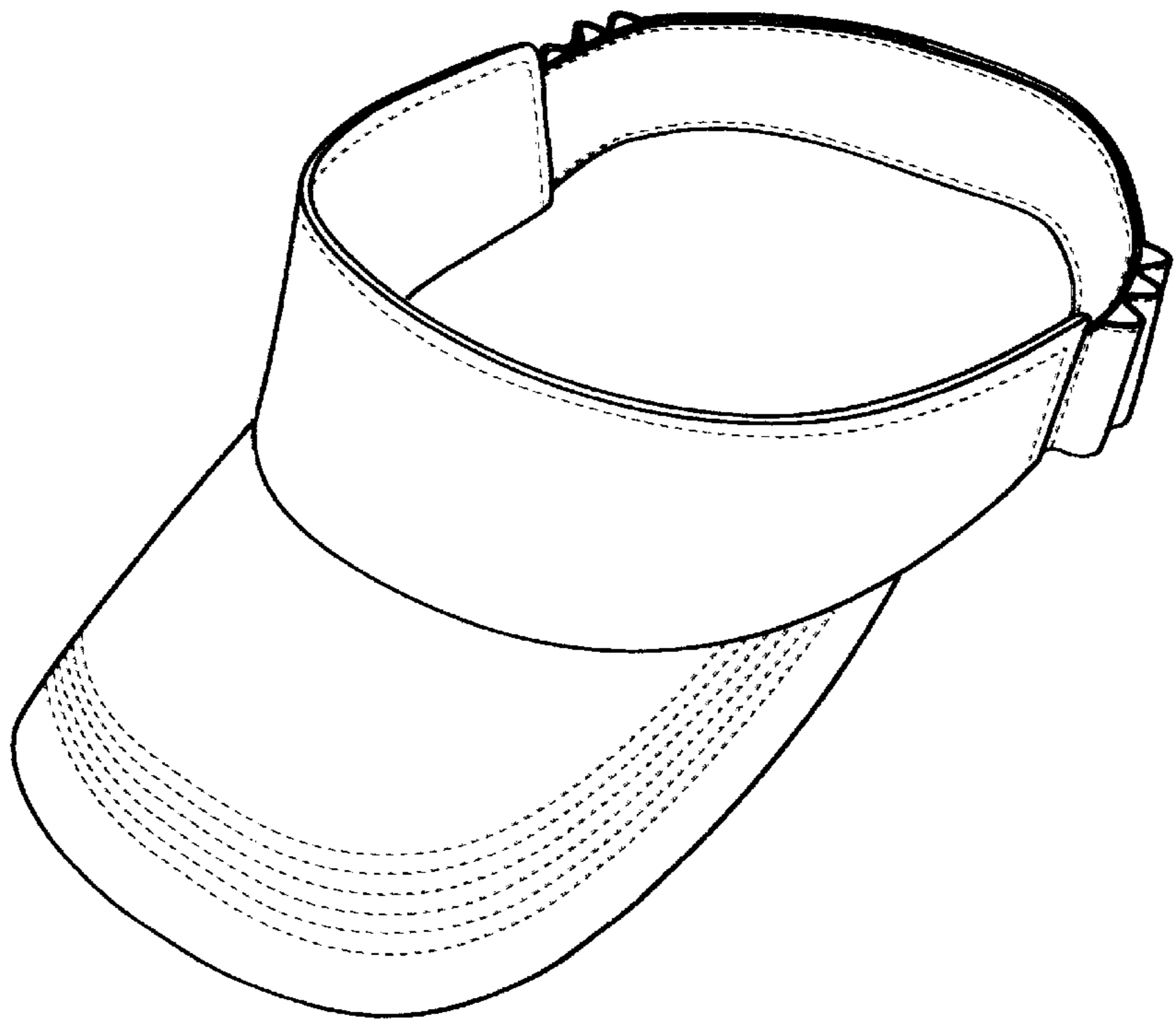


FIG. 2

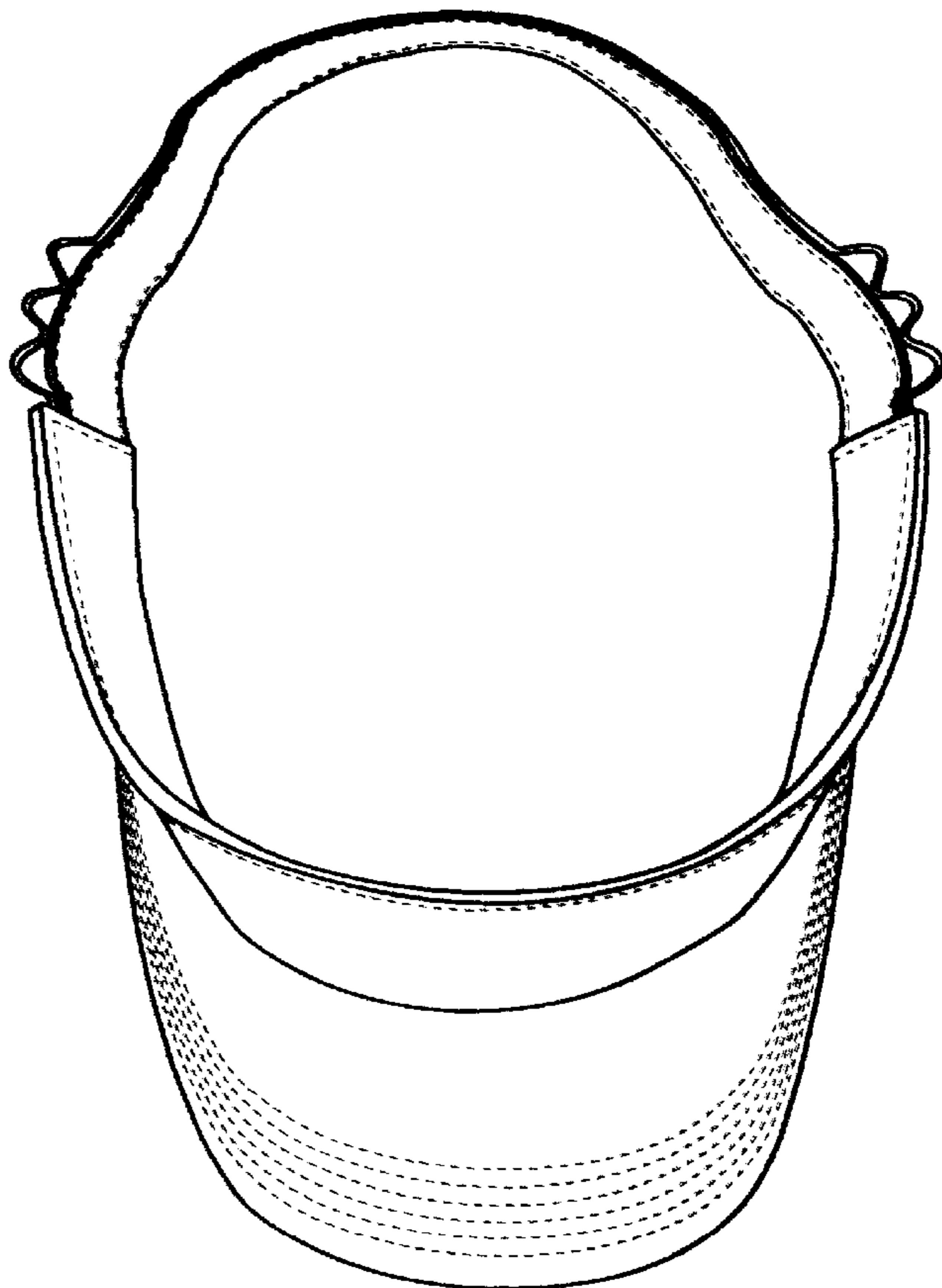


FIG. 3

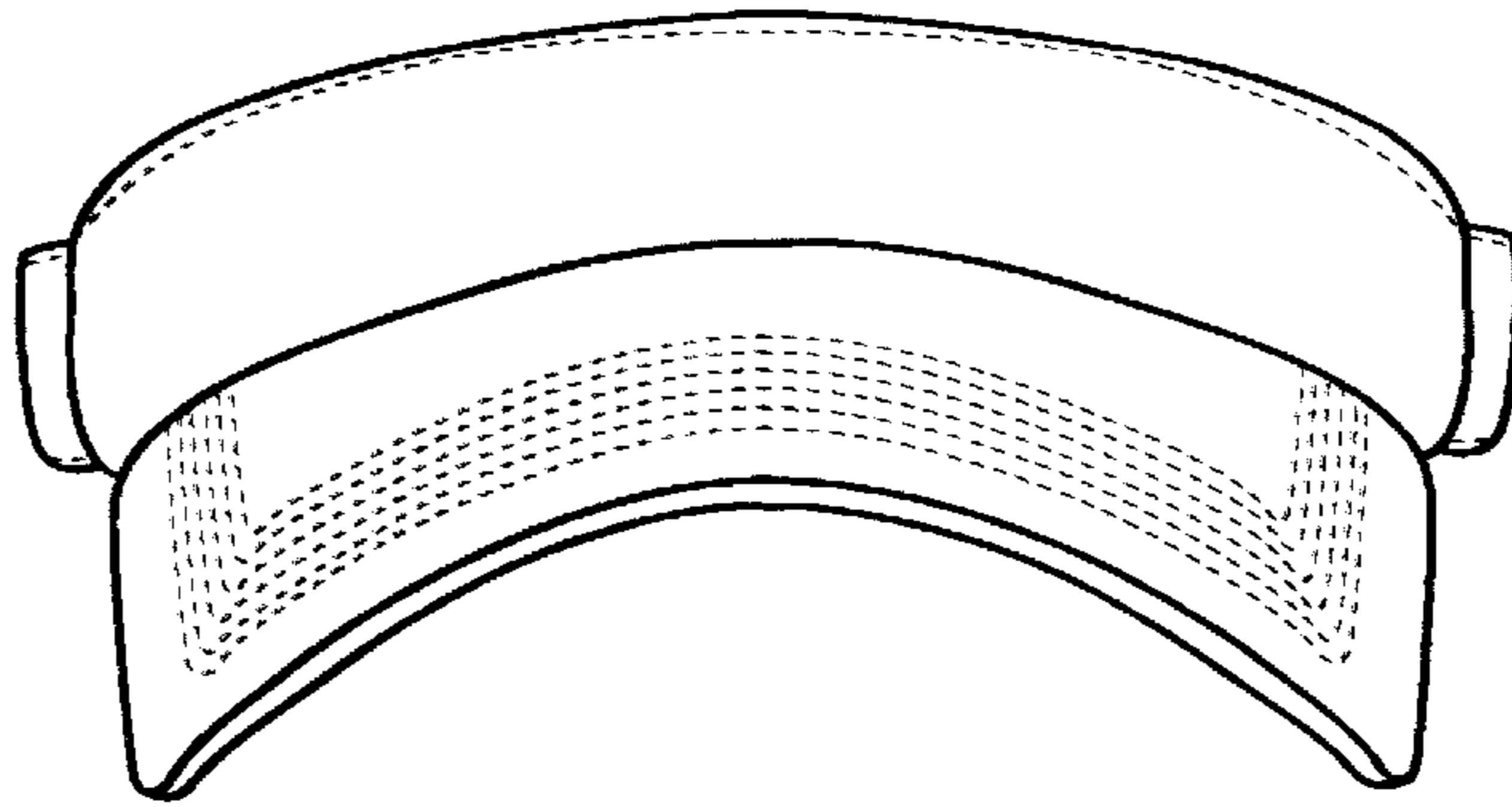


FIG. 4

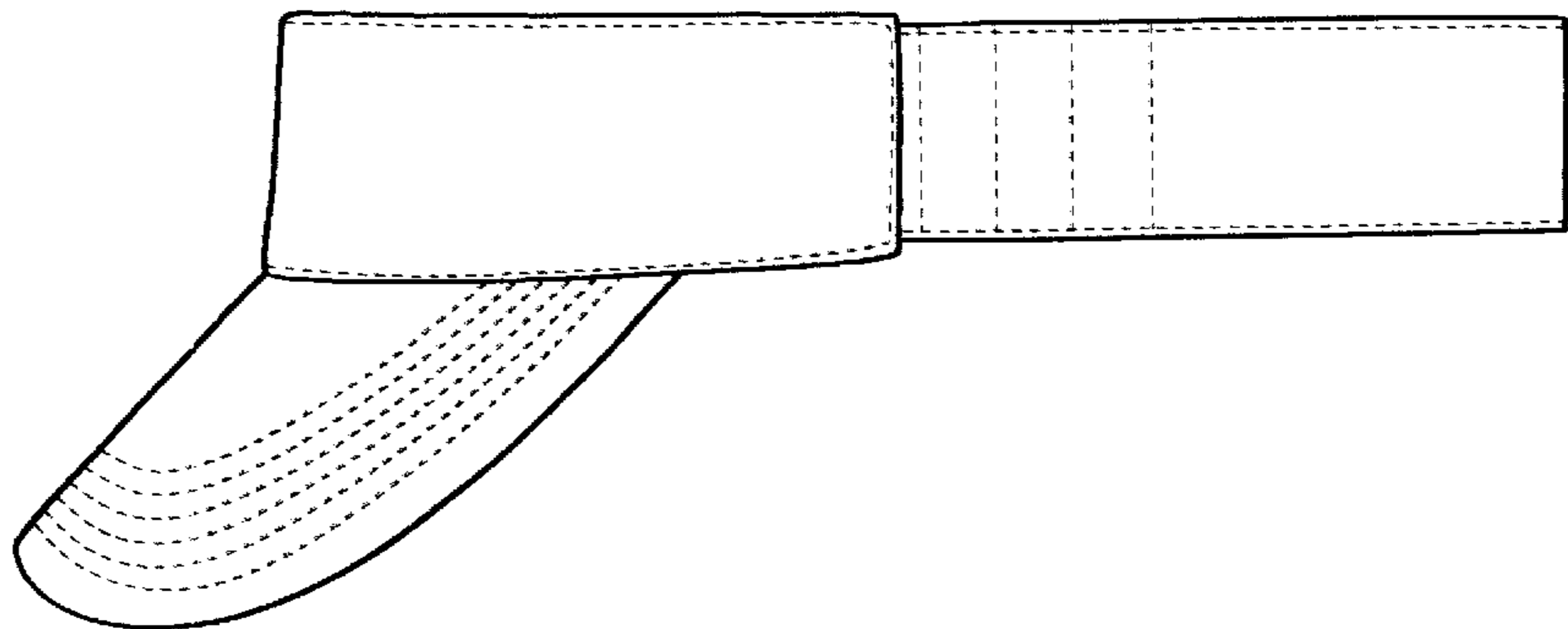


FIG. 5

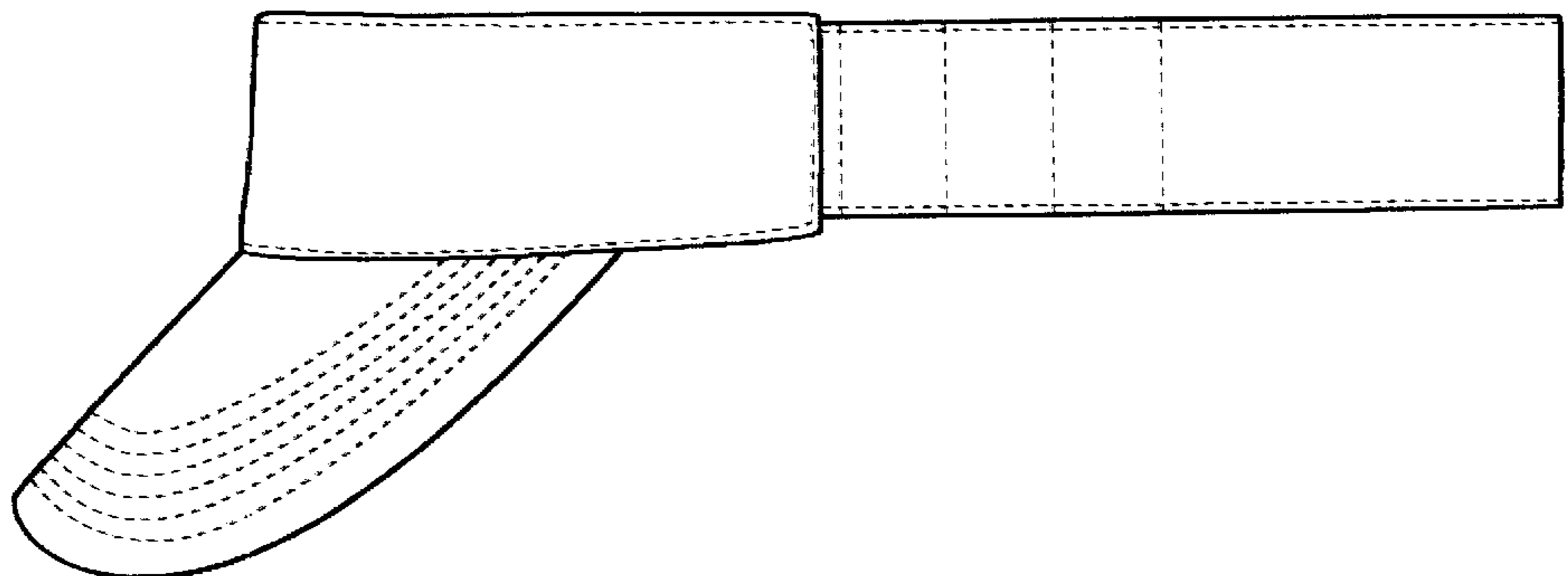


FIG. 6

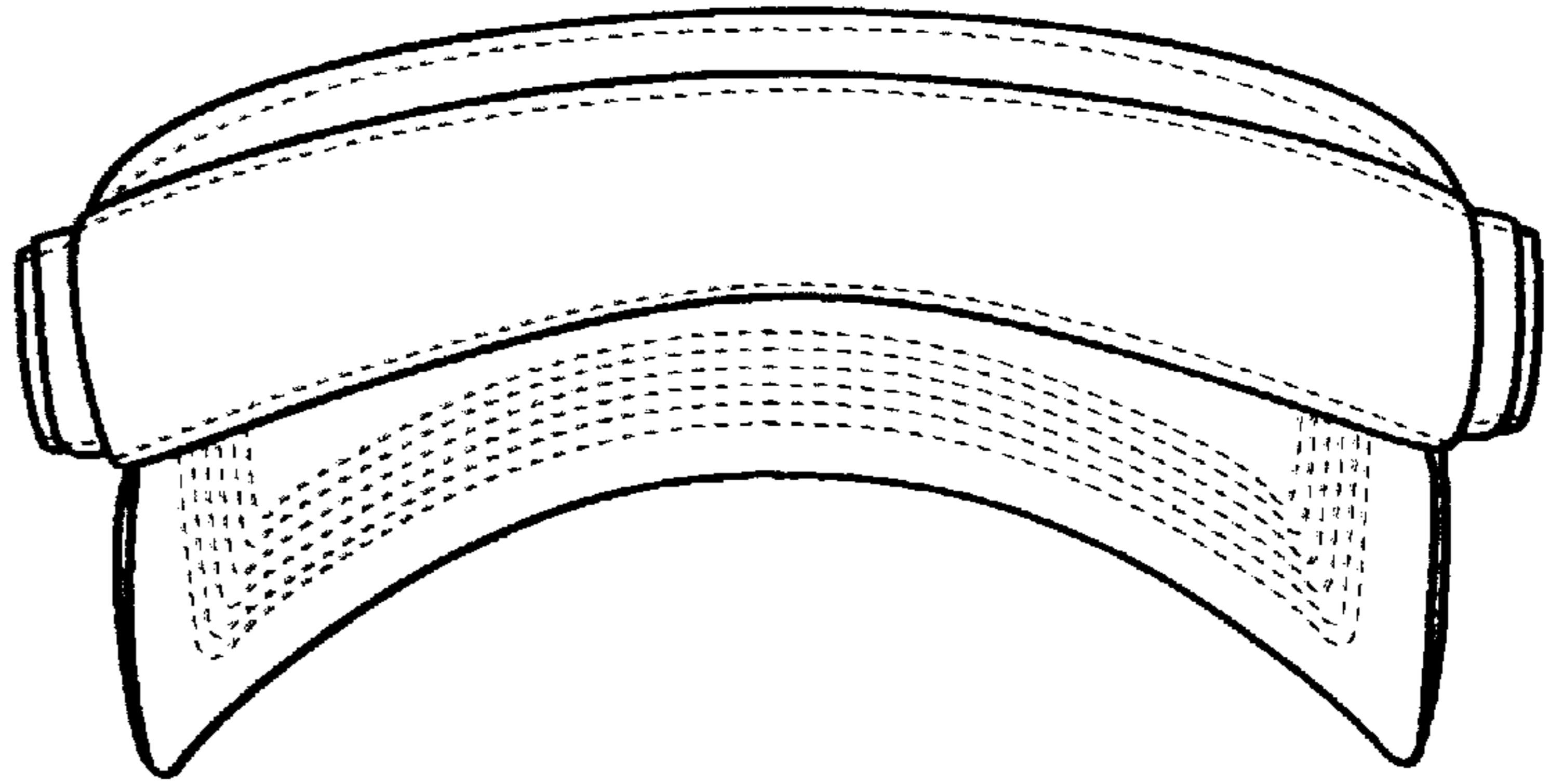


FIG. 7

